



US00D635031S

(12) **United States Design Patent**  
**Themann**

(10) **Patent No.:** **US D635,031 S**  
(45) **Date of Patent:** **\*\* Mar. 29, 2011**

- (54) **JAR**
- (75) Inventor: **Friederike Themann**, Vechta (DE)
- (73) Assignee: **Bruni Glass S.p.A.**, Trezzano Sul Naviglio (IT)
- (\*\*) Term: **14 Years**
- (21) Appl. No.: **29/354,557**
- (22) Filed: **Jan. 26, 2010**
- (30) **Foreign Application Priority Data**  
Jul. 30, 2009 (WO) ..... 001155980-0028
- (51) **LOC (9) Cl.** ..... **09-01**
- (52) **U.S. Cl.** ..... **D9/544; D9/560; D9/520; D9/571**
- (58) **Field of Classification Search** ..... D9/516,  
D9/520, 544, 546, 559, 560, 566, 569, 571,  
D9/575, 563, 565; 215/379, 381-385; 220/600,  
220/602, 608, 660, 662, 665, 669, 604, 605,  
220/606, 609, 623, 624, 674, 675  
See application file for complete search history.

- D262,518 S \* 1/1982 Cottrell ..... D9/520
- 4,724,855 A \* 2/1988 Jackson et al. .... 134/93
- D319,658 S \* 9/1991 Yamamoto et al. .... D18/43
- 5,092,474 A \* 3/1992 Leigner ..... 215/381
- D339,291 S \* 9/1993 Leigner ..... D9/520
- 5,261,544 A \* 11/1993 Weaver, Jr. .... 215/384
- D391,855 S \* 3/1998 Fenton et al. .... D9/521
- 5,855,304 A \* 1/1999 Dean et al. .... 222/481
- D426,469 S \* 6/2000 Mankowski et al. .... D9/541
- D436,469 S \* 1/2001 Idaszak et al. .... D6/480
- 6,299,007 B1 \* 10/2001 Takeuchi ..... 215/373
- 6,706,345 B1 \* 3/2004 Yoon ..... 428/35.7
- D497,553 S \* 10/2004 Mitchell ..... D9/545
- 6,896,156 B2 \* 5/2005 McDonald et al. .... 222/109
- D512,276 S \* 12/2005 Betras ..... D7/624.2
- D515,940 S \* 2/2006 Kratko ..... D9/745
- D531,913 S \* 11/2006 Heisner et al. .... D9/560
- D535,566 S \* 1/2007 Lin ..... D9/560
- D537,492 S \* 2/2007 Paolucci et al. .... D21/707
- D540,688 S \* 4/2007 Lascaux ..... D9/560
- D540,689 S \* 4/2007 Dorfmueller ..... D9/560
- D555,488 S \* 11/2007 Marton ..... D9/544
- D558,583 S \* 1/2008 Langbein et al. .... D9/560

(Continued)

*Primary Examiner* — Stella M Reid  
*Assistant Examiner* — Elizabeth J Oswecki  
(74) *Attorney, Agent, or Firm* — Kirschstein, et al.

(56) **References Cited**

U.S. PATENT DOCUMENTS

- 536,442 A \* 3/1895 Morton ..... 220/665
- D31,235 S \* 7/1899 Low ..... D9/560
- D36,656 S \* 12/1903 Ritz ..... D9/560
- D39,215 S \* 3/1908 Garrett ..... D9/560
- D56,983 S \* 1/1921 Lewis ..... D9/560
- 1,611,443 A \* 12/1926 Hothersall ..... 222/542
- D72,687 S \* 5/1927 Vionnet ..... D9/560
- D86,656 S \* 4/1932 Barbiers ..... D9/560
- D101,563 S \* 10/1936 Smith ..... D9/560
- 2,097,690 A \* 11/1937 Ferngren ..... 229/406
- D171,516 S \* 2/1954 Otto ..... D9/560
- D214,663 S \* 7/1969 Brickley ..... D9/560
- D217,435 S \* 5/1970 Wire ..... D9/560
- 3,992,811 A \* 11/1976 Yellin ..... 47/69

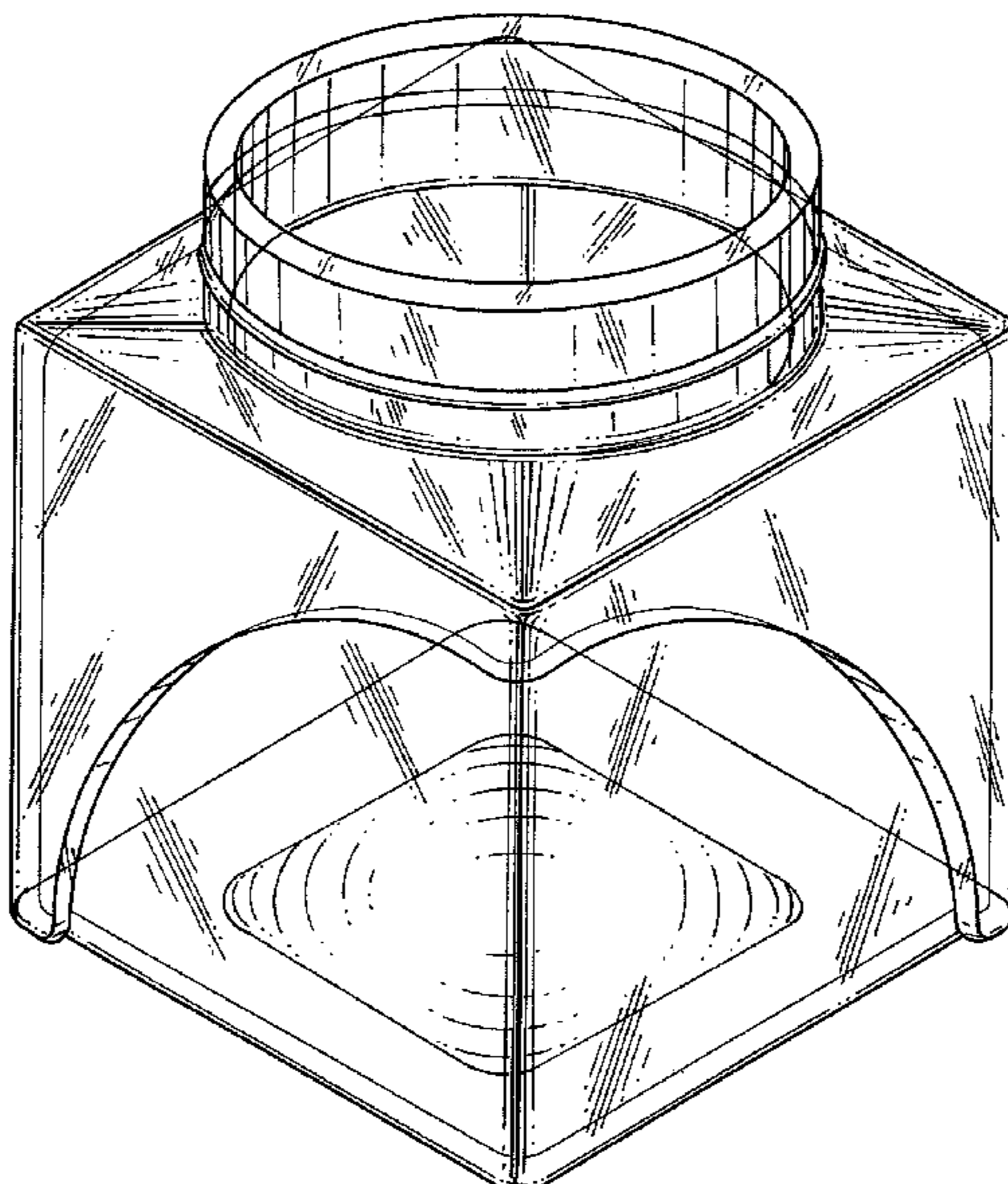
(57) **CLAIM**

The ornamental design for a jar, as shown and described.

**DESCRIPTION**

FIG. 1 is a perspective view of a jar according to my new design;  
FIG. 2 is a top plan view thereof;  
FIG. 3 is a front elevational view thereof;  
FIG. 4 is a rear elevational view thereof;  
FIG. 5 is a left side elevational view thereof;  
FIG. 6 is a right side elevational view thereof; and,  
FIG. 7 is a bottom plan view thereof.

**1 Claim, 4 Drawing Sheets**



# US D635,031 S

Page 2

---

## U.S. PATENT DOCUMENTS

D558,584 S *	1/2008	Blank .....	D9/560	D604,174 S *	11/2009	Rica .....	D9/560
D577,292 S *	9/2008	Moretti .....	D9/560	D604,630 S *	11/2009	Canamasas Puigbo .....	D9/560
D579,784 S *	11/2008	Varlet .....	D9/546	D613,177 S *	4/2010	Lee .....	D9/560
D580,773 S *	11/2008	Rica .....	D9/574	2010/0270255 A1 *	10/2010	Penny .....	215/44
D603,716 S *	11/2009	Rica .....	D9/560				

\* cited by examiner

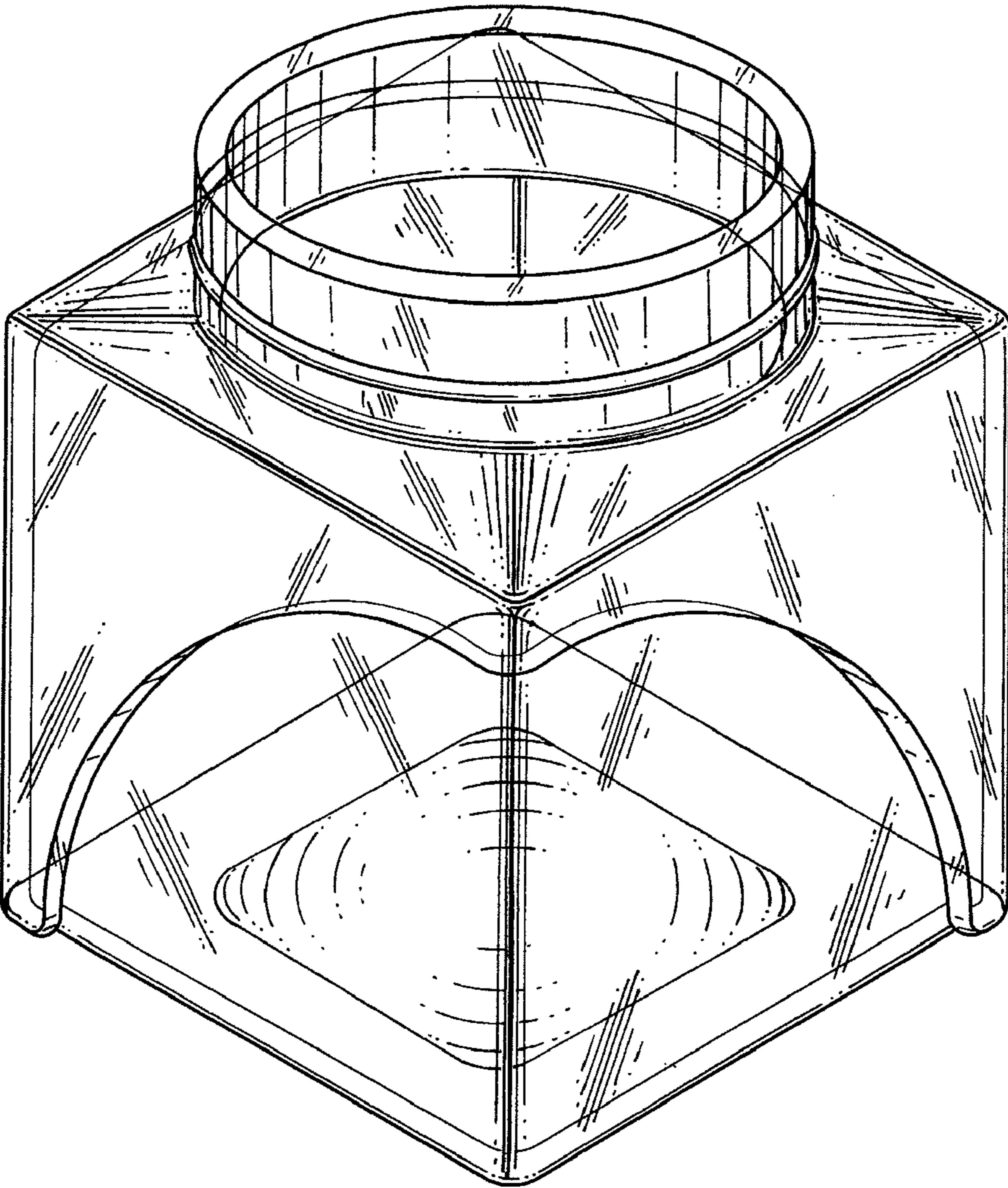


FIG. 1

FIG. 2

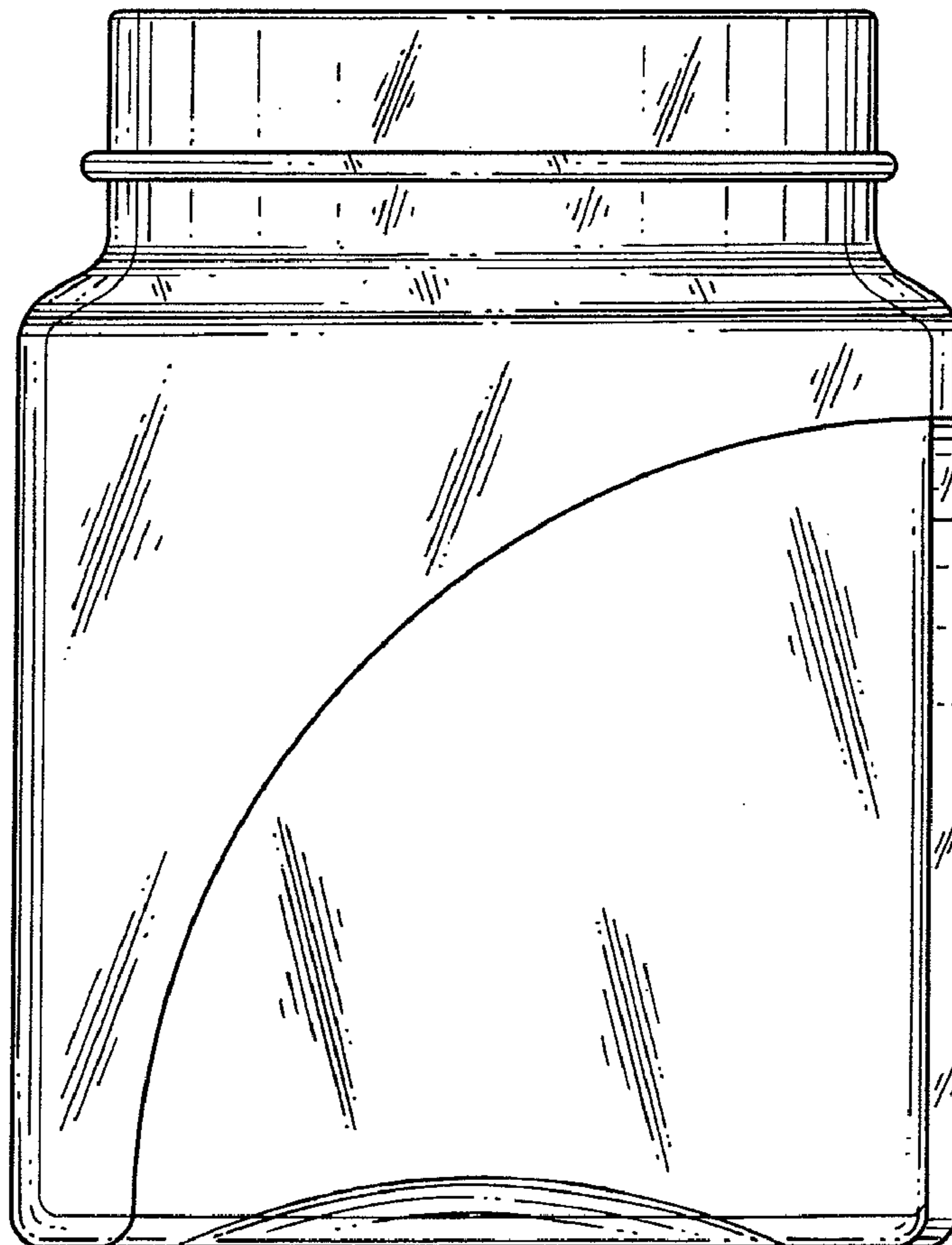
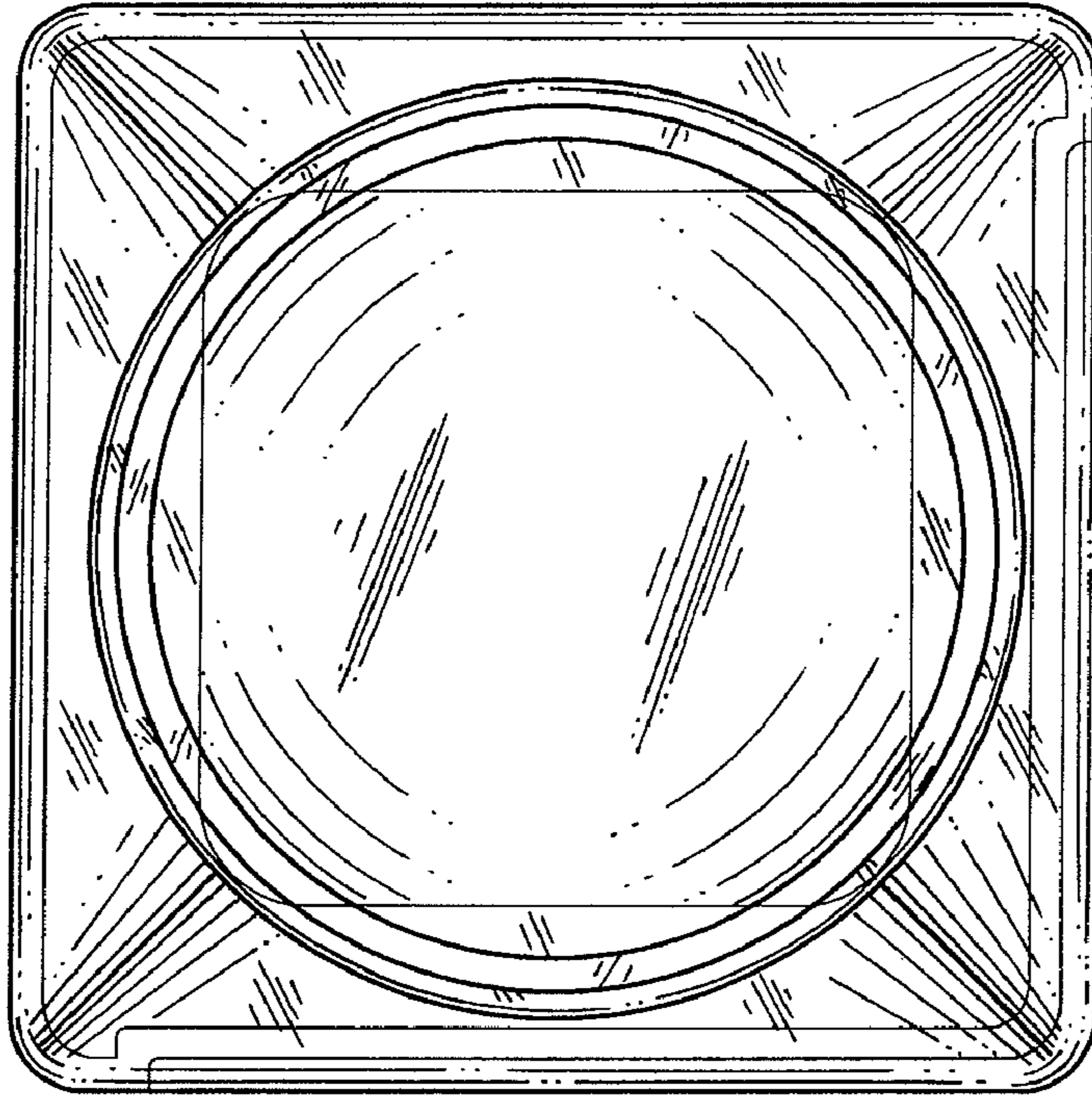


FIG. 3

FIG. 4

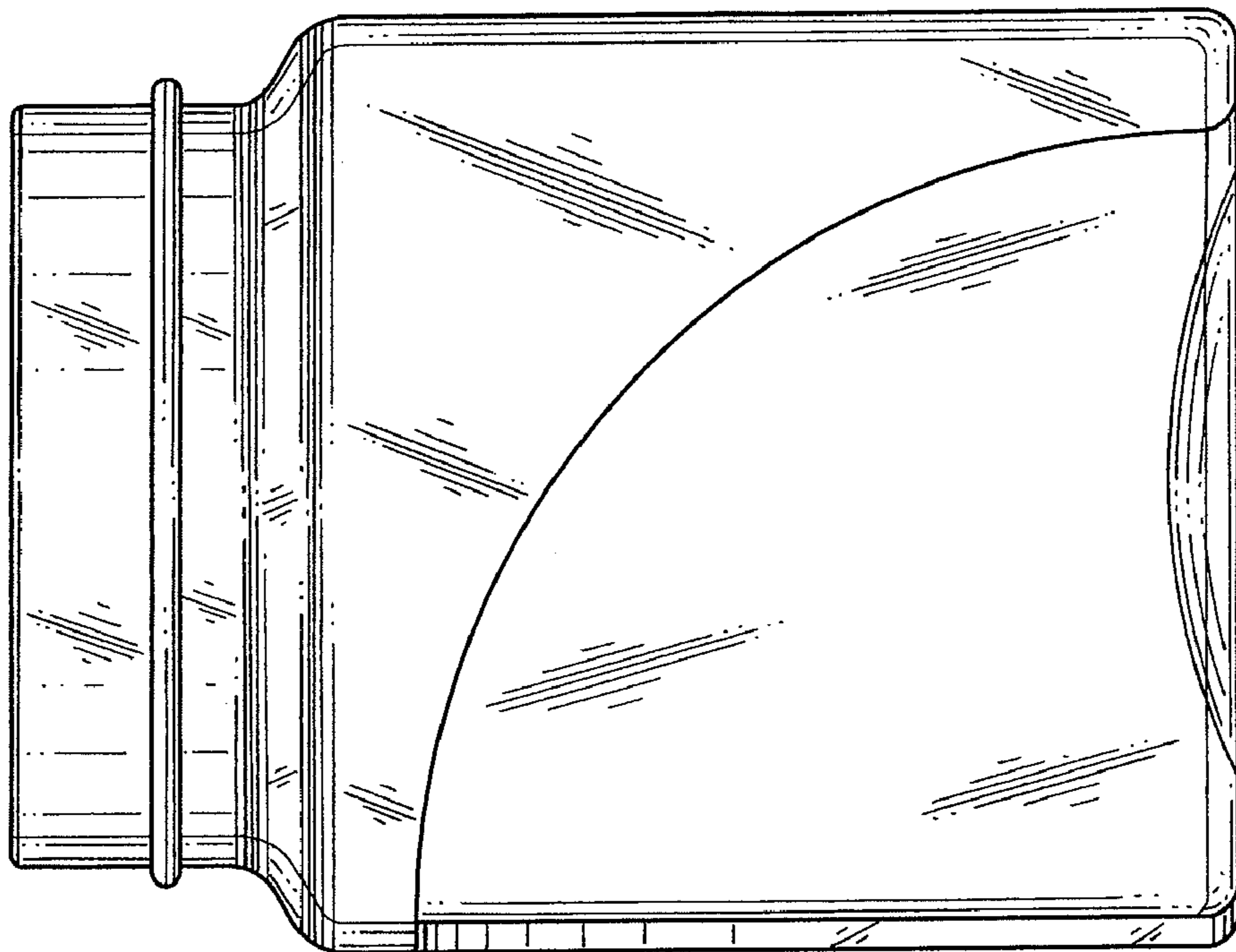
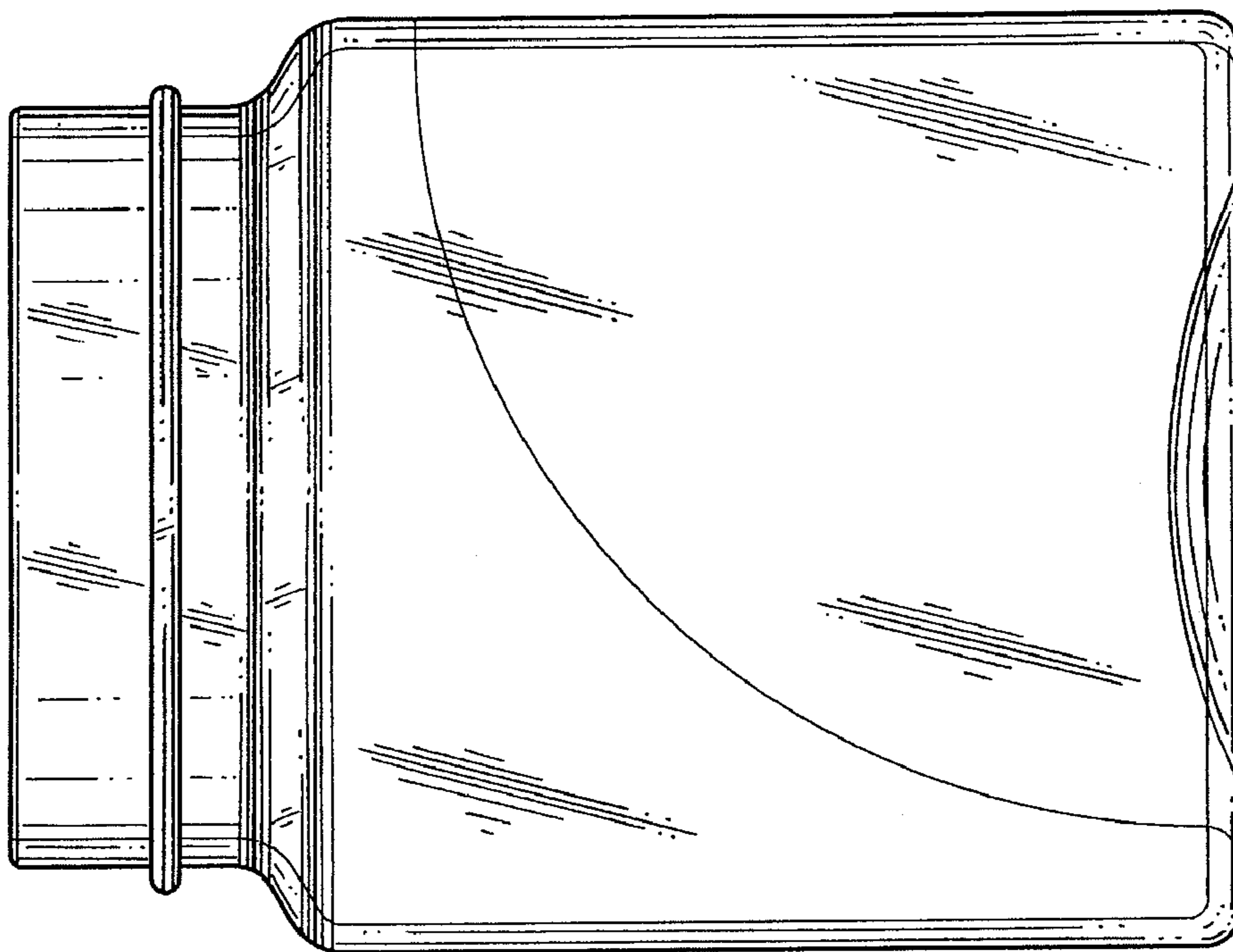


FIG. 5

FIG. 6

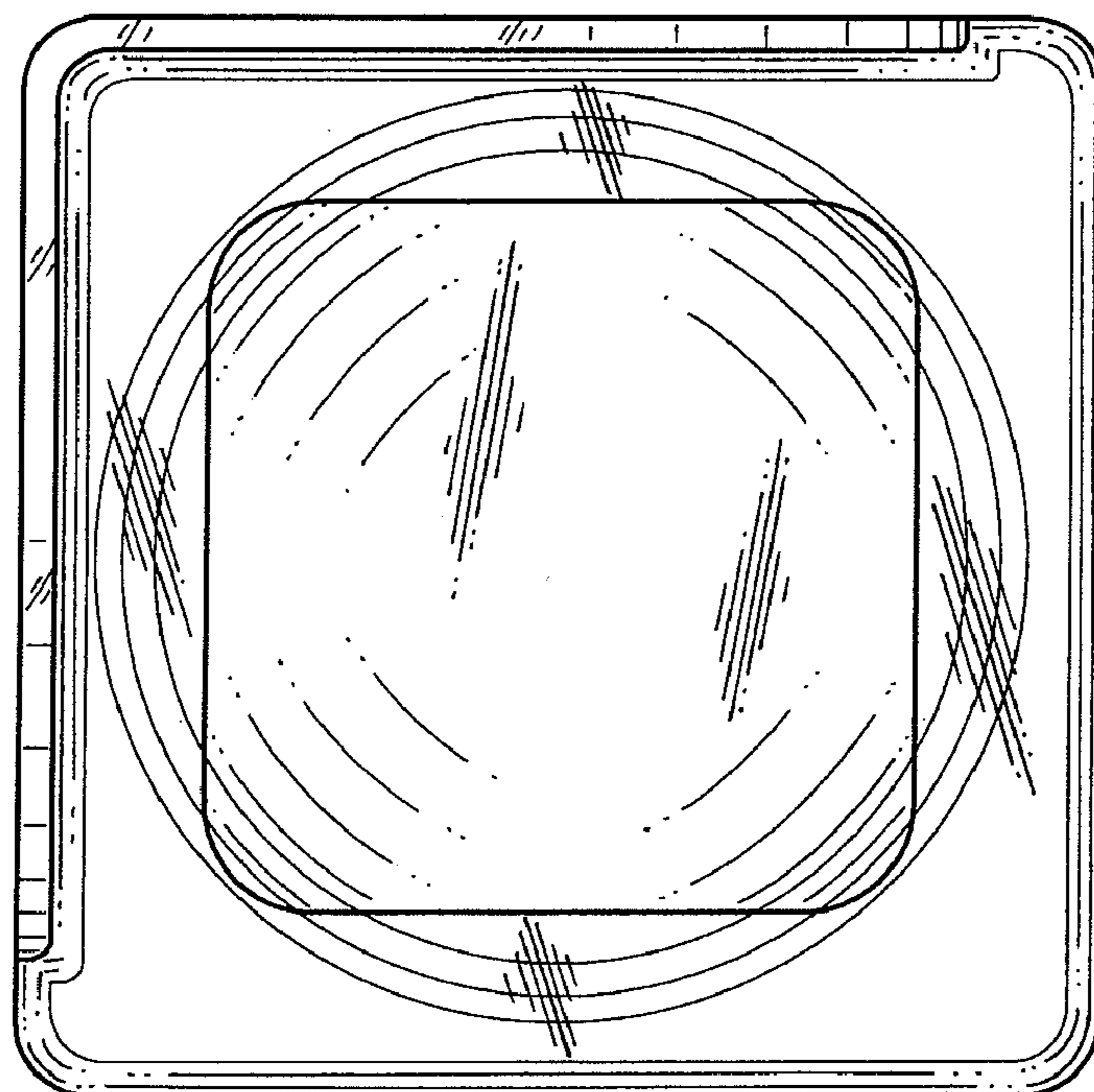
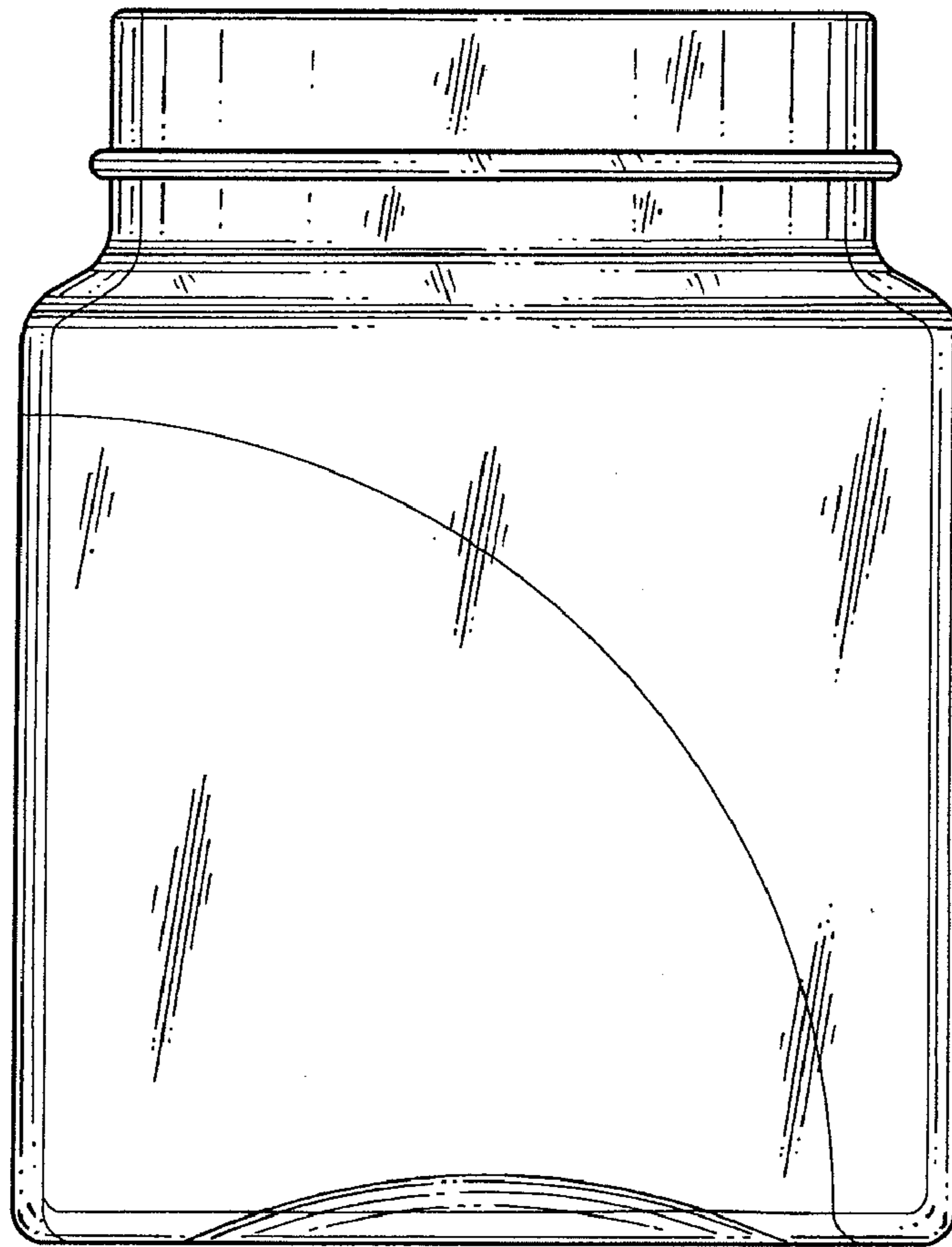


FIG. 7