

US00D635029S

(12) **United States Design Patent**
Warren

(10) **Patent No.:** **US D635,029 S**
(45) **Date of Patent:** **** Mar. 29, 2011**

(54) **CONTAINER**

(75) Inventor: **William Irvin Warren**, Dunn, NC (US)

(73) Assignee: **Warren Oil Company, Inc.**, Dunn, NC (US)

(**) Term: **14 Years**

(21) Appl. No.: **29/354,023**

(22) Filed: **Jan. 19, 2010**

(51) **LOC (9) Cl.** **09-01**

(52) **U.S. Cl.** **D9/523**; D9/541; D9/563; D9/564;
D9/569; D9/570; D9/571

(58) **Field of Classification Search** D9/682,
D9/685, 686, 687, 693, 694, 516, 520, 522,
D9/523, 530, 541-543, 560, 563, 564, 569,
D9/570, 571, 575; 215/379, 381-385; 220/600,
220/608, 609, 660, 669, 675

See application file for complete search history.

(56) **References Cited**

U.S. PATENT DOCUMENTS

D194,071 S *	11/1962	Anderson	D9/523
3,232,495 A *	2/1966	Schneider	222/209
3,804,280 A *	4/1974	van Amerongen et al.	...	215/384
D289,376 S *	4/1987	Nemits	D9/523
D302,522 S *	8/1989	Charboneau et al.	D9/523
D303,628 S *	9/1989	Beaver	D9/523
D304,159 S *	10/1989	Kleinert	D9/523
4,872,571 A *	10/1989	Crecelius et al.	222/541.1
4,877,142 A *	10/1989	Doering	215/382
5,007,565 A *	4/1991	Richter et al.	222/481
D325,521 S *	4/1992	Fischer et al.	D9/523
5,101,870 A *	4/1992	Farris	141/343
5,121,845 A *	6/1992	Blanchard	215/232
5,246,126 A *	9/1993	Lewis, Jr.	215/303
D352,904 S *	11/1994	Kearse et al.	D9/523
D354,684 S *	1/1995	Lathrop et al.	D9/523
D354,916 S *	1/1995	Park	D9/523
D356,262 S *	3/1995	Lathrop et al.	D9/523
D356,504 S *	3/1995	Saltz	D9/523
D377,760 S *	2/1997	Hot	D9/523
D378,058 S *	2/1997	Meisner et al.	D9/523

D379,308 S *	5/1997	Beaver	D9/523
D384,882 S *	10/1997	Tabaroni et al.	D9/696
D397,291 S *	8/1998	Tabaroni et al.	D9/696
D399,750 S *	10/1998	Pikul	D9/523
5,915,578 A *	6/1999	Burt	215/250
D413,515 S *	9/1999	Skolnicki et al.	D9/520
D432,021 S *	10/2000	Caughey et al.	D9/543
D473,794 S *	4/2003	Ouillette et al.	D9/523
D477,783 S *	7/2003	Gilmore et al.	D9/523
D479,803 S *	9/2003	Alguire et al.	D9/523
D484,056 S *	12/2003	Wiper	D9/523
D485,186 S *	1/2004	Wiper	D9/523
D485,187 S *	1/2004	Stinedurf	D9/523
D486,396 S *	2/2004	Stinedurf	D9/523
6,772,911 B2 *	8/2004	Gee et al.	222/83
D510,870 S *	10/2005	Kelly et al.	D9/523
D543,852 S *	6/2007	Warren	D9/523
D577,588 S *	9/2008	Yourist	D9/523
D581,796 S *	12/2008	Padain et al.	D9/523
D604,165 S *	11/2009	Gilbert	D9/528
D605,048 S *	12/2009	Smith, III	D9/523
D613,172 S *	4/2010	Masters et al.	D9/523

* cited by examiner

Primary Examiner — Stella M Reid

Assistant Examiner — Elizabeth J Oswecki

(74) *Attorney, Agent, or Firm* — Coats & Bennett, P.L.L.C.

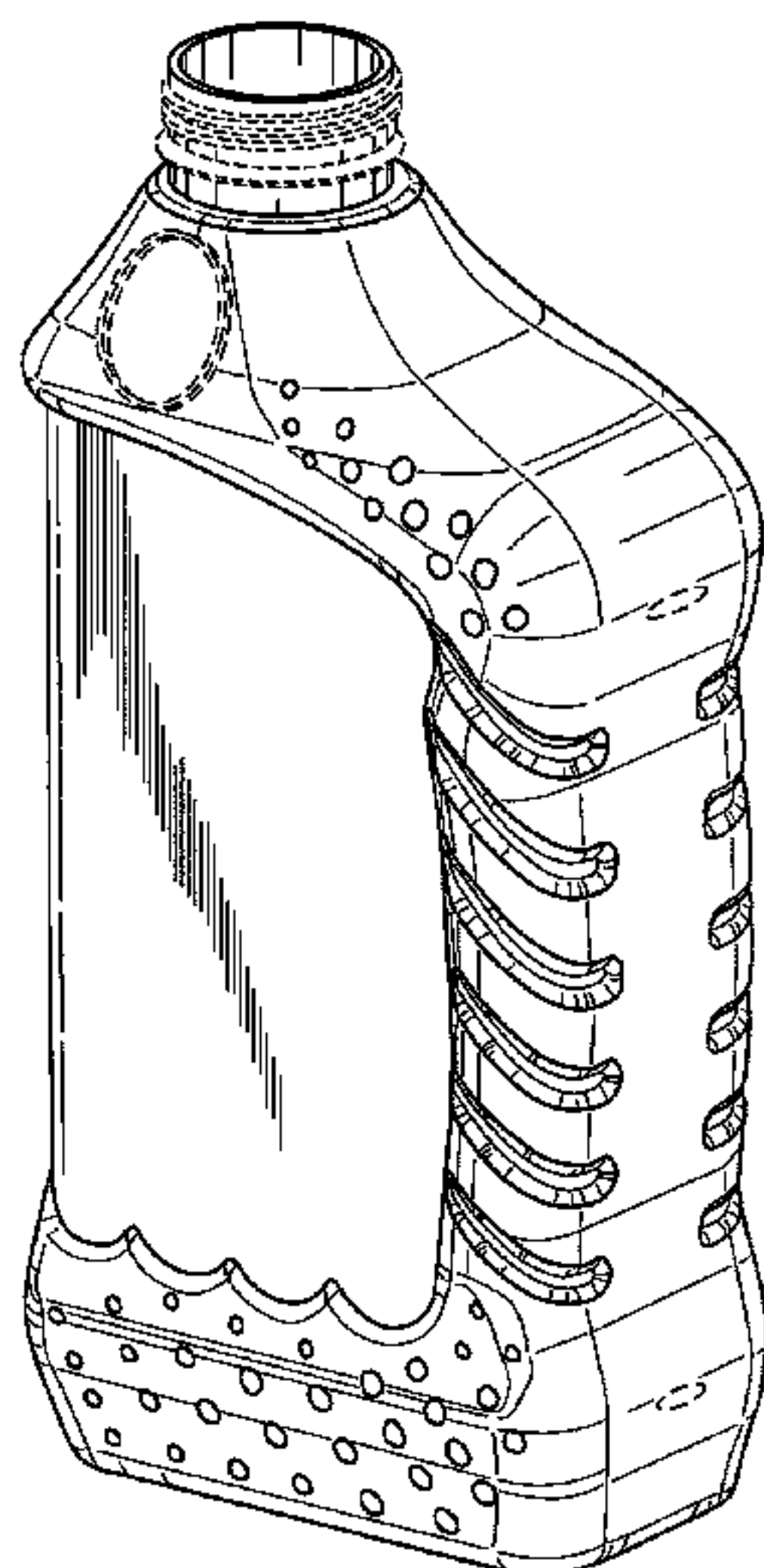
(57) **CLAIM**

The ornamental design for a container, as shown and described.

DESCRIPTION

FIG. 1 is a perspective view of a container showing my new design;
FIG. 2 is another perspective view thereof;
FIG. 3 is a front elevational view thereof;
FIG. 4 is a rear elevational view thereof;
FIG. 5 is a side elevational view thereof;
FIG. 6 is another side elevational view thereof;
FIG. 7 is a top plan view thereof; and,
FIG. 8 is a bottom plan view thereof.
The broken lines in the drawings form no part of the claimed design.

1 Claim, 8 Drawing Sheets



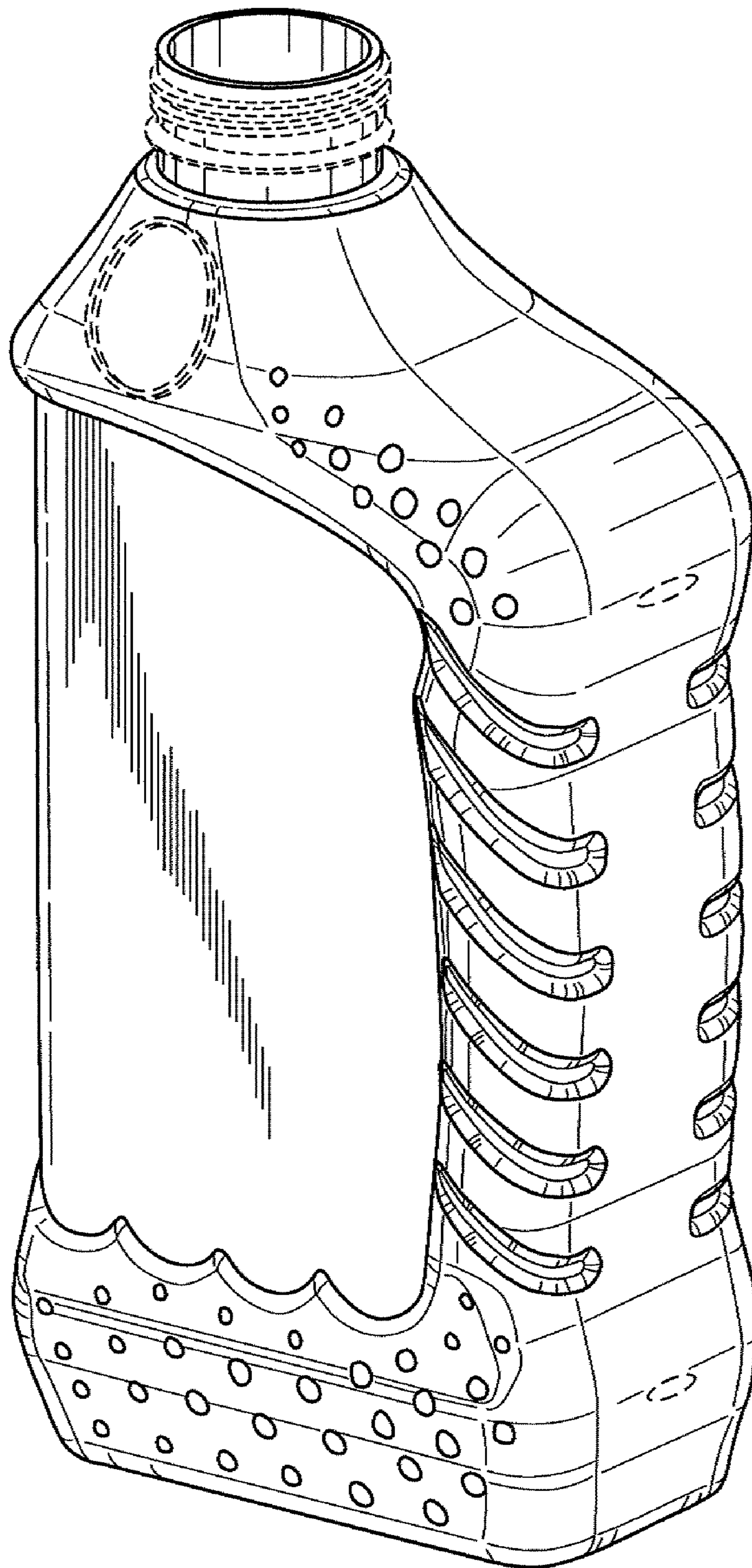


FIG. 1

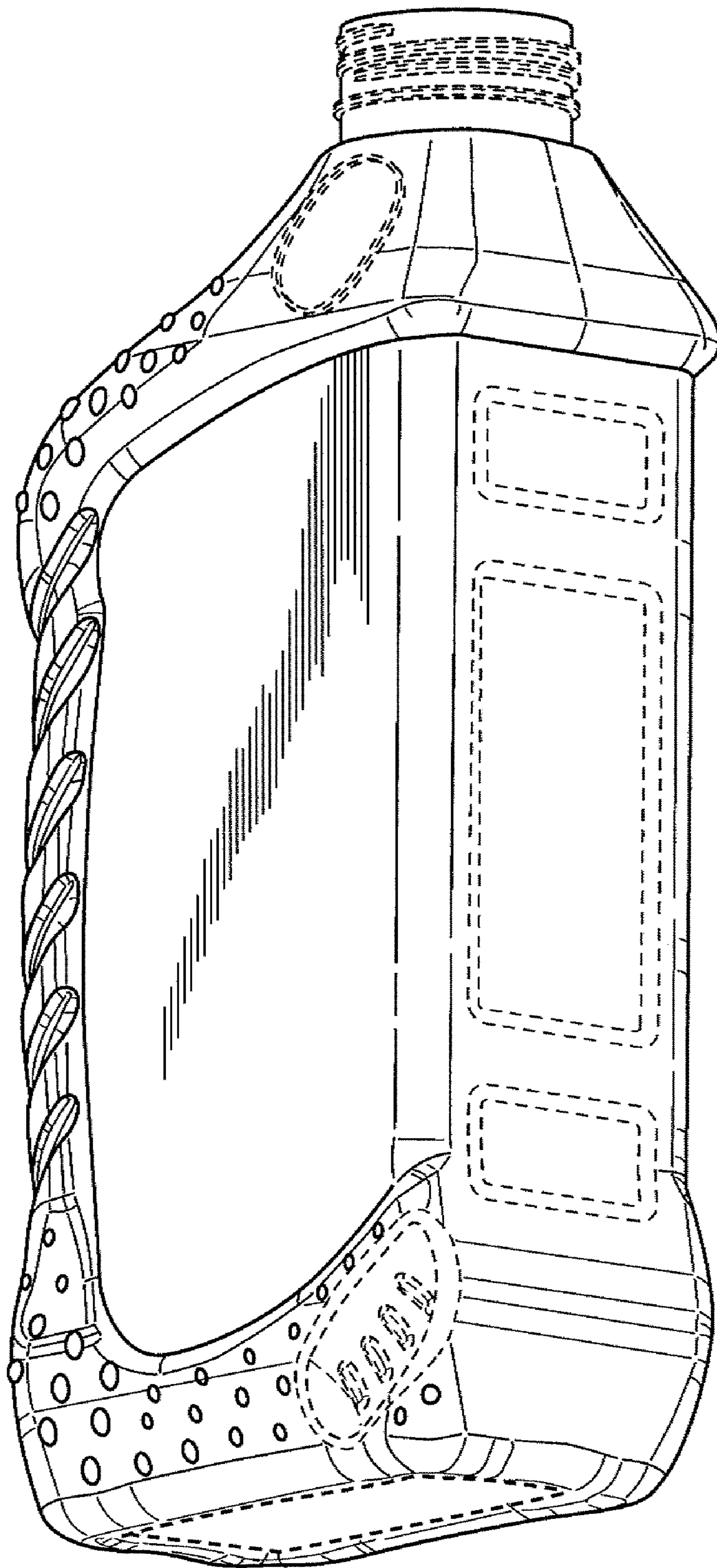


FIG. 2

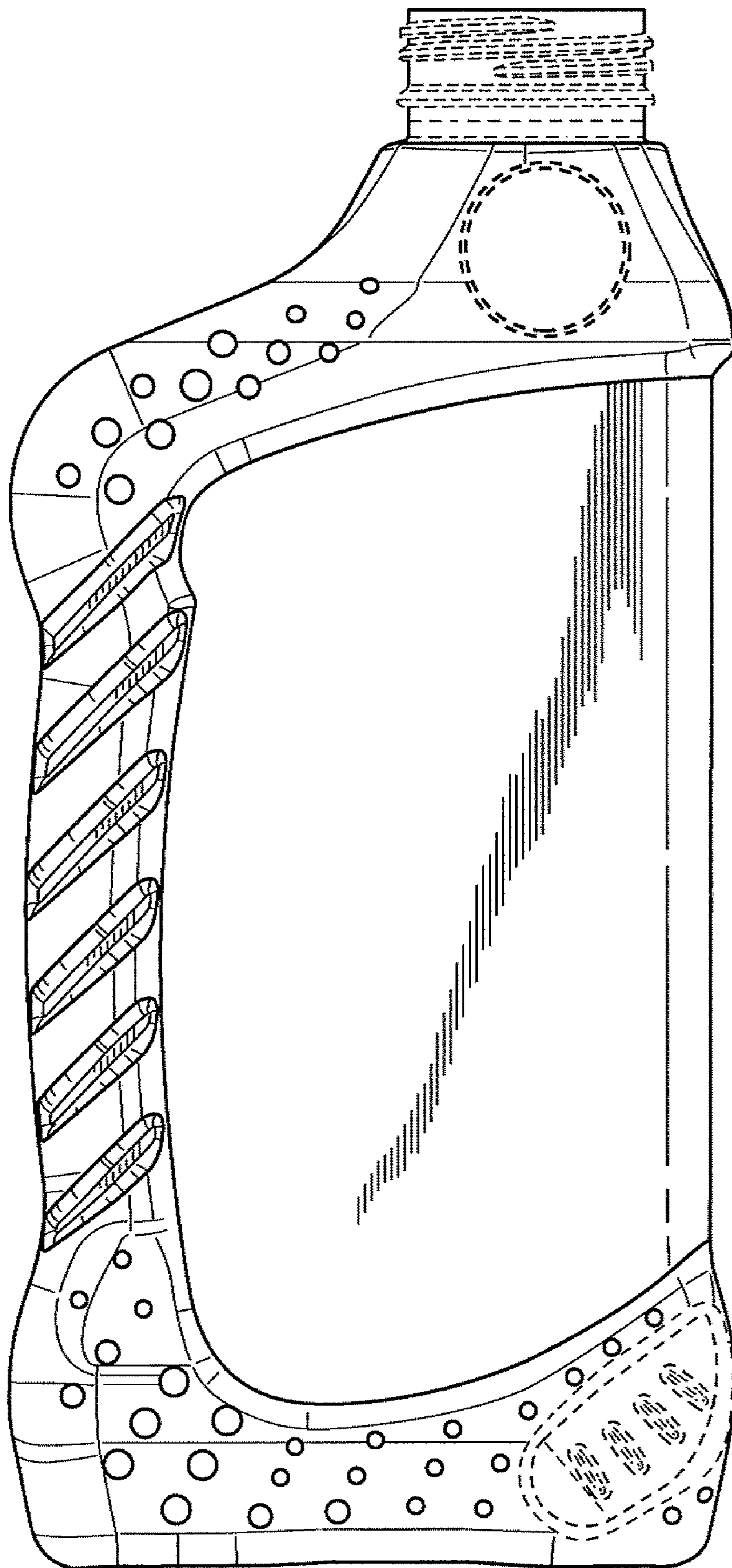


FIG. 3

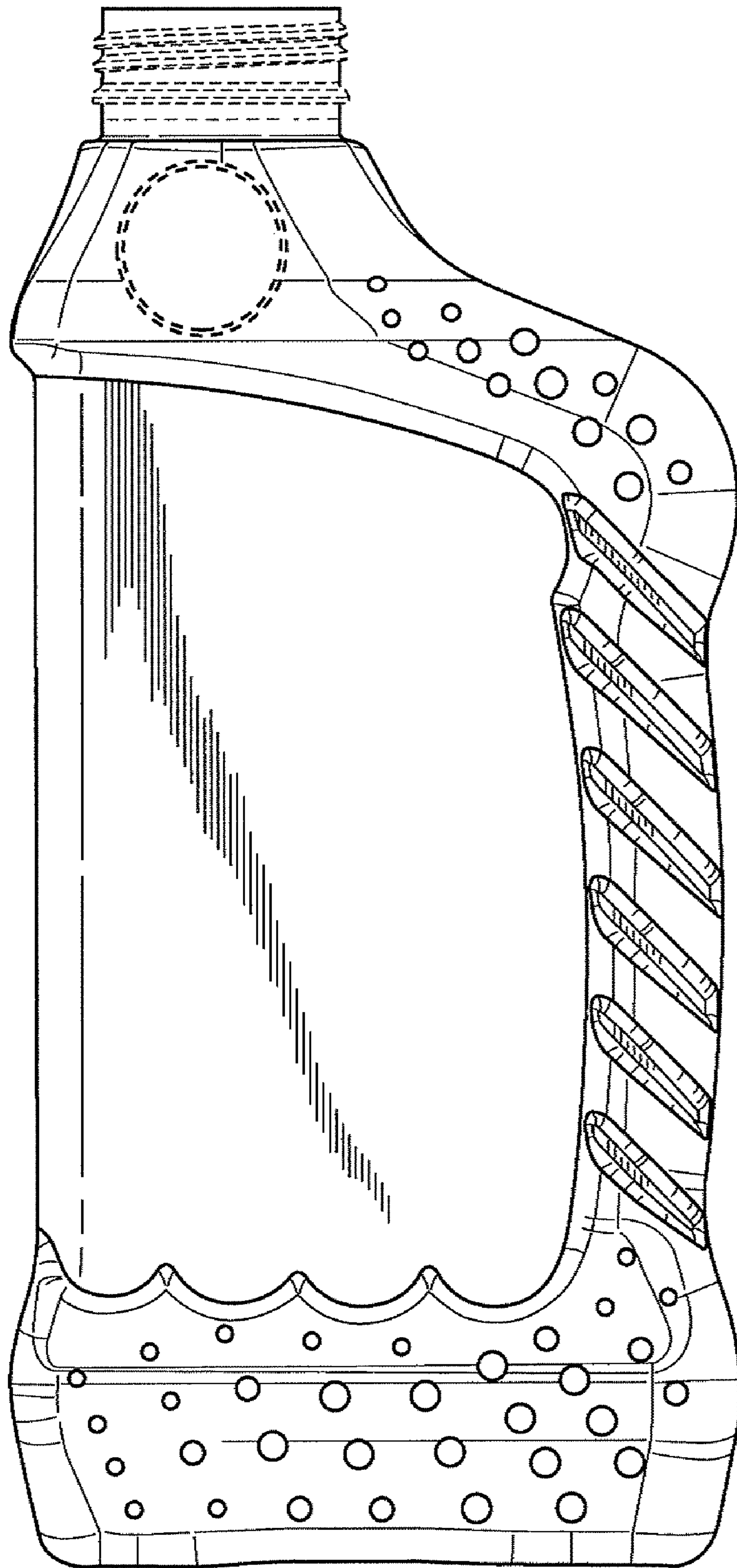


FIG. 4

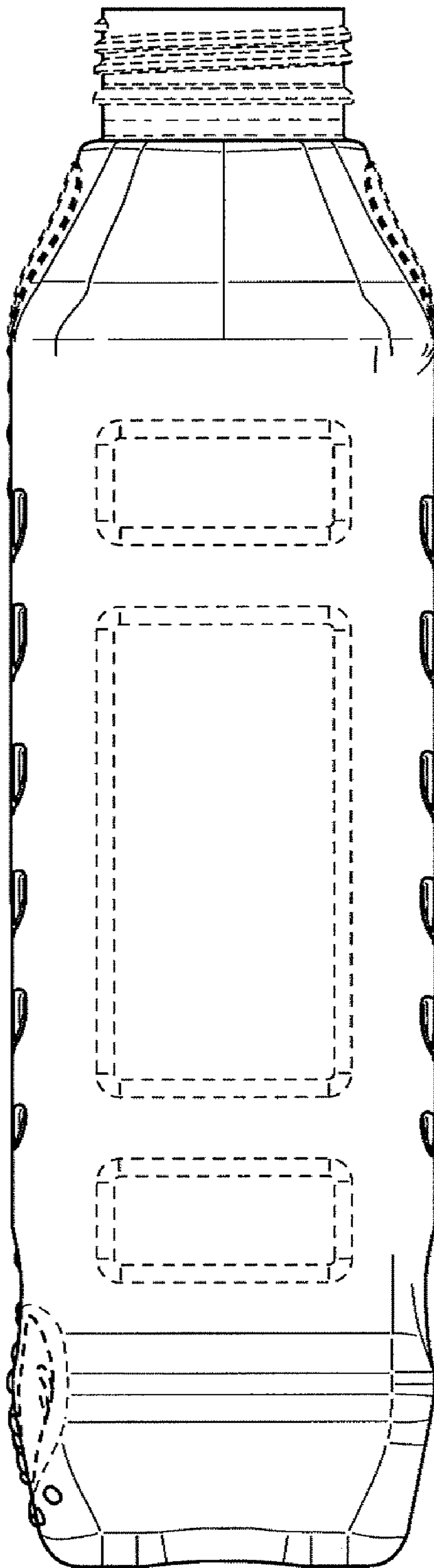


FIG. 5

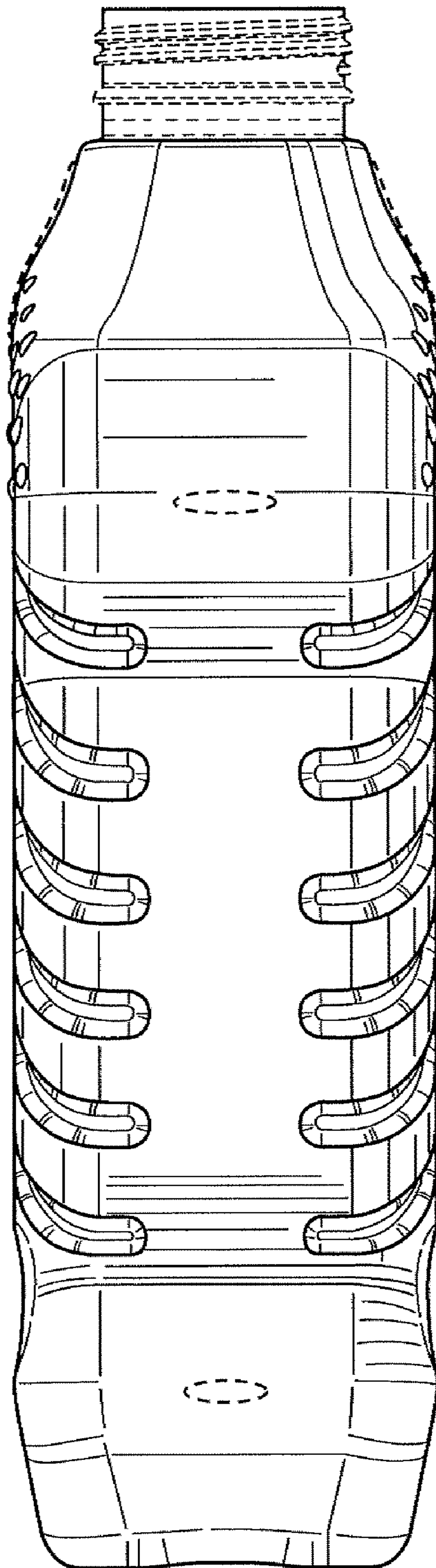


FIG. 6

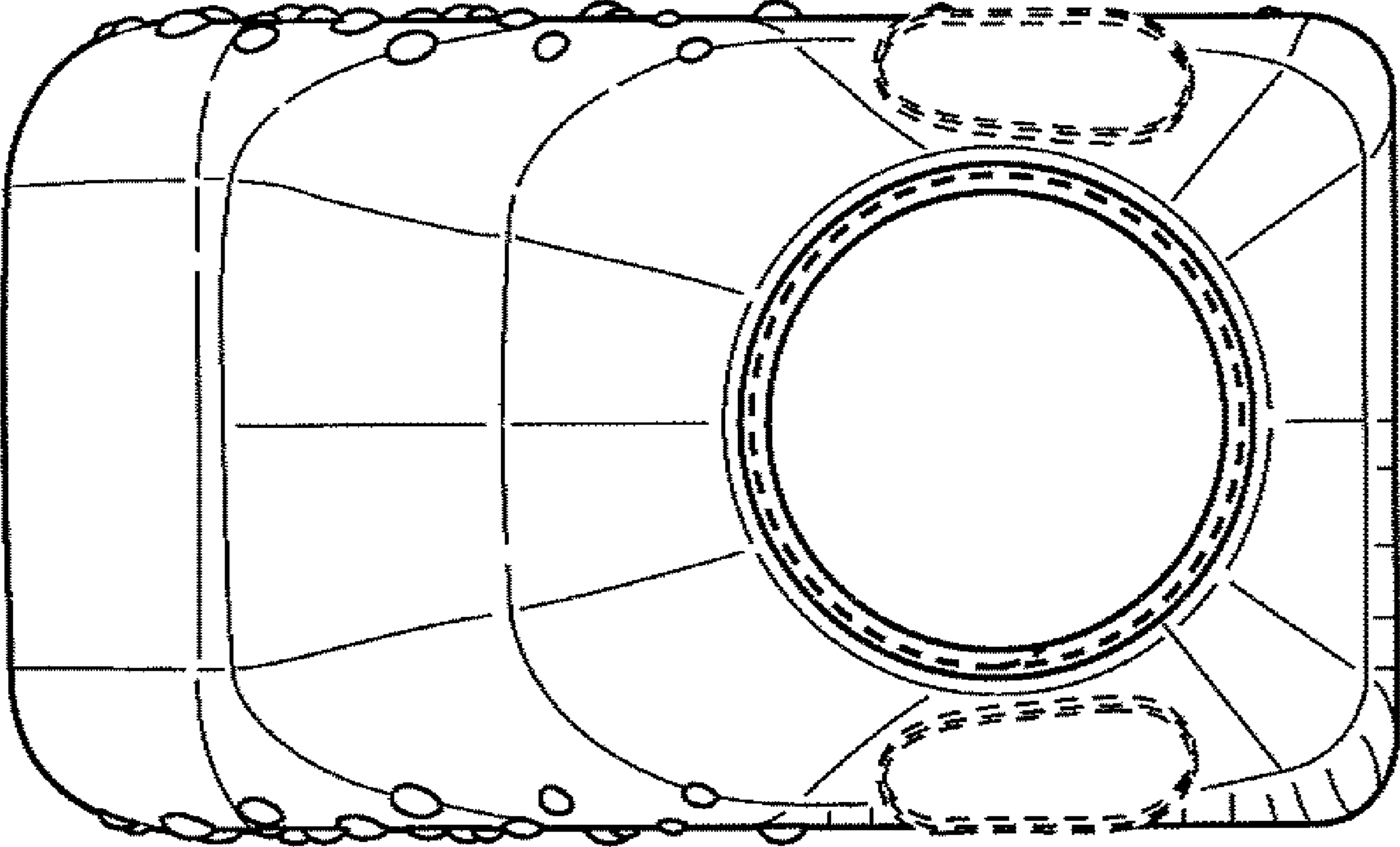


FIG. 7

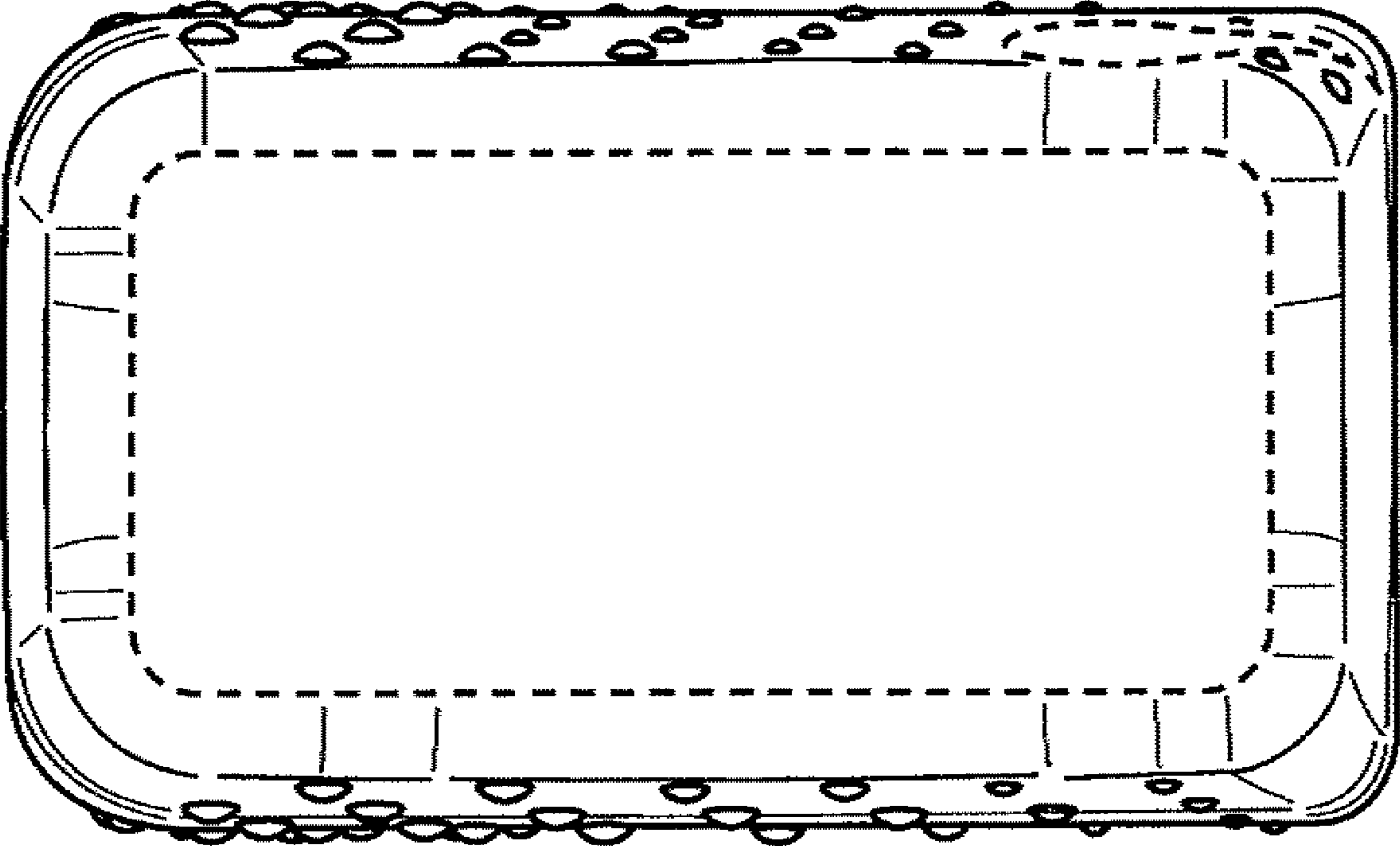


FIG. 8