



US00D635026S

(12) **United States Design Patent**  
**Stolle**

(10) **Patent No.:** **US D635,026 S**  
(45) **Date of Patent:** **\*\* Mar. 29, 2011**

- (54) **LOCKING CAP**
- (75) Inventor: **Jens-Olaf Stolle**, Crailsheim (DE)
- (73) Assignee: **SHB GmbH**, Crailsheim (DE)
- (\*\*) Term: **14 Years**
- (21) Appl. No.: **29/351,395**
- (22) Filed: **Dec. 4, 2009**
- (51) **LOC (9) Cl.** ..... **09-07**
- (52) **U.S. Cl.** ..... **D9/449; D9/435**
- (58) **Field of Classification Search** ..... D9/529,  
D9/504, 503, 454, 453, 452, 450, 449, 447,  
D9/446, 443, 435; D7/900, 396.2, 392.1;  
222/556, 544, 494, 480, 472, 321.9, 212,  
222/185.1; 220/837, 835, 813, 810, 375,  
220/254.5; 215/305, 228, 226, 200  
See application file for complete search history.

- D584,148 S \* 1/2009 Stolle ..... D9/449
- D588,913 S \* 3/2009 Bakic ..... D9/435
- D598,769 S \* 8/2009 Toh et al. .... D9/521
- D605,510 S \* 12/2009 Weber ..... D9/449
- D605,511 S \* 12/2009 Weber ..... D9/449
- D608,639 S \* 1/2010 Jackel et al. .... D9/449

\* cited by examiner

*Primary Examiner* — Susan Bennett Hattan  
(74) *Attorney, Agent, or Firm* — Laurence A. Greenberg;  
Werner H. Stemer; Ralph E. Locher

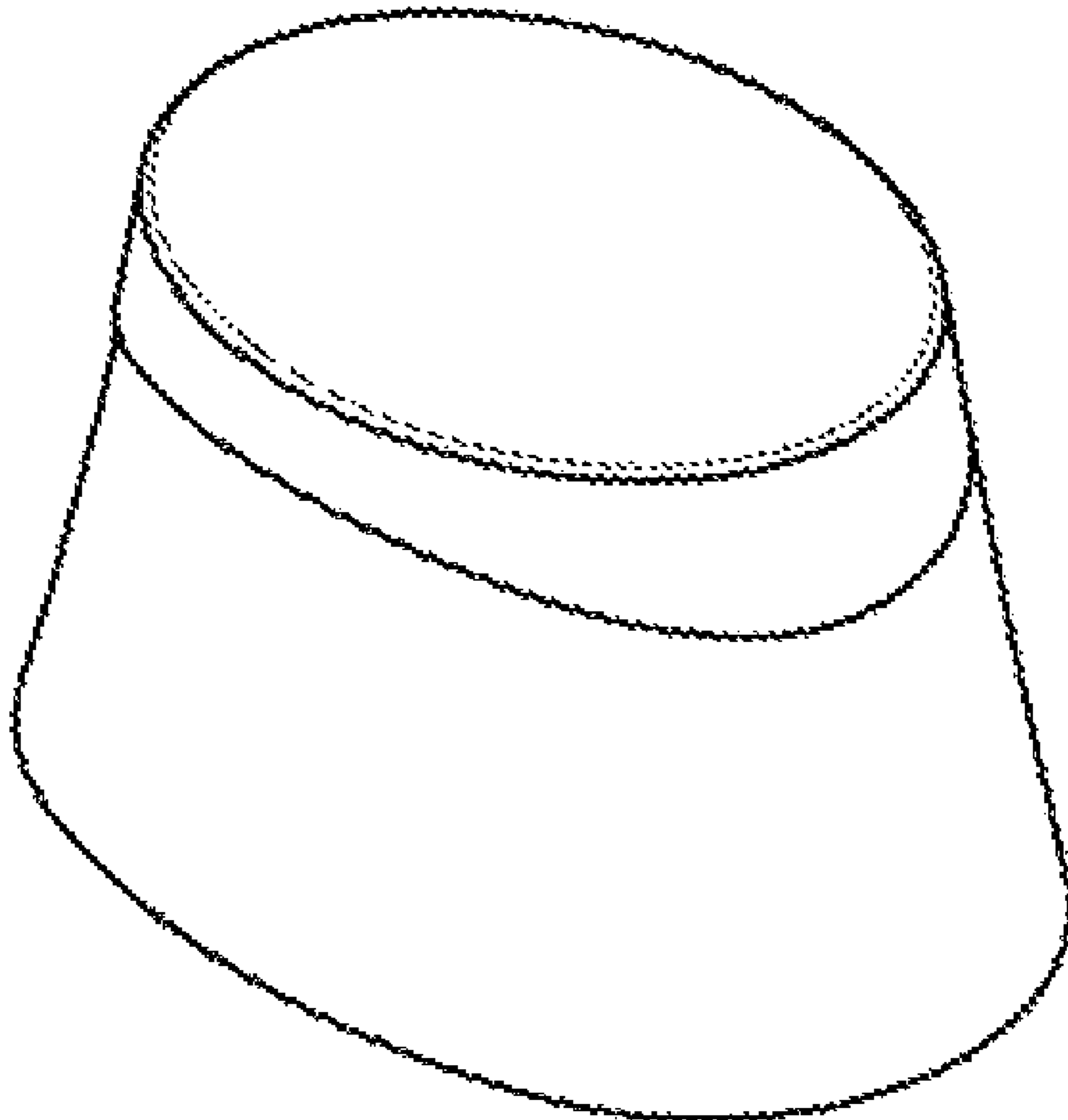
(57) **CLAIM**  
The ornamental design for a locking cap, as shown and described.

**DESCRIPTION**

FIG. 1 is a top perspective view of a locking cap, showing my new design;  
FIG. 2 is a front elevational view thereof;  
FIG. 3 is a side elevational view thereof; and,  
FIG. 4 is a front elevational view thereof, showing an exemplary bottle in dashed lines.  
Subject matter illustrated in dashed lines depicts environmental subject matter only and does not form part of the claim.

**1 Claim, 2 Drawing Sheets**

- (56) **References Cited**
- U.S. PATENT DOCUMENTS
- D214,263 S \* 5/1969 McConnell ..... D9/450
- D504,611 S \* 5/2005 Bakic ..... D9/446
- D513,987 S \* 1/2006 Bansal ..... D9/449



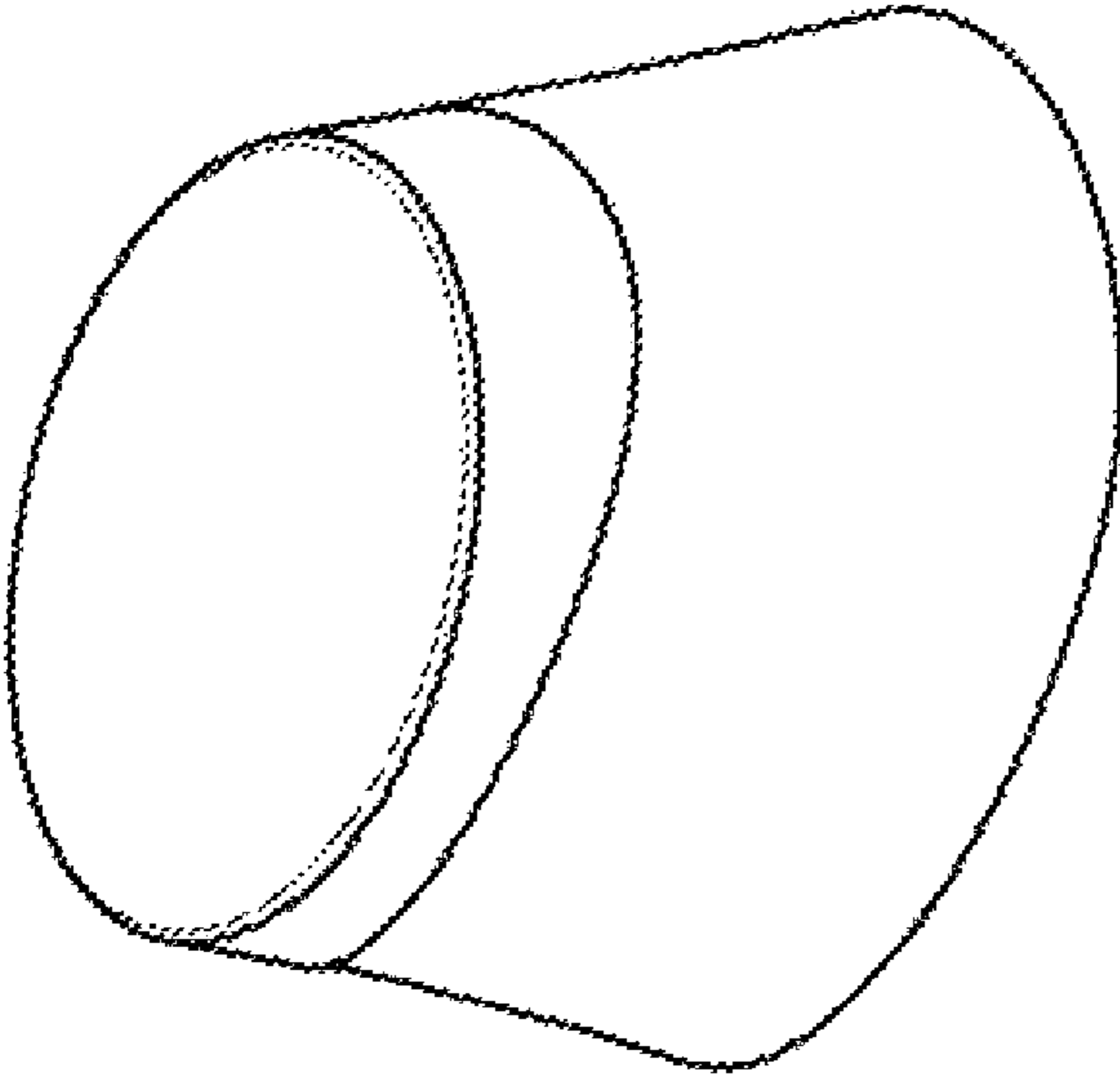


FIG. 1

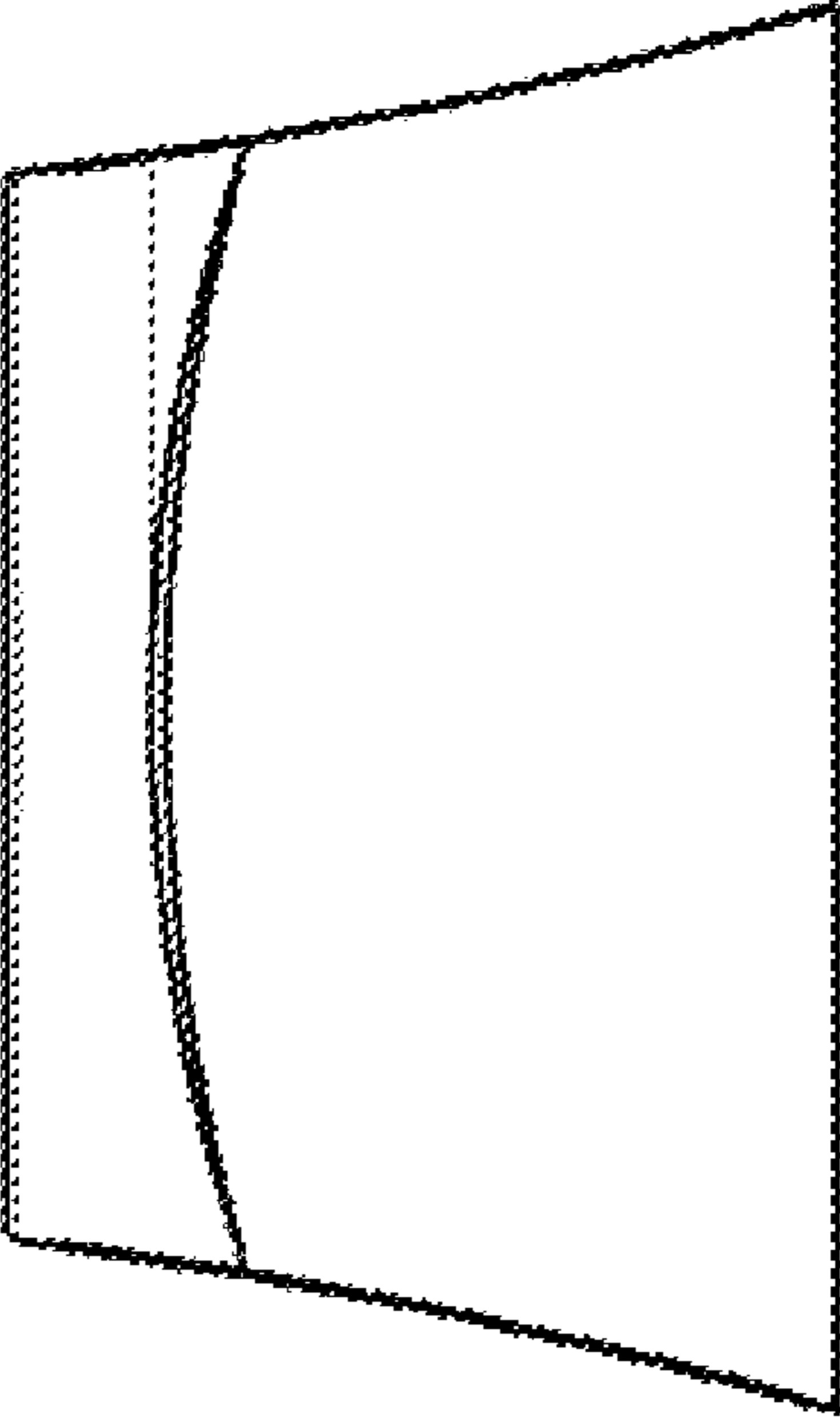


FIG. 2

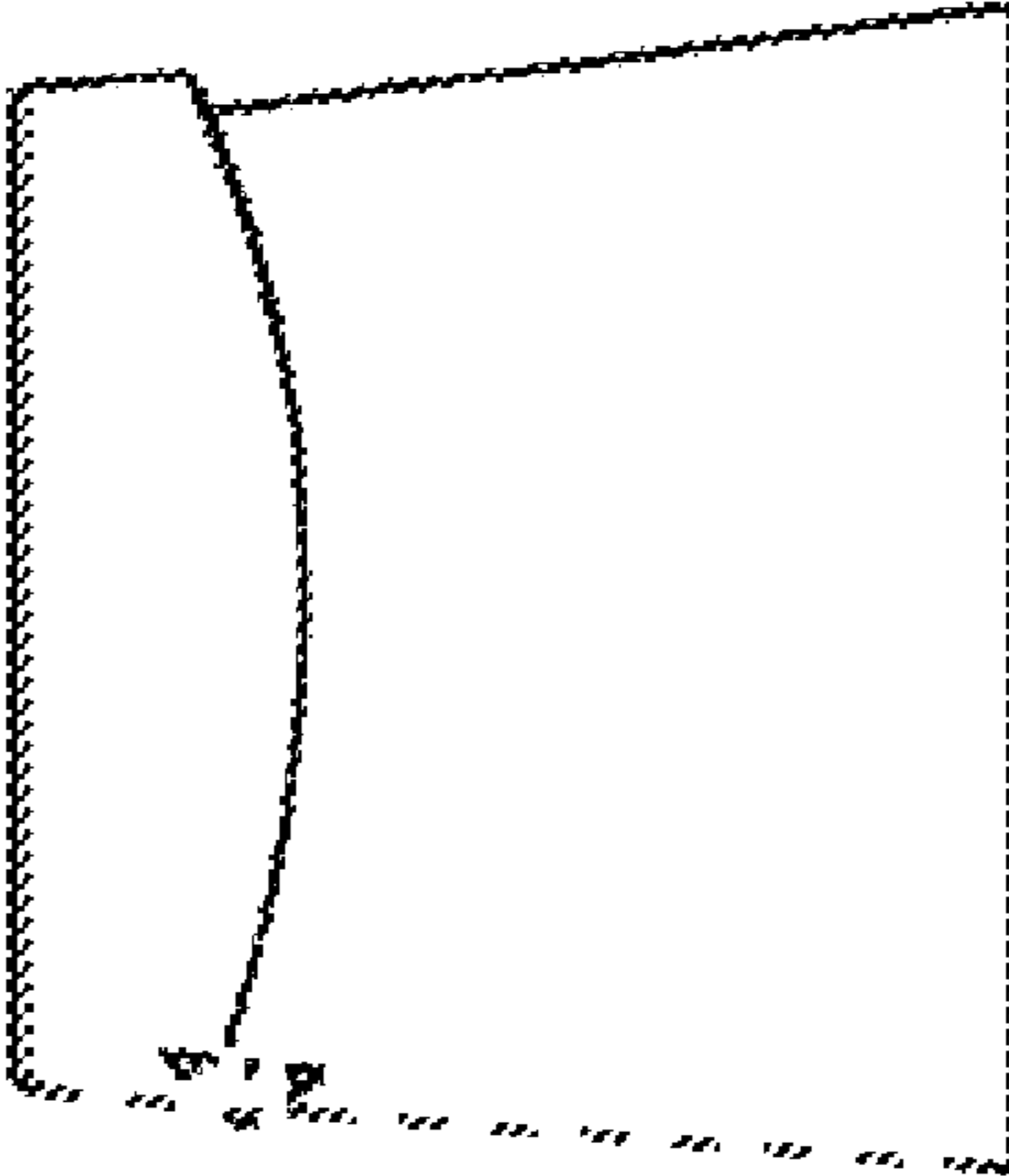


FIG. 3

FIG. 4

