



US00D635023S

(12) **United States Design Patent**  
**Stolle**

(10) **Patent No.:** **US D635,023 S**  
(45) **Date of Patent:** **\*\* Mar. 29, 2011**

(54) **LOCKING CAP**

(75) Inventor: **Jens-Olaf Stolle**, Crailsheim (DE)

(73) Assignee: **SHB GmbH**, Crailsheim (DE)

(\*\*) Term: **14 Years**

(21) Appl. No.: **29/351,390**

(22) Filed: **Dec. 4, 2009**

(51) **LOC (9) Cl.** ..... **09-07**

(52) **U.S. Cl.** ..... **D9/449; D9/447**

(58) **Field of Classification Search** ..... D9/529,  
D9/504, 503, 454, 453, 452, 450, 449, 447,  
D9/446, 443, 435; D7/900, 396.2, 392.1;  
222/556, 544, 494, 480, 472, 321.9, 212,  
222/185.1; 220/837, 835, 813, 810, 375,  
220/254.5; 215/305, 228, 226, 200  
See application file for complete search history.

(56) **References Cited**

**U.S. PATENT DOCUMENTS**

- D443,823 S \* 6/2001 Fenton et al. .... D9/521
- D450,593 S \* 11/2001 Jebb et al. .... D9/529
- D471,818 S \* 3/2003 Weber ..... D9/521
- D489,258 S \* 5/2004 Hollmann et al. .... D9/444

- D504,611 S \* 5/2005 Bakic ..... D9/446
- D554,515 S \* 11/2007 Toh ..... D9/535
- D605,513 S \* 12/2009 Weber ..... D9/449
- D608,196 S \* 1/2010 Beilke ..... D9/449
- D618,102 S \* 6/2010 Toh et al. .... D9/516

\* cited by examiner

*Primary Examiner* — Susan Bennett Hattan

(74) *Attorney, Agent, or Firm* — Laurence A. Greenberg;  
Werner H. Stemer; Ralph E. Locher

(57) **CLAIM**

The ornamental design for a locking cap, as shown and described.

**DESCRIPTION**

FIG. 1 is a top perspective view of a locking cap in an open position, showing my new design;  
 FIG. 2 is a front elevational view thereof, illustrated in a closed position;  
 FIG. 3 is a side elevational view thereof; and,  
 FIG. 4 is a front elevational view thereof, showing an exemplary bottle in dashed lines.  
 Subject matter illustrated in dashed lines depicts environmental subject matter only and does not form part of the claim.

**1 Claim, 2 Drawing Sheets**

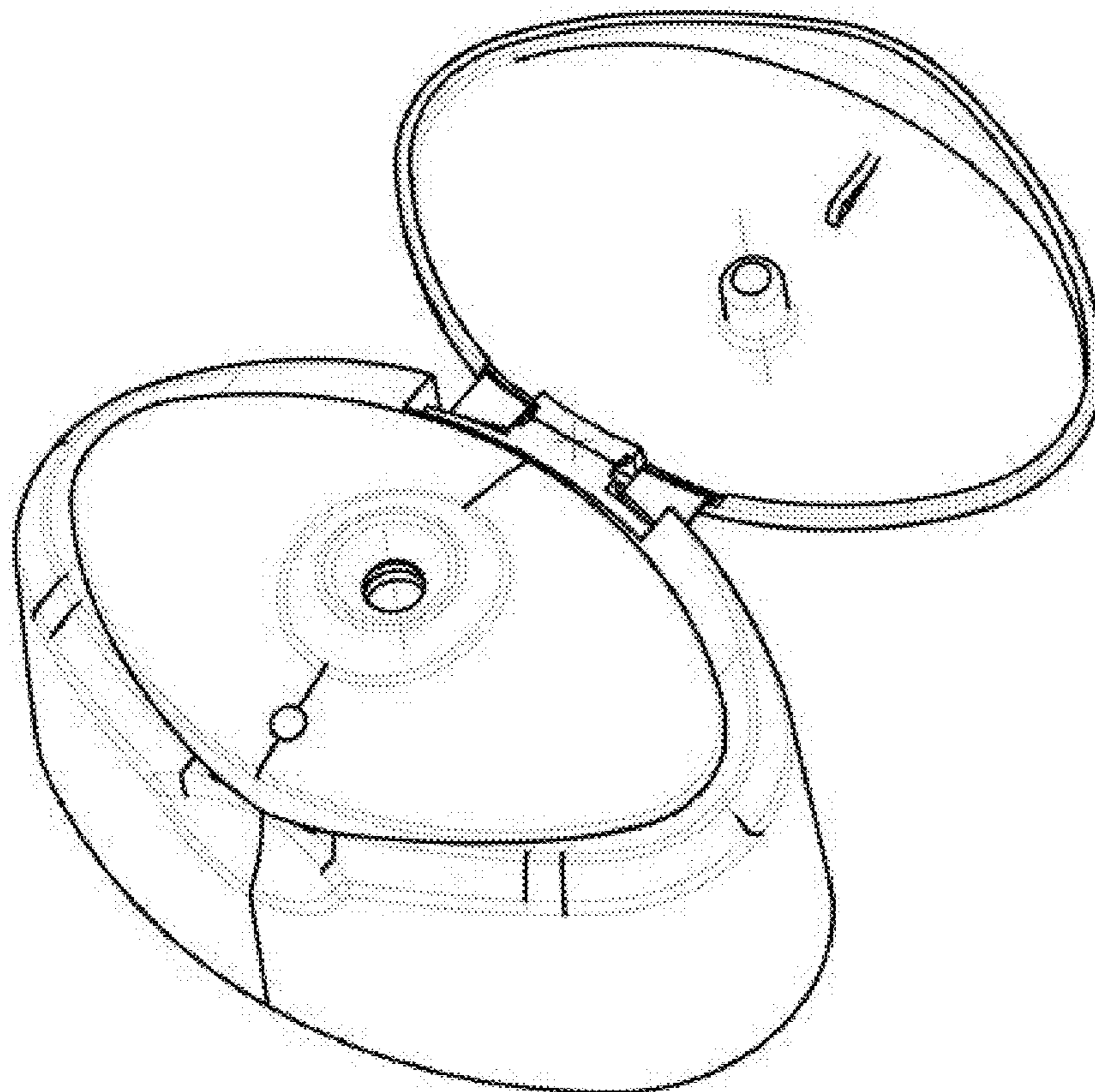


FIG. 1

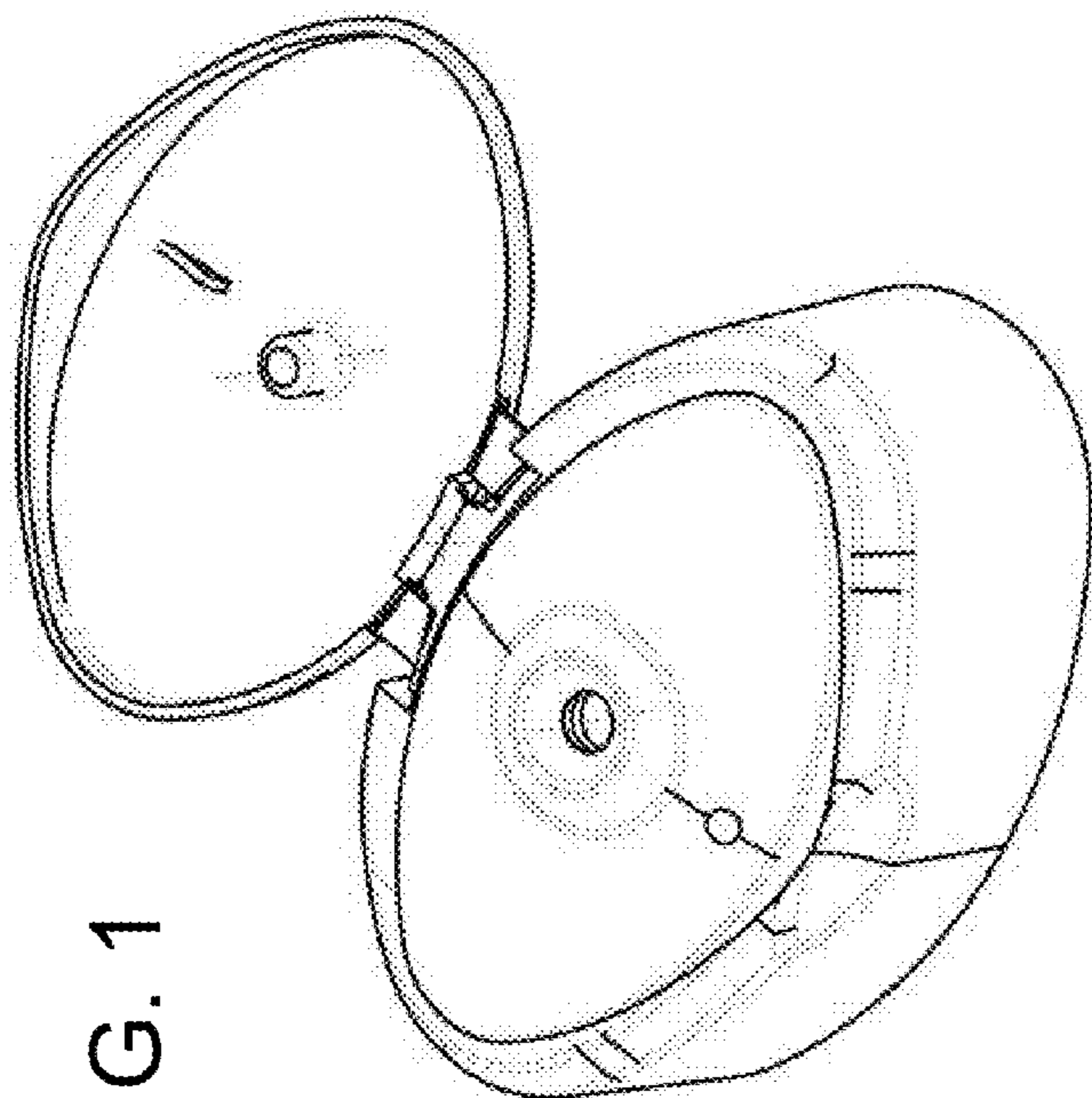


FIG. 2

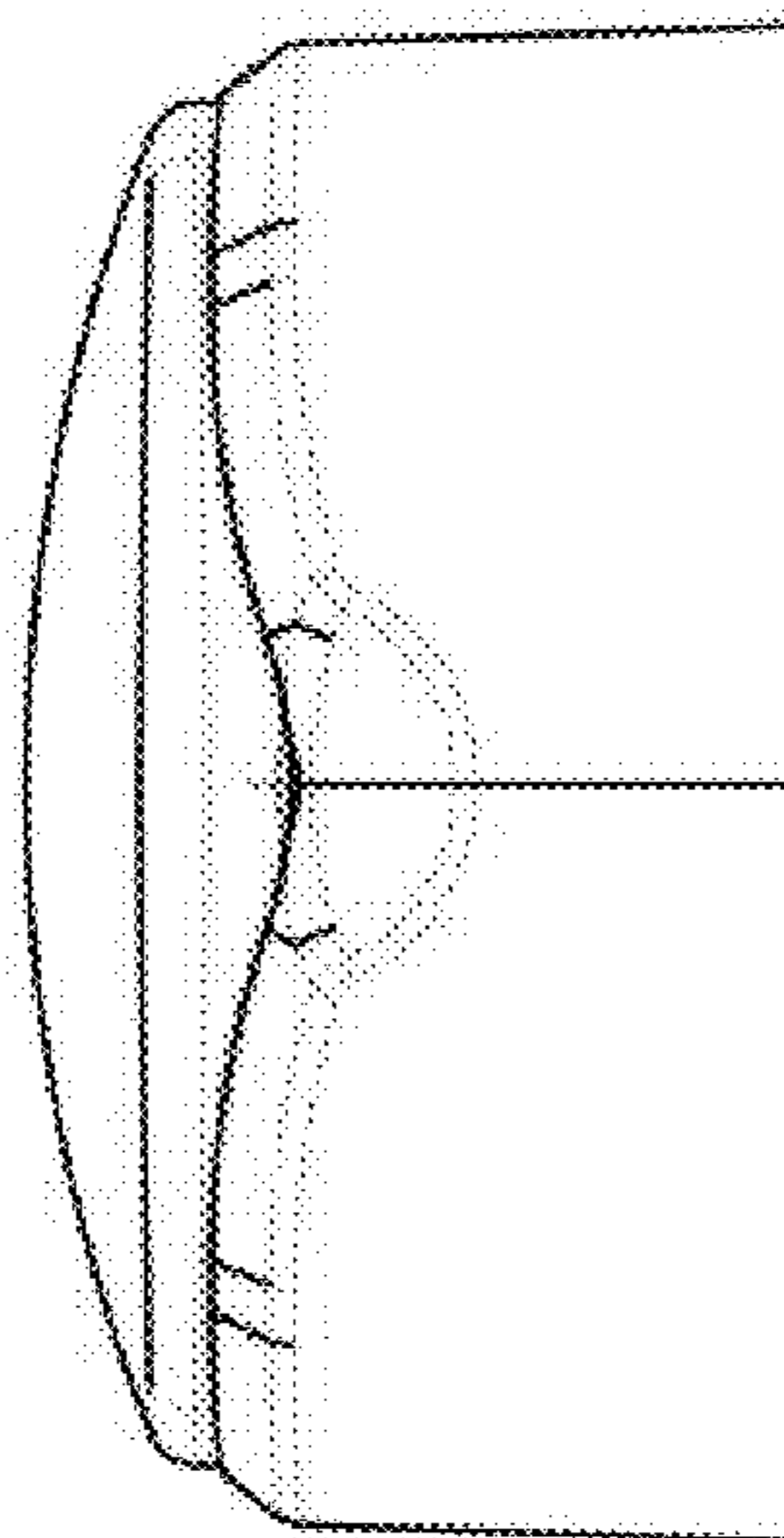


FIG. 3

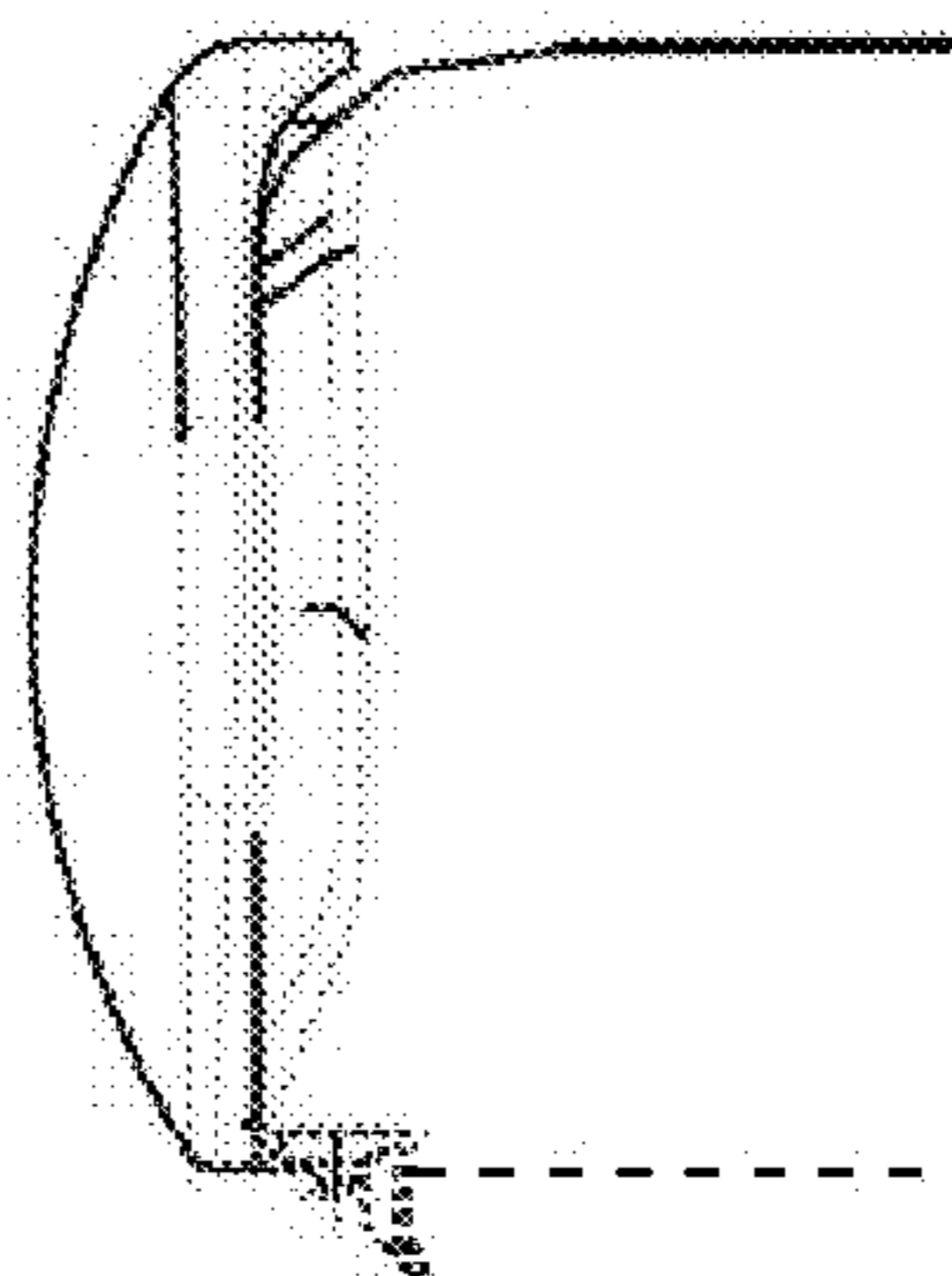


FIG. 4

