



US00D635018S

(12) **United States Design Patent**
Wallace et al.

(10) **Patent No.:** **US D635,018 S**
(45) **Date of Patent:** **** Mar. 29, 2011**

(54) **PACKAGE**

(75) Inventors: **Anna Marie Wallace**, Modena (IT);
Emanuel Lidberg, Modena (IT);
Marcello Barbieri, Modena (IT);
Siegrid Putzer, Modena (IT); **Kristina DeVerdier**, Modena (IT)

(73) Assignee: **Tetra Laval Holdings & Finance, S.A.**
(CH)

(**) Term: **14 Years**

(21) Appl. No.: **29/359,404**

(22) Filed: **Apr. 9, 2010**

(30) **Foreign Application Priority Data**

Oct. 9, 2009 (EM) 1170039-0002
Oct. 9, 2009 (EM) 1170039-0003
Oct. 19, 2009 (CN) 2009 3 0211171
Oct. 19, 2009 (CN) 2009 3 0211174

(51) **LOC (9) Cl.** **09-03**

(52) **U.S. Cl.** **D9/433**

(58) **Field of Classification Search** D9/414,
D9/418, 420-424, 430-433; 206/267, 269,
206/270, 273, 299, 737, 740, 822; 229/100,
229/101, 101.3, 106, 108-112, 114-117,
229/117.05-117.09, 117.24, 117.26, 221,
229/222, 227, 902, 939, 941, 942; D3/272

See application file for complete search history.

(56) **References Cited**

U.S. PATENT DOCUMENTS

3,347,444	A *	10/1967	Rausing et al.	229/216
3,650,458	A *	3/1972	Rausing	229/125.15
3,795,359	A *	3/1974	Rausing	229/216
3,961,742	A *	6/1976	Stark et al.	229/137
4,267,957	A *	5/1981	Holmstrom	229/137
D261,617	S *	11/1981	Austin, Jr.	D9/432
4,343,402	A *	8/1982	Holmstrom	229/216
5,158,816	A *	10/1992	Rausing	428/35.8
D464,566	S *	10/2002	Anchor et al.	D9/432
D473,464	S *	4/2003	Anchor et al.	D9/432
D521,373	S *	5/2006	Stanton	D9/430
D592,052	S *	5/2009	Martini	D9/433
D602,631	S *	10/2009	Steinkamp	D27/189

* cited by examiner

Primary Examiner — Thomas J Johannes

(74) *Attorney, Agent, or Firm* — The Belles Group, P.C.

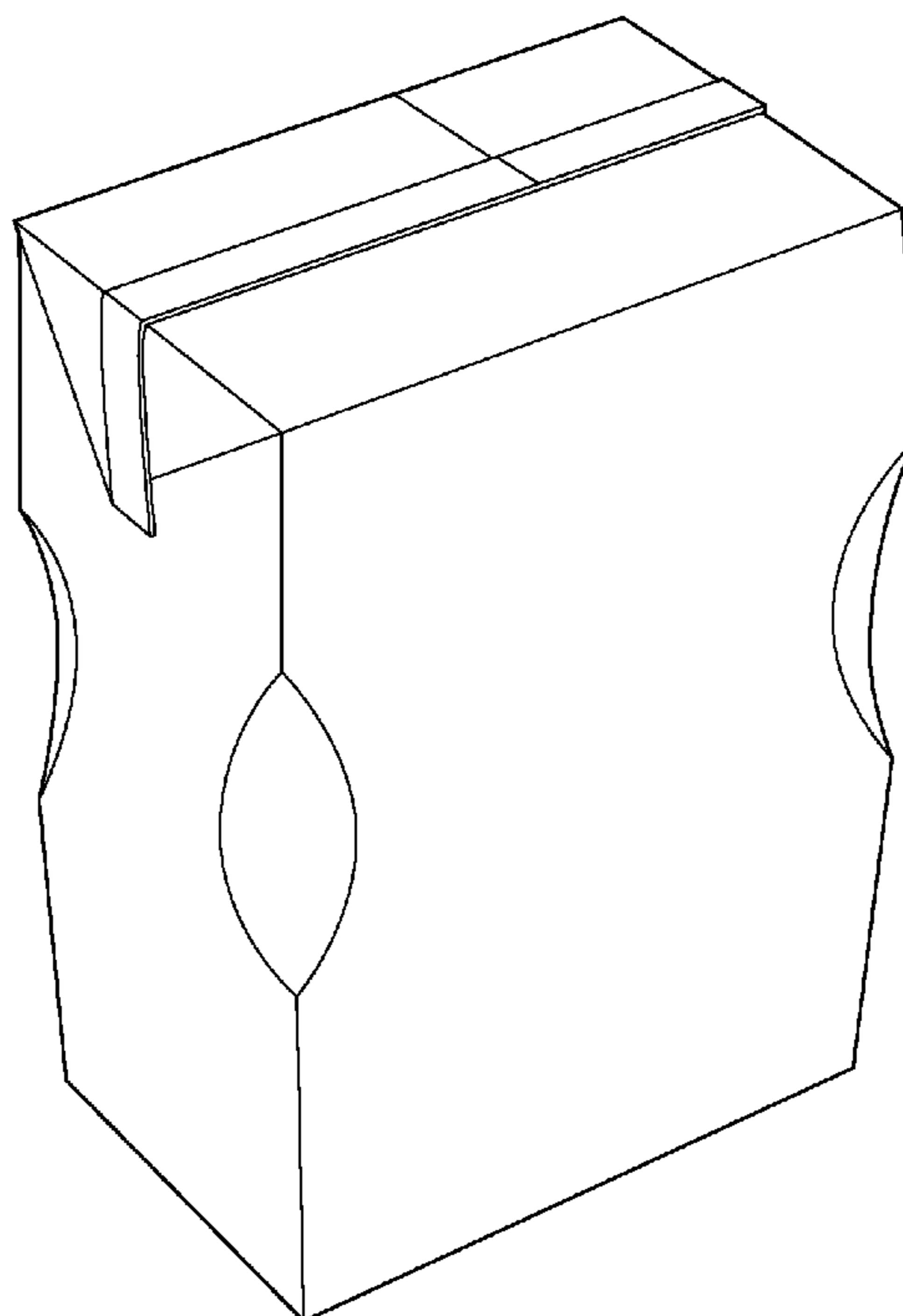
(57) **CLAIM**

The ornamental design for a package, as shown and described.

DESCRIPTION

FIG. 1 is a perspective view of a package showing our new design;
FIG. 2 is a left side elevation view thereof;
FIG. 3 is a right side elevation view thereof;
FIG. 4 is a front elevation view thereof;
FIG. 5 is a rear elevation view thereof;
FIG. 6 is a top plan view thereof;
FIG. 7 is a bottom plan view thereof; and,
FIG. 8 is a top plan view of a sheet of packaging material in an unfolded state from which the package of FIG. 1 is obtained, wherein the lines within the rectangular perimeter represent pre-weakened fold lines.

1 Claim, 8 Drawing Sheets



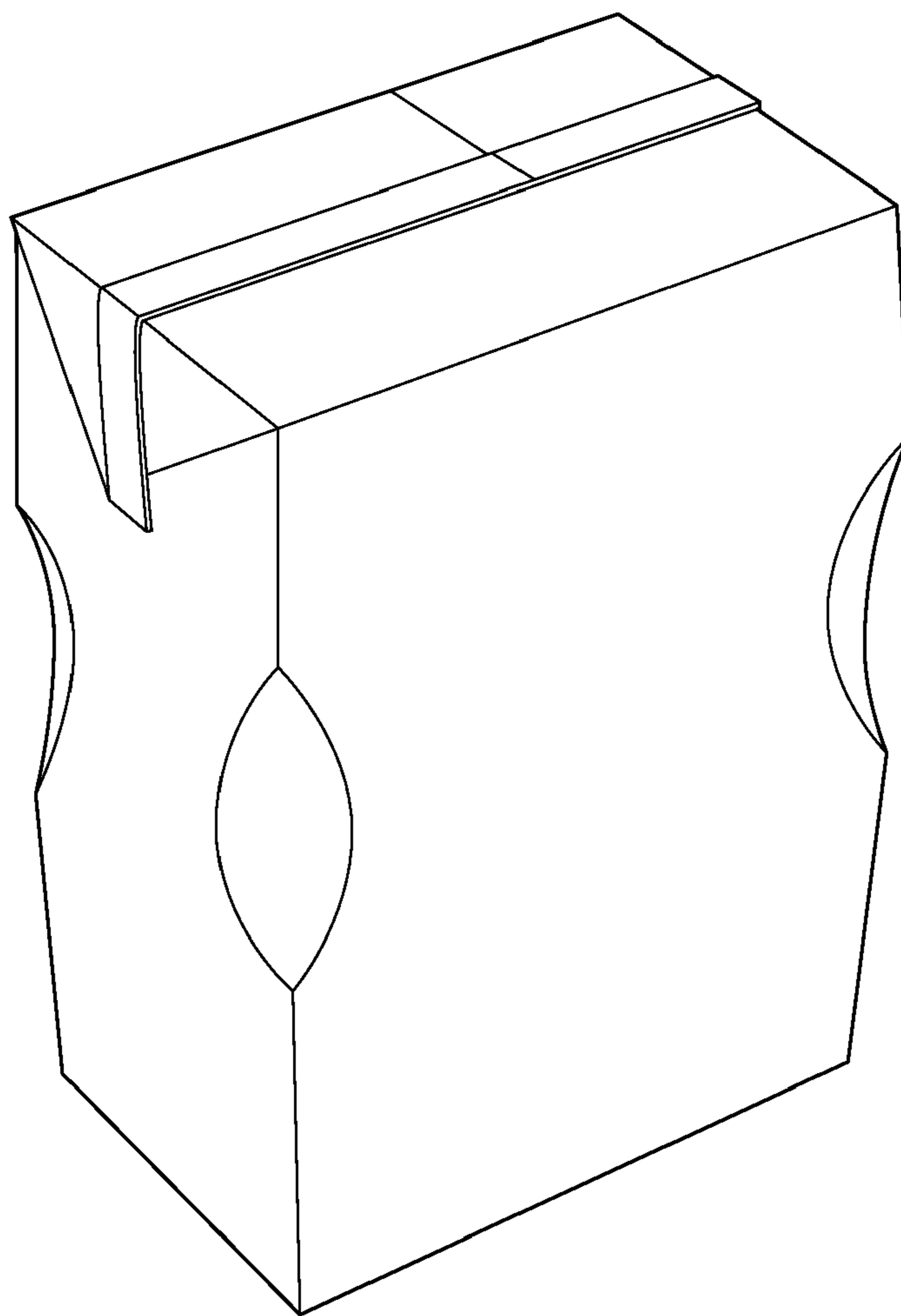


FIGURE 1

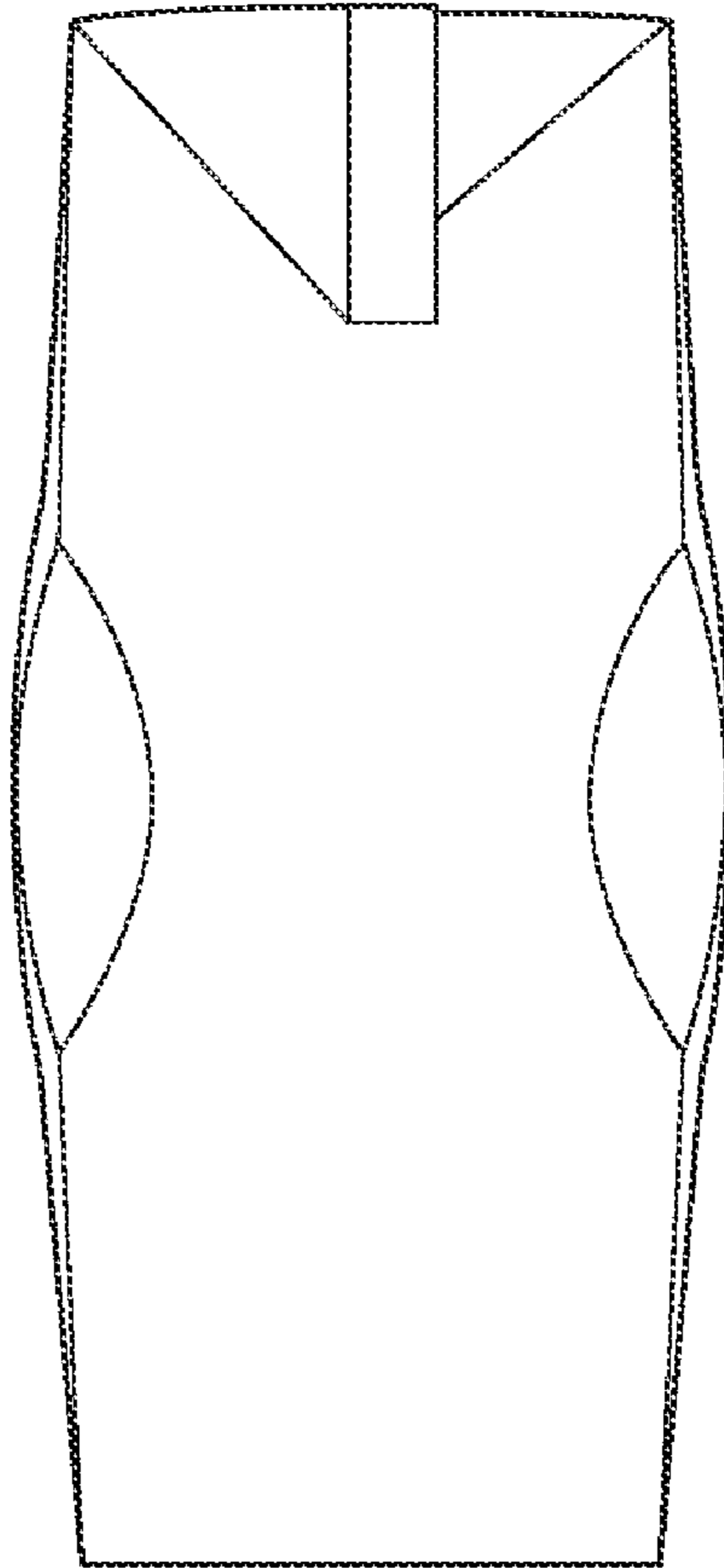


FIGURE 2

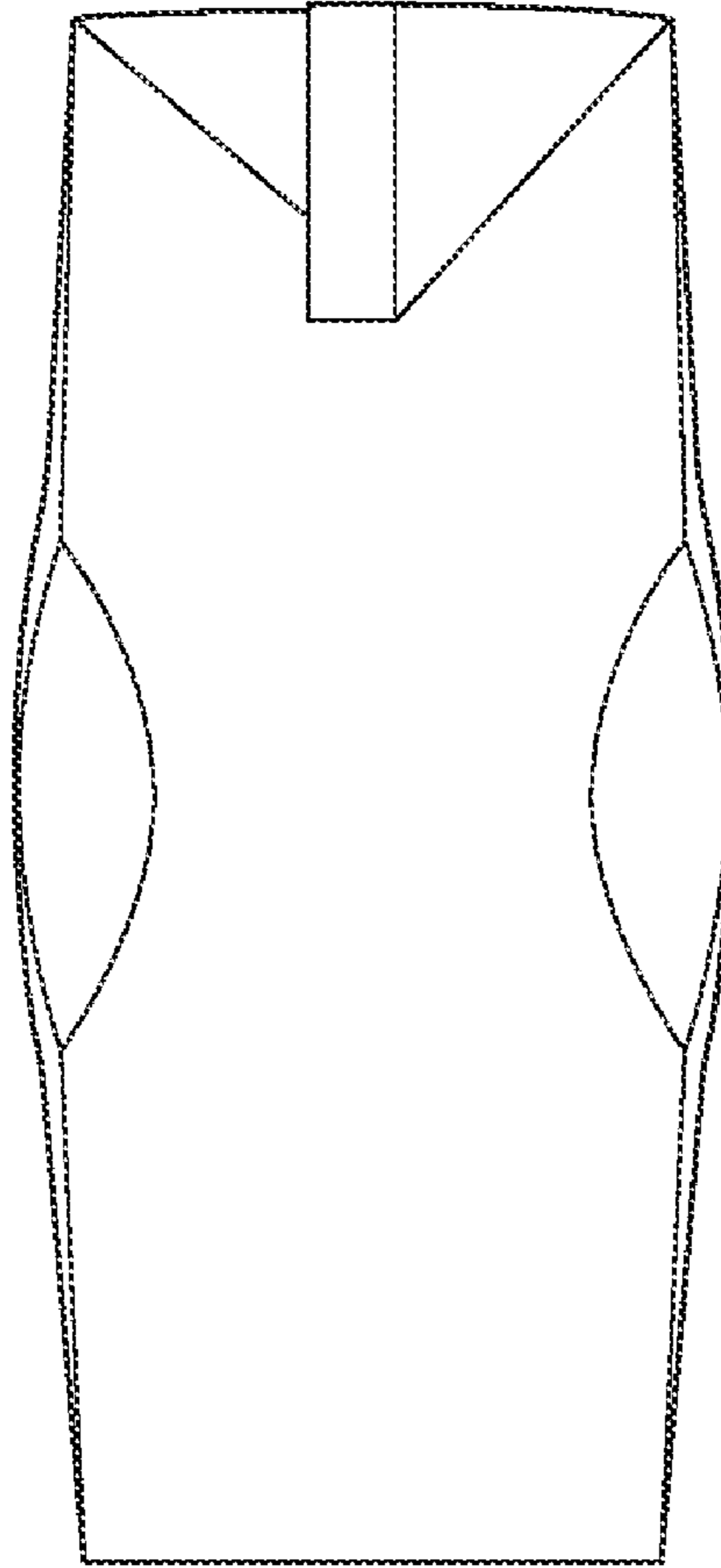


FIGURE 3

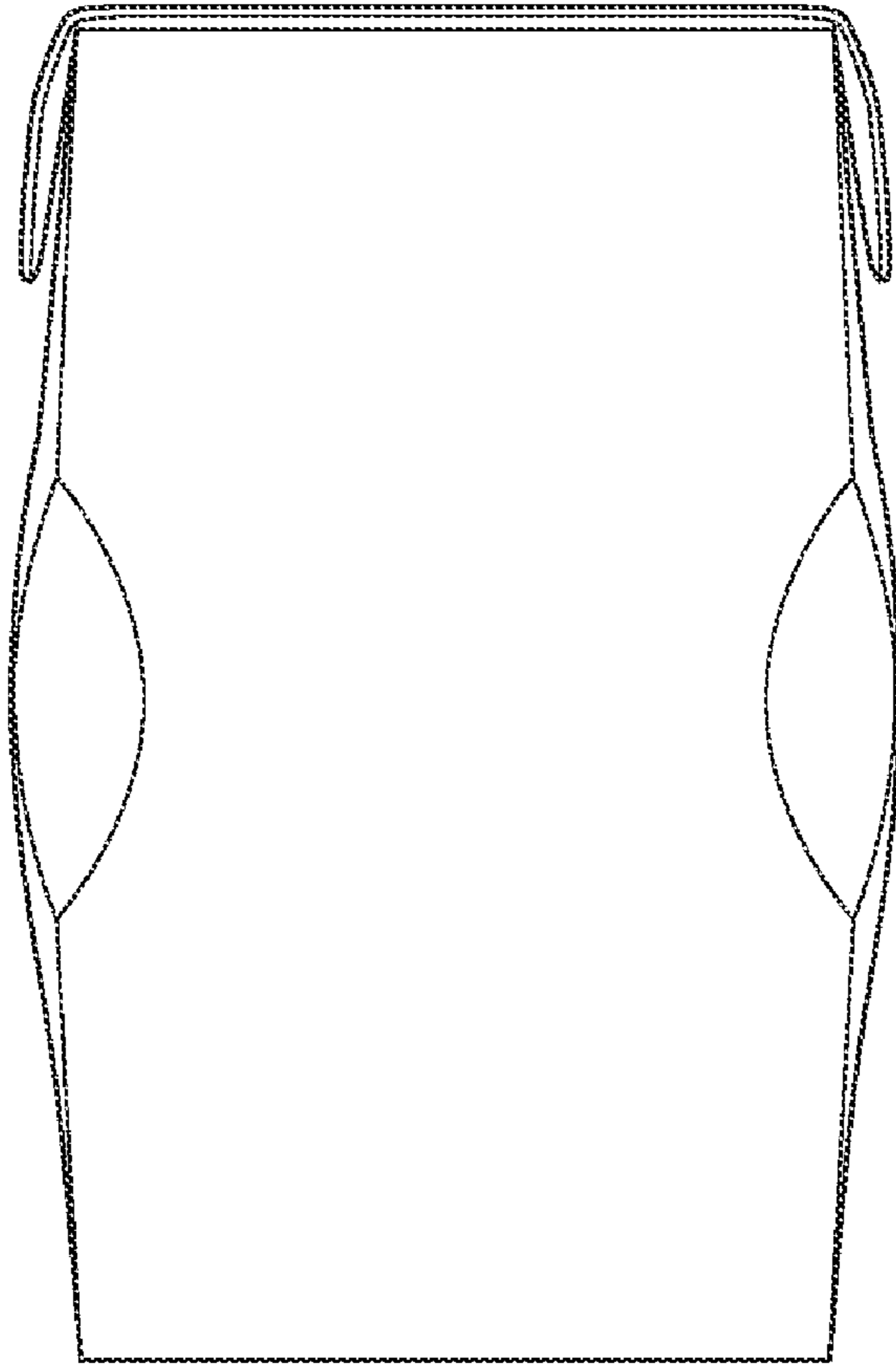


FIGURE 4

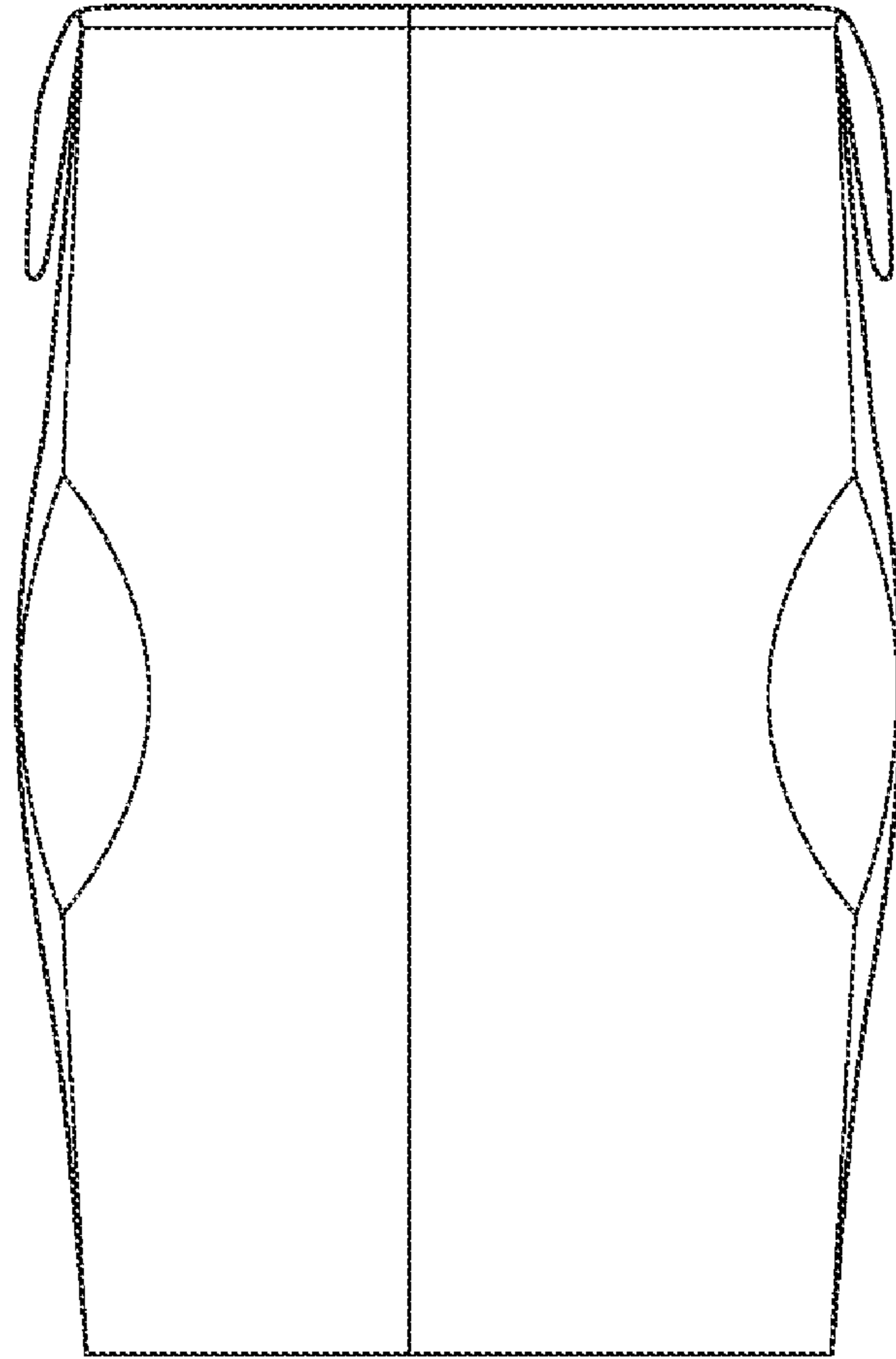


FIGURE 5

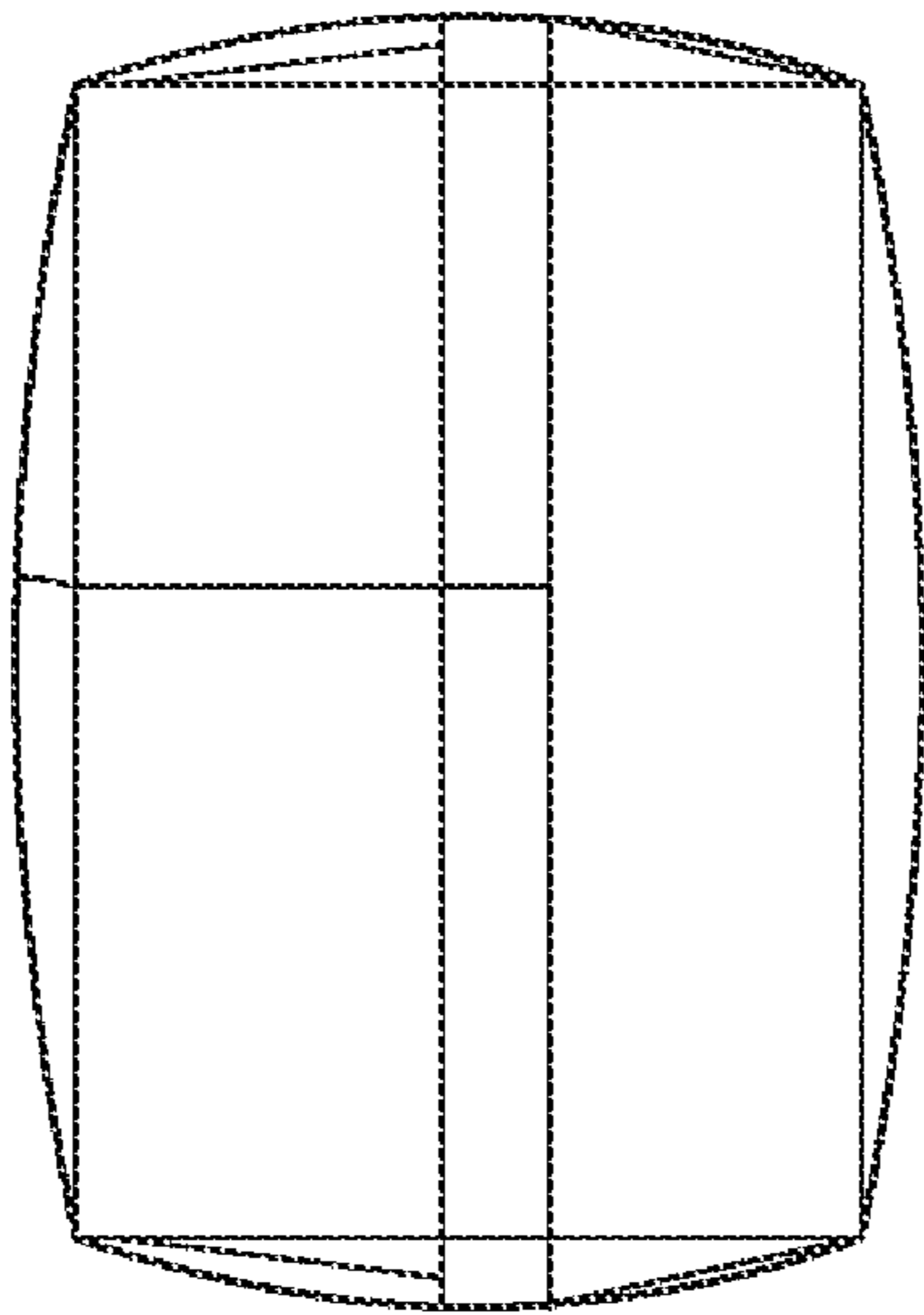


FIGURE 6

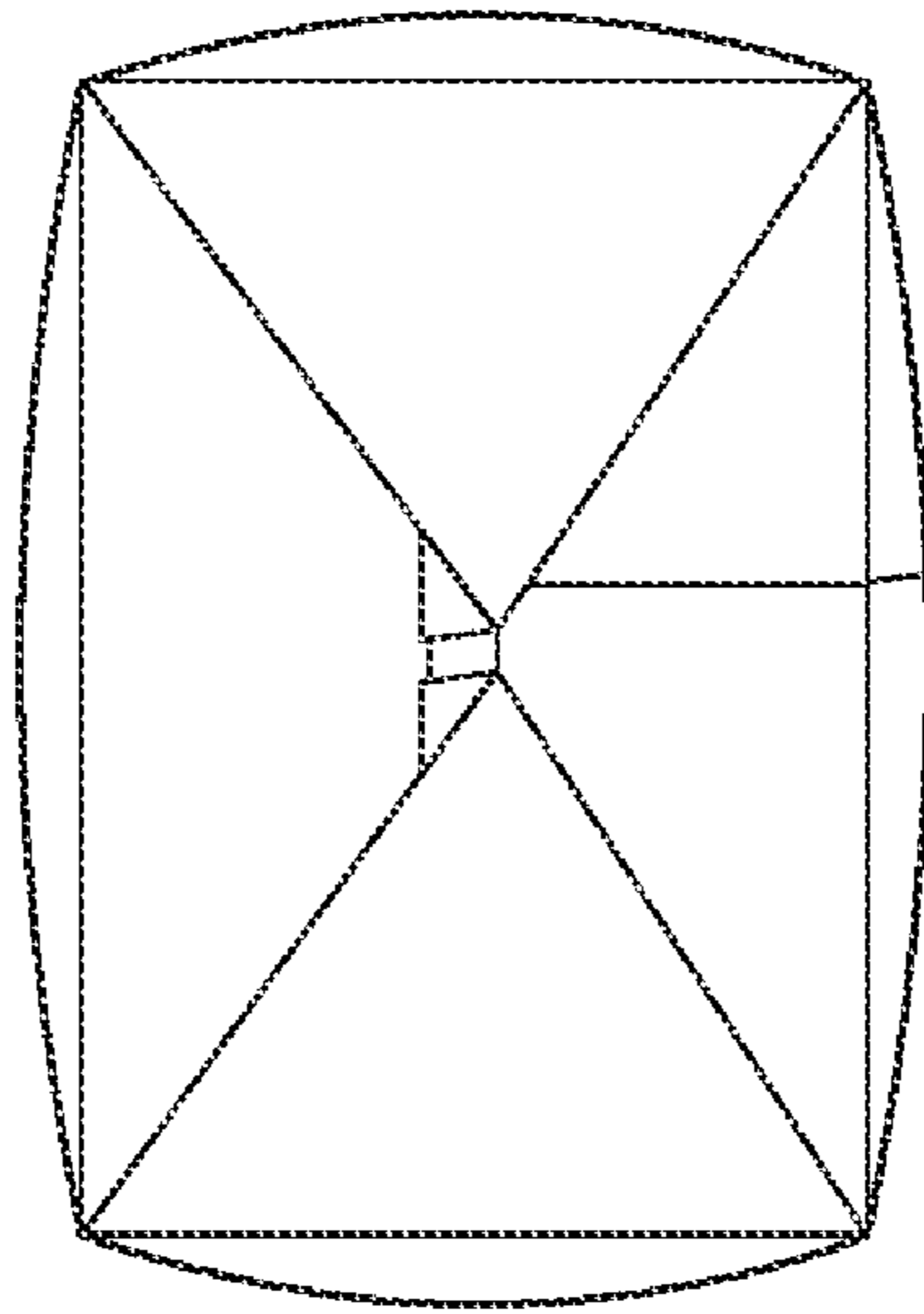


FIGURE 7

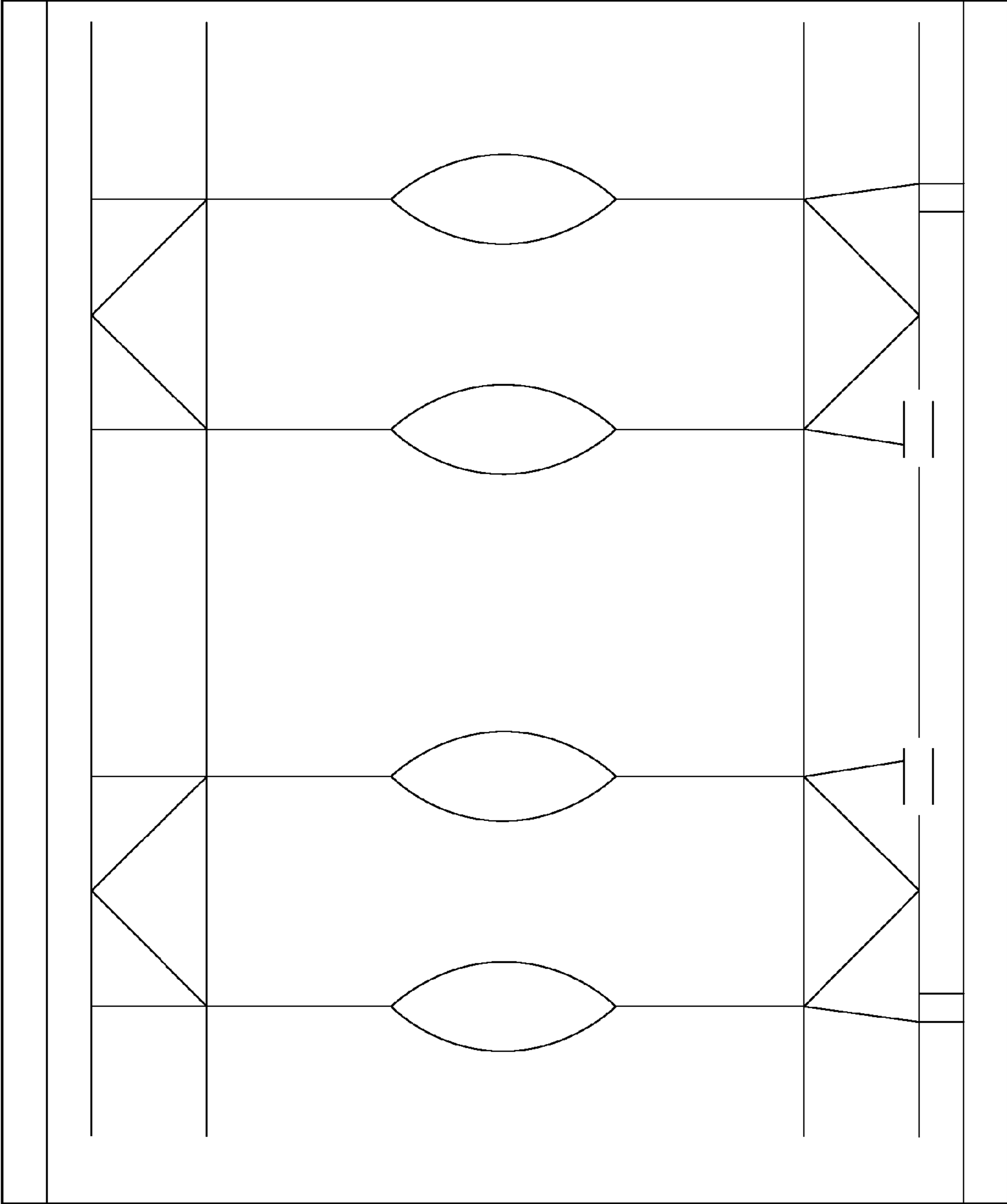


FIGURE 8

UNITED STATES PATENT AND TRADEMARK OFFICE
CERTIFICATE OF CORRECTION

PATENT NO. : D635,018 S
APPLICATION NO. : 29/359404
DATED : March 29, 2011
INVENTOR(S) : Anna Marie Wallace

Page 1 of 1

It is certified that error appears in the above-identified patent and that said Letters Patent is hereby corrected as shown below:

Title Page, Item (75) Inventor is corrected to read:
-- Anna Marie Wallace, of Modena Italy. --.

Signed and Sealed this
Seventeenth Day of March, 2015



Michelle K. Lee
Director of the United States Patent and Trademark Office