



US00D635015S

(12) **United States Design Patent**
McKenzie

(10) **Patent No.:** **US D635,015 S**
(45) **Date of Patent:** **** Mar. 29, 2011**

- (54) **CONTAINER WITH LABEL**
- (75) Inventor: **Aaron McKenzie**, London (GB)
- (73) Assignee: **British American Tobacco (Investments) Limited**, London (GB)
- (**) Term: **14 Years**
- (21) Appl. No.: **29/375,091**
- (22) Filed: **Sep. 17, 2010**

Related U.S. Application Data

- (62) Division of application No. 29/334,319, filed on Mar. 24, 2009.

(30) **Foreign Application Priority Data**

- Sep. 24, 2008 (EM) 001010078-0001
- Sep. 24, 2008 (EM) 001010078-0002

- (51) **LOC (9) Cl.** **09-03**
- (52) **U.S. Cl.** **D9/416; D9/438**
- (58) **Field of Classification Search** D9/500,
D9/502-505, 529, 535, 537, 539-540, 549,
D9/558, 416, 443, 682, 686, 688-692, 434,
D9/436, 438, 499; 215/379, 381-383; 220/660,
220/669-673, 675, 269-270, 712; D28/4,
D28/76, 78; D20/11, 19, 22, 27-28; 40/299.01,
40/306, 310-311; 283/56, 81
See application file for complete search history.

(56) **References Cited**

U.S. PATENT DOCUMENTS

- 1,103,859 A 7/1914 Austin
- 3,189,214 A * 6/1965 Henchert 220/270
- 3,367,531 A * 2/1968 Ellis 220/270
- 3,812,993 A 5/1974 Yoshioka et al.
- D303,584 S 9/1989 Bakic
- D350,837 S * 9/1994 Kirby D28/82
- 5,460,287 A 10/1995 Cargile et al.

- 5,556,365 A * 9/1996 Drummond et al. 493/299
- D381,773 S 7/1997 Hemsley, Jr.
- D382,202 S * 8/1997 Setty et al. D9/438
- D385,790 S * 11/1997 Setty et al. D9/438
- D399,603 S 10/1998 Hemsley et al.
- D408,590 S 4/1999 Litton
- D433,190 S * 10/2000 Finocchiaro et al. D28/76
- D433,631 S * 11/2000 Walsh D9/516
- 6,196,408 B1 * 3/2001 Setty et al. 220/276
- D447,056 S * 8/2001 Caserta D9/438
- D476,572 S * 7/2003 Merritt D9/504
- D503,620 S * 4/2005 Taylor D9/518
- D517,408 S 3/2006 Gonzalez
- D599,953 S 9/2009 Gibson et al.
- D603,698 S 11/2009 VerWeyst
- 7,757,935 B2 * 7/2010 Clougherty 229/202

* cited by examiner

Primary Examiner — Ian Simmons

Assistant Examiner — Dana L Sipos

(74) *Attorney, Agent, or Firm* — Chadbourne & Parke LLP;
Walter G. Hanchuk

(57) **CLAIM**

The ornamental design for container with label, as shown and described.

DESCRIPTION

FIG. 1 provides a top, front perspective view of a container with label showing my new design in a closed or sealed position;

FIG. 2 provides an above view thereof;

FIG. 3 provides a below view thereof;

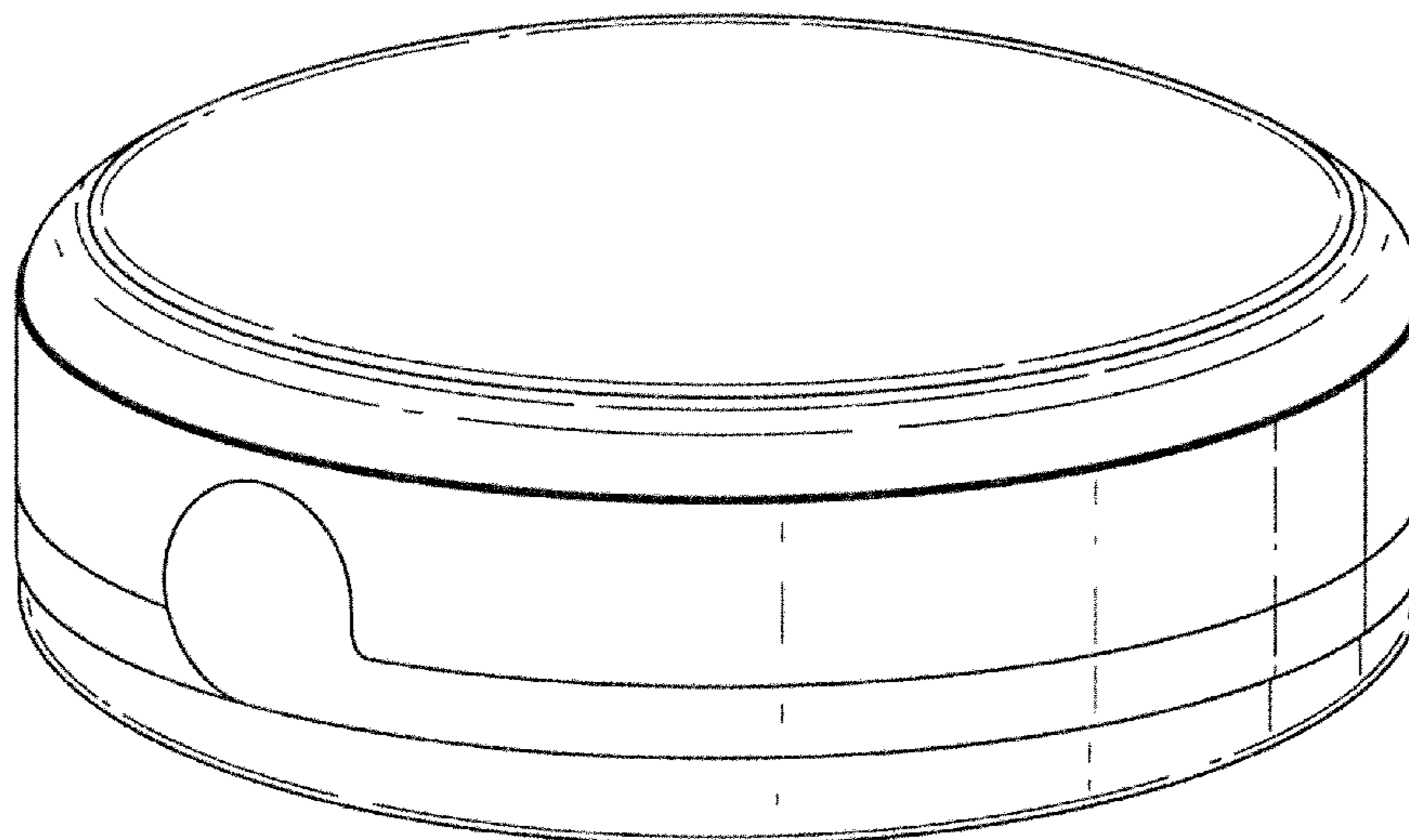
FIG. 4 provides a front view thereof;

FIG. 5 provides a rear view thereof; and,

FIG. 6 provides a top, front perspective view of the container with label of FIG. 1, shown in a partially open or unsealed position.

The unshaded area within the evenly dashed broken lines in FIG. 6 illustrates the portion of the design that forms no part of the claim.

1 Claim, 4 Drawing Sheets



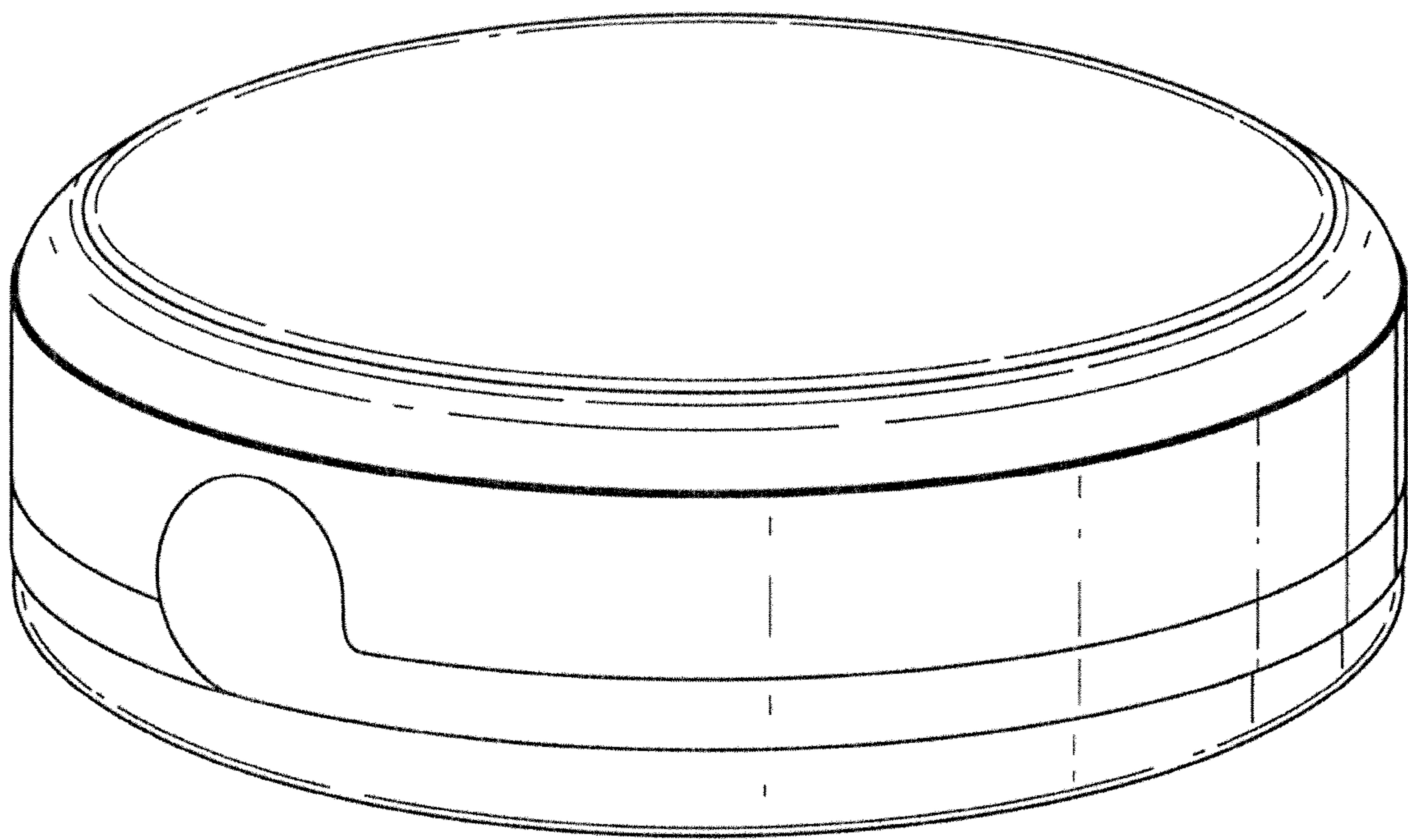


Fig. 1

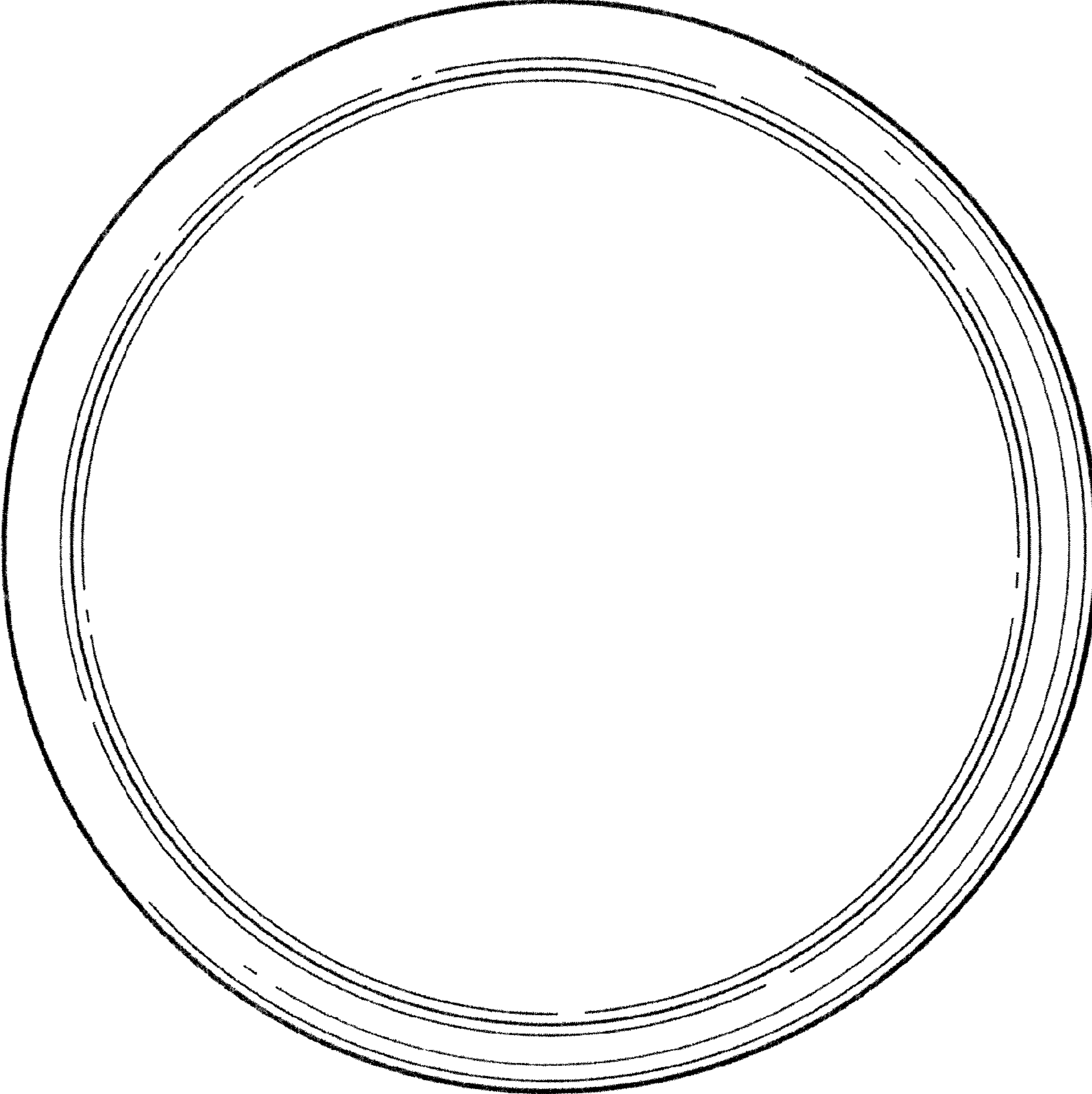


Fig. 2

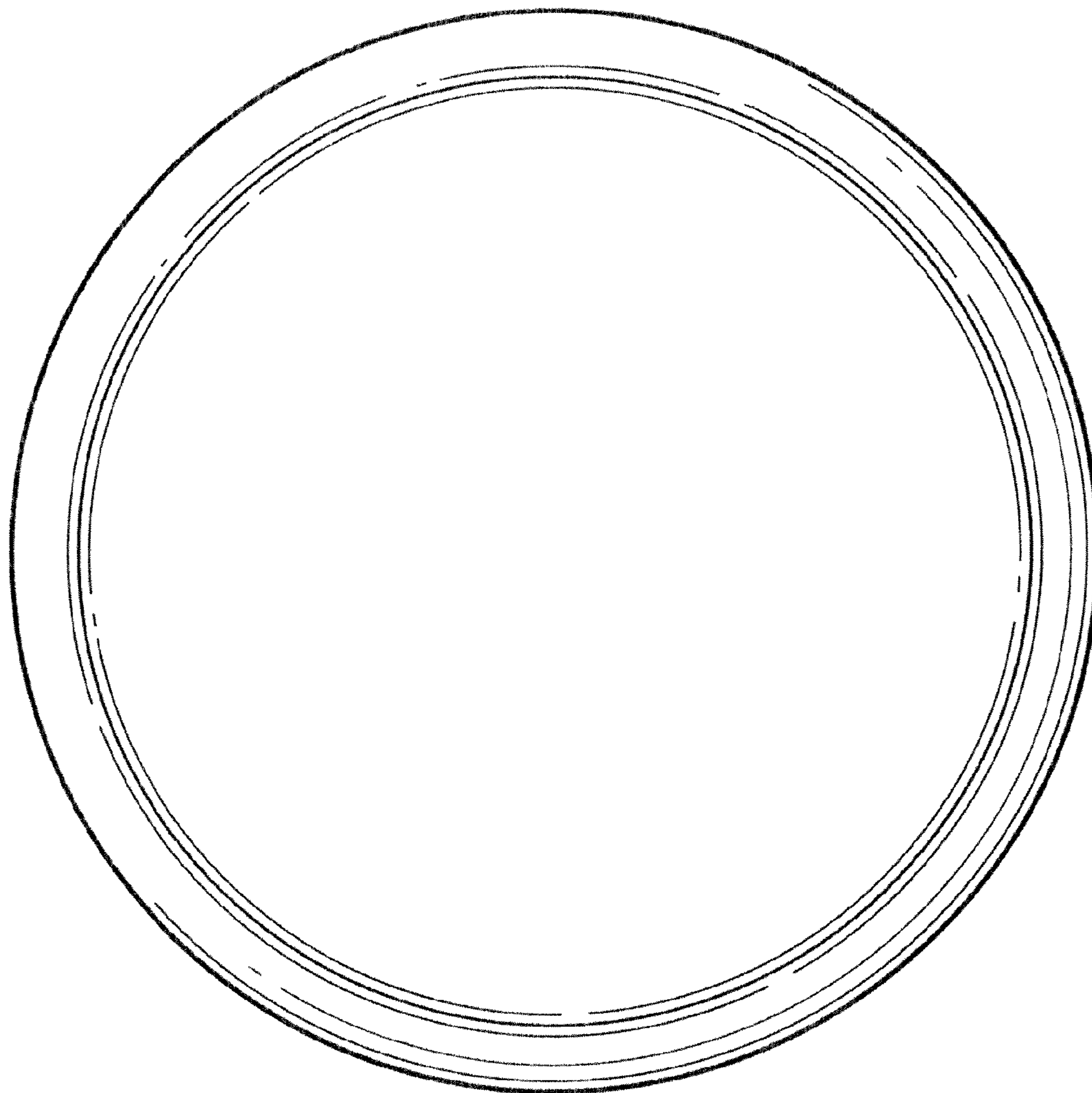


Fig. 3

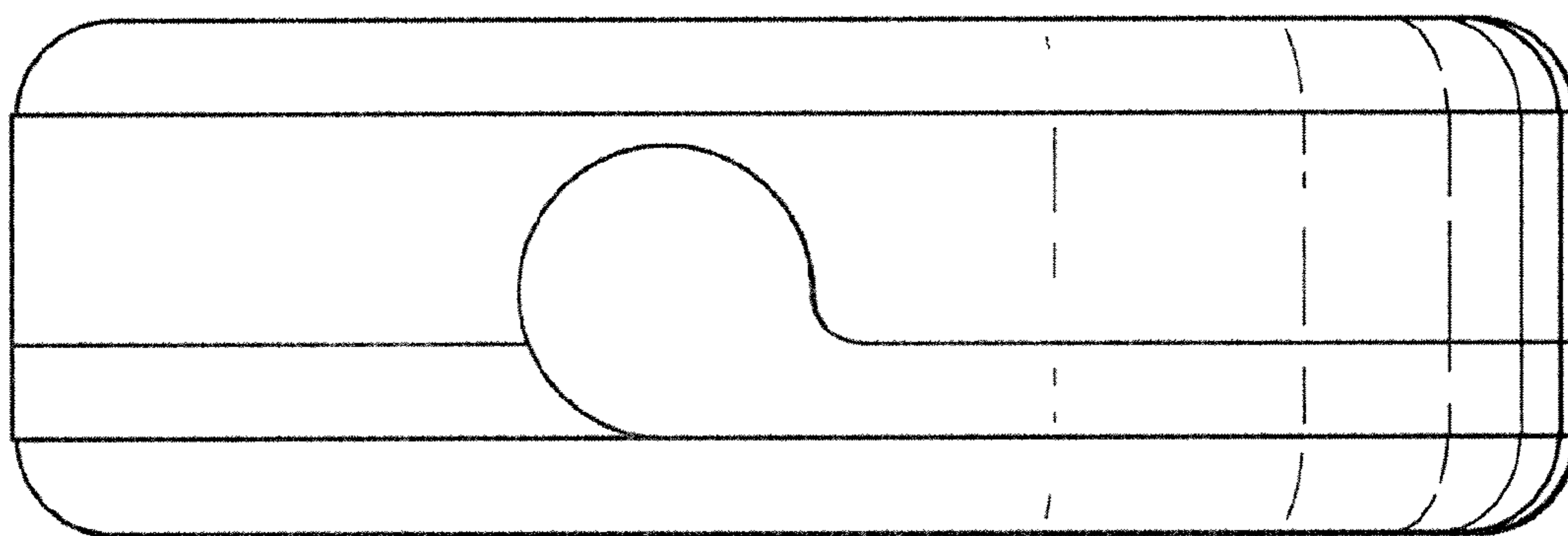


Fig. 4

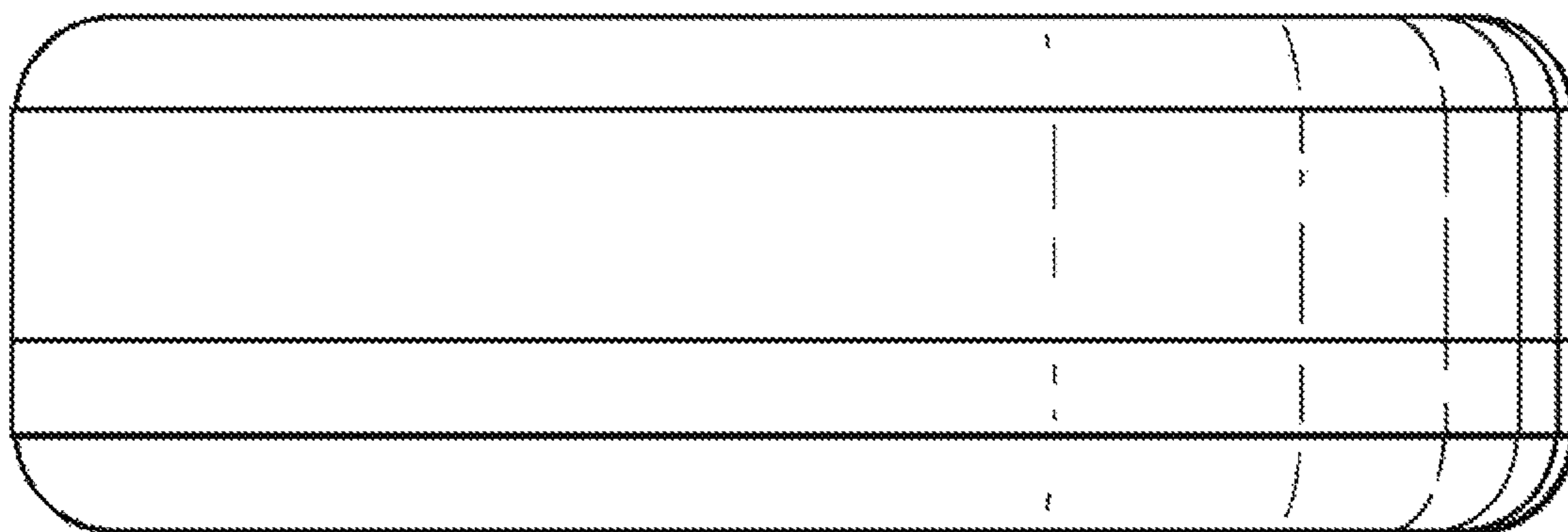


Fig. 5

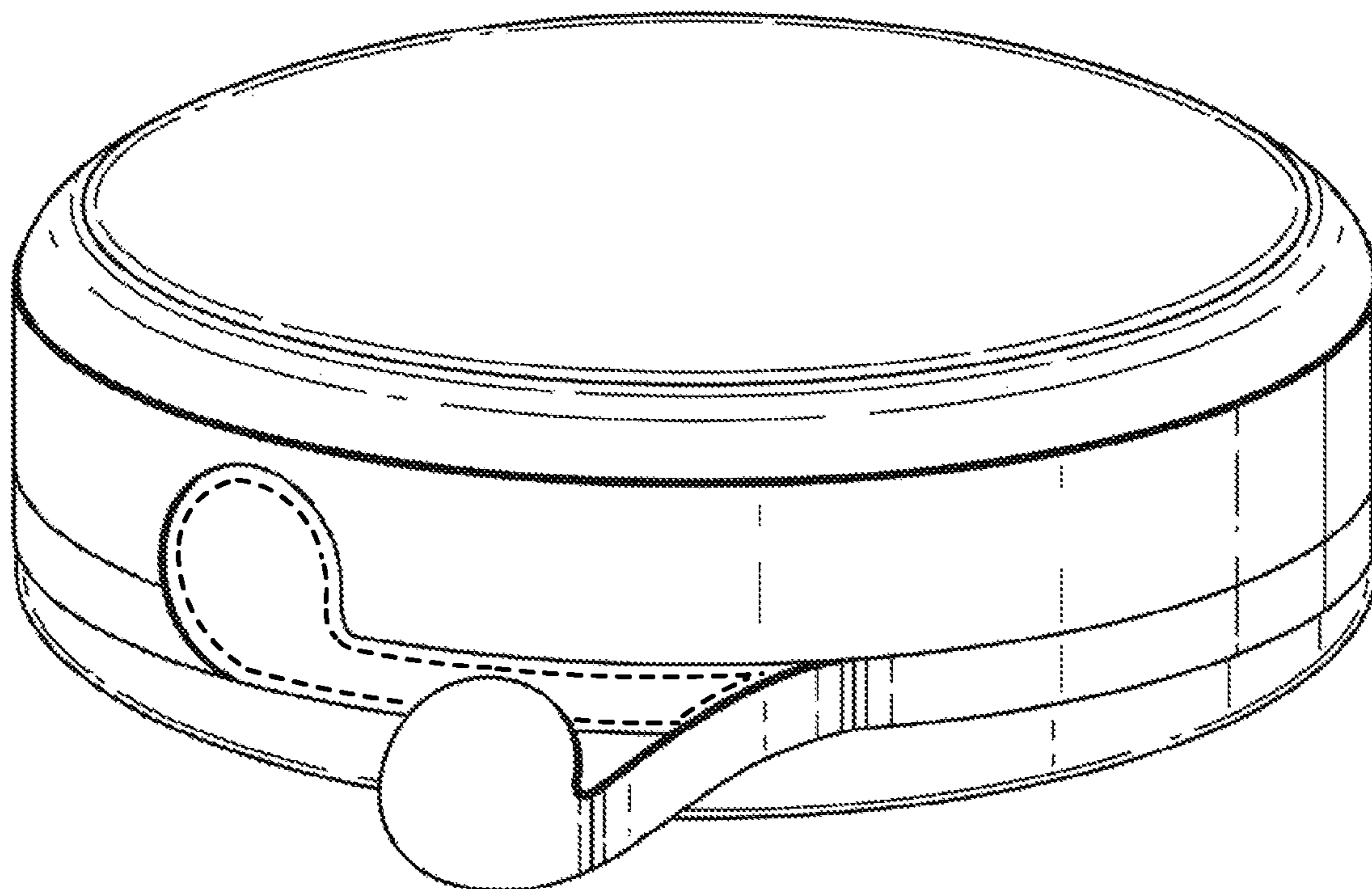


Fig. 6