



US00D635014S

(12) **United States Design Patent**
McAleese

(10) **Patent No.:** **US D635,014 S**
(45) **Date of Patent:** **** Mar. 29, 2011**

(54) **PACKAGING**

(75) Inventor: **Ian McAleese**, Villa Maura (PT)

(73) Assignee: **Atlas Bubble Bag Fabrico de Embalagen Lda** (GB)

(**) Term: **14 Years**

(21) Appl. No.: **29/368,143**

(22) Filed: **Aug. 18, 2010**

Related U.S. Application Data

(63) Continuation of application No. 29/289,479, filed on Jul. 23, 2007, now abandoned.

(30) **Foreign Application Priority Data**

Jan. 30, 2007 (EM) 000664016-0001

(51) **LOC (9) Cl.** **09-03**

(52) **U.S. Cl.** **D9/414; D9/713**

(58) **Field of Classification Search** D3/243,
D3/247, 269, 299, 318; D6/491, 596, 610-612;
D8/400, 499; D9/702, 713, 715, 414, 433,
D9/434-436, 444, 456, 499; 206/205, 320,
206/326, 453, 472, 473, 521, 486, 594;
150/154-168, 601

See application file for complete search history.

(56) **References Cited**

U.S. PATENT DOCUMENTS

1,989,794 A * 2/1935 Duvall 428/102
2,101,403 A * 12/1937 MacDonald et al. 206/326

D118,574 S * 1/1940 Stompe D9/715
2,950,038 A * 8/1960 Rupp 206/521
4,565,733 A * 1/1986 Akao
D303,218 S * 9/1989 Long, Jr. D9/456
5,226,557 A * 7/1993 Nelson 206/523
5,311,996 A * 5/1994 Duffy et al. 206/453
D425,787 S * 5/2000 Kellar D9/431
6,478,061 B2 * 11/2002 Haberkorn 150/154
6,508,484 B1 * 1/2003 Flemons 280/304.3
6,899,229 B2 * 5/2005 Dennison et al. 206/583
6,948,600 B2 * 9/2005 Chuang 190/109
D529,718 S * 10/2006 Rasmussen D3/299
D554,424 S * 11/2007 Sandey et al. D6/612
2003/0052786 A1 * 3/2003 Dickinson 340/572.8
2005/0109655 A1 5/2005 Vershum et al.
2007/0204945 A1 * 9/2007 Ross 150/165
2008/0190806 A1 * 8/2008 Shin 206/521

* cited by examiner

Primary Examiner — Catherine Tuttle

(74) *Attorney, Agent, or Firm* — Stetina Brunda Garred & Brucker

(57) **CLAIM**

The ornamental design for a packaging, as shown and described.

DESCRIPTION

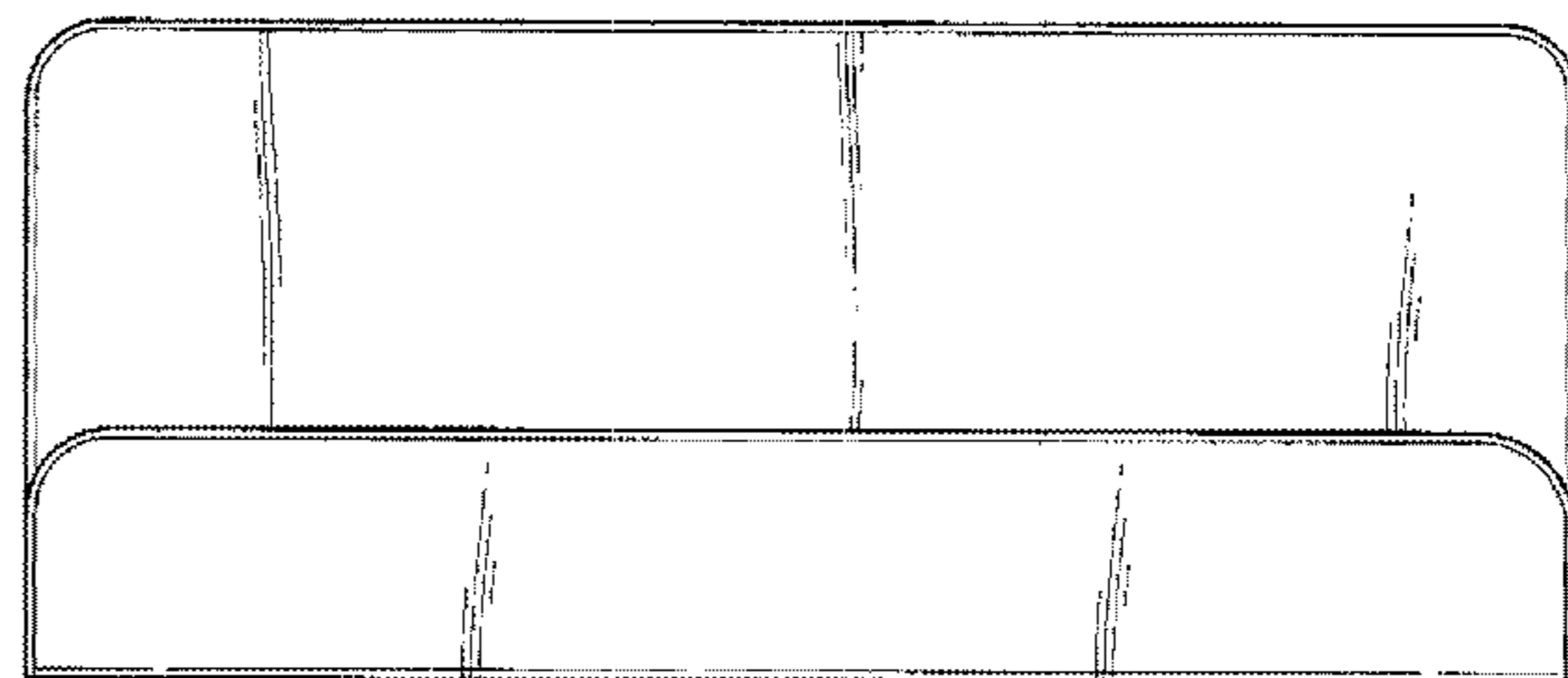
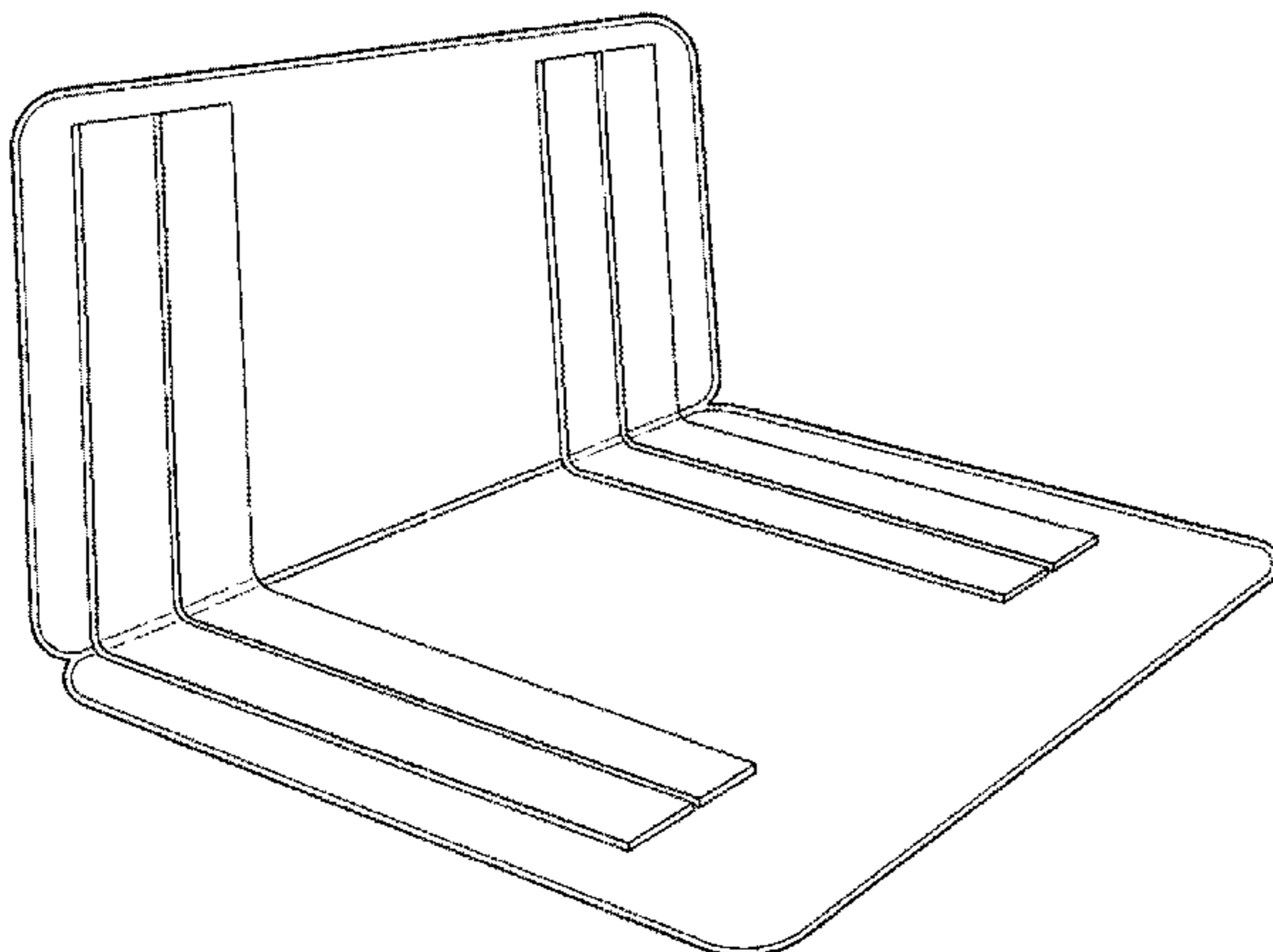
FIG. 1 is a partially folded side perspective view showing my new design for packaging, including padding in the form of narrow strips;

FIG. 2 is an unfolded top plan view thereof;

FIG. 3 is a plan view of the reverse side of FIG. 2; and,

FIG. 4 is a plan view showing the design in an alternate, folded configuration in which the surfaces with padding strips are enclosed.

1 Claim, 4 Drawing Sheets



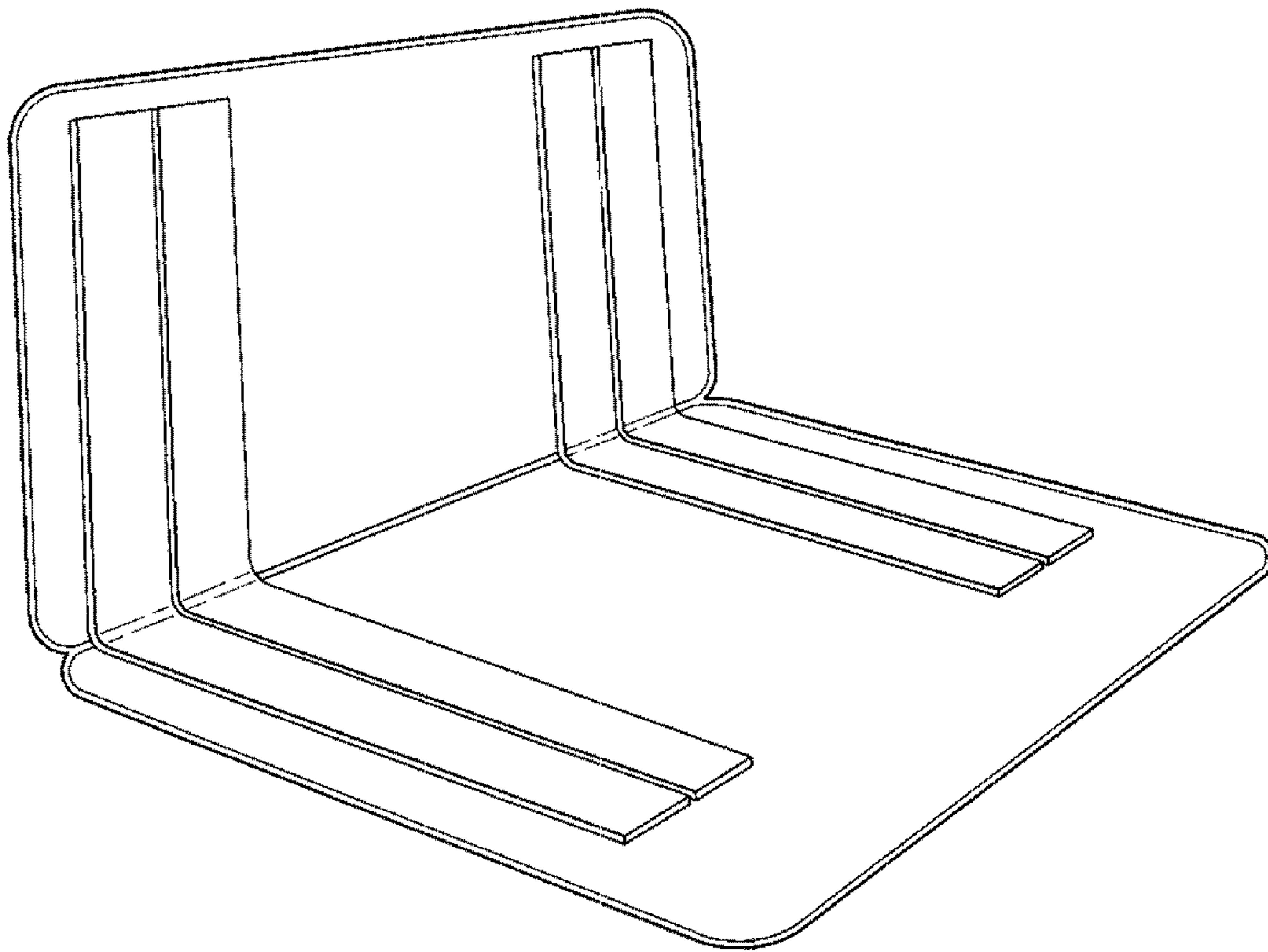


Fig.1

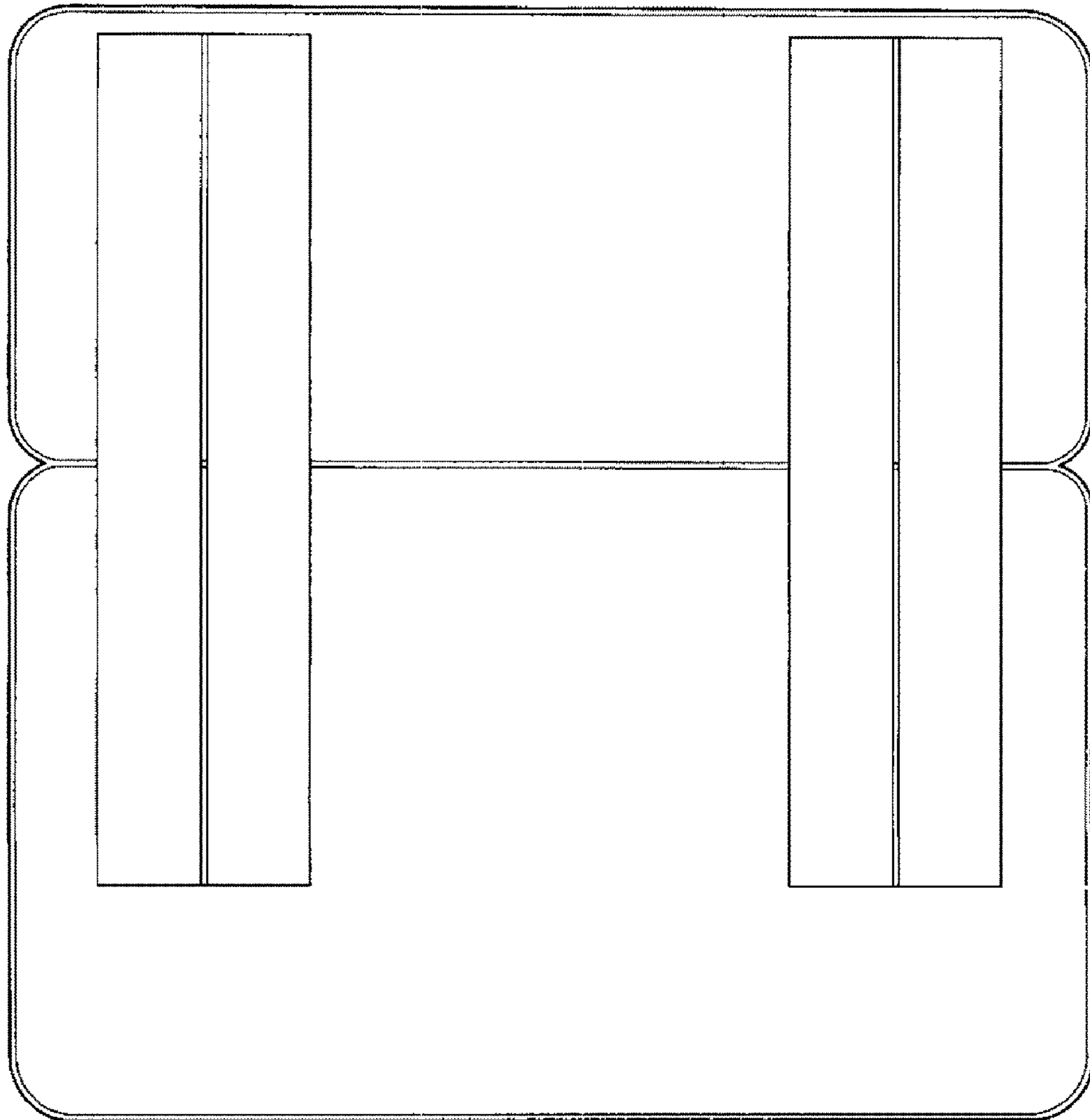


Fig.2

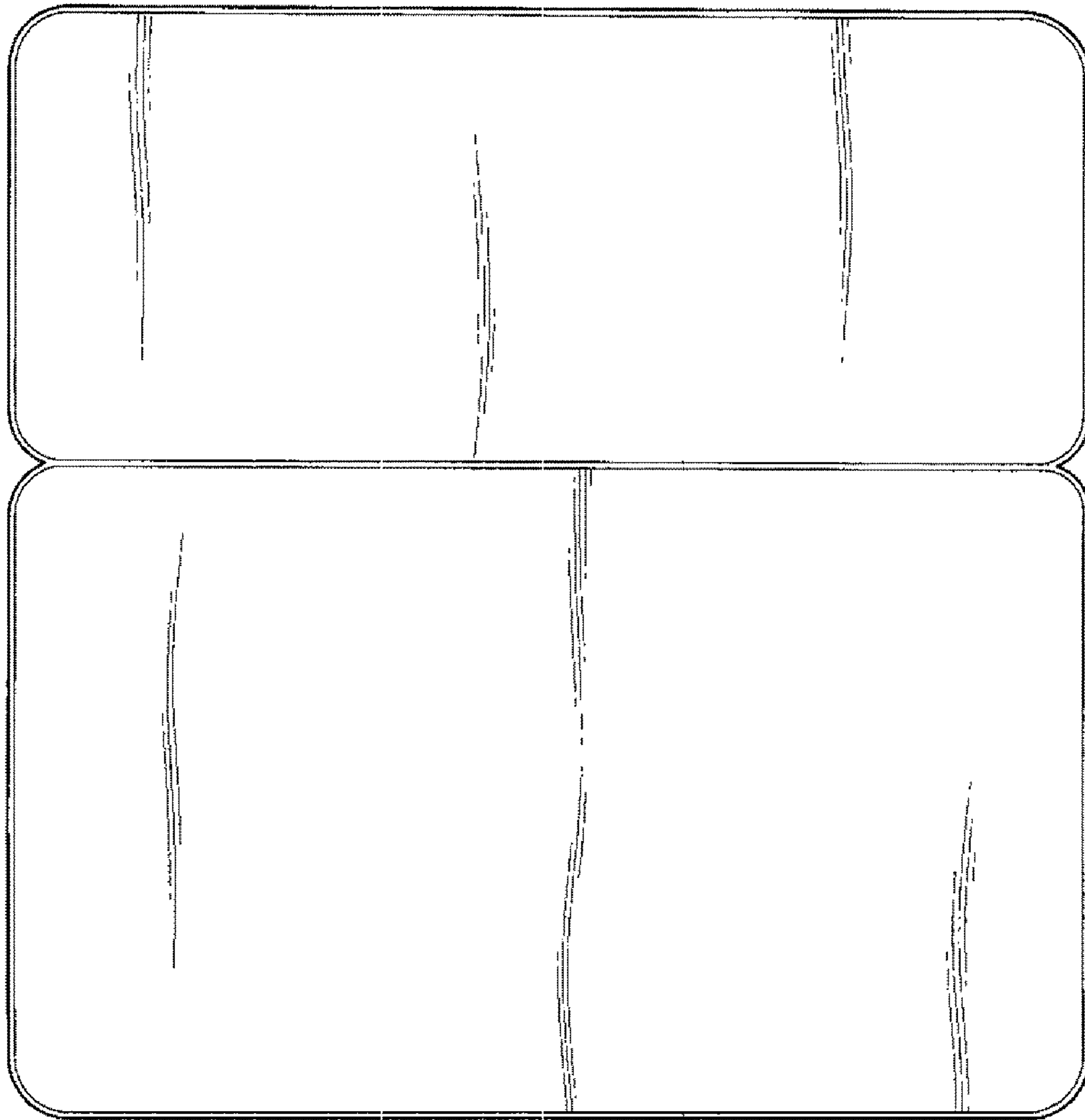


Fig.3

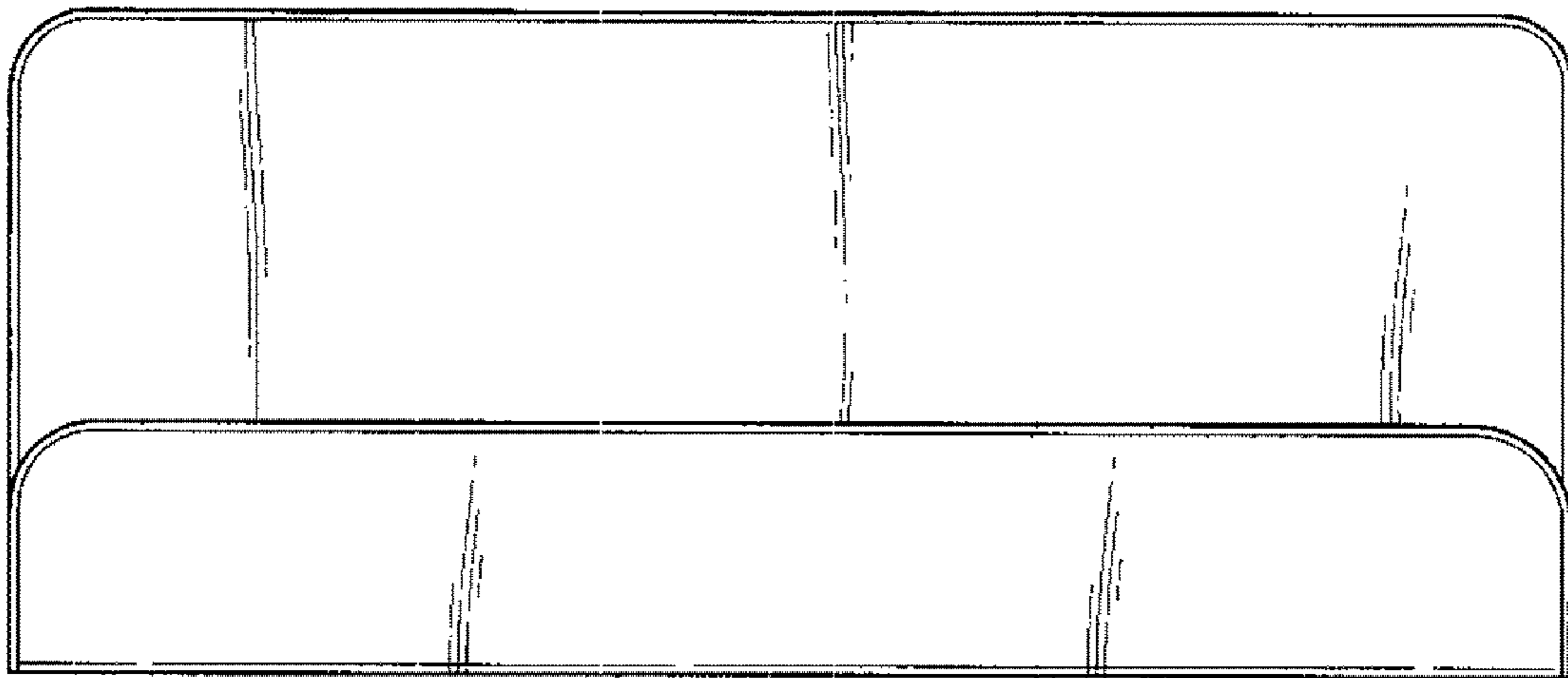


Fig.4