



US00D635013S

(12) **United States Design Patent**
Larsen

(10) **Patent No.:** **US D635,013 S**

(45) **Date of Patent:** **** Mar. 29, 2011**

(54) **WALL MOUNT FOR A DVD CONTAINER**

6,121,527 A * 9/2000 Hamm 84/327
D506,774 S * 6/2005 Stevens D17/99
D607,312 S * 1/2010 Silverman D8/373

(76) Inventor: **Ryan Larsen**, Lynnwood, WA (US)

* cited by examiner

(**) Term: **14 Years**

Primary Examiner — Susan Bennett Hattan

(21) Appl. No.: **29/351,967**

(74) *Attorney, Agent, or Firm* — QuickPatents, Inc.; Kevin Prince

(22) Filed: **Dec. 14, 2009**

(51) **LOC (9) Cl.** **08-05**

(52) **U.S. Cl.** **D8/380**

(58) **Field of Classification Search** D8/381,
D8/380, 373, 371, 366, 363, 354, 349; D6/572,
D6/567, 553, 512, 491, 466, 449, 418, 407;
52/12, 11; 248/917, 629, 309.1, 300, 261,
248/250, 245, 239, 235, 200

See application file for complete search history.

(57) **CLAIM**

What is claimed is the ornamental design for a wall mount for a DVD container, as shown and described.

DESCRIPTION

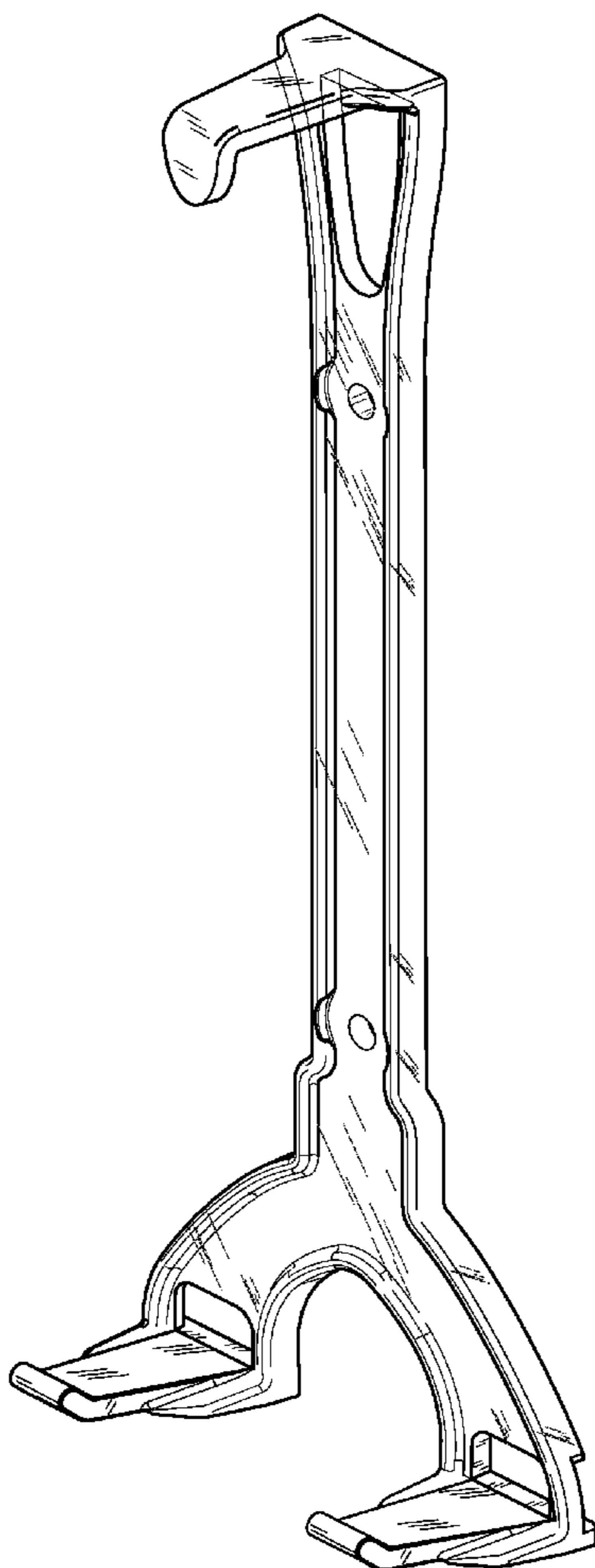
FIG. 1 is a perspective view of a wall mount for a DVD container, showing the new design;
FIG. 2 is a front elevational view thereof;
FIG. 3 is a rear elevational view thereof;
FIG. 4 is a left-side elevational view thereof, the right-side elevational view being a mirror image thereof;
FIG. 5 is a top plan view thereof; and,
FIG. 6 is a bottom plan view thereof

(56) **References Cited**

U.S. PATENT DOCUMENTS

3,982,719 A * 9/1976 Kilborne 248/489
D307,686 S * 5/1990 Cadman D6/572
D329,342 S * 9/1992 Schoenig D6/466

1 Claim, 3 Drawing Sheets



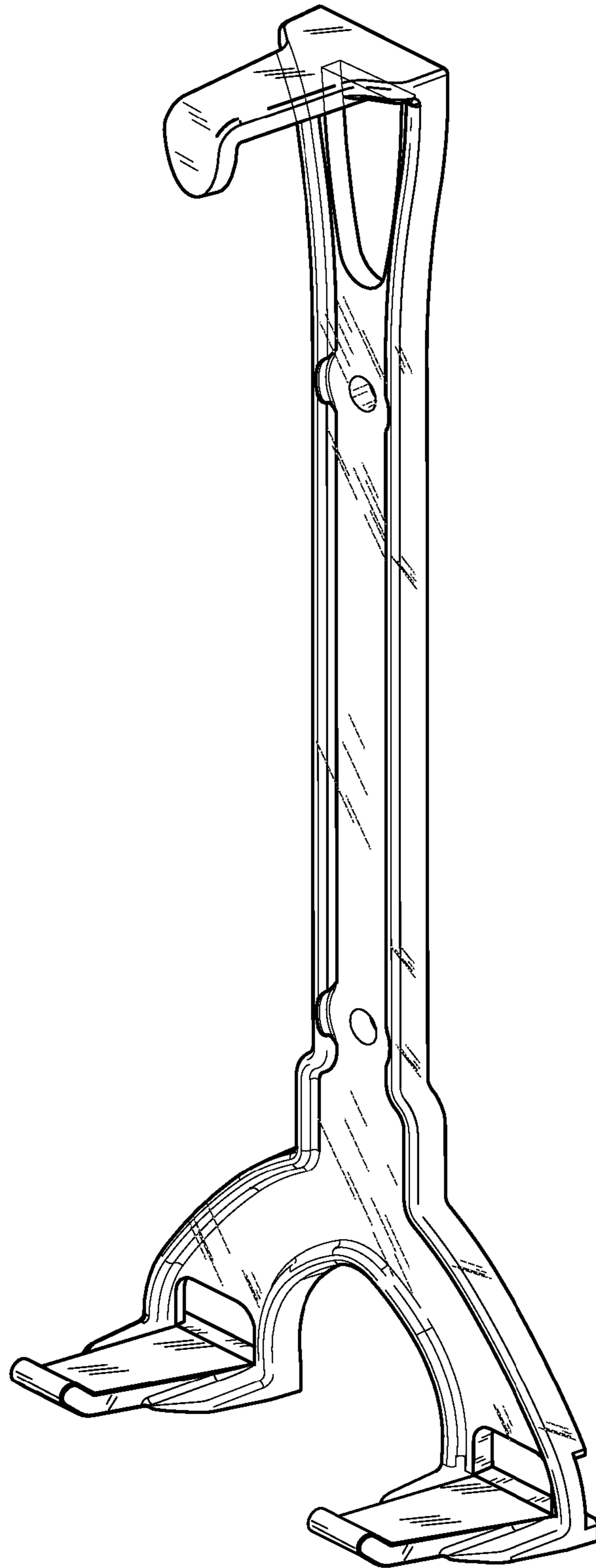


FIG. 1

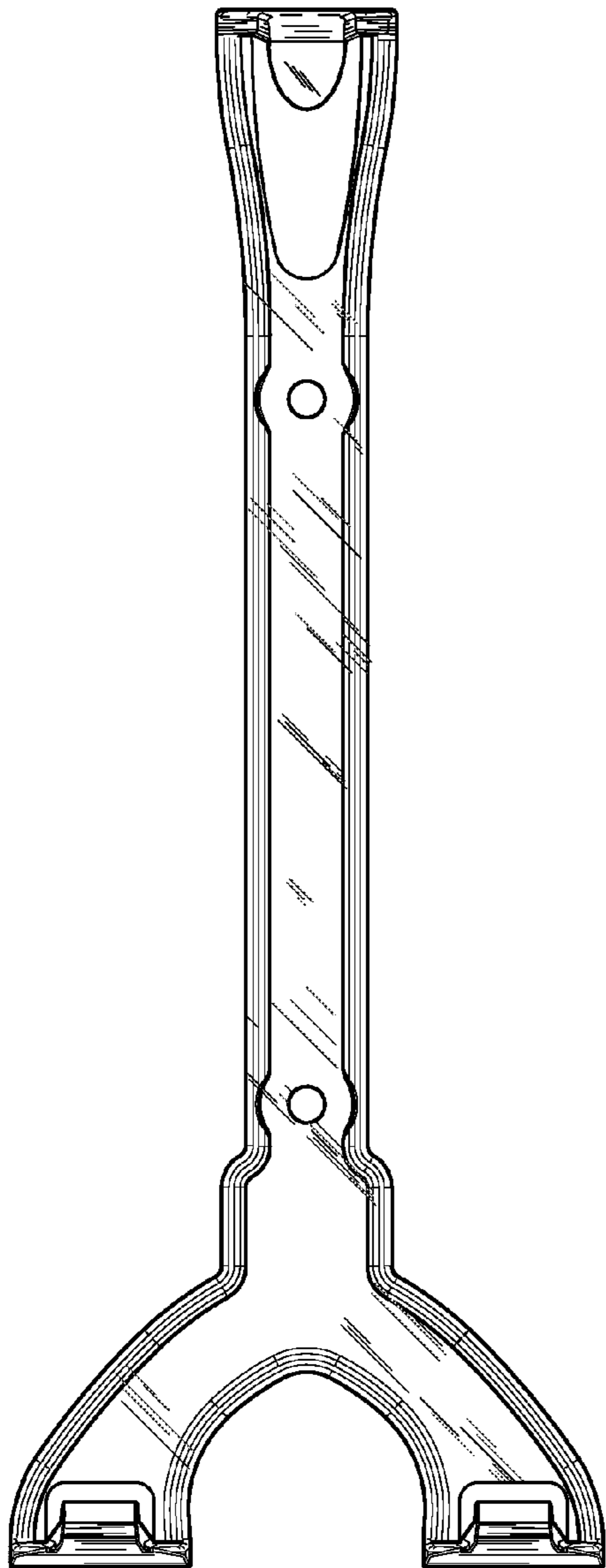


FIG. 2

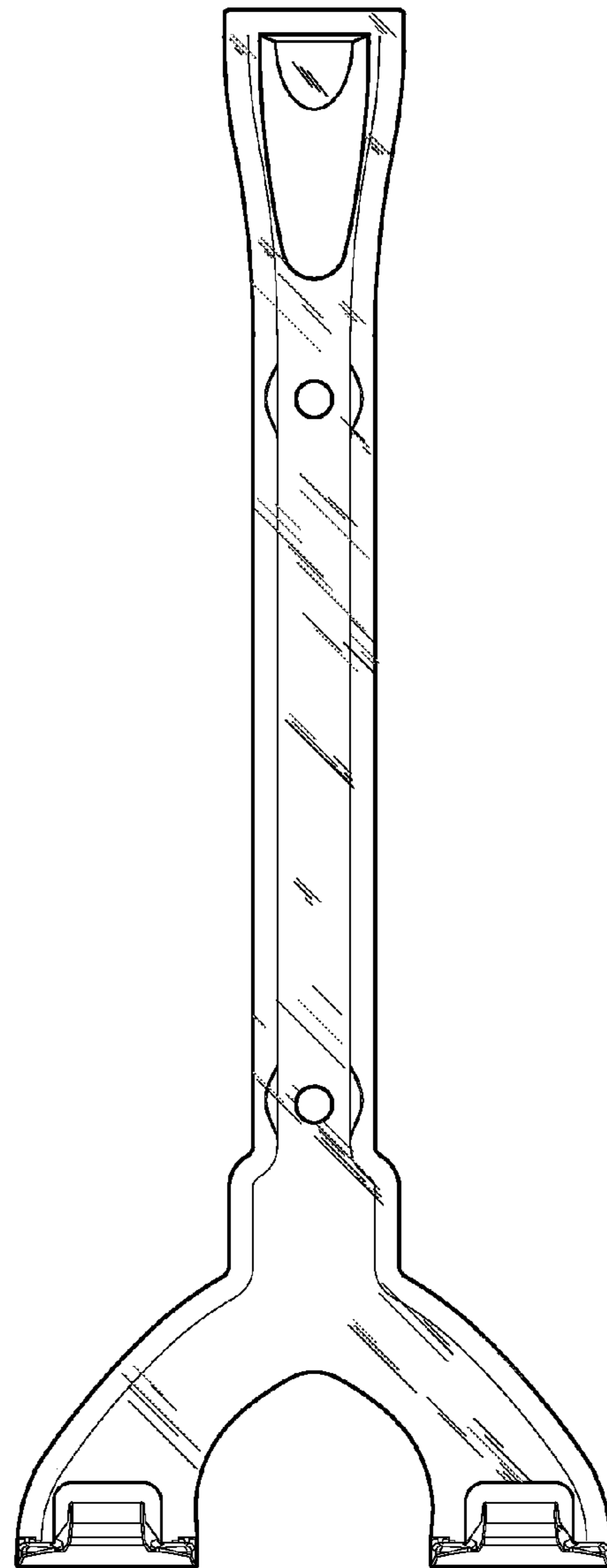


FIG. 3



FIG. 4

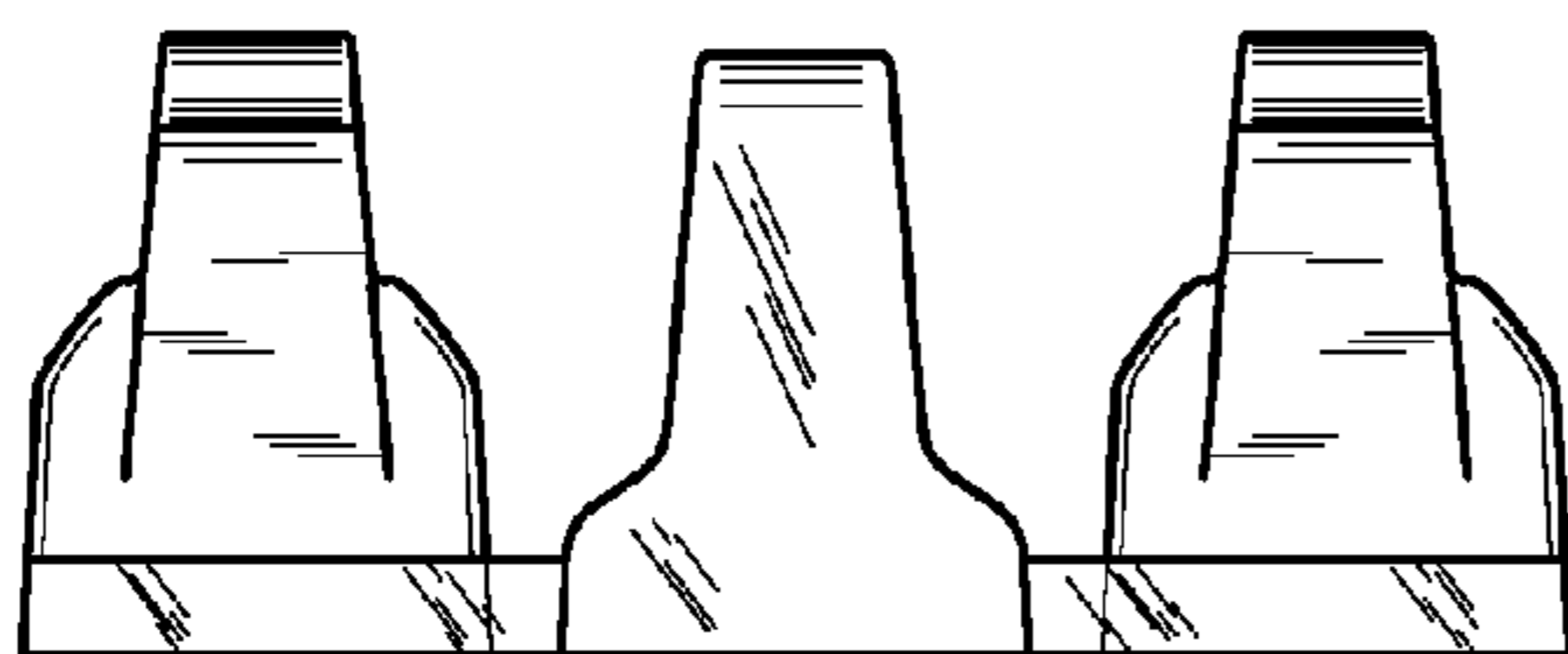


FIG. 5

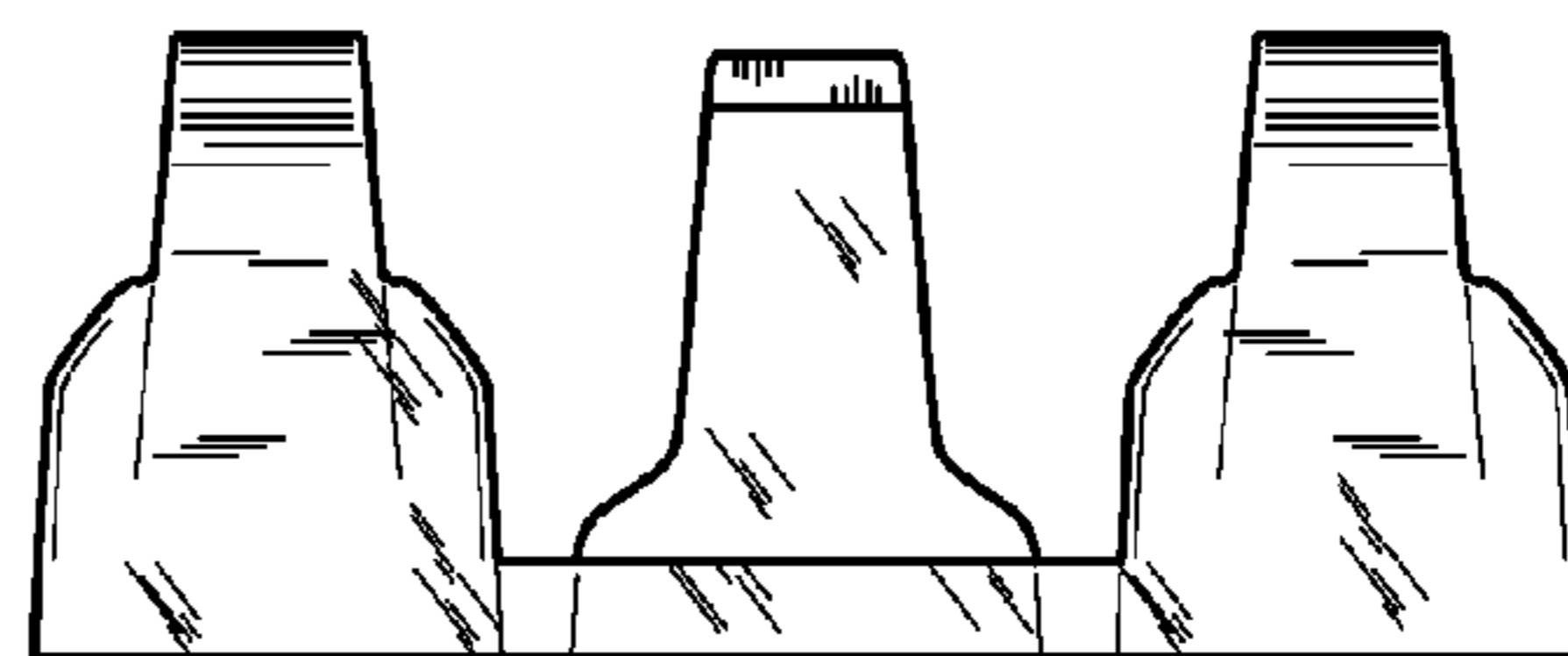


FIG. 6