

US00D635012S

(12) **United States Design Patent**
Sempliner et al.

(10) **Patent No.:** **US D635,012 S**
(45) **Date of Patent:** **** Mar. 29, 2011**

- (54) **GROMMET**
- (75) Inventors: **Arthur T. Sempliner**, Douglaston, NY (US); **Jonathan Pettingill**, Brooklyn, NY (US)
- (73) Assignee: **Upsite Technologies, Inc.**, Santa Fe, NM (US)
- (**) Term: **14 Years**
- (21) Appl. No.: **29/359,108**
- (22) Filed: **Apr. 6, 2010**

5,659,924	A	8/1997	Gildersleeve	
6,194,659	B1	2/2001	Cornu	
6,265,670	B1	7/2001	Duesterhoeft et al.	
6,278,061	B1	8/2001	Daoud	
D453,103	S *	1/2002	Tell	D8/356
D468,622	S *	1/2003	Sarkinen et al.	D8/356
6,632,999	B2	10/2003	Sempliner et al.	
6,936,770	B2	8/2005	Takedomi et al.	
7,253,361	B2 *	8/2007	Nishijima et al.	174/72 A
7,404,736	B2 *	7/2008	Herbst et al.	439/557
D579,762	S *	11/2008	Sempliner et al.	D8/356
7,507,912	B1 *	3/2009	Sempliner et al.	174/153 G
D597,823	S *	8/2009	Sempliner et al.	D8/356
D606,844	S *	12/2009	Glass et al.	D8/356
D612,225	S *	3/2010	Forte	D8/356
RE41,353	E *	5/2010	McGrath et al.	385/134

Related U.S. Application Data

- (62) Division of application No. 12/705,280, filed on Feb. 12, 2010.
- (51) **LOC (9) Cl.** **08-05**
- (52) **U.S. Cl.** **D8/356**
- (58) **Field of Classification Search** D8/356, D8/355, 354, 353, 349, 363, 371, 382; D13/155; 353/13; 52/144; 16/2.1, 2.2; 174/153 G, 174/135, 72 A, 152 G; 248/49, 68.1, 544; 5/503.1; 138/106

See application file for complete search history.

References Cited

U.S. PATENT DOCUMENTS

D50,435	S *	3/1917	Stimpson	D8/356
D138,739	S *	9/1944	Harris	D8/356
3,508,229	A *	4/1970	Stencel, Jr. et al.	360/129
4,344,205	A	8/1982	Latino et al.	
D268,895	S	5/1983	Beleckis	
D282,538	S *	2/1986	Loof et al.	D13/155
D298,494	S	11/1988	Mockett	
D378,408	S *	3/1997	Pyeatt et al.	D24/128

FOREIGN PATENT DOCUMENTS

GB 167605 8/1921

* cited by examiner

Primary Examiner — Cynthia Underwood

(74) *Attorney, Agent, or Firm* — St. Onge Steward Johnston & Reens LLC

(57) **CLAIM**

The ornamental design for a grommet, as shown and described.

DESCRIPTION

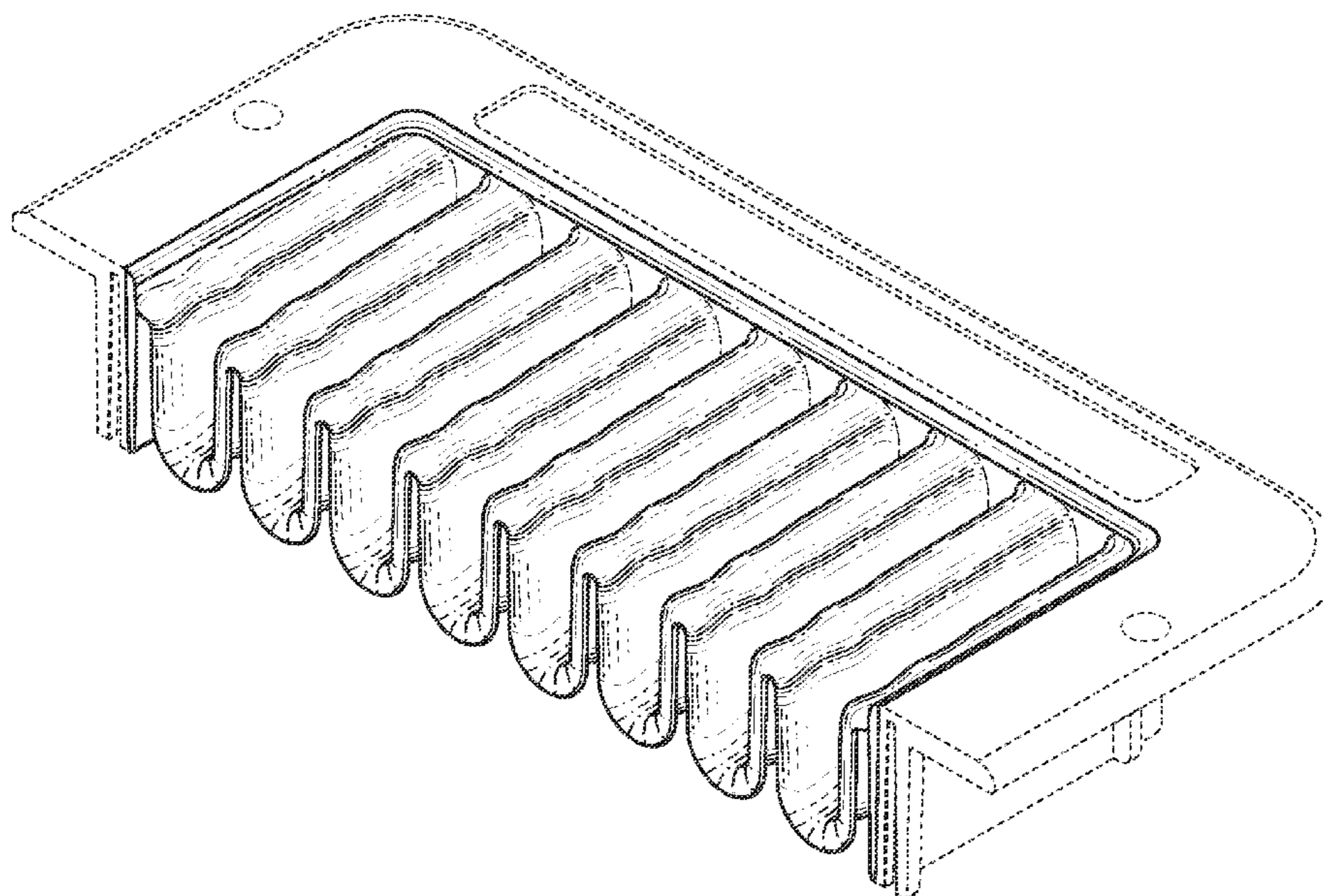
FIG. 1 is a perspective view from above of the grommet of the invention;

FIG. 2 is a top plan view of the grommet of FIG. 1;

FIG. 3 is a bottom plan view of the grommet of FIG. 1; and, FIG. 4 is a front elevation view of the grommet of FIG. 1; the back and sides forming no part of the claimed design.

The broken lines are intended to show environmental structure and form no part of the claimed design.

1 Claim, 3 Drawing Sheets



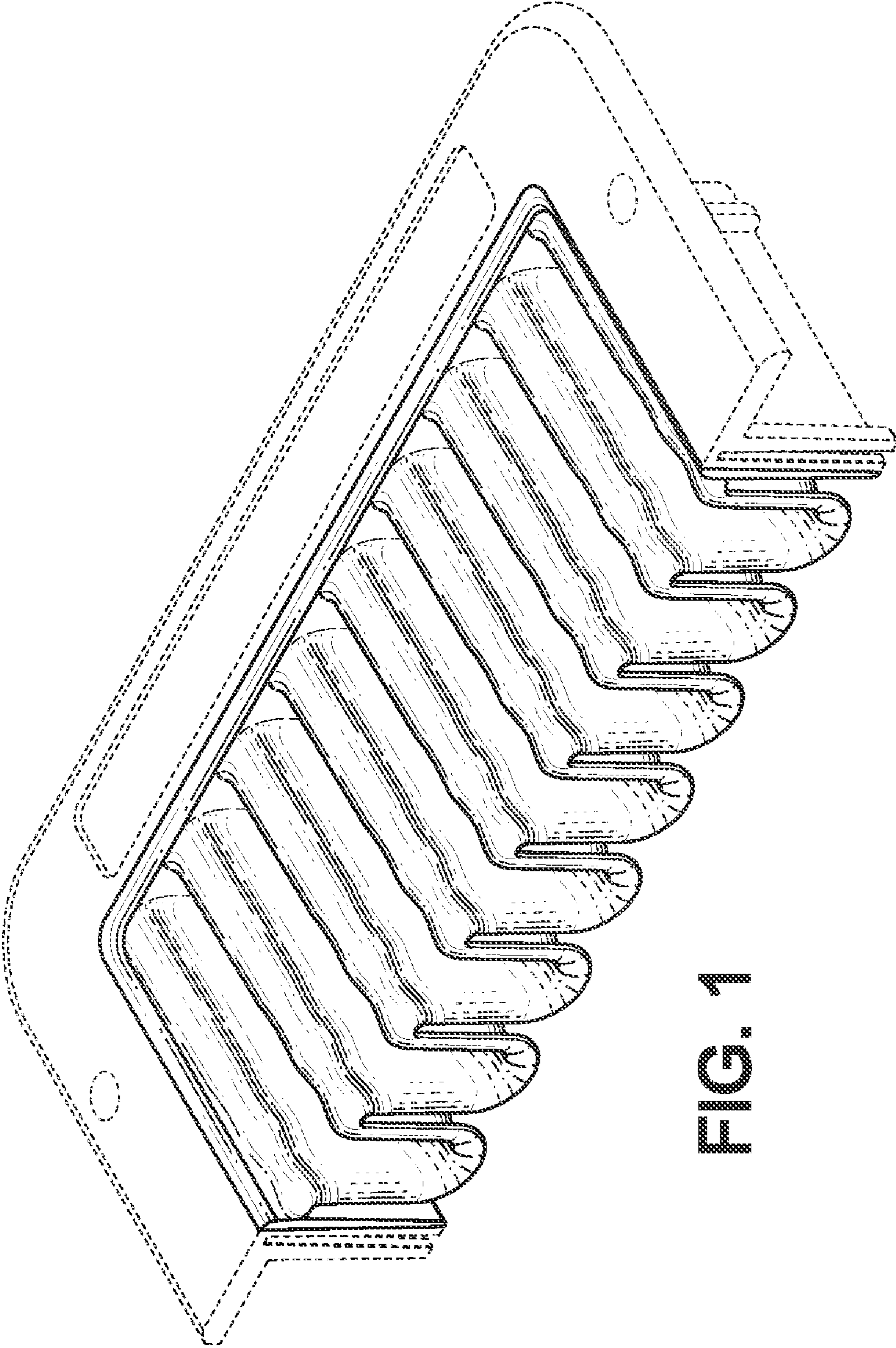


FIG. 1

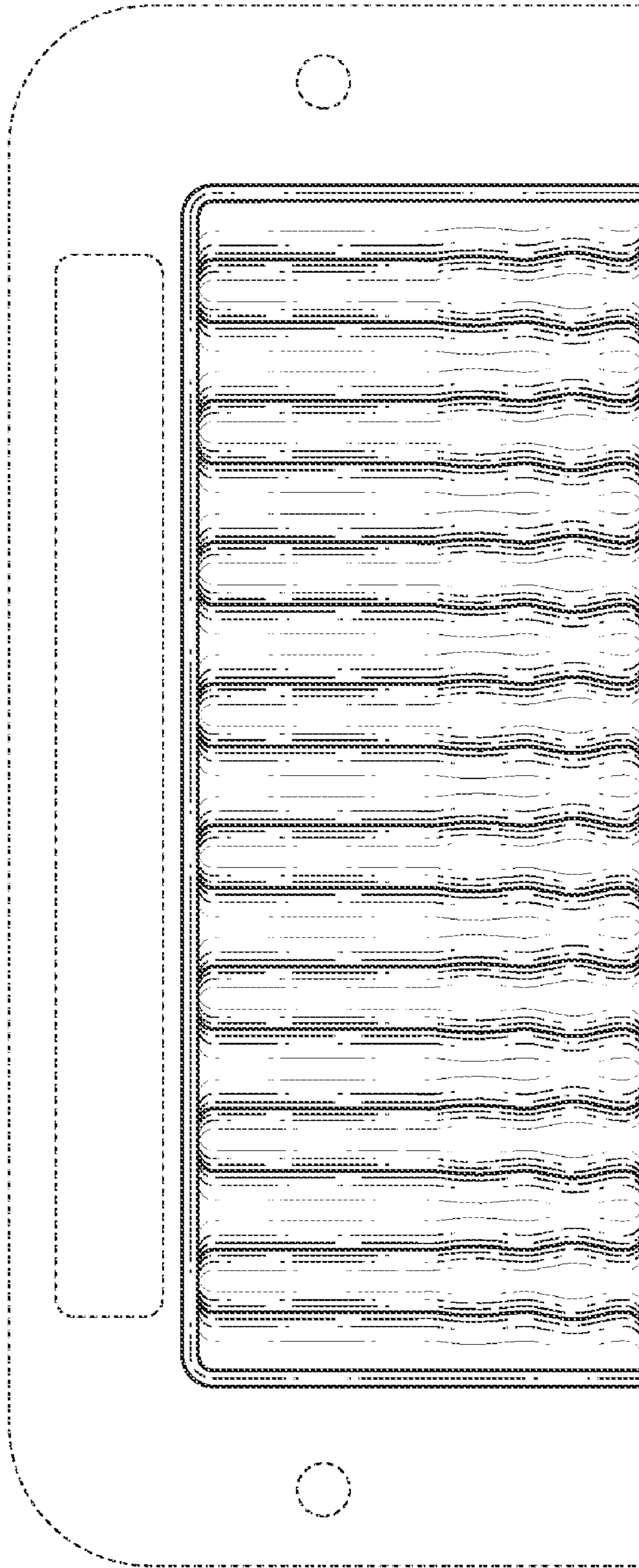


FIG. 2

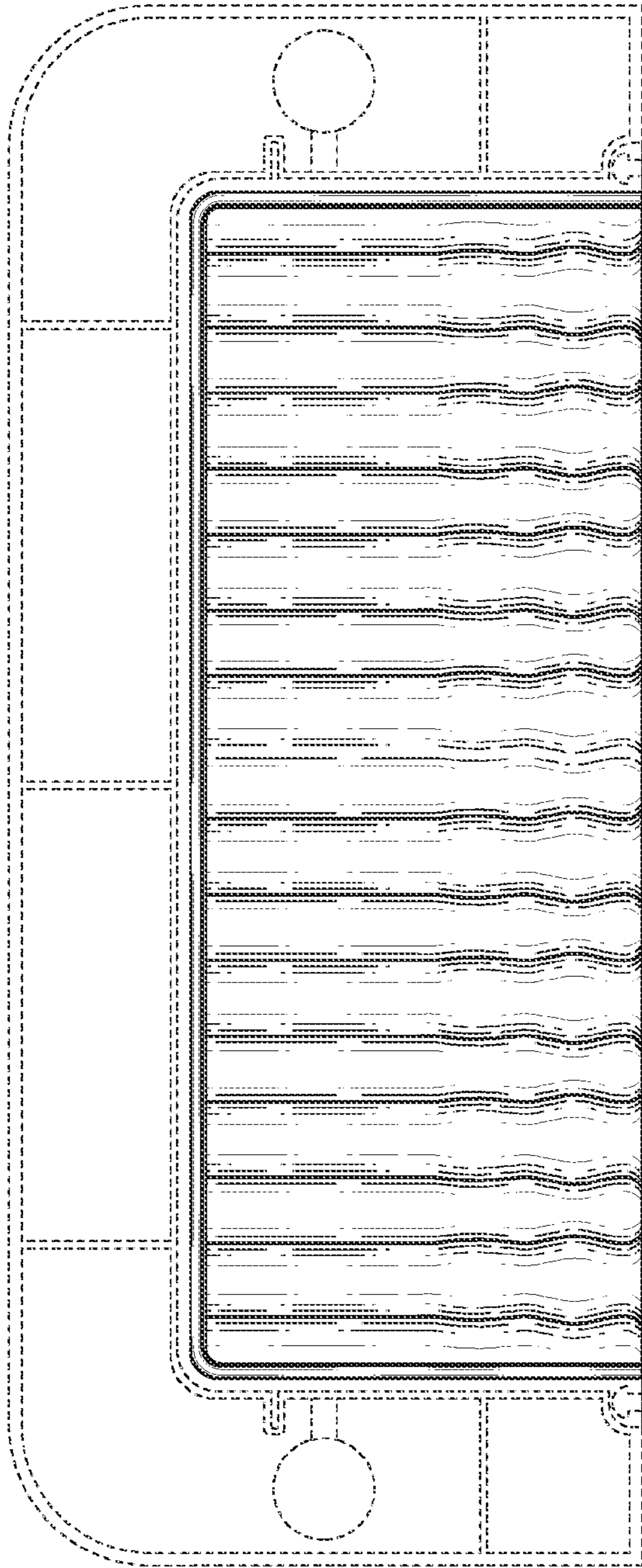


FIG. 3

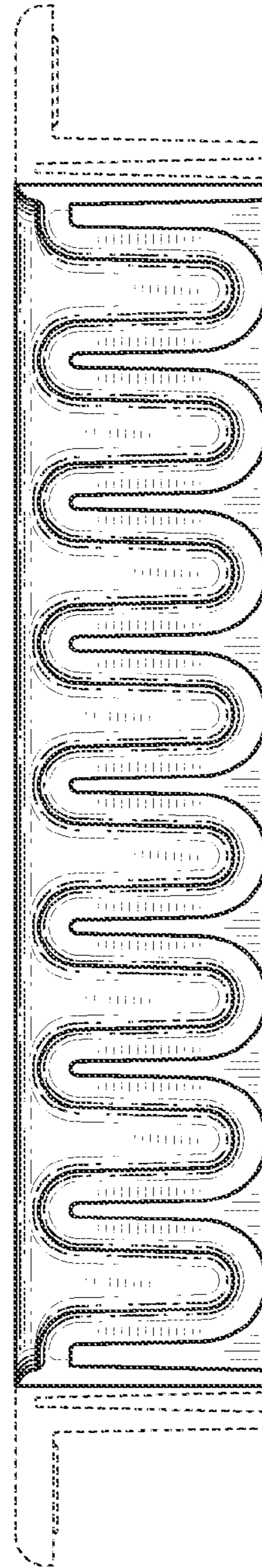


FIG. 4