

US00D635011S

(12) **United States Design Patent**
Fortier

(10) **Patent No.:** **US D635,011 S**
(45) **Date of Patent:** **** Mar. 29, 2011**

(54) **SLIDING BRACKET**

(76) Inventor: **Michel Fortier**, Montreal (CA)

(**) Term: **14 Years**

(21) Appl. No.: **29/113,812**

(22) Filed: **Nov. 15, 1999**

(51) **LOC (9) Cl.** **08-05**

(52) **U.S. Cl.** **D8/355**

(58) **Field of Classification Search** D8/355,
D8/349, 354; 248/231.41, 228.3, 220.21,
248/223.4

See application file for complete search history.

(56) **References Cited**

U.S. PATENT DOCUMENTS

3,955,788 A * 5/1976 Delage 248/228.3
4,775,127 A * 10/1988 Nakamura 248/223.4

FOREIGN PATENT DOCUMENTS

CA 51079 3/1983
CA 60613 4/1988

* cited by examiner

Primary Examiner — Holly Baynham

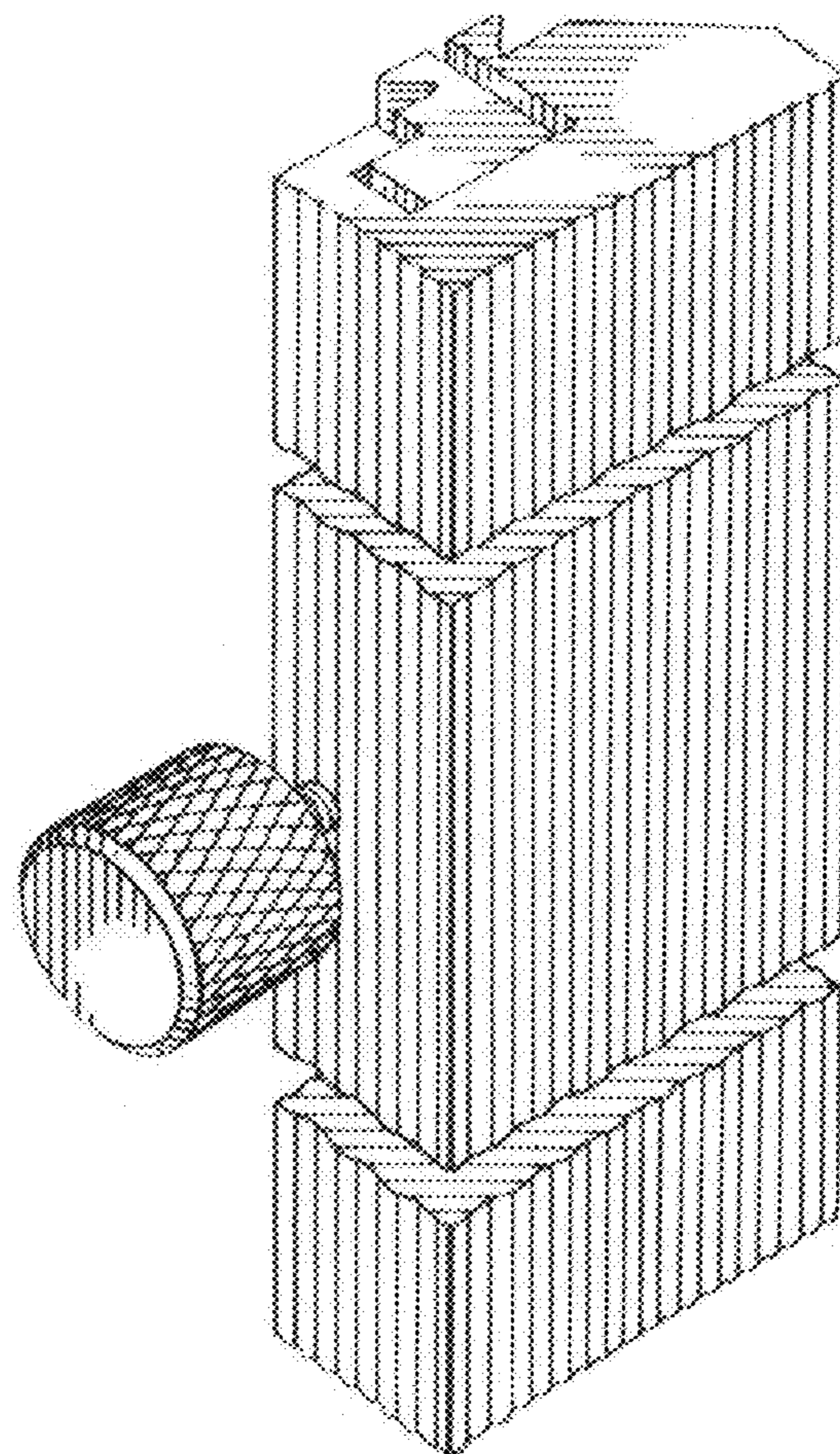
(57) **CLAIM**

The ornamental design for a “sliding bracket”, as shown and described.

DESCRIPTION

FIG. 1 is a perspective view of the sliding bracket showing my new design;
FIG. 2 is a top plan view of the sliding bracket, the opposite view being a mirror image thereof;
FIG. 3 is a front elevational view of the sliding bracket;
FIG. 4 is a rear elevational view of the sliding bracket;
FIG. 5 is a left side view of the sliding bracket; and,
FIG. 6 is a right side view of the sliding bracket.
The claimed design is shown broken away to indicate indeterminate length.

1 Claim, 2 Drawing Sheets



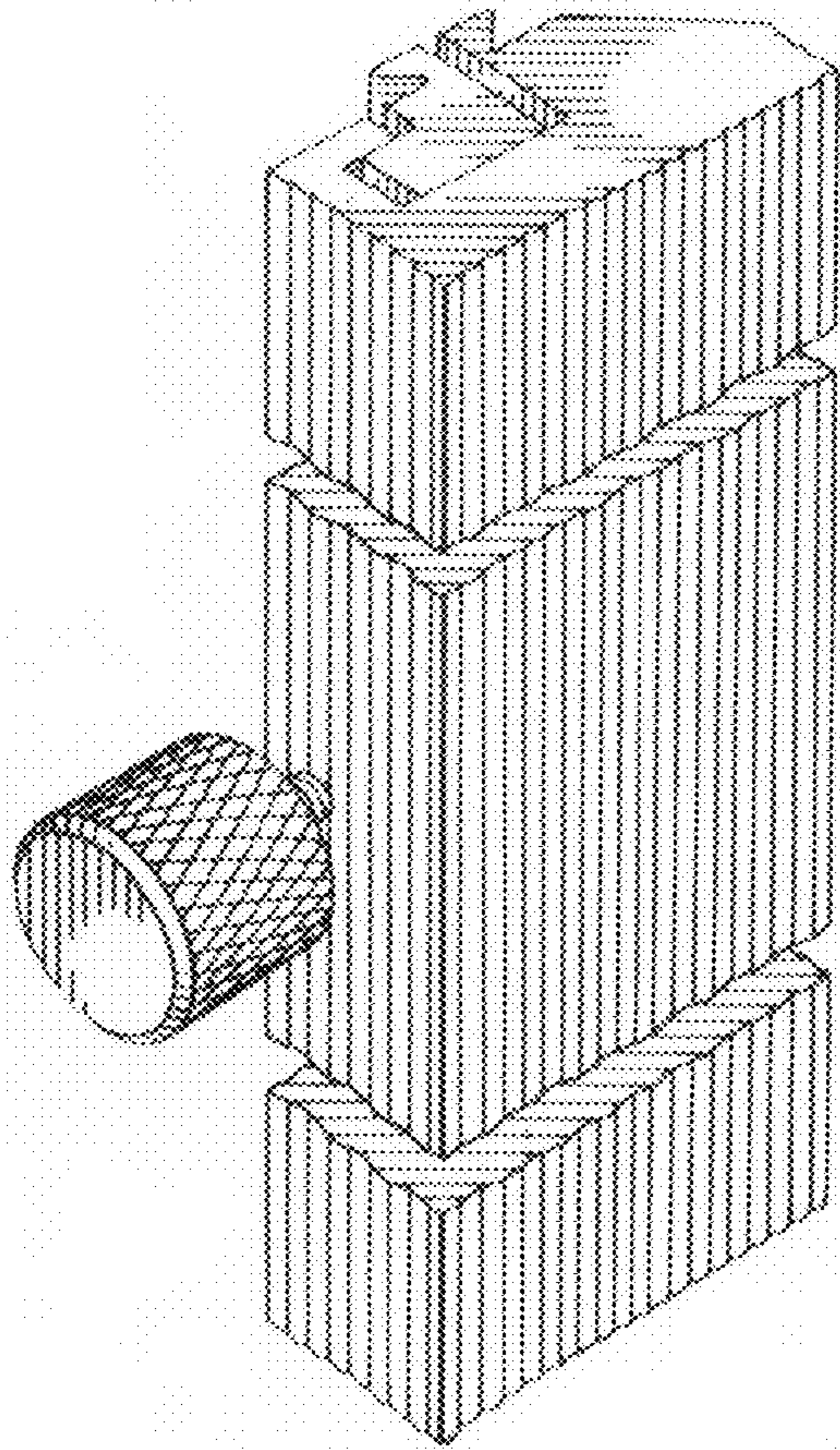


Fig. 1

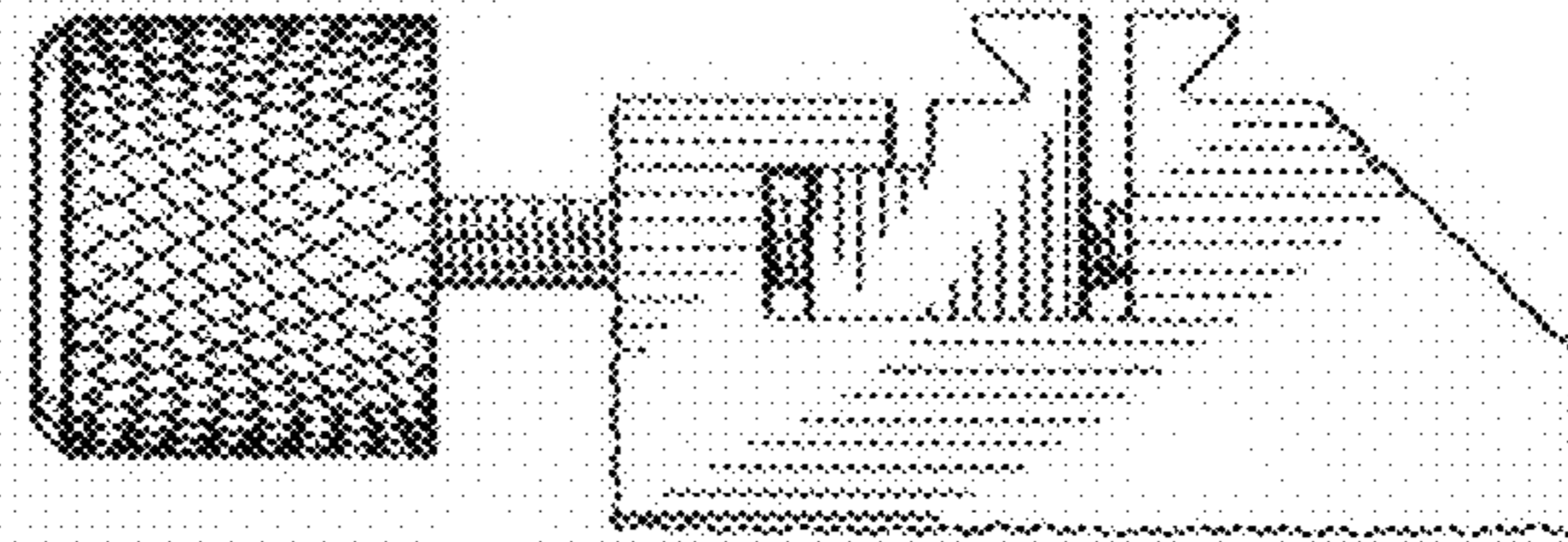


Fig. 2

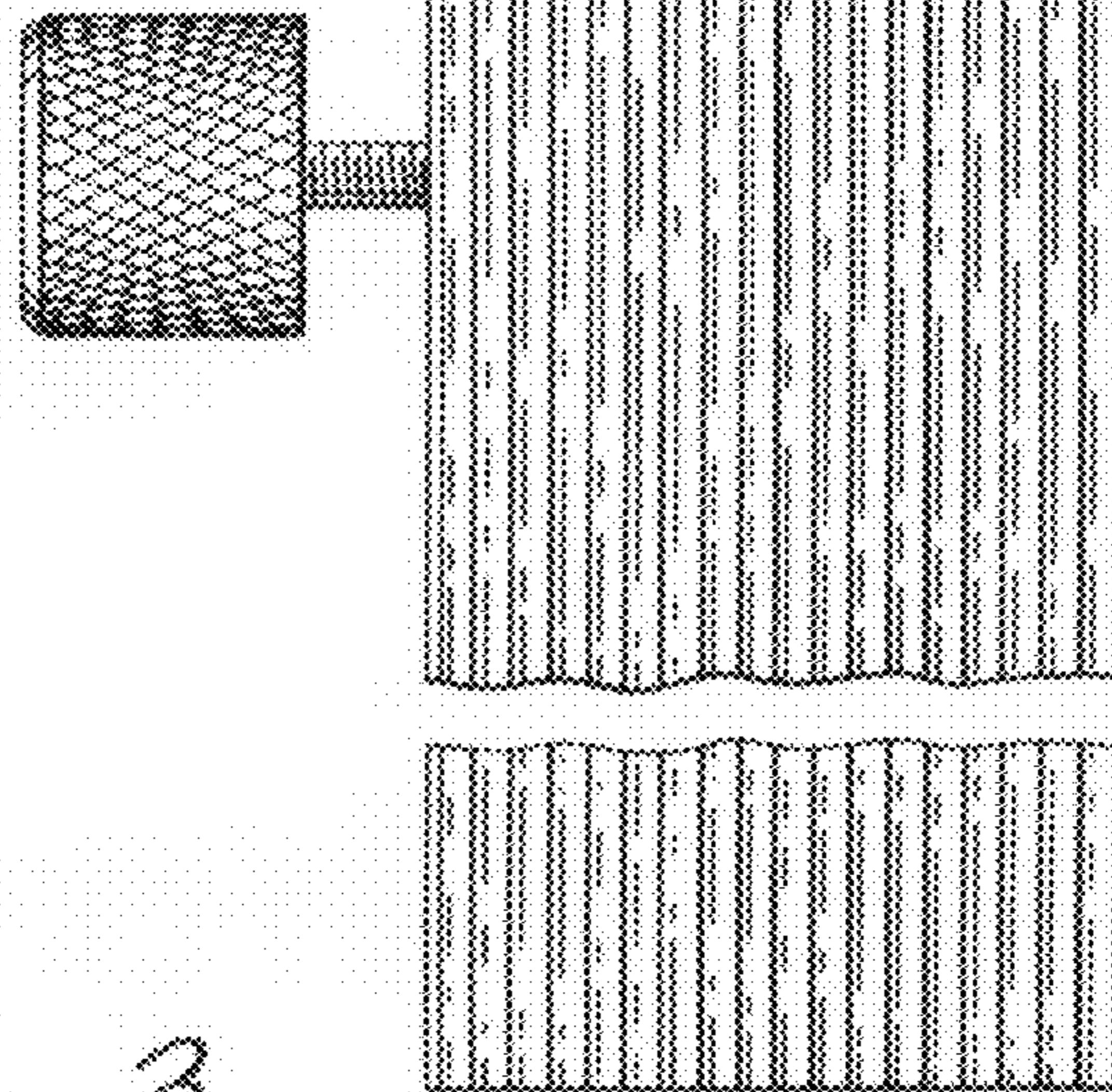


Fig. 3

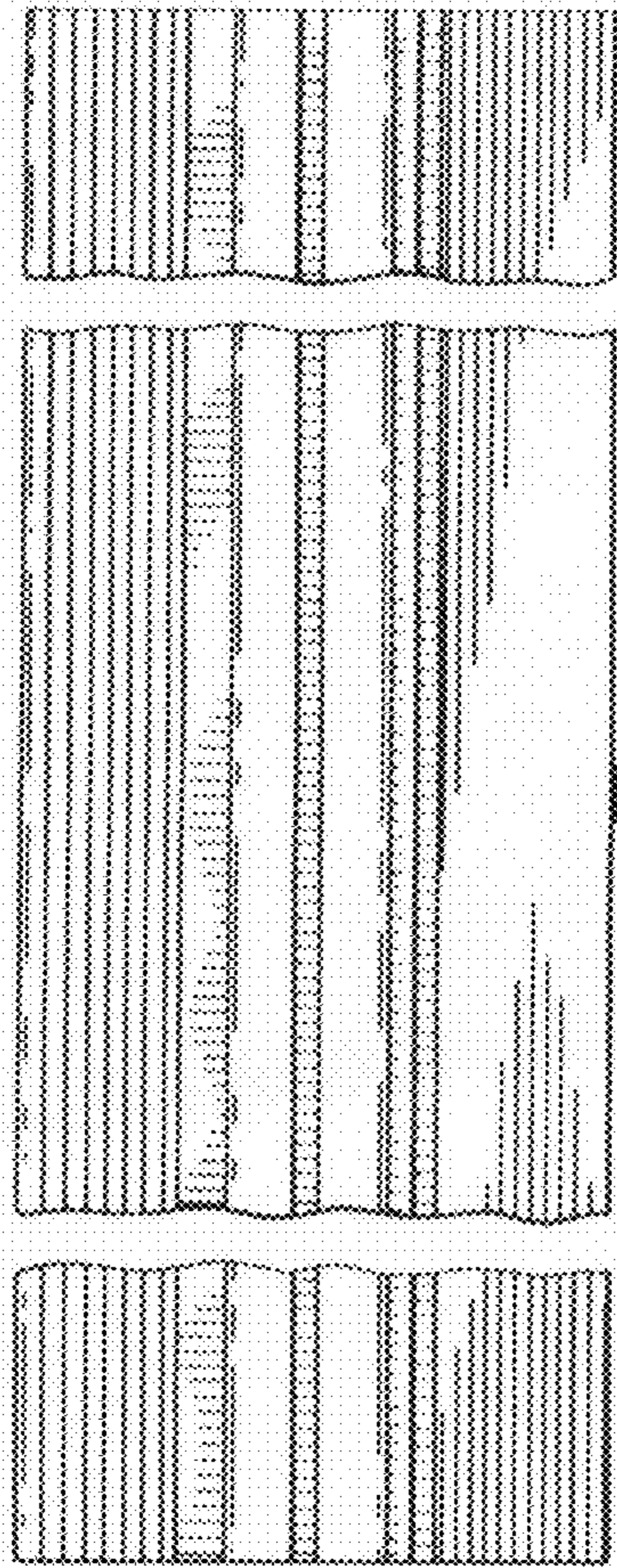


Fig. 4

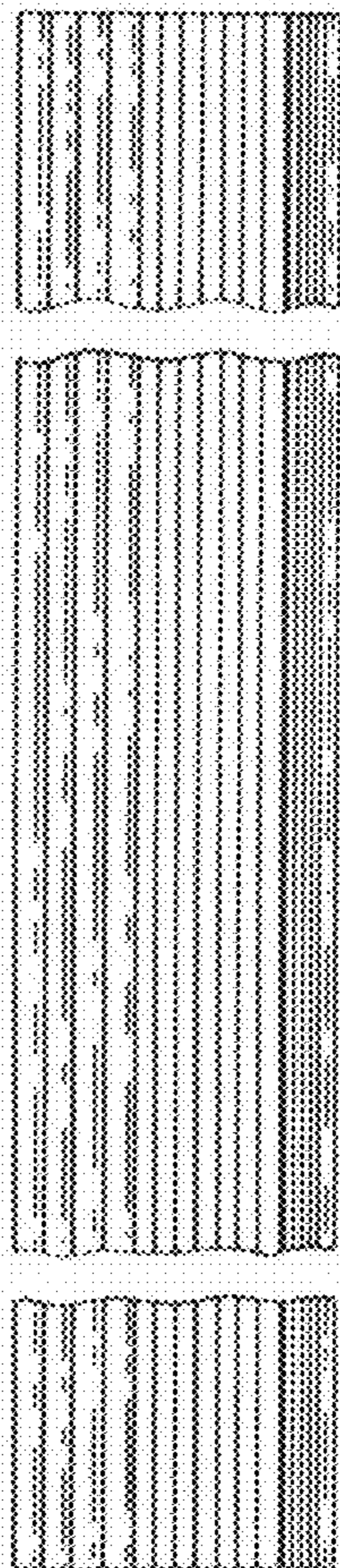
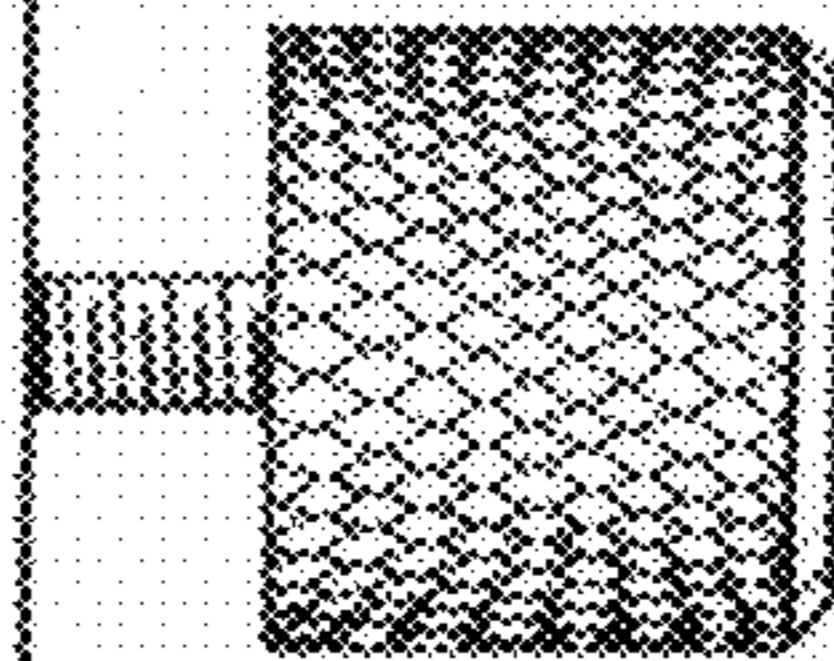


Fig. 6

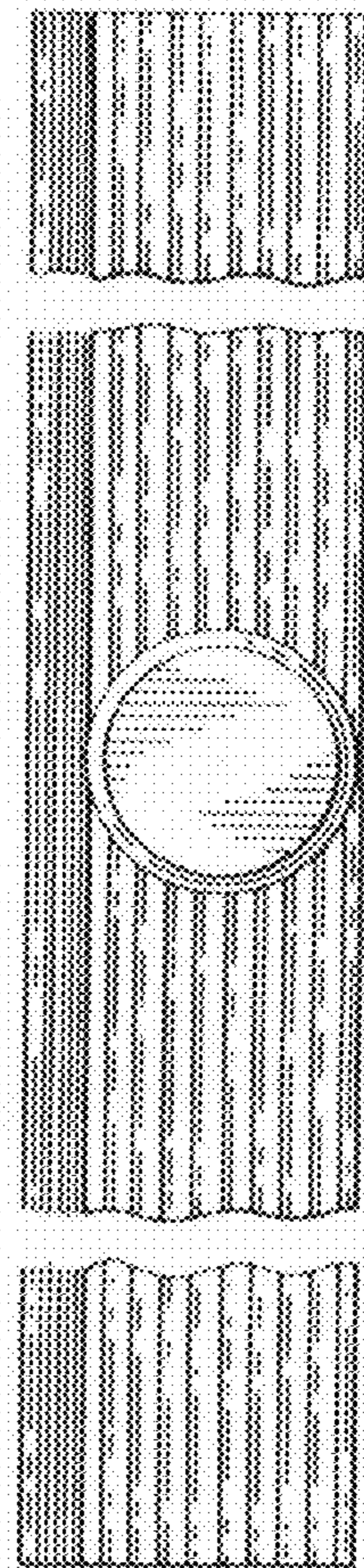


Fig. 5