



US00D635009S

(12) **United States Design Patent**
Paterson

(10) **Patent No.:** **US D635,009 S**
(45) **Date of Patent:** **** Mar. 29, 2011**

(54) **ESCUTCHEON**
(75) Inventor: **Nicholas W. Paterson**, Sheboygan Falls,
WI (US)

D425,313 S 5/2000 Zadro
6,178,981 B1 * 1/2001 Wales 137/15.18
D437,632 S * 2/2001 Fleischmann D23/254
(Continued)

(73) Assignee: **Kohler Co.**, Kohler, WI (US)

OTHER PUBLICATIONS

Baci. "Makeup Mirror". Model No. M-6-MB. Homeannex.com
online catalog. Copyright 2003-2006 Homeannex.com.

(**) Term: **14 Years**

(Continued)

(21) Appl. No.: **29/279,517**

Primary Examiner — Mark A Goodwin

(22) Filed: **May 2, 2007**

(74) *Attorney, Agent, or Firm* — Quarles & Brady LLP

(51) **LOC (9) Cl.** **11-05**

(52) **U.S. Cl.** **D8/352; D6/300**

(57) **CLAIM**

The ornamental design for an escutcheon, as shown and
described.

(58) **Field of Classification Search** D8/350–353;
D6/550, 58, 300–303, 495, 308–314, 444,
D6/486, 524; D23/249, 254, 303, 250–252,
D23/238–243, 213; 4/675–678; 137/801
See application file for complete search history.

DESCRIPTION

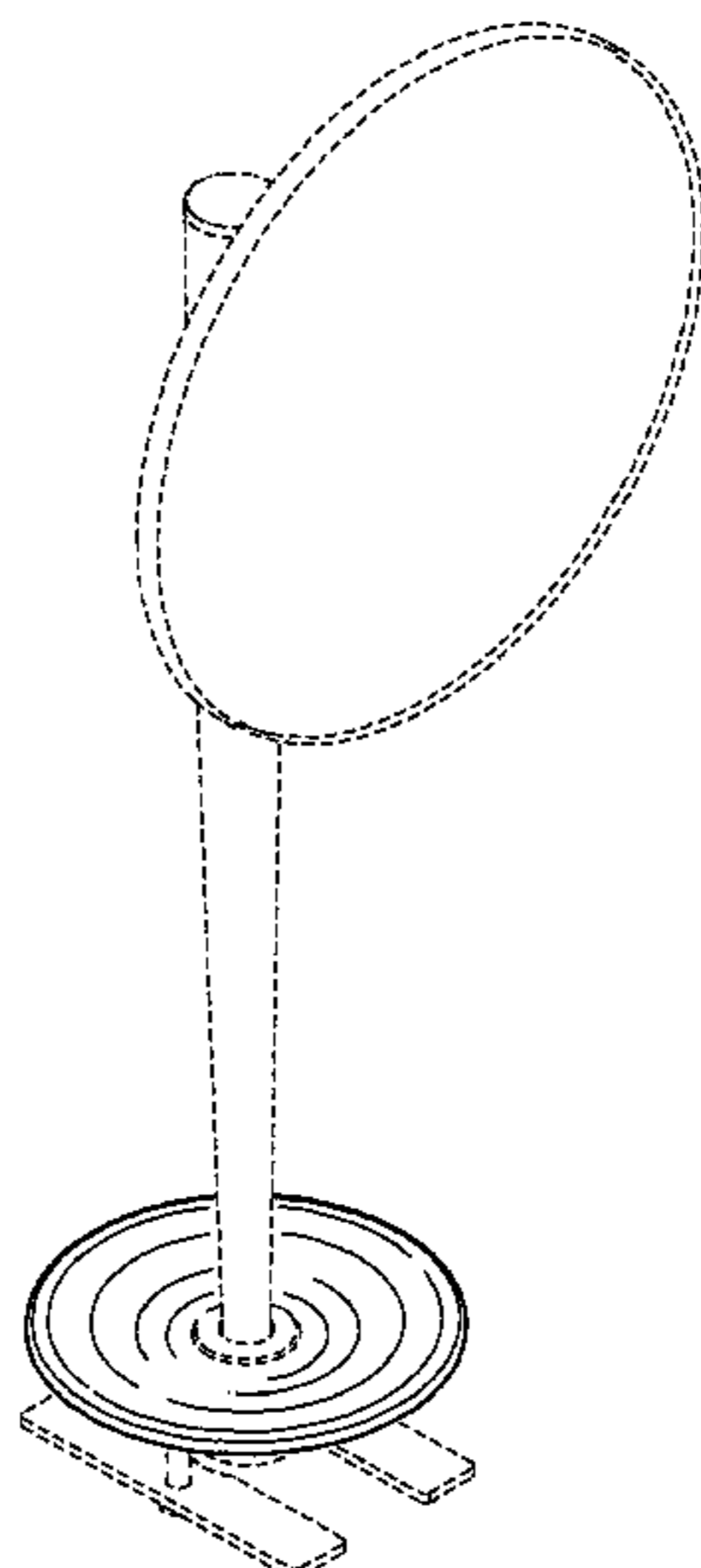
FIG. 1 is a left, top, front perspective view of an escutcheon
showing my new design in use condition;
FIG. 2 is a front elevational view thereof;
FIG. 3 is a left side elevational view thereof, the right side
elevational view thereof being a mirror image of the left side
shown;
FIG. 4 is a top plan view thereof;
FIG. 5 is a bottom plan view thereof;
FIG. 6 is a rear elevational view thereof;
FIG. 7 is a sectional view taken along line 7—7 of FIG. 4;
FIG. 8 is a left, top, front perspective view of the escutcheon
of FIG. 1 showing my new design in another use condition;
and,
FIG. 9 is a right, top, front perspective view of the escutcheon
of FIG. 1 showing my new design in another use condition.
The broken line showing of a mirror in FIGS. 1-8 and of a
cabinet with an opening for a plumbing fitting in FIG. 9 is
included for the purpose of illustrating environmental struc-
ture only and forms no part of the claimed design.
In a preferred embodiment, the nature of this product is an
escutcheon such as for the base of a mirror stand or covering
an opening for a plumbing fitting.

(56) **References Cited**

U.S. PATENT DOCUMENTS

D78,529 S	3/1929	McGrath	
D155,495 S	10/1949	Fitzgerald	
D159,100 S	6/1950	Ryder	
D164,606 S *	9/1951	Schlage	D8/352
D176,281 S *	12/1955	Patriquin	D8/352
D182,684 S *	4/1958	Ohno	D8/352
D227,856 S *	7/1973	Tegner	D8/352
3,781,093 A *	12/1973	Grabijas	359/876
D254,208 S	2/1980	Breslow	
4,405,164 A *	9/1983	Lint et al.	292/169.21
D271,662 S *	12/1983	Jones	D8/399
D310,324 S *	9/1990	Bernacchi et al.	D8/399
4,960,628 A *	10/1990	Stumphauzer et al.	428/81
D322,926 S *	1/1992	Kolada et al.	D8/352
D331,797 S *	12/1992	Rosenbaum	D23/249
D396,267 S *	7/1998	Lobermeier	D23/254
D402,010 S *	12/1998	Lord	D23/254
D403,750 S *	1/1999	Fabian	D23/254
D411,288 S *	6/1999	Cuttriss	D23/284
D412,203 S *	7/1999	Pitsch et al.	D23/254
D420,106 S *	2/2000	Green	D23/254
6,024,177 A *	2/2000	Winebrenner	169/51

1 Claim, 8 Drawing Sheets



US D635,009 S

Page 2

U.S. PATENT DOCUMENTS

D438,389 S * 3/2001 Ross et al. D6/312
6,241,357 B1 * 6/2001 Lee 359/879
6,305,809 B1 * 10/2001 Zadro 359/840
D450,812 S * 11/2001 Lobermeier D23/254
D468,404 S * 1/2003 Hunter D23/249
D471,260 S * 3/2003 Otero D23/254
D486,559 S * 2/2004 Otero D23/254
D511,413 S * 11/2005 Yue D6/300
7,197,777 B2 * 4/2007 Ismert et al. 4/675
D549,968 S * 9/2007 Pitot et al. D6/312
D560,778 S * 1/2008 Paterson D23/293.1

2003/0192116 A1* 10/2003 Burger et al. 4/695
2006/0010595 A1* 1/2006 Ismert et al. 4/675
2006/0231140 A1* 10/2006 McNerney 137/360
2009/0056821 A1* 3/2009 Fleischmann 137/801

OTHER PUBLICATIONS

Baci. "Makeup Mirror" (M-11 Spot Light and M-11-H Halo Light).
Model No. M-11-EB. Homeannex.com online catalog. Copyright
2003-2006 Homeannex.com.

* cited by examiner

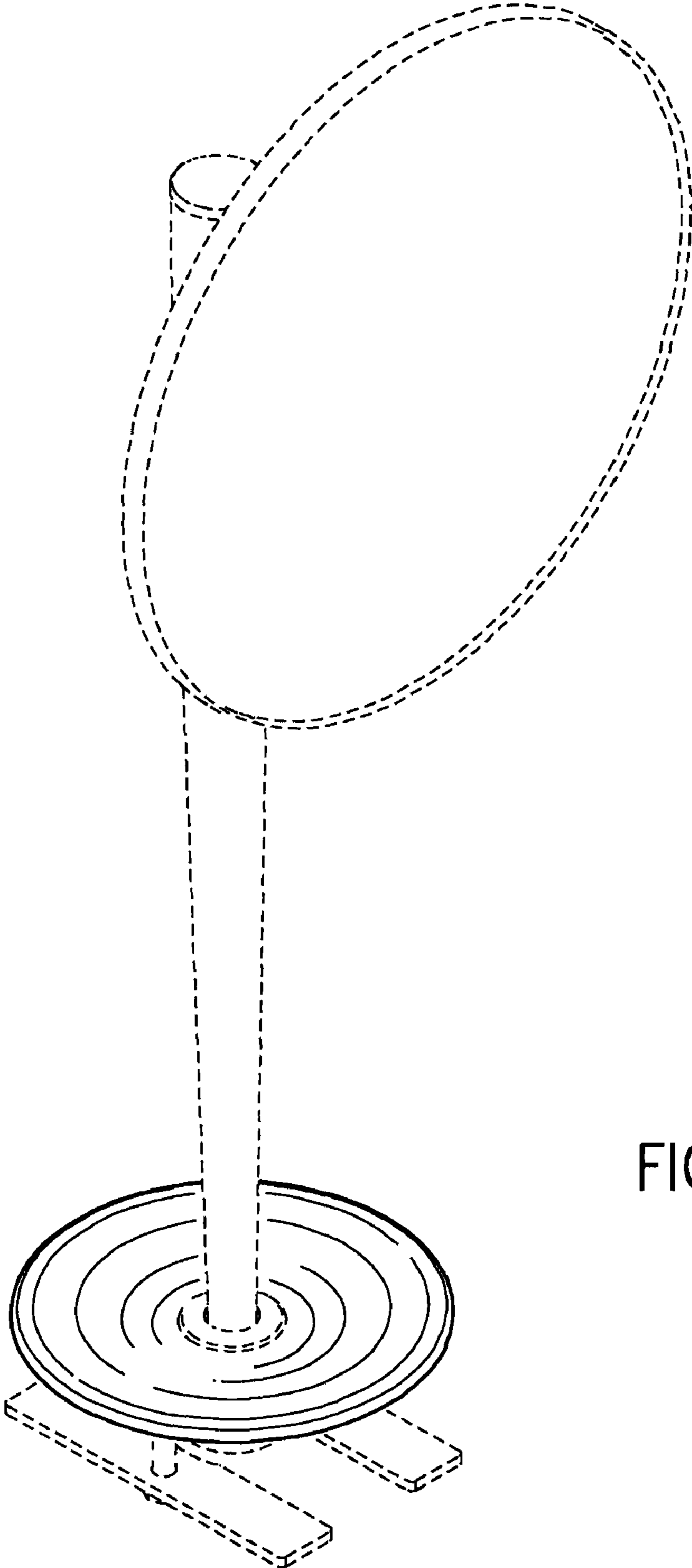


FIG. 1

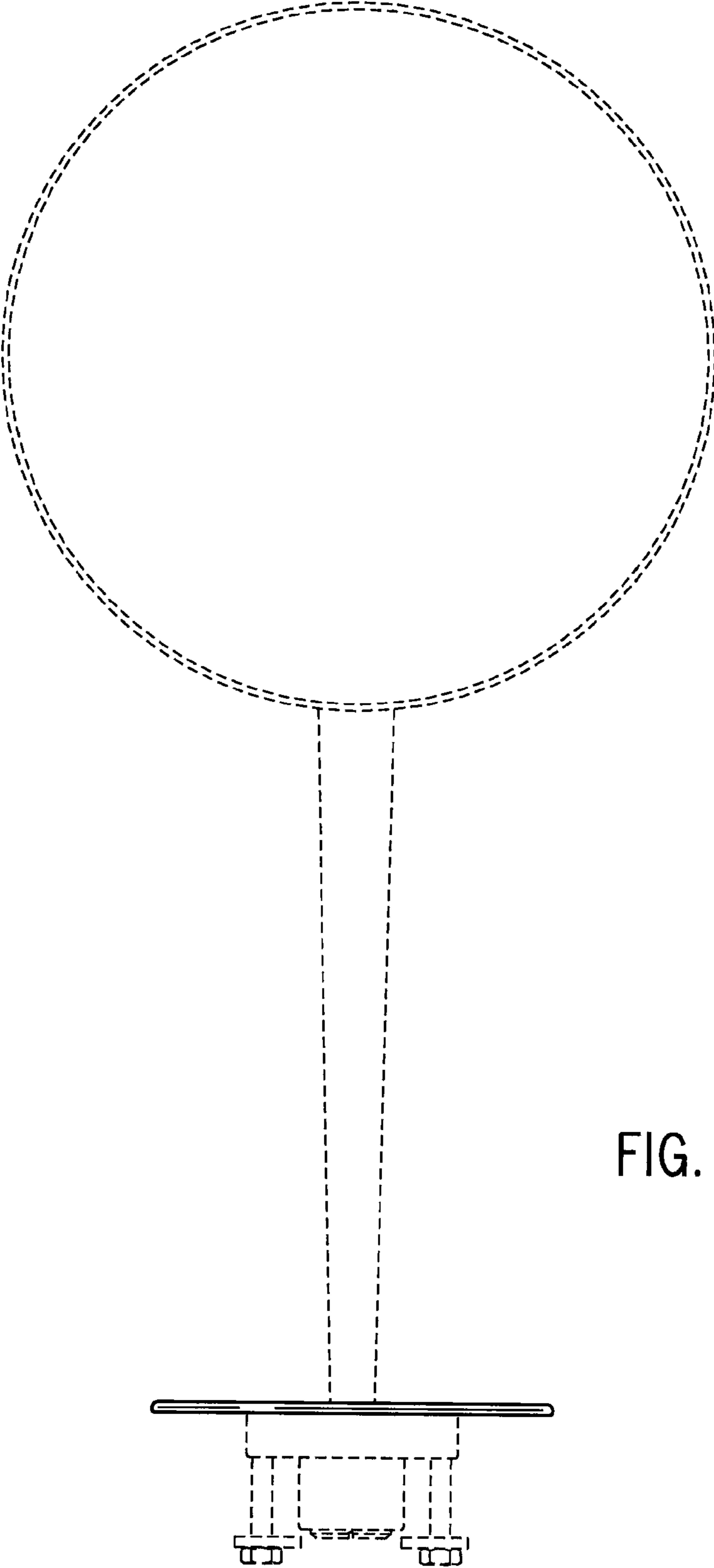


FIG. 2

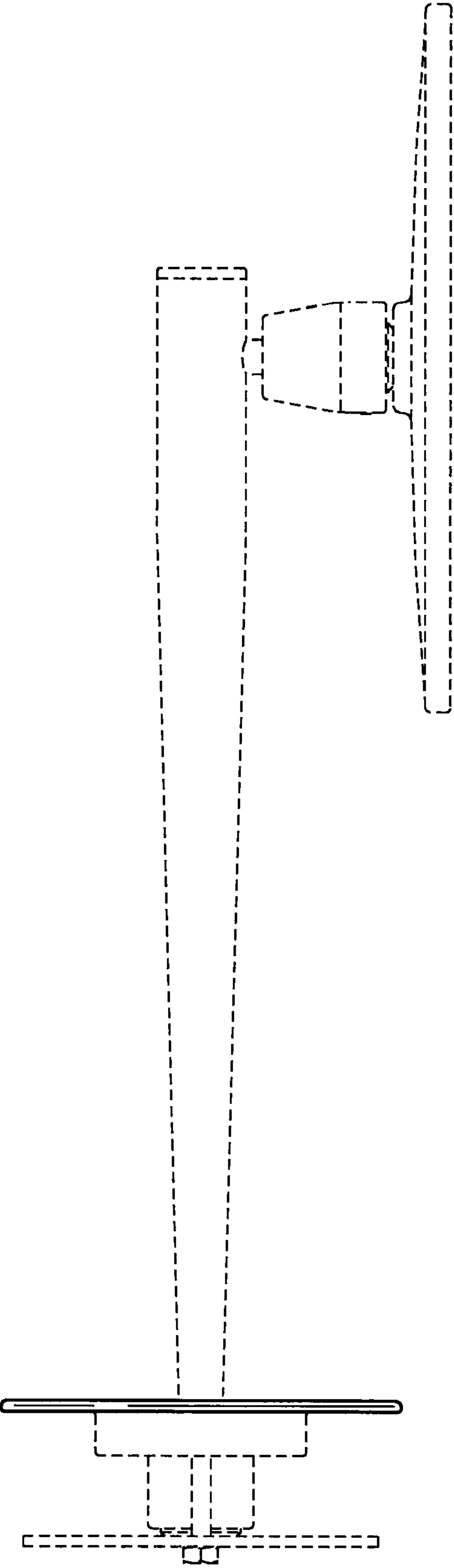


FIG. 3

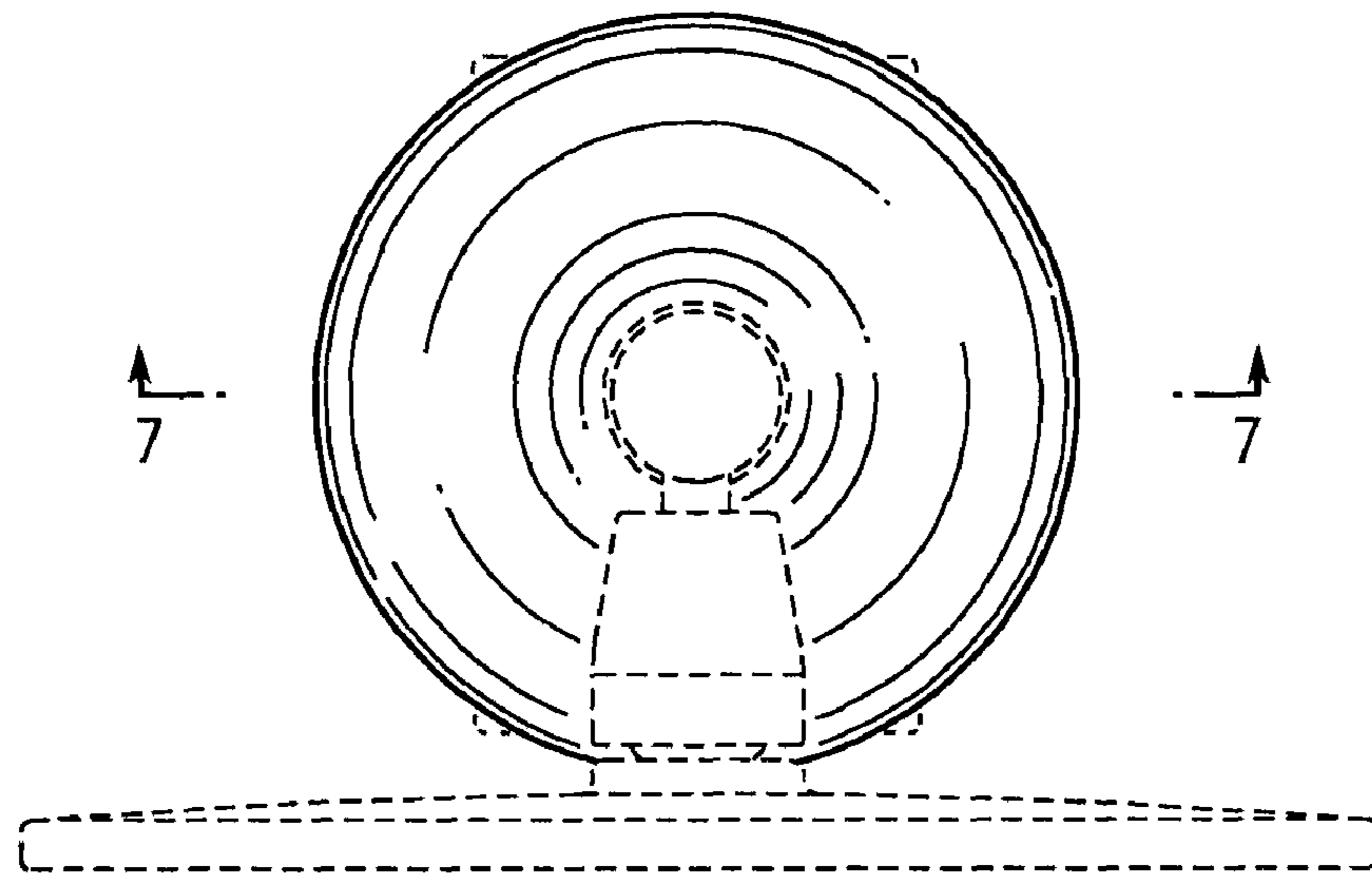
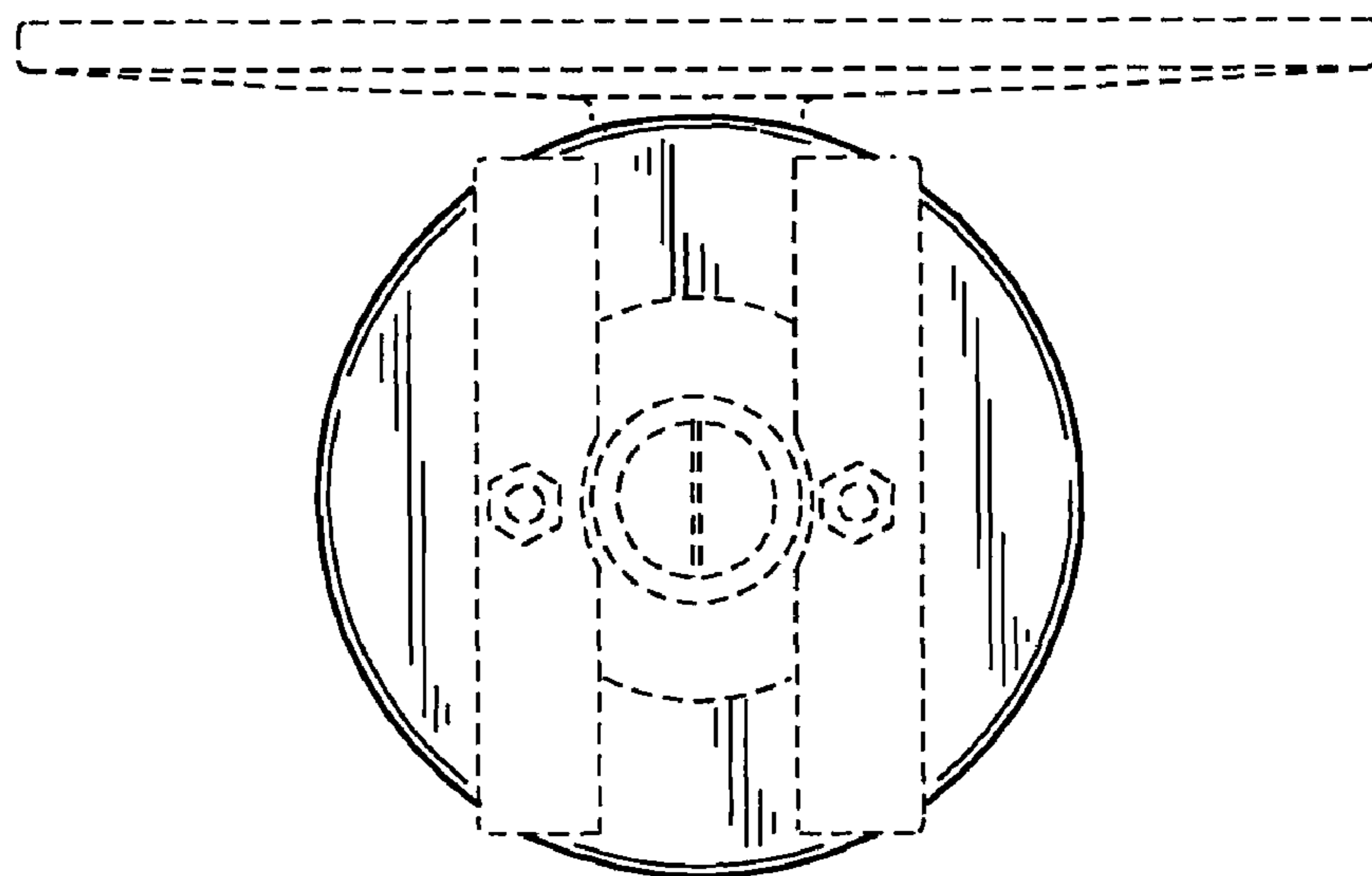


FIG. 4

FIG. 5



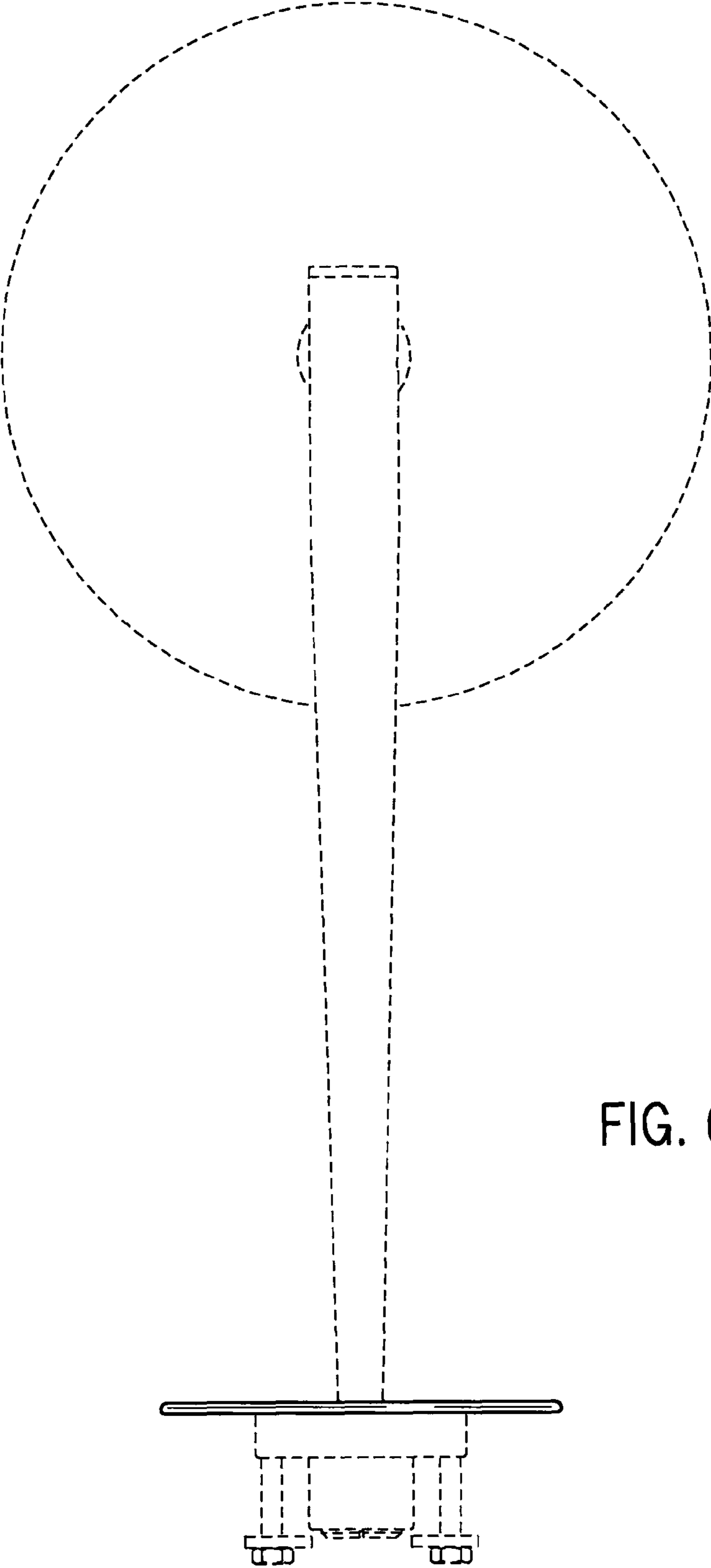


FIG. 6

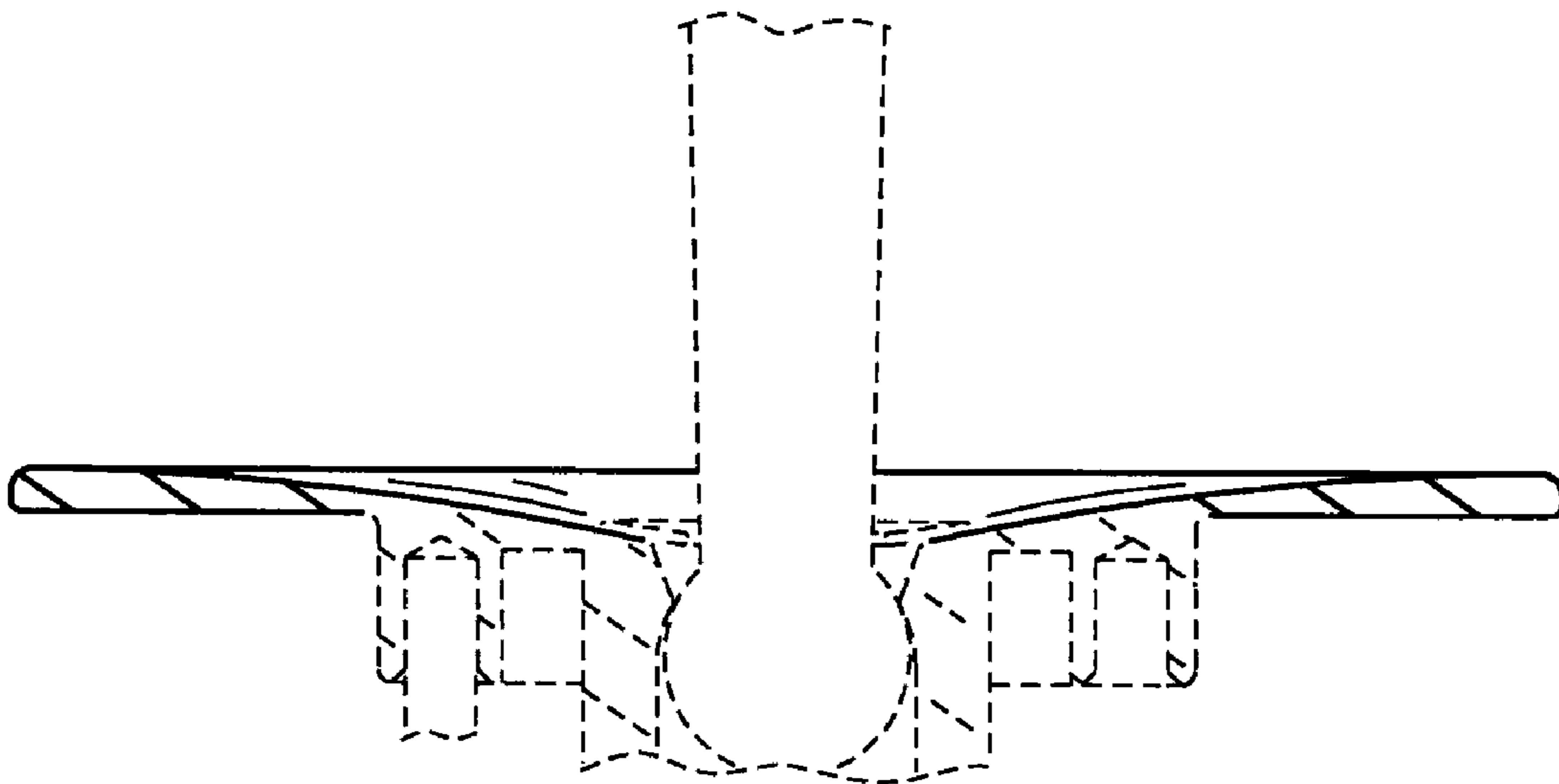


FIG. 7

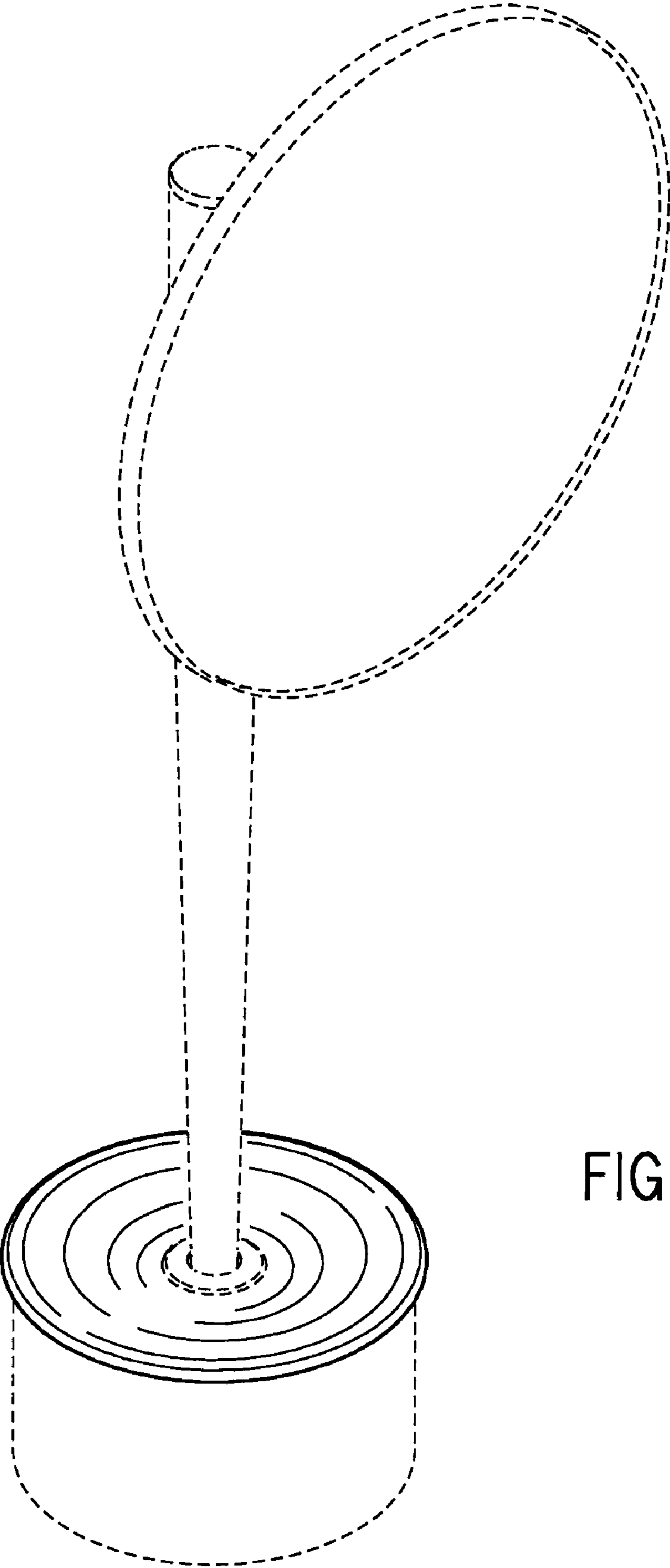


FIG. 8

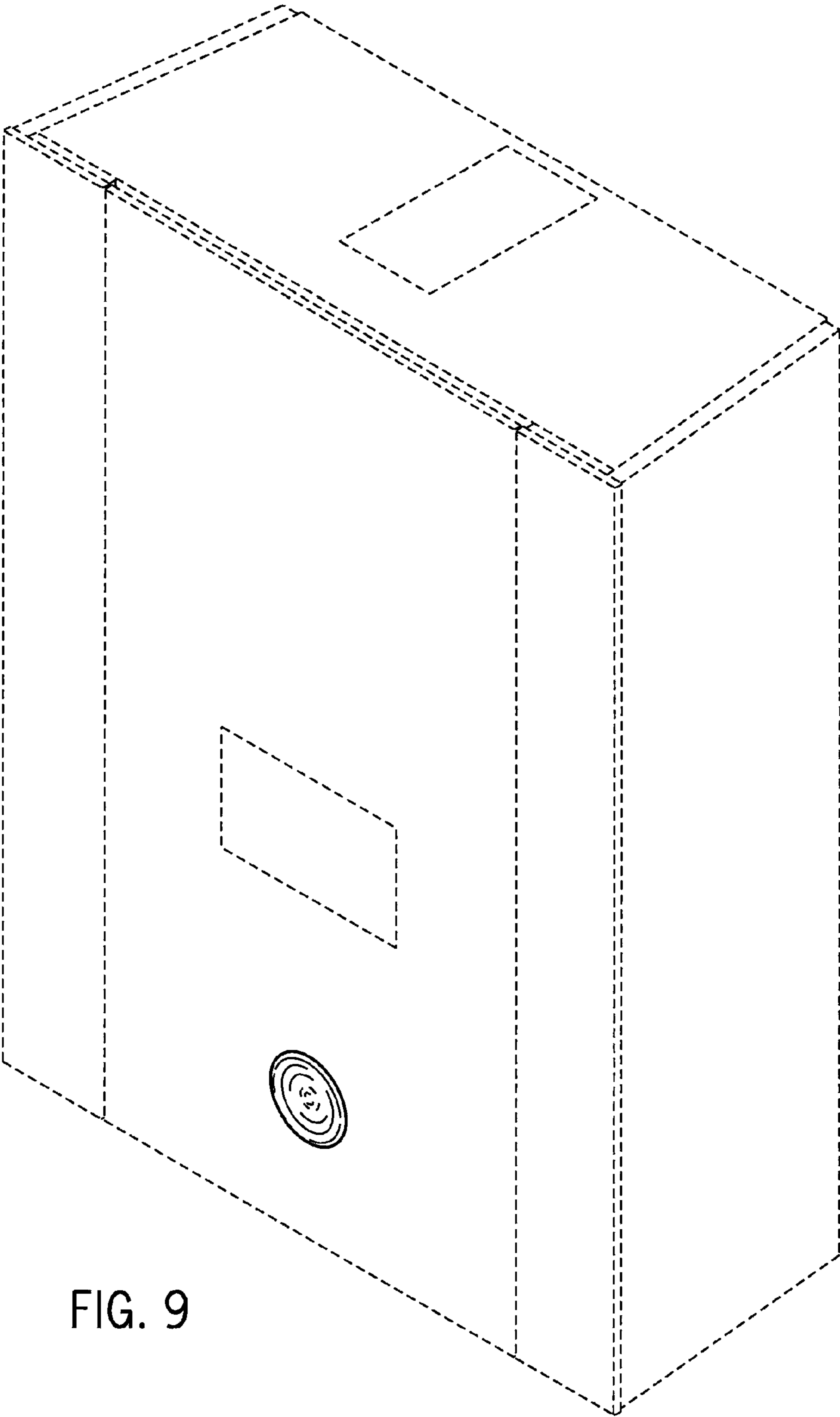


FIG. 9