



US00D635007S

(12) **United States Design Patent**  
**Takahara et al.**

(10) **Patent No.:** **US D635,007 S**  
(45) **Date of Patent:** **\*\* Mar. 29, 2011**

(54) **ATTACHMENT FOR MULTI OPTICAL AXIS PHOTOELECTRIC SENSOR**

(75) Inventors: **Takayoshi Takahara**, Kusatsu (JP);  
**Kazunori Osako**, Ohtsu (JP); **Toshinori Sato**, Ritto (JP)

(73) Assignee: **OMRON Corporation**, Kyoto (JP)

(\*\*) Term: **14 Years**

(21) Appl. No.: **29/353,477**

(22) Filed: **Jan. 8, 2010**

(30) **Foreign Application Priority Data**

Jul. 27, 2009 (JP) ..... 2009-017054

(51) **LOC (9) Cl.** ..... **08-05**

(52) **U.S. Cl.** ..... **D8/349**

(58) **Field of Classification Search** ..... D10/103;  
D8/349, 373-381; 248/301, 304, 339  
See application file for complete search history.

(56) **References Cited**

**U.S. PATENT DOCUMENTS**

D556,027 S \* 11/2007 Cuzzocrea ..... D8/373  
\* cited by examiner

*Primary Examiner* — Antoine D Davis

(74) *Attorney, Agent, or Firm* — Capitol City TechLaw

(57) **CLAIM**

The ornamental design for an attachment for multi optical axis photoelectric sensor, as shown and described.

**DESCRIPTION**

FIG. 1 is a front, top, and right side perspective view of an attachment for multi optical axis photoelectric sensor showing our new design;

FIG. 2 is a rear, top, and left side perspective view thereof;

FIG. 3 is a rear, bottom, and left side perspective view thereof;

FIG. 4 is a front elevational view thereof;

FIG. 5 is a rear elevational view thereof;

FIG. 6 is a top plan view thereof;

FIG. 7 is a bottom plan view thereof;

FIG. 8 is a right side elevational view thereof;

FIG. 9 is a left side elevational view thereof;

FIG. 10 is a front, top, and right side perspective view showing a condition in which slide members are located on an upper side thereof;

FIG. 11 is a right side elevational view showing a condition in which the slide members are located on the upper side thereof;

FIG. 12 is a front, top, and right side perspective view showing a condition in which the slide members are located on a bottom side thereof;

FIG. 13 is a right side elevational view showing a condition in which the slide members are located on the bottom side thereof; and,

FIG. 14 is a front, top, and right side perspective view showing a condition in which a glide clip is moved to a position between the slide members.

**1 Claim, 8 Drawing Sheets**

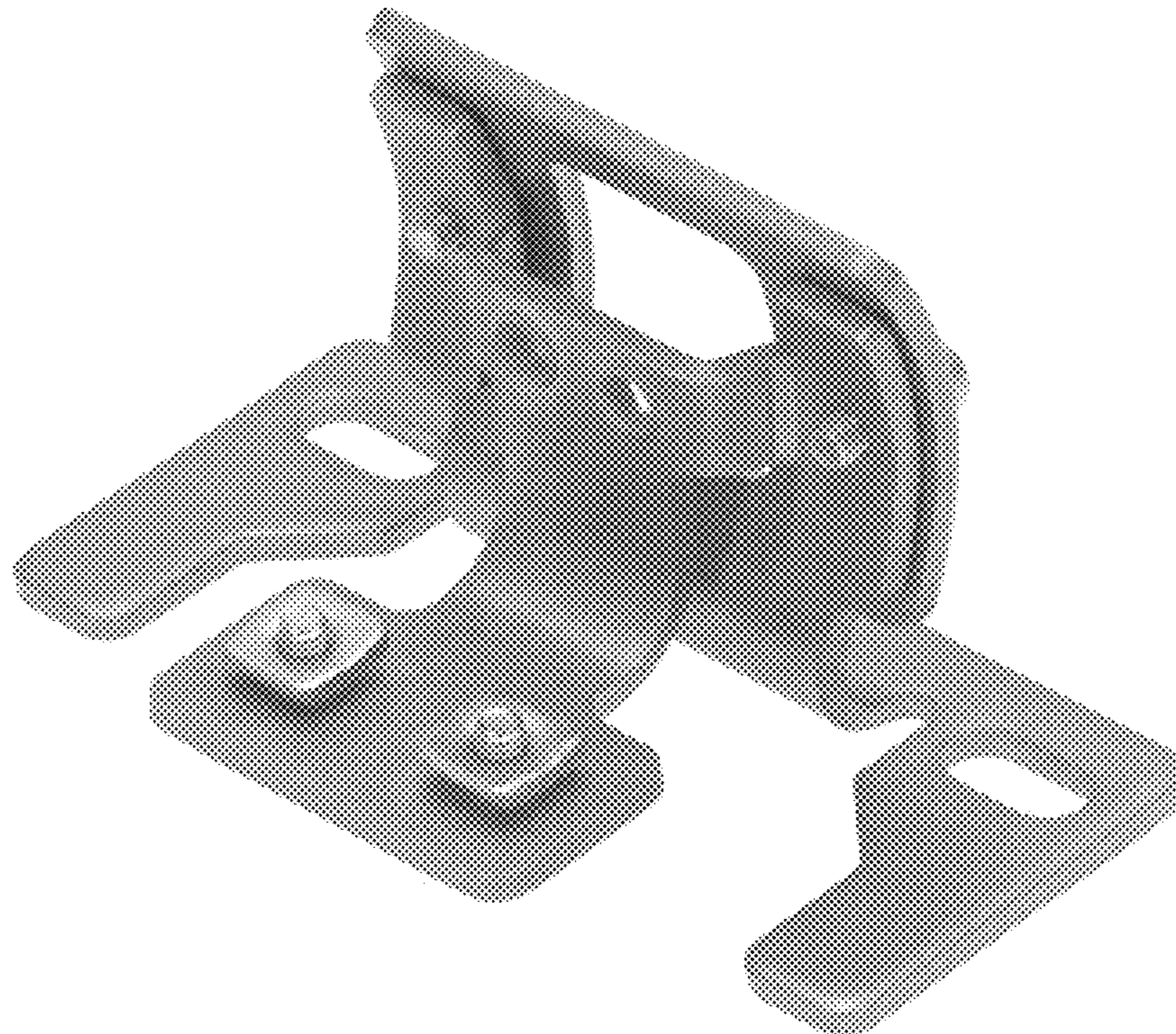


Fig. 1

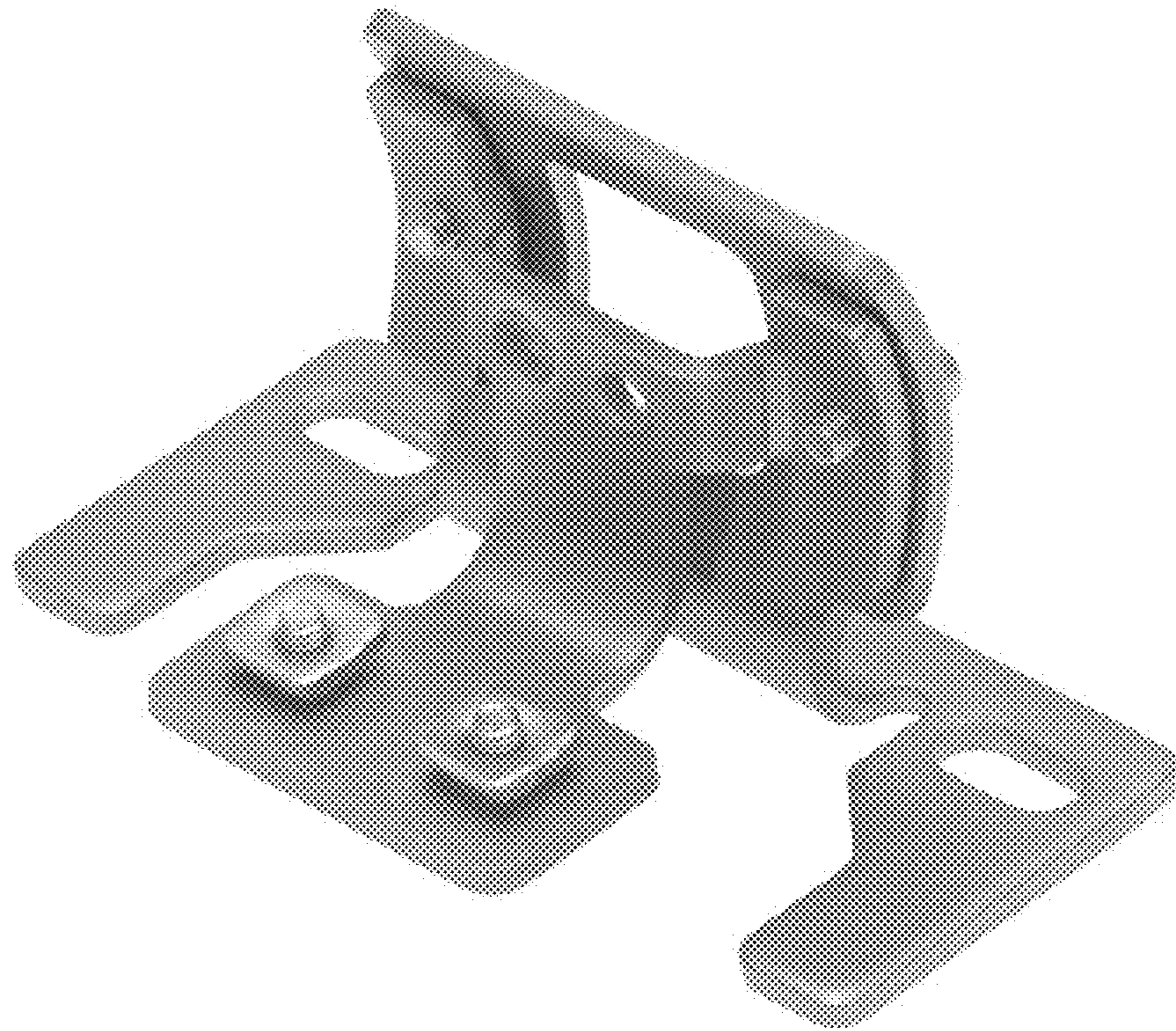


Fig. 2

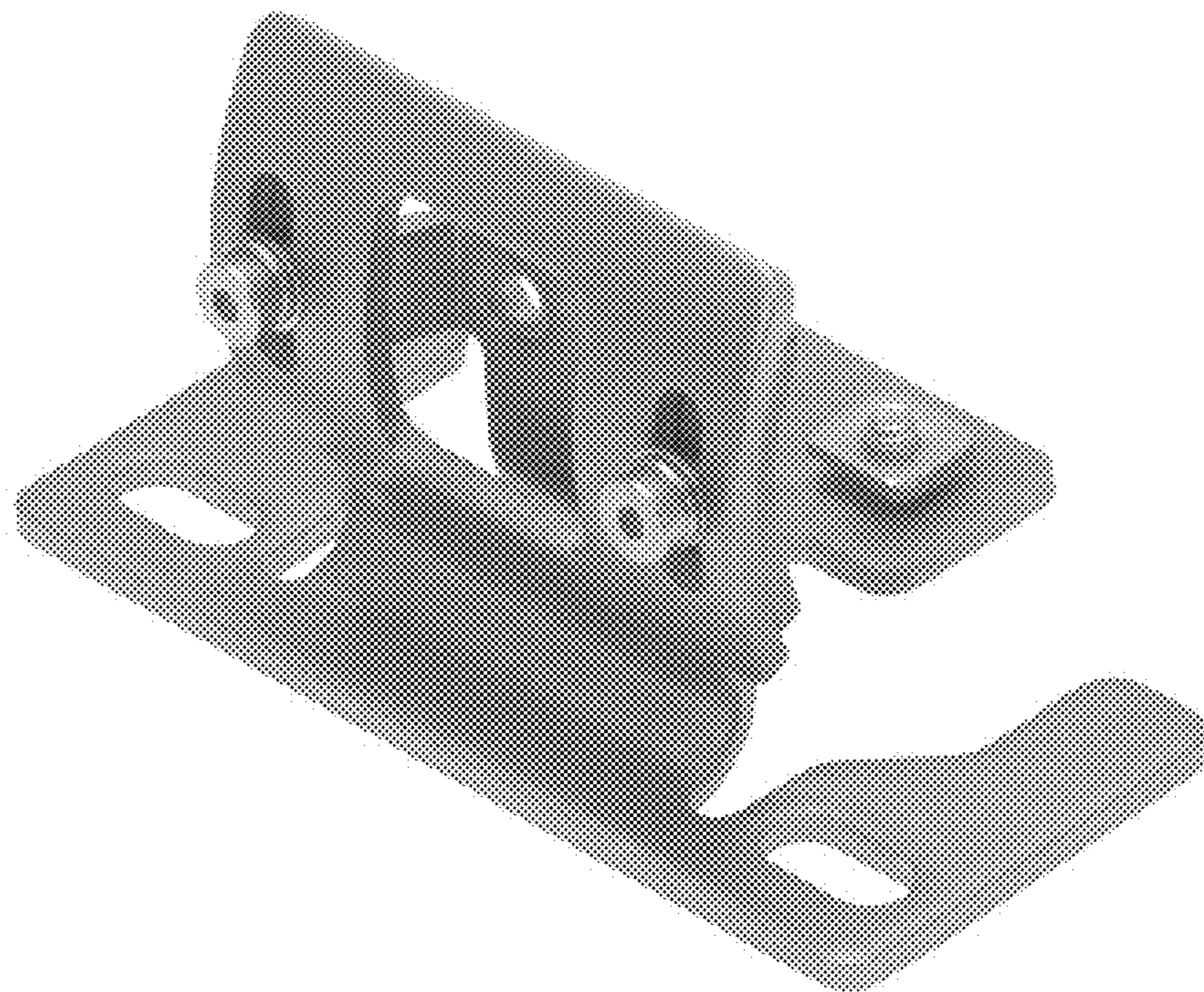


Fig. 3

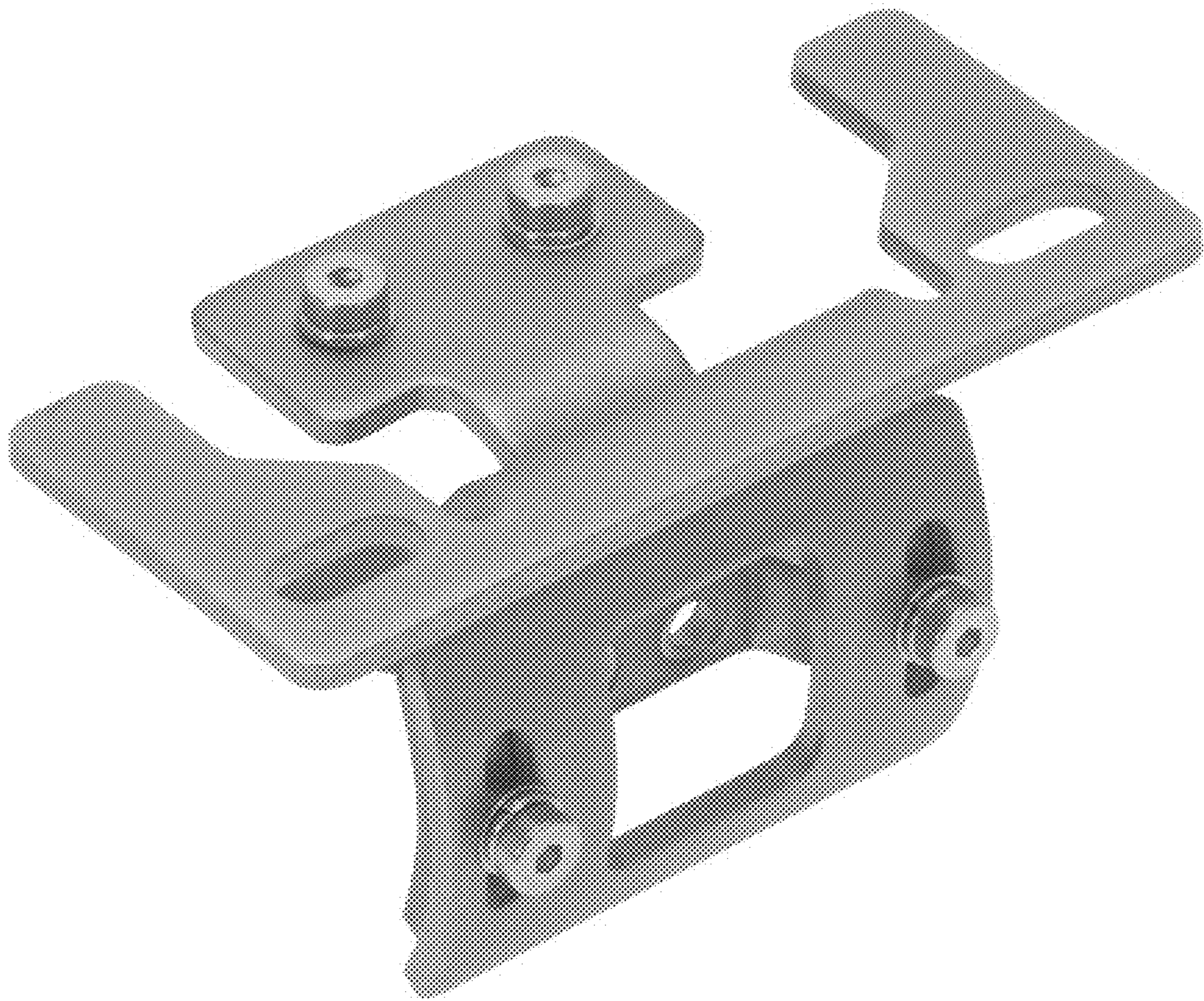


Fig. 4

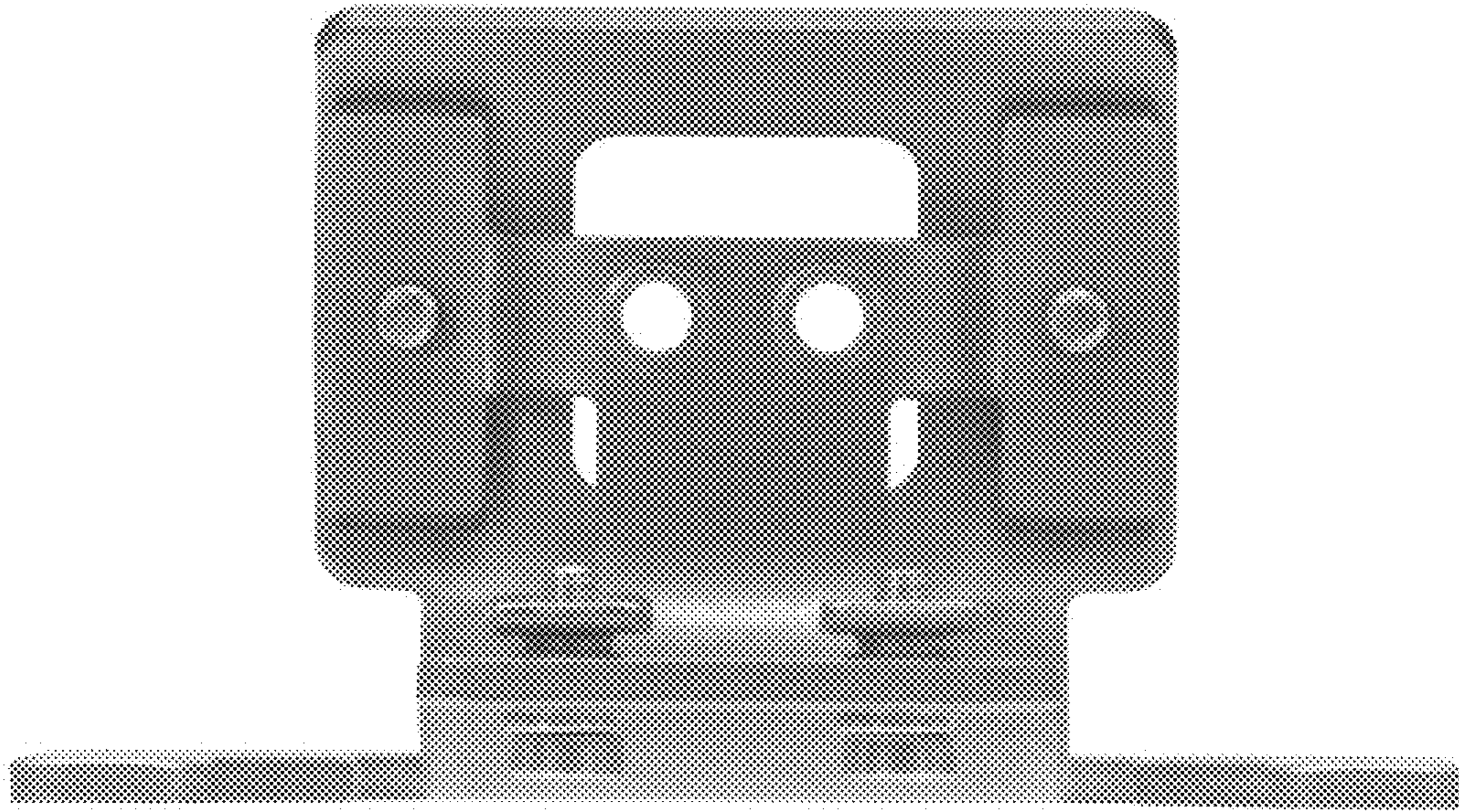


Fig. 5

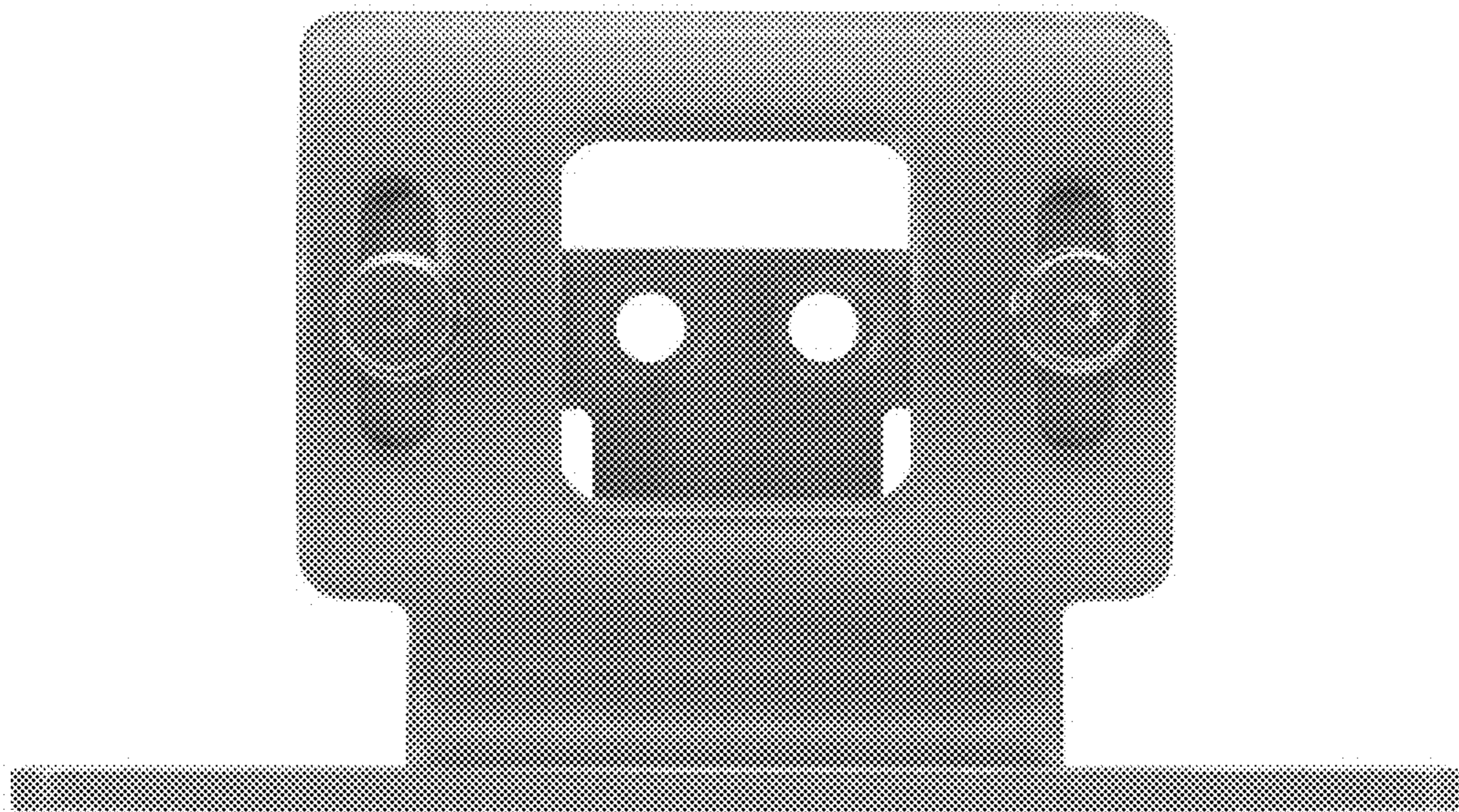


Fig. 6

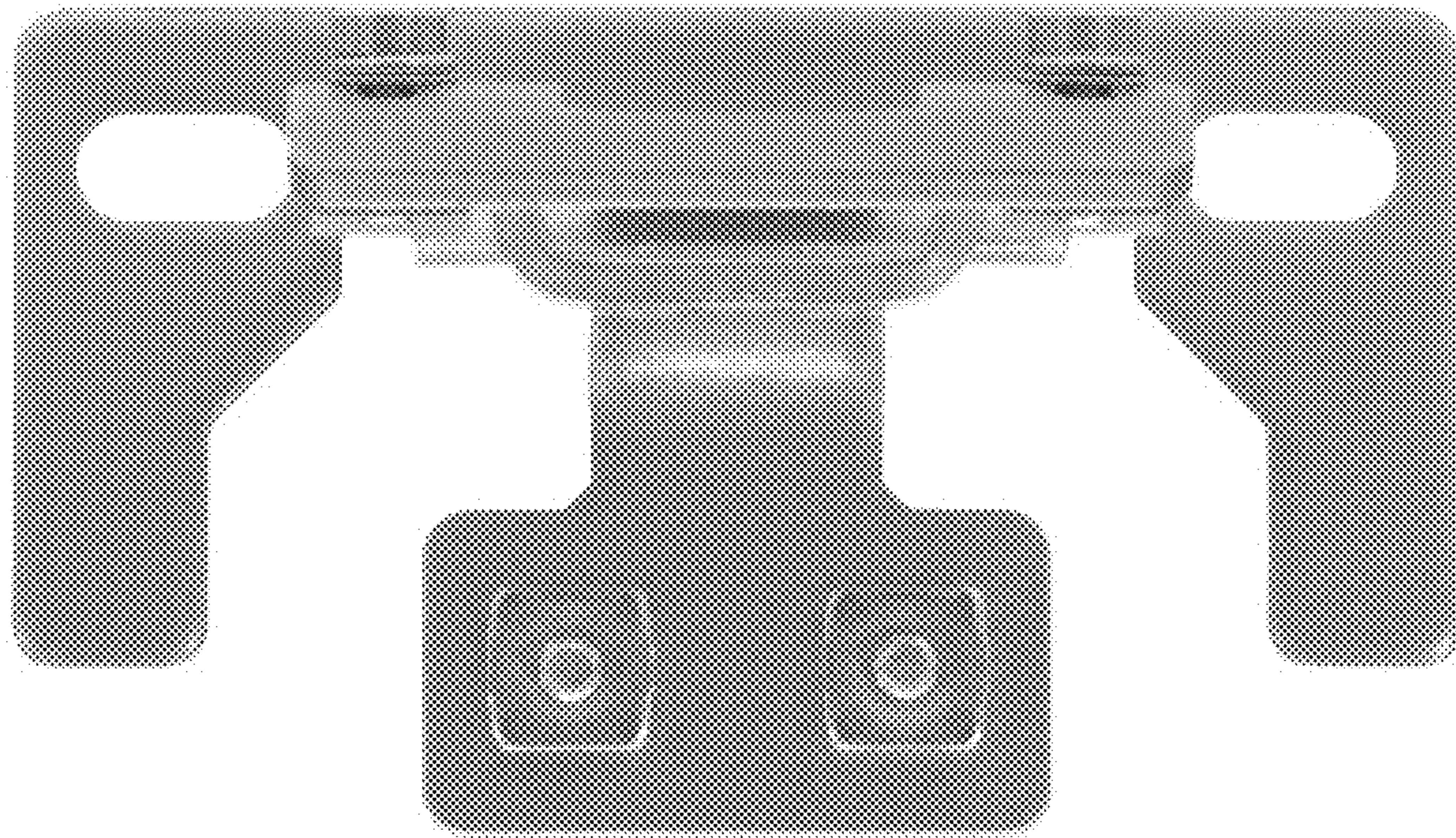


Fig. 7

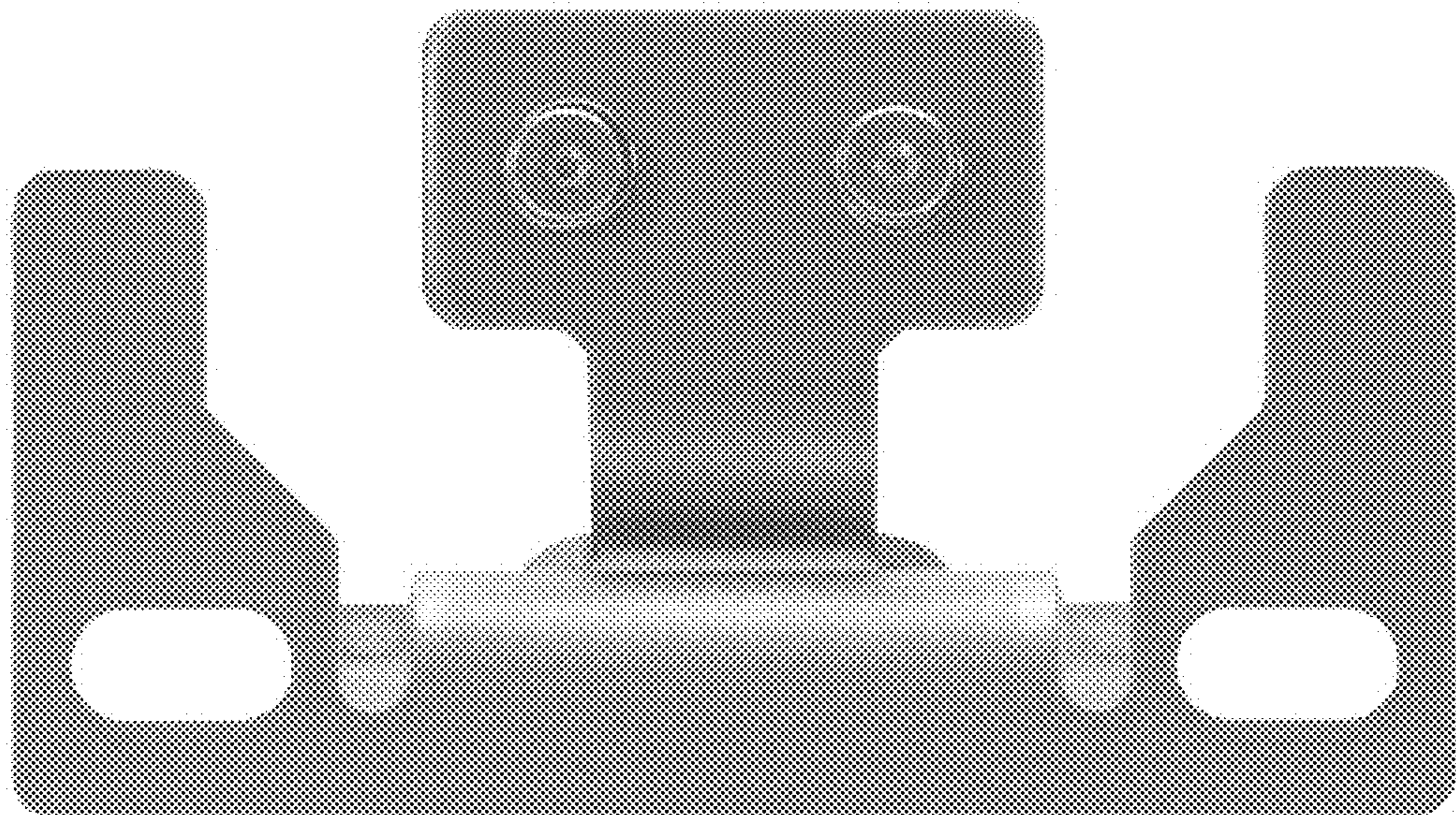


Fig. 8

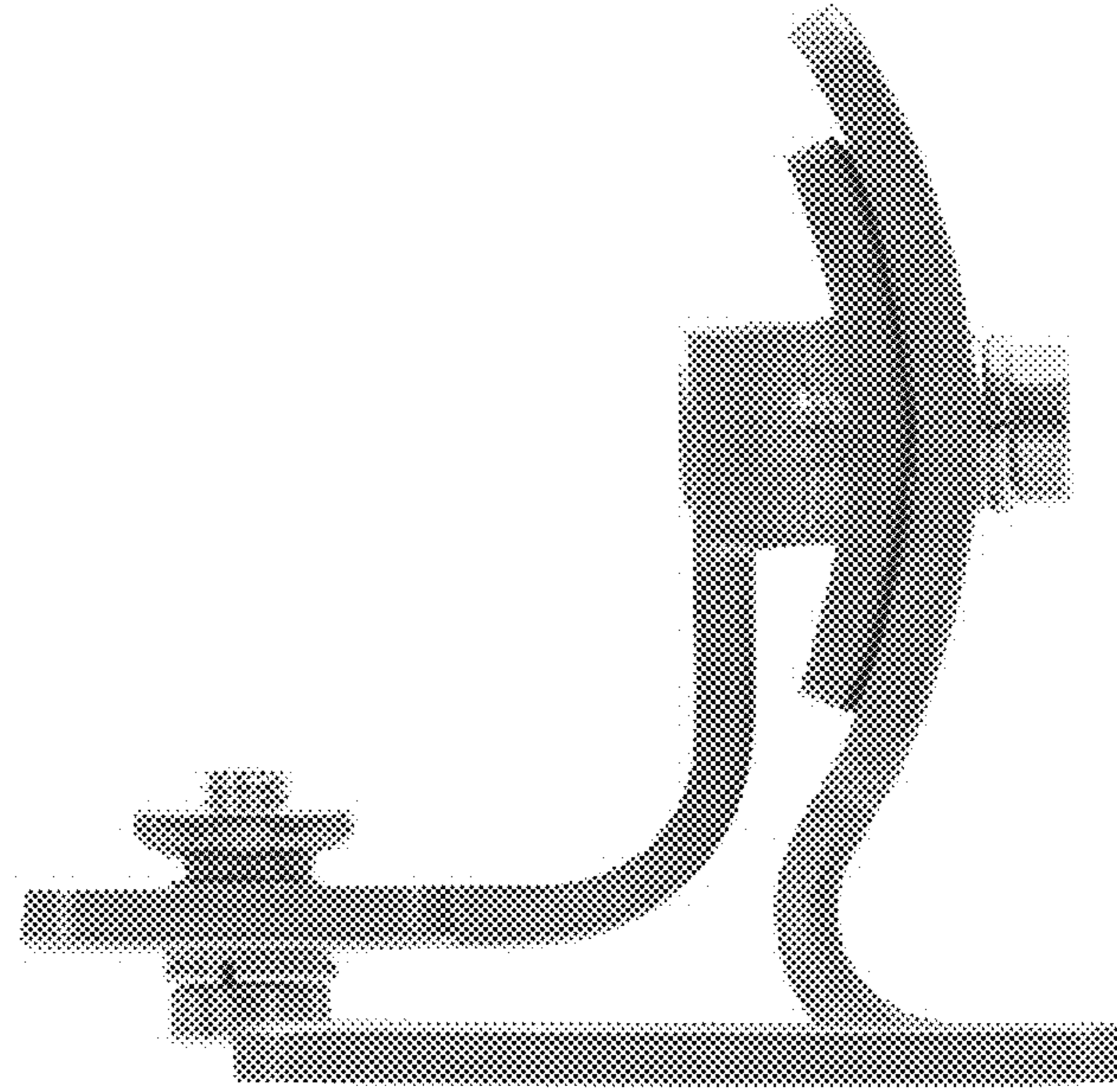


Fig. 9

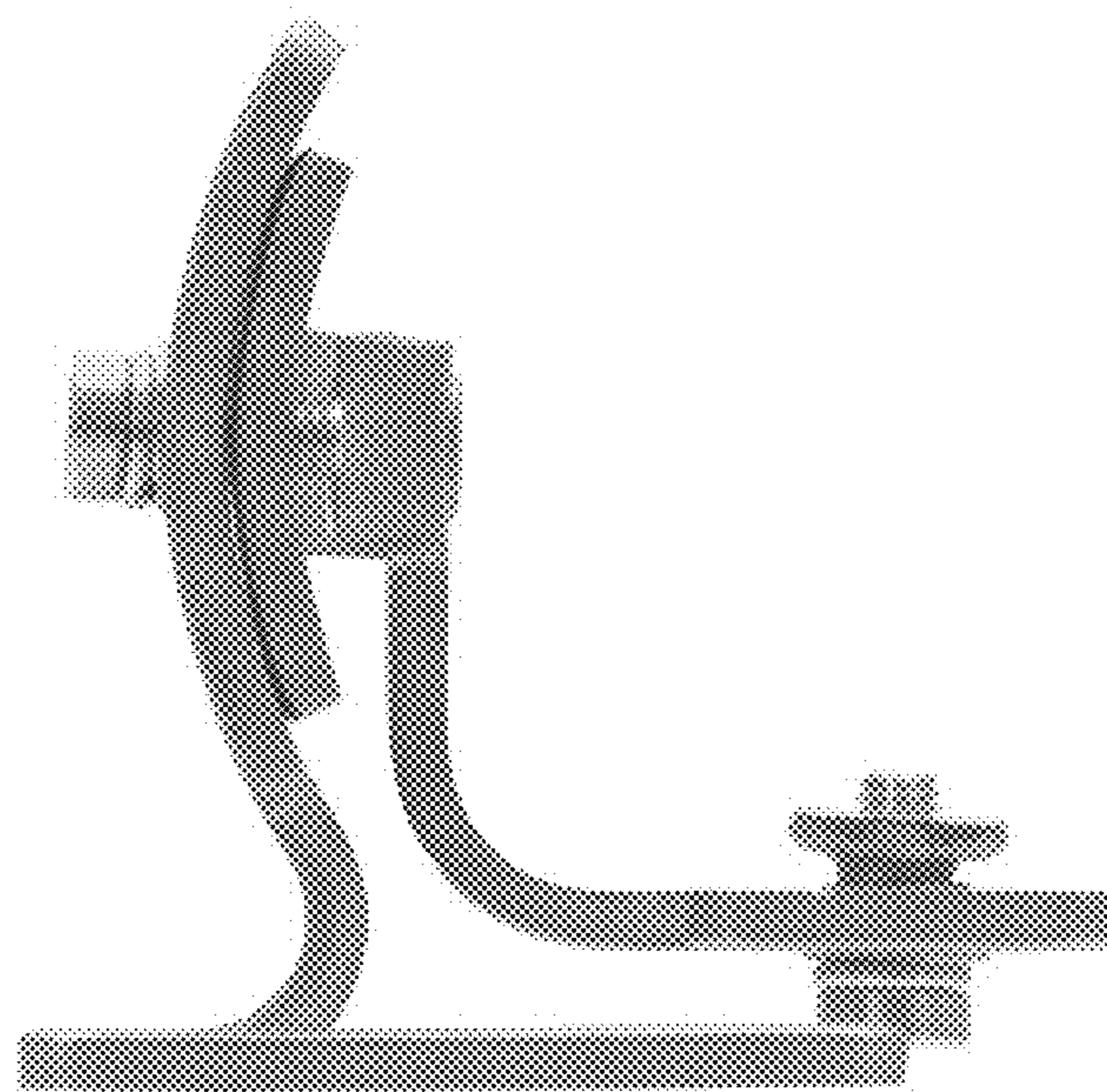


Fig. 10

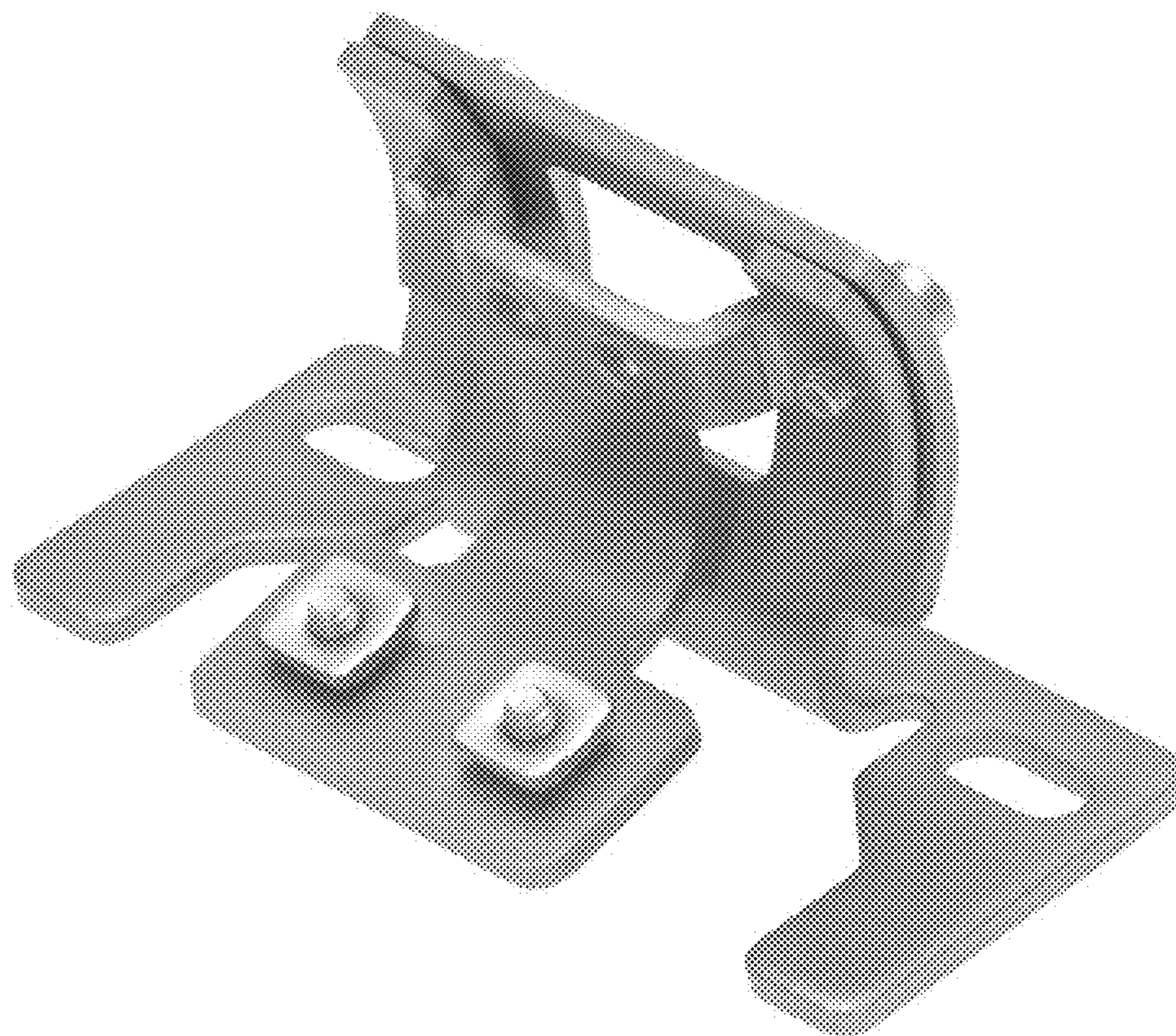


Fig. 11

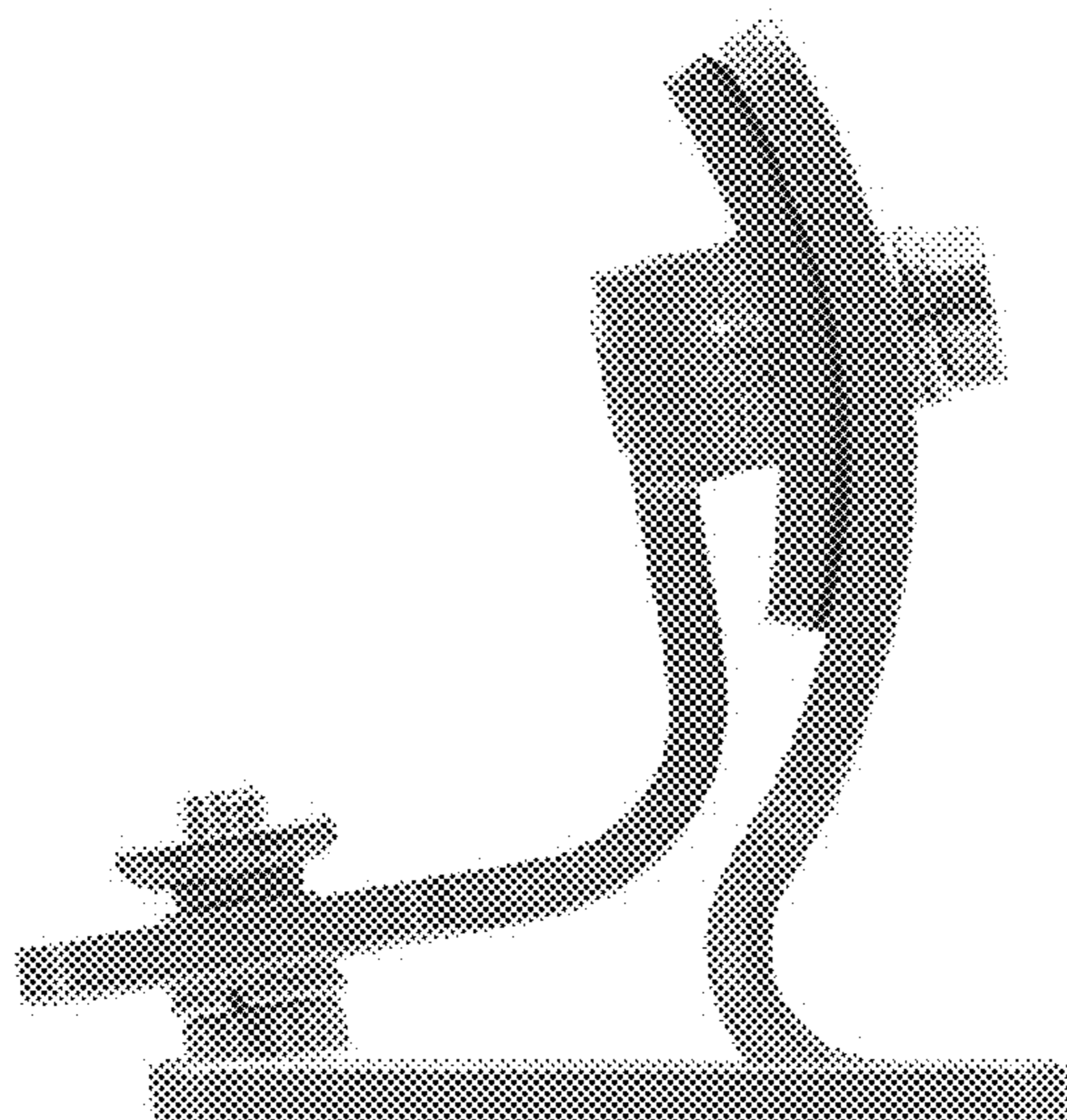


Fig. 12

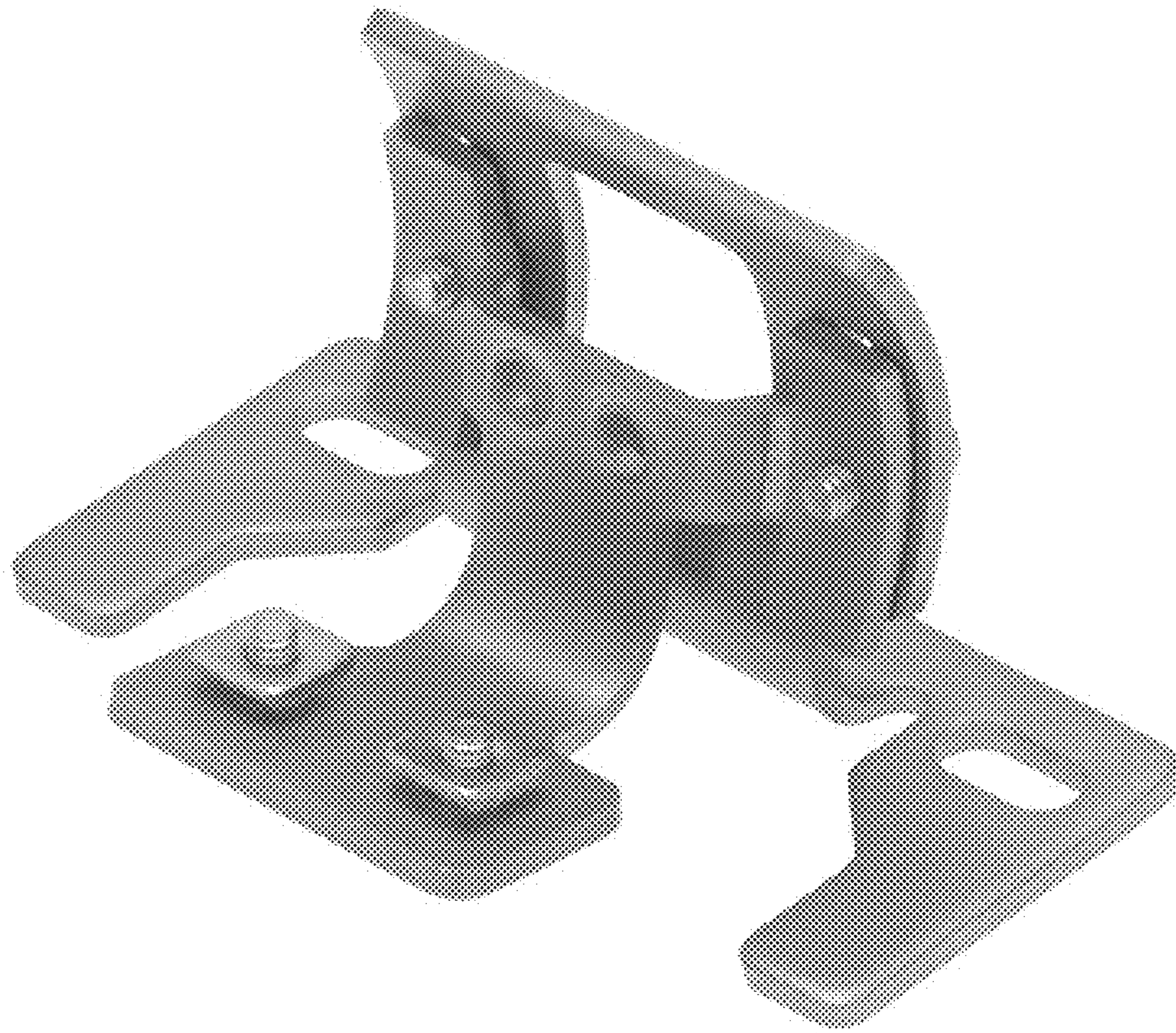


Fig. 13

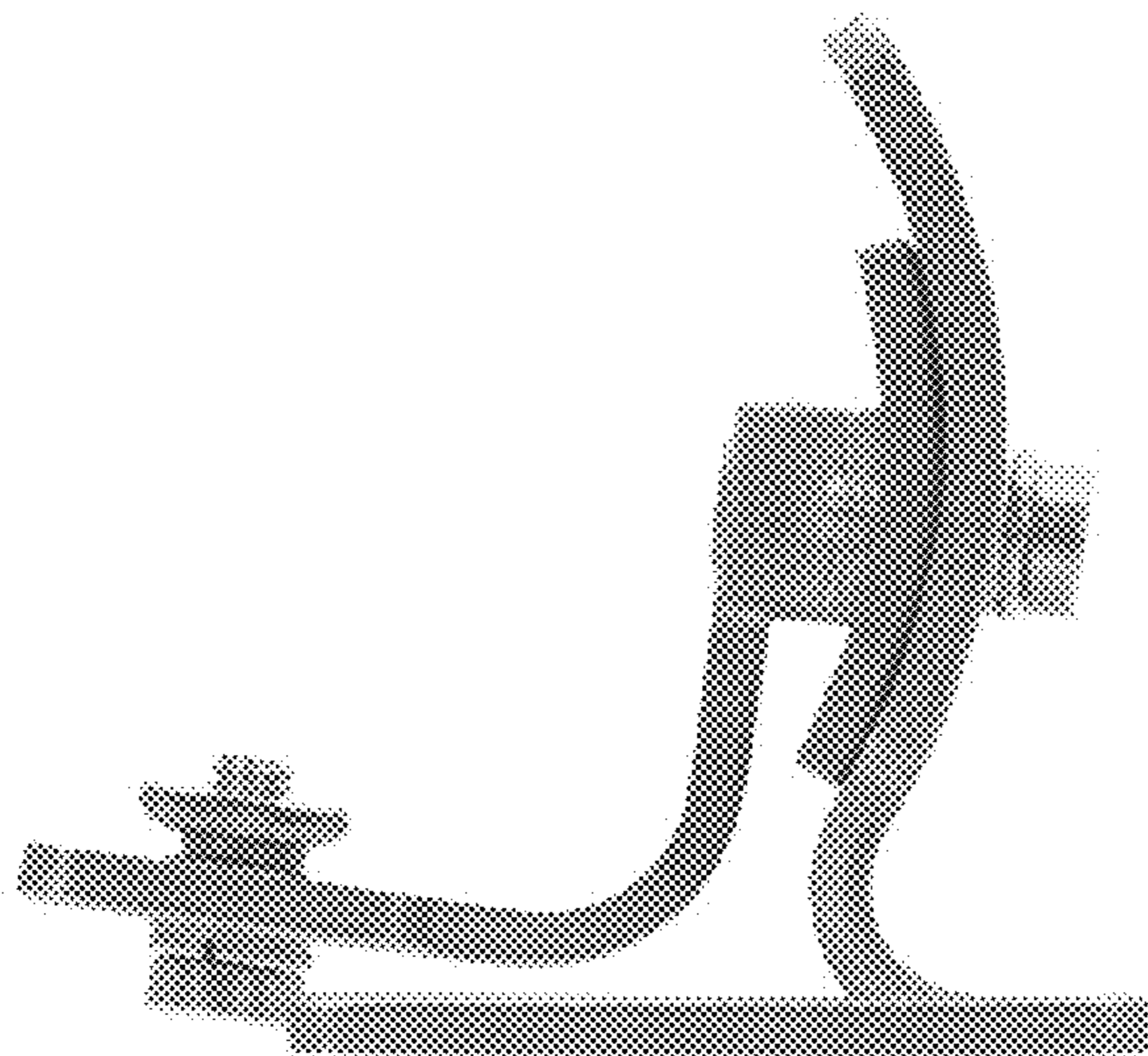




Fig. 14

