



US00D635005S

(12) **United States Design Patent**  
**McConnell**

(10) **Patent No.:** **US D635,005 S**

(45) **Date of Patent:** **\*\* Mar. 29, 2011**

(54) **PULL**

(75) **Inventor:** **Jennifer McConnell**, Greensboro, NC  
(US)

(73) **Assignee:** **Liberty Hardware Mfg. Corp.**,  
Winston-Salem, NC (US)

(\*\*) **Term:** **14 Years**

(21) **Appl. No.:** **29/291,862**

(22) **Filed:** **Sep. 19, 2007**

(51) **LOC (9) Cl.** ..... **08-06**

(52) **U.S. Cl.** ..... **D8/316**

(58) **Field of Classification Search** ..... D8/300,  
D8/302, 305, 311-321, DIG. 1, DIG. 2, DIG. 10;  
D7/393, 394; D3/318; D6/549, 524, 533,  
D6/550; D23/250-254, 303, 305; D15/89;  
292/347, 336.3; 211/16, 182; 220/752-754;  
16/441, 118, 110 R, 111 R, DIG. 19, DIG. 30,  
16/110.1, 412, 414-420, 443-446

See application file for complete search history.

(56) **References Cited**

U.S. PATENT DOCUMENTS

D49,410 S *	7/1916	Sargent	.....	D8/316
D105,966 S *	9/1937	Morand et al.	.....	D8/316
D194,968 S *	4/1963	Stelma	.....	D8/317
D200,196 S *	2/1965	Carsello	.....	D8/317

D203,031 S *	11/1965	Carsello	.....	D8/317
D205,349 S *	7/1966	Clayton	.....	D8/316
D225,302 S *	12/1972	Tegner	.....	D8/316
D257,476 S *	11/1980	Sirois	.....	D8/316
D290,336 S *	6/1987	Paul	.....	D8/308
D315,488 S *	3/1991	Tremonti	.....	D8/316
D323,021 S *	1/1992	Kohler et al.	.....	D23/252
D431,445 S *	10/2000	Short	.....	D8/316
D451,782 S *	12/2001	Dewald	.....	D8/317
D471,075 S *	3/2003	Fields	.....	D8/316
D552,447 S *	10/2007	Krumpe et al.	.....	D8/316
D552,958 S *	10/2007	Krumpe et al.	.....	D8/316

\* cited by examiner

*Primary Examiner* — Stella M. Reid

*Assistant Examiner* — Mark A Goodwin

(74) *Attorney, Agent, or Firm* — Edgar A. Zarine; Lloyd D. Doigan

(57) **CLAIM**

The ornamental design for a pull, as shown and described.

**DESCRIPTION**

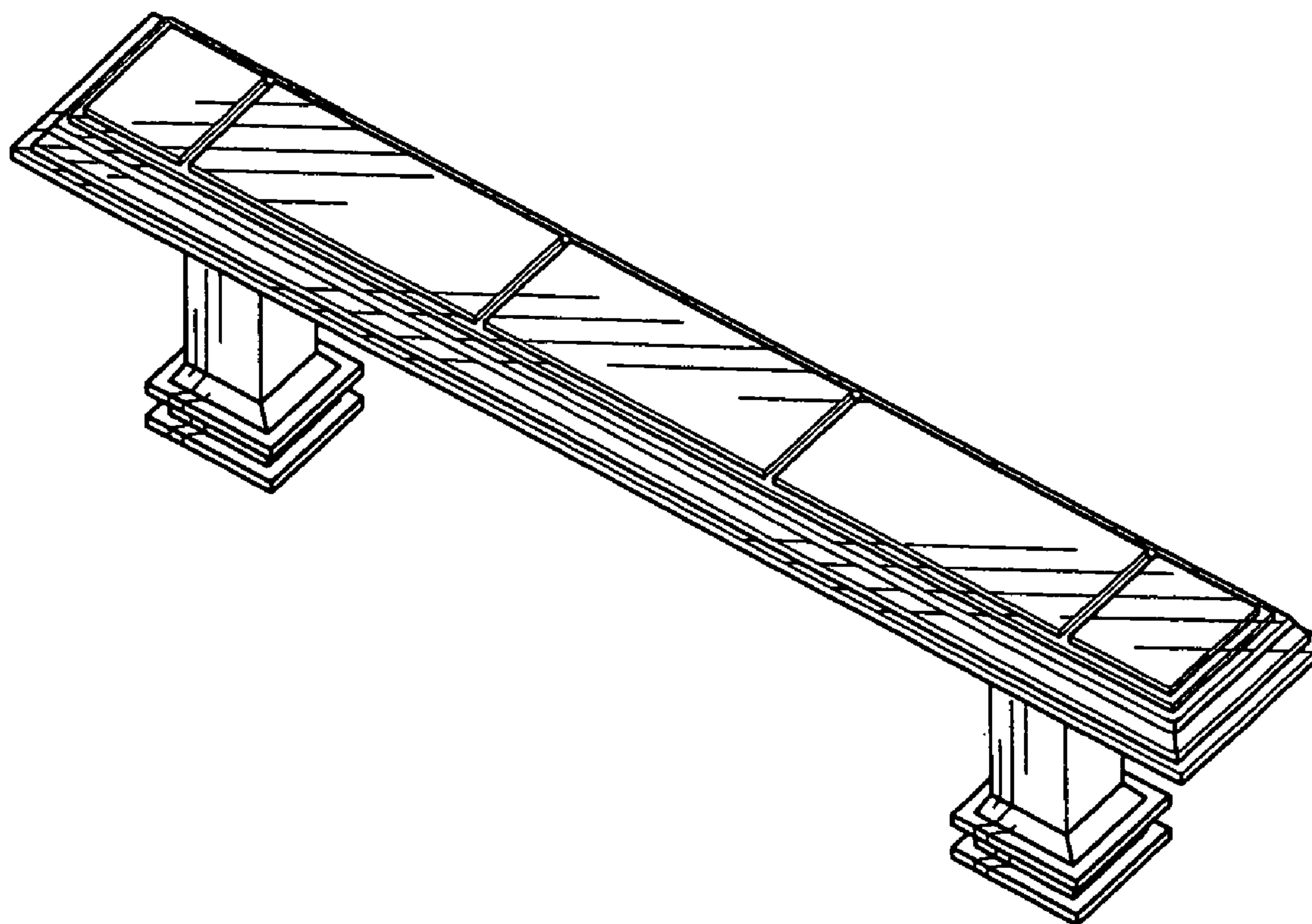
FIG. 1 is a front perspective view of a pull showing my new design;

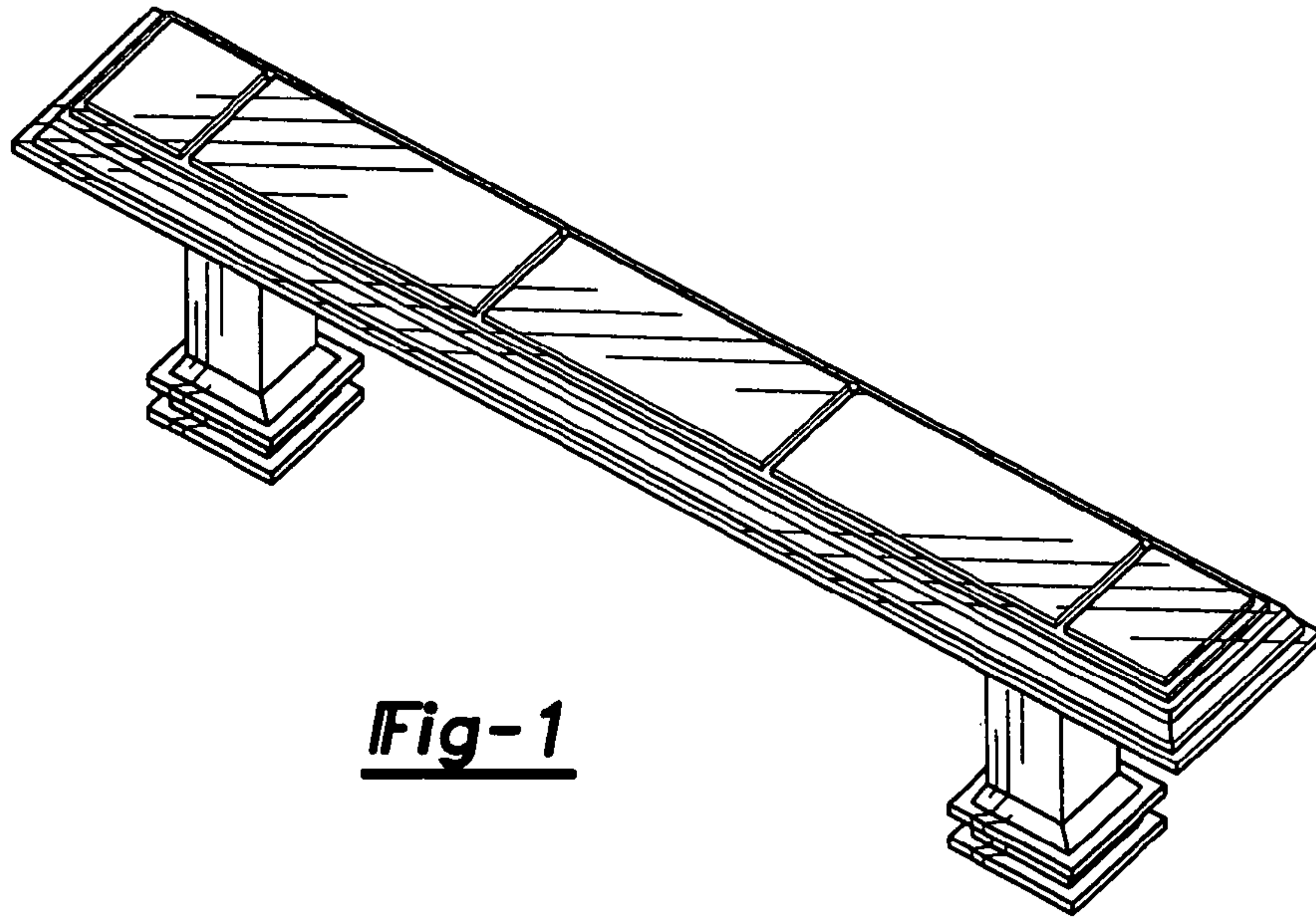
FIG. 2 is a side view thereof, the opposite side being a mirror image of the side shown;

FIG. 3 is a front elevational view thereof; and,

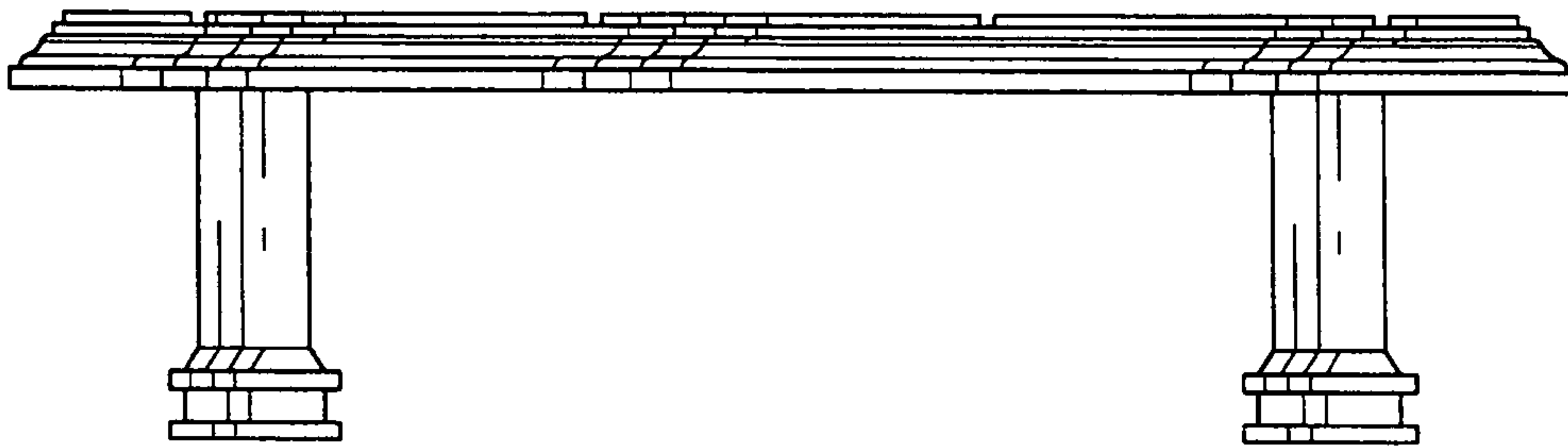
FIG. 4 is an end view thereof, the opposite end being a mirror image of the end shown.

**1 Claim, 1 Drawing Sheet**

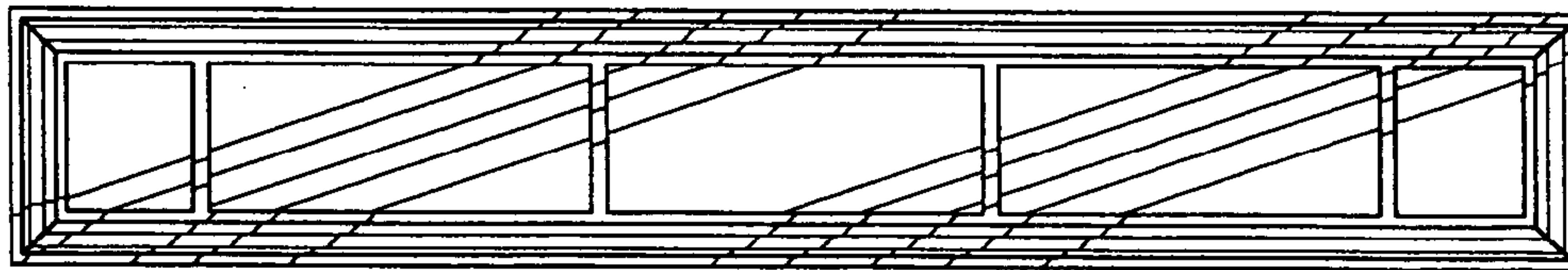




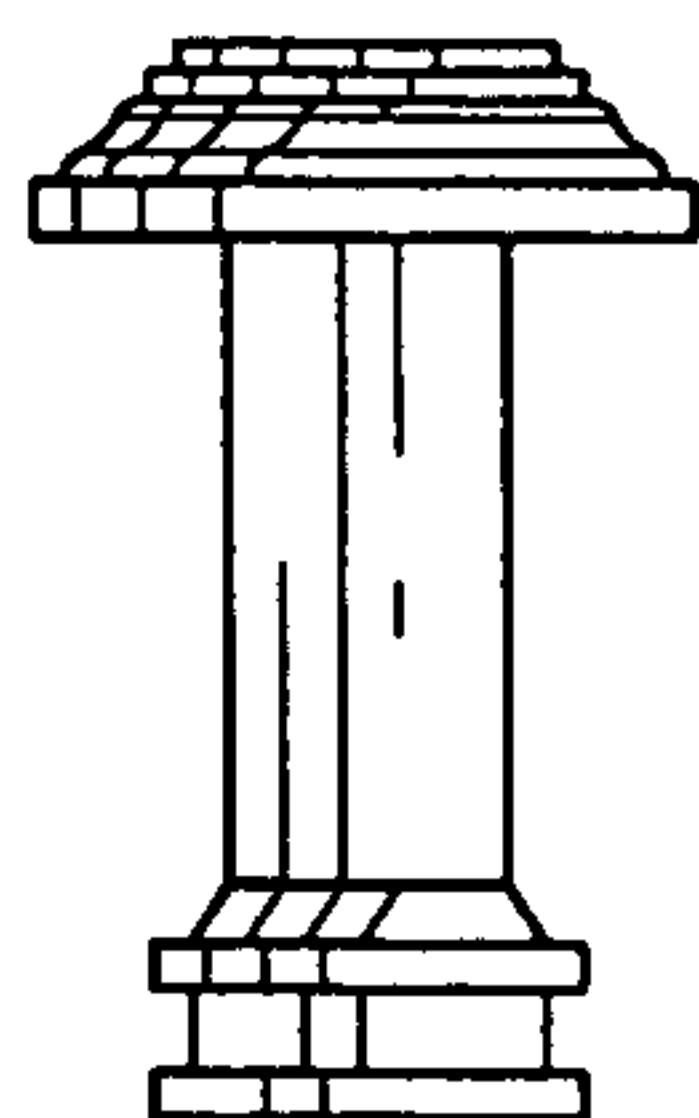
**Fig-1**



**Fig-2**



**Fig-3**



**Fig-4**