



US00D635003S

(12) **United States Design Patent**  
**Rivera et al.**

(10) **Patent No.:** **US D635,003 S**  
(45) **Date of Patent:** **\*\* Mar. 29, 2011**

(54) **HAND TOOL**

(75) Inventors: **Benjamin C. Rivera**, Lake Oswego, OR (US); **Jeffrey L. Caniparoli**, Milwaukie, OR (US); **Jeffrey B. Castro**, Portland, OR (US); **Blair Scott Barnes**, Portland, OR (US)

(73) Assignee: **Leatherman Group, Inc.**, Portland, OR (US)

(\*\*) Term: **14 Years**

(21) Appl. No.: **29/352,326**

(22) Filed: **Dec. 18, 2009**

(51) **LOC (9) Cl.** ..... **08-05**

(52) **U.S. Cl.** ..... **D8/105; D8/331**

(58) **Field of Classification Search** ..... D8/105, D8/99, 394, 356, 344, 343, 342, 331, 98, D8/20; 30/161, 164, 153, 152, 294; 7/118, 7/125-135, 138, 143, 164; 81/177.1, 177.2, 81/177.6; D11/216; D22/118

See application file for complete search history.

(56) **References Cited**

**U.S. PATENT DOCUMENTS**

D33,499 S *	11/1900	Norris	.....	D8/394
D266,395 S *	10/1982	Miller	.....	D8/343
D283,672 S *	5/1986	Greco	.....	D8/331
4,680,861 A *	7/1987	Meurer	.....	30/298.4
D329,799 S *	9/1992	Conklin	.....	D8/331
5,212,844 A	5/1993	Sessions et al.		
D371,498 S	7/1996	Lai		
5,564,318 A	10/1996	Pail		
D377,446 S *	1/1997	Ford et al.	.....	D8/331
5,664,274 A	9/1997	Collins		
5,689,886 A	11/1997	Yeh		
D392,519 S	3/1998	Hung		
5,815,930 A *	10/1998	Kojima	.....	30/294
D406,508 S	3/1999	Rivera		
D414,092 S	9/1999	Chang		
D414,387 S	9/1999	Hung		
6,003,180 A	12/1999	Frazer		

6,009,582 A	1/2000	Harrison et al.		
D424,406 S *	5/2000	Frey	.....	D8/331
D426,446 S	6/2000	Chau		
D427,501 S *	7/2000	Berg et al.	.....	D8/105
D429,621 S *	8/2000	Rivera	.....	D8/343
6,223,374 B1	5/2001	Lin		

(Continued)

**OTHER PUBLICATIONS**

Multi Tools 14-in-1 Hammer Tool [online] [retrieved Jan. 25, 2010]. Retrieved from the internet: <URL: [http://greatnecksaw.com/product\\_info.php?pName=14in1-hammer-tool&cName=all-purpo...](http://greatnecksaw.com/product_info.php?pName=14in1-hammer-tool&cName=all-purpo...)>. 2 pages.

(Continued)

*Primary Examiner* — Austin Murphy

(74) *Attorney, Agent, or Firm* — Alston & Bird LLP

(57) **CLAIM**

The ornamental design for a hand tool, as shown and described.

**DESCRIPTION**

FIG. 1 is a perspective view of a hand tool according to our new design;

FIG. 2 is a left side elevation view thereof;

FIG. 3 is a right side elevation view thereof;

FIG. 4 is a top plan view thereof;

FIG. 5 is a bottom plan view thereto;

FIG. 6 is a front elevation view thereof;

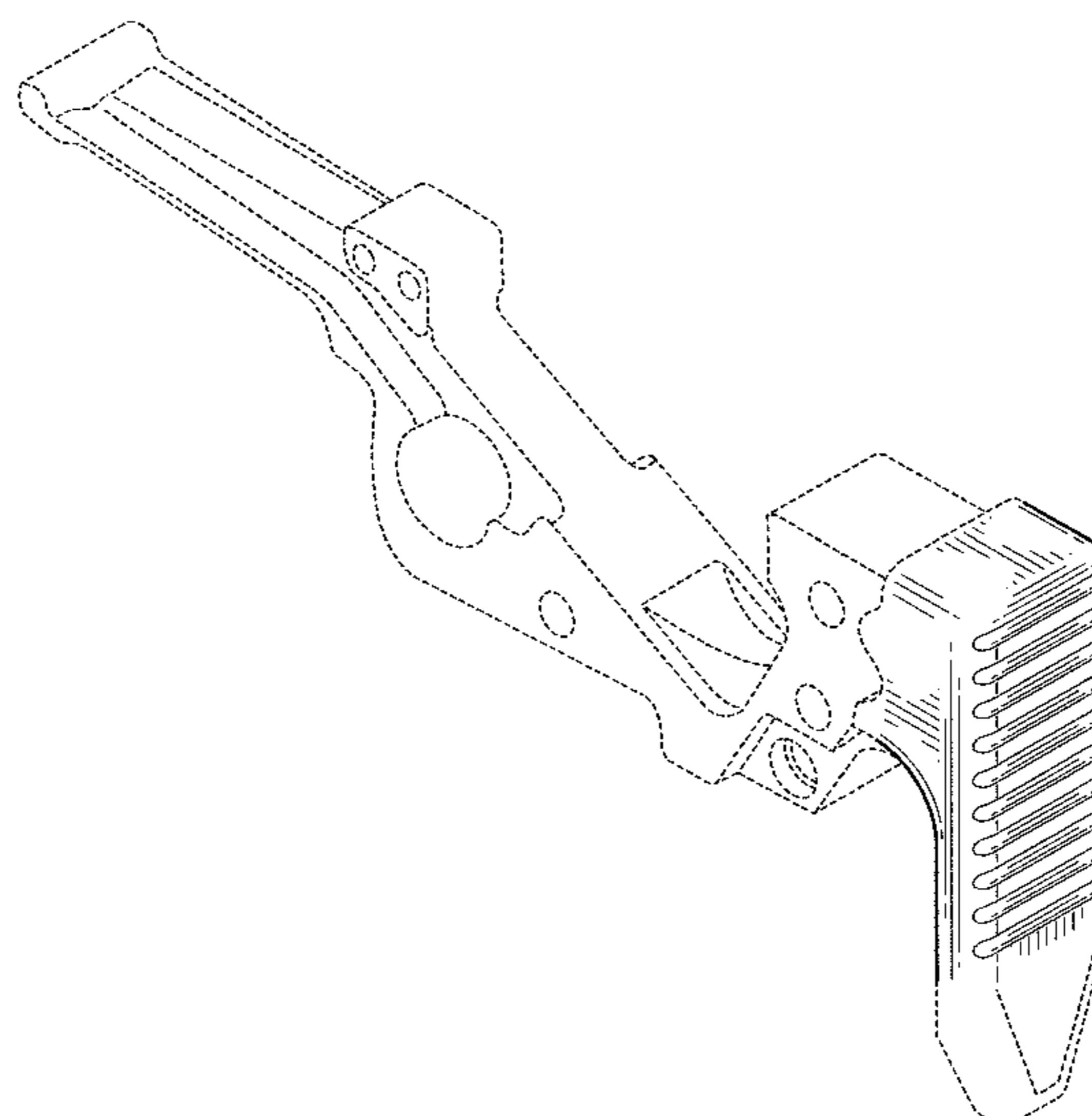
FIG. 7 is a rear elevation view thereof;

FIG. 8 is a right side elevation view thereof, shown in the environment of a complete hand tool, shown in a closed configuration; and,

FIG. 9 is a left side elevation view thereof, shown in the environment of a complete hand tool, shown in an open configuration.

The broken lines shown in the drawings represent unclaimed portions of the hand tool that form no part of the claimed design.

**1 Claim, 7 Drawing Sheets**



# US D635,003 S

Page 2

## U.S. PATENT DOCUMENTS

D444,371	S *	7/2001	Leonowich	.....	D8/331	7,406,896	B2	8/2008	Rivera	
D445,326	S	7/2001	Alfaro			D578,847	S *	10/2008	Mashburn	..... D8/20
6,282,997	B1	9/2001	Frazer			D592,931	S	5/2009	Nenadic	
6,289,768	B1	9/2001	Anderson et al.			7,568,408	B2	8/2009	Tsuda	
6,293,018	B1	9/2001	Rivera			7,596,870	B2	10/2009	Klecker et al.	
D455,629	S	4/2002	Ping			7,607,231	B2	10/2009	Klecker et al.	
6,389,626	B1	5/2002	Hung			D607,298	S *	1/2010	Lucas	..... D8/98
D468,993	S *	1/2003	Dilgard et al.	.....	D8/343	7,730,811	B2	6/2010	Robinson et al.	
D469,328	S	1/2003	Ping			2001/0014986	A1	8/2001	Harrison	
D469,681	S *	2/2003	Votruba et al.	.....	D8/343					
D488,700	S *	4/2004	Montague	.....	D8/331					
D494,840	S *	8/2004	Senn	.....	D8/344					
D503,328	S *	3/2005	Catlett	.....	D8/342					
7,028,591	B2	4/2006	Dallas et al.							
7,051,627	B2	5/2006	Rivera							
D528,396	S *	9/2006	Knight	.....	D8/99					
D541,618	S	5/2007	Klecker							
7,347,128	B2	3/2008	Rivera et al.							
7,353,736	B2	4/2008	Poehlmann							
7,363,669	B2	4/2008	Berg et al.							
D573,009	S *	7/2008	Nenadic	.....	D8/356					

## OTHER PUBLICATIONS

eFECT™, Speciality Tools, 2010 Gerber Military Product Catalog, Jun. 1, 2009, p. 16.

Tool [online] [retrieved Apr. 16, 2010]. Retrieved from the internet: <URL: <http://images.overstock.com/f/102/3117/8h/www.overstock.com/images/products/L12356101.jpg>>. 1 page.

Tool [online] [retrieved Apr. 16, 2010]. Retrieved from the internet: <URL: <http://images.solidcactus.com/autobarn/premium-14-in-1-multi-tool.jpg>>. 1 page.

\* cited by examiner

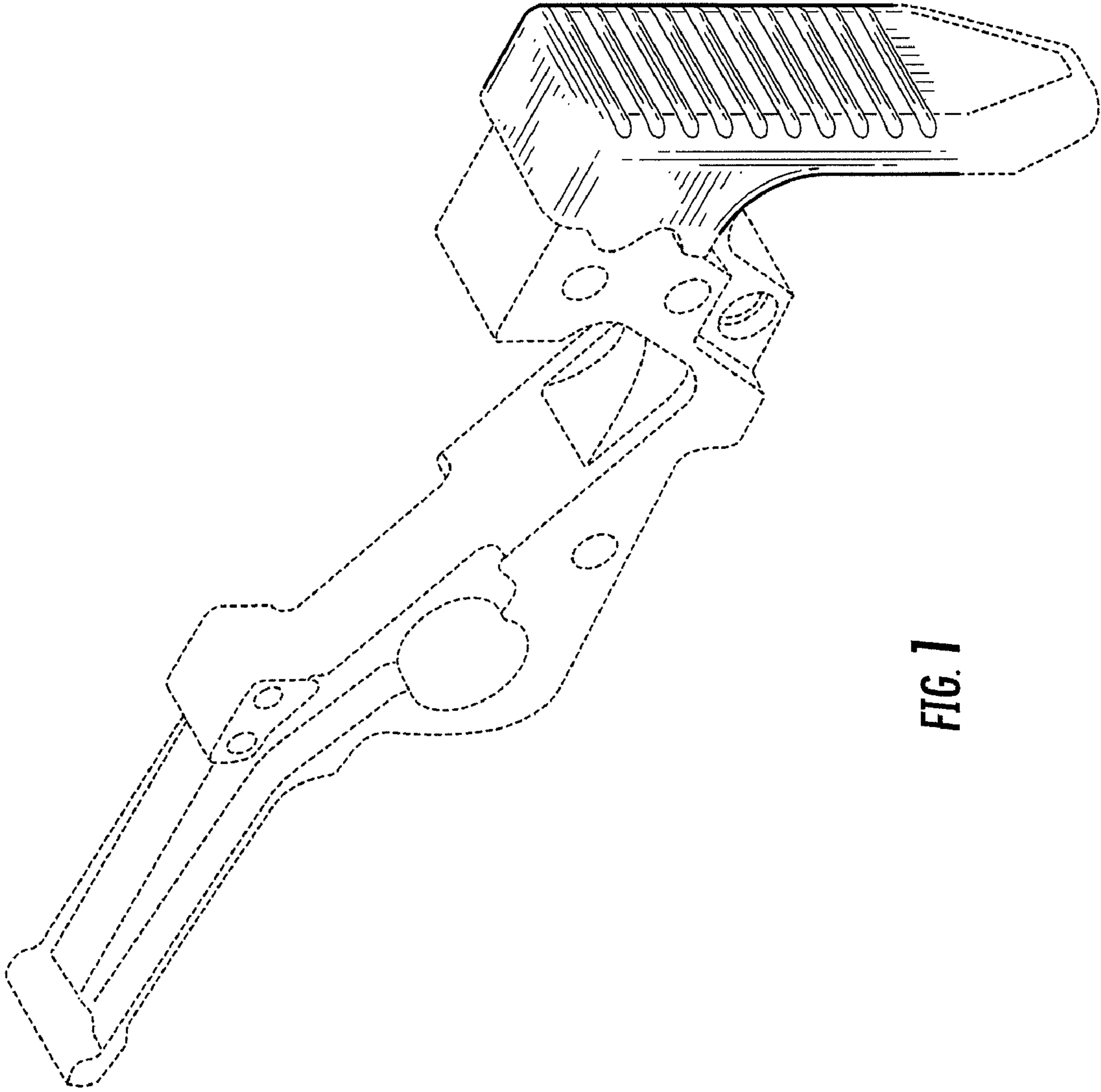


FIG. 1

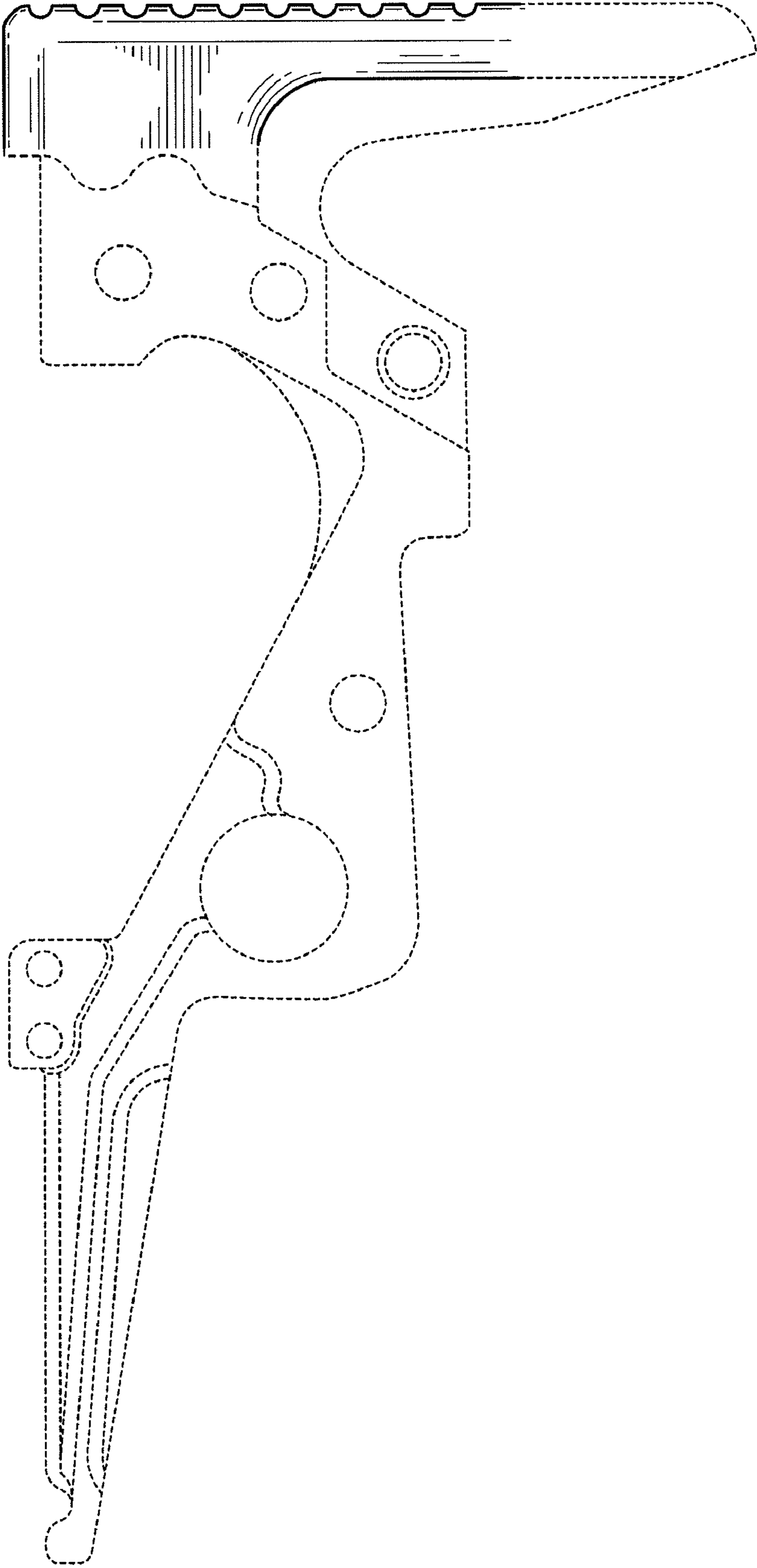


FIG. 2

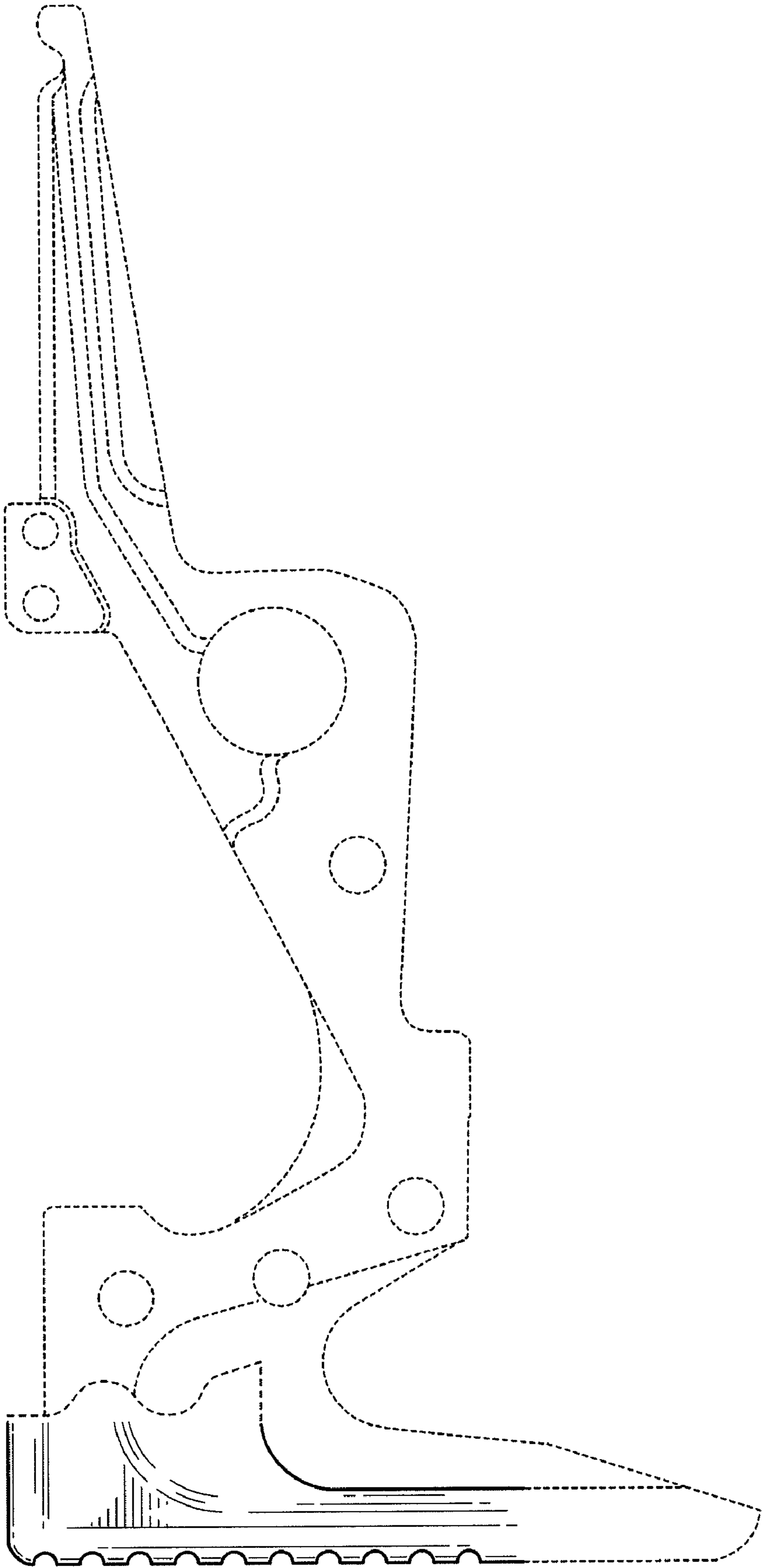
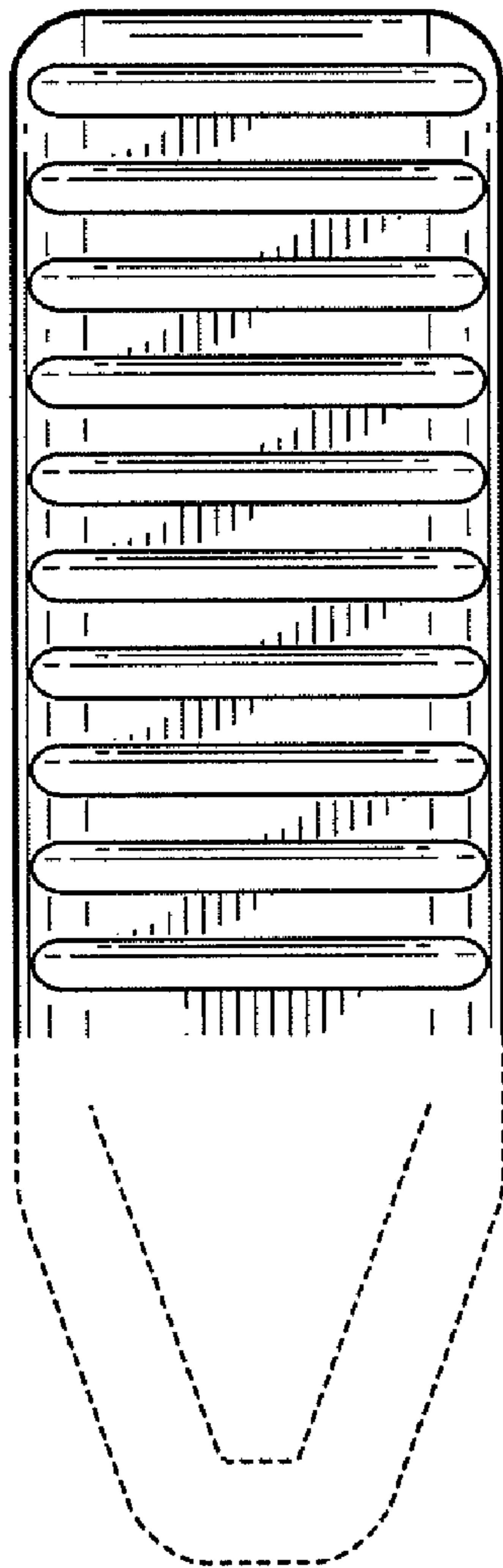
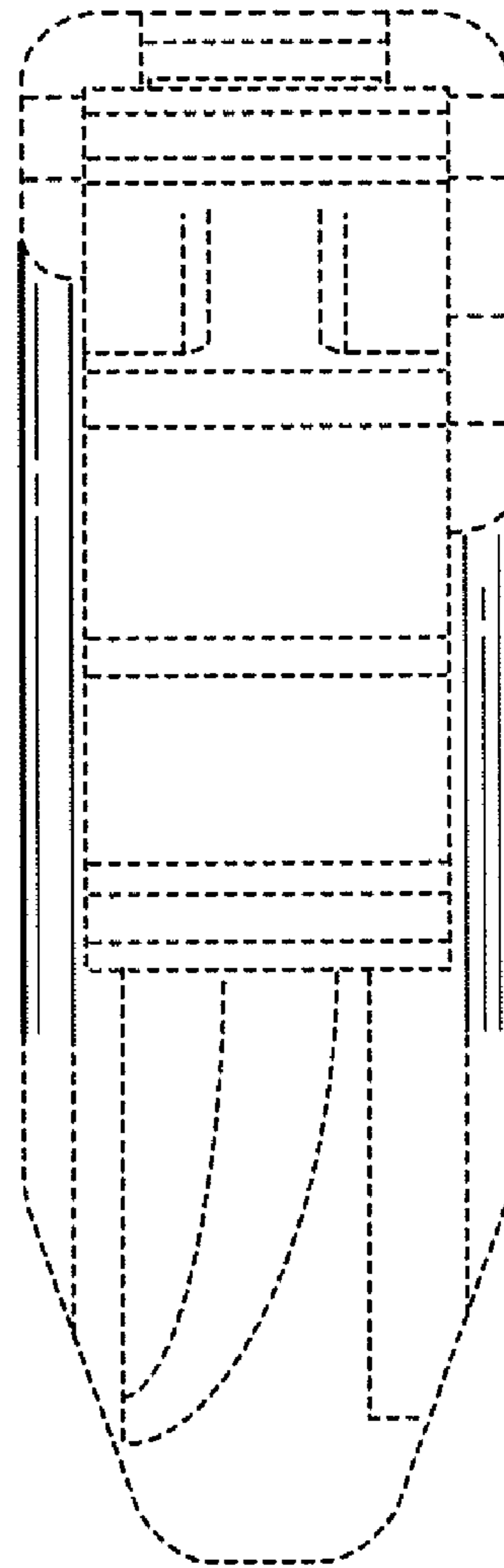


FIG. 3



**FIG. 4**



**FIG. 5**

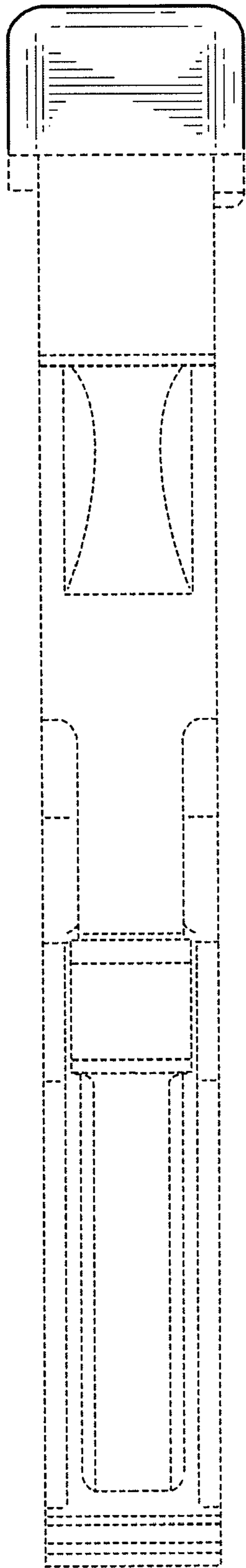


FIG. 6

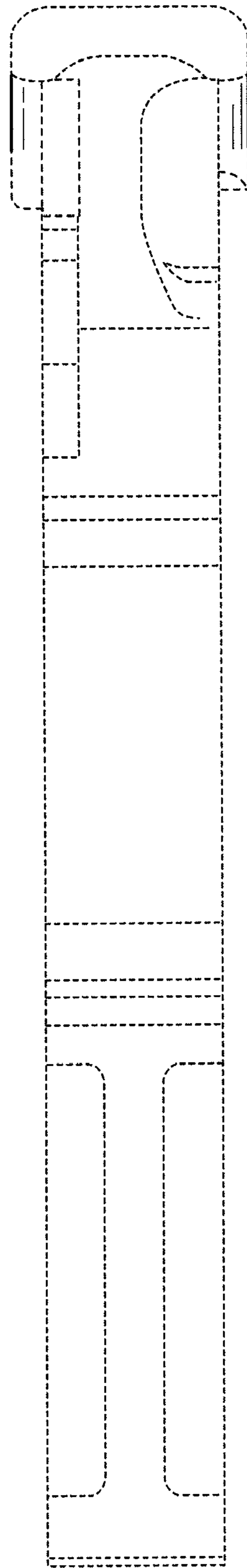
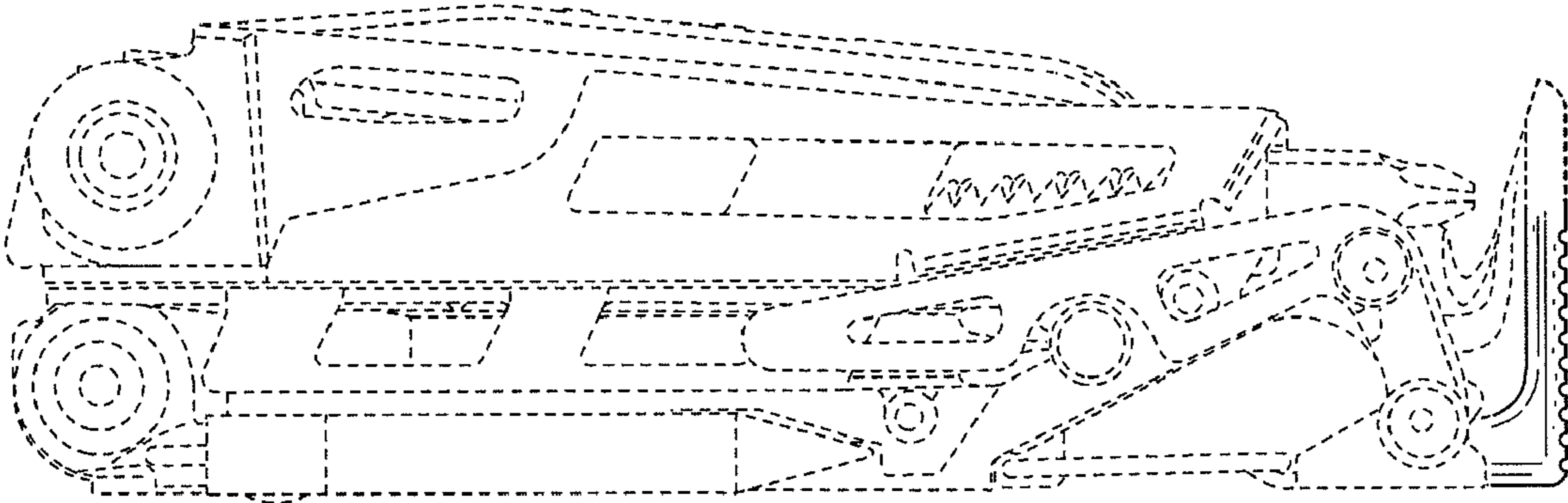
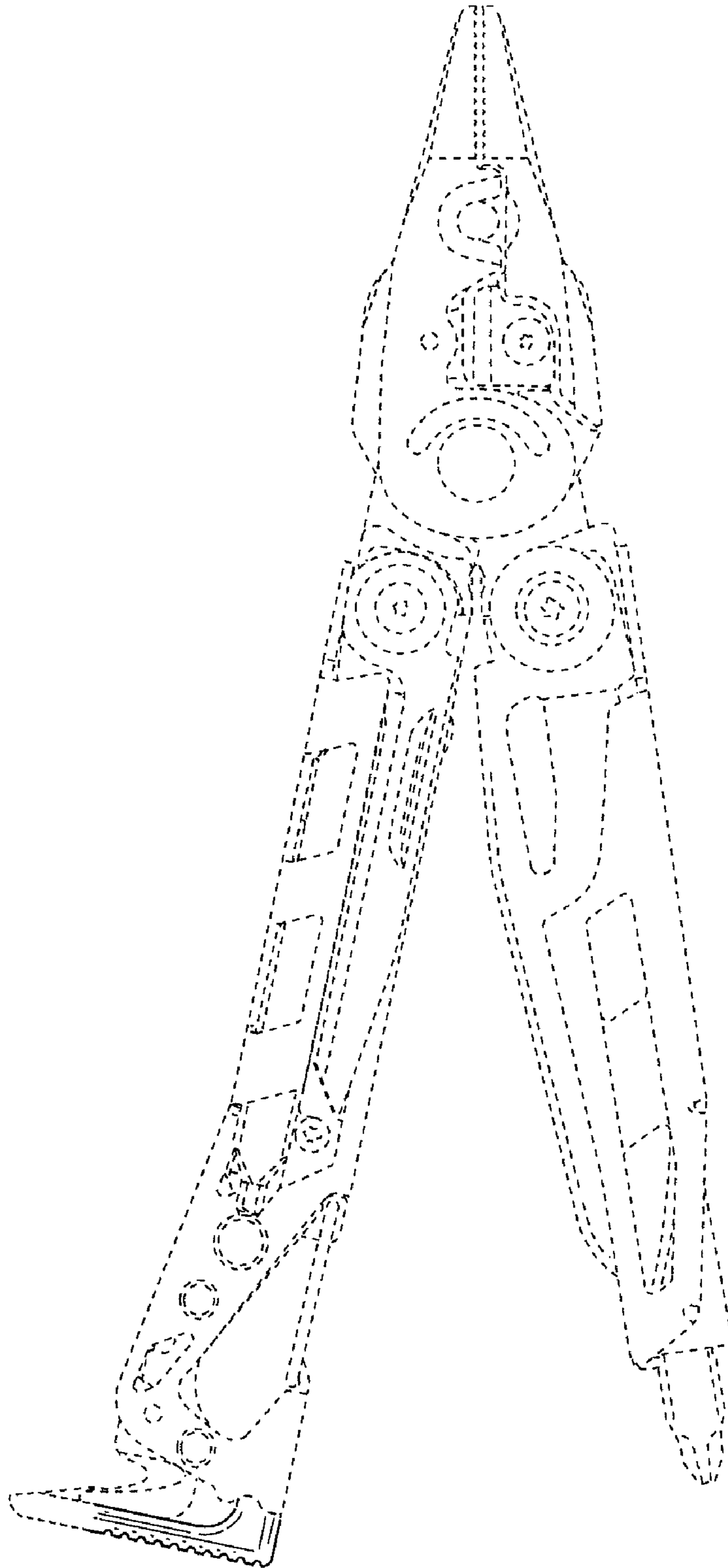


FIG. 7



**FIG. 8**





**FIG. 9**