



US00D635001S

(12) **United States Design Patent**
Adkins

(10) **Patent No.:** **US D635,001 S**
(45) **Date of Patent:** **** Mar. 29, 2011**

(54) **DOWLING JIG**

(75) Inventor: **Edward D. Adkins**, Machesney Park, IL (US)

(73) Assignee: **Nomis LLC**, Hampshire, IL (US)

(**) Term: **14 Years**

(21) Appl. No.: **29/357,694**

(22) Filed: **Mar. 16, 2010**

(51) **LOC (9) Cl.** **08-05**

(52) **U.S. Cl.** **D8/71**

(58) **Field of Classification Search** D8/71;
D15/140; 408/115 R, 103; 269/156, 242,
269/252, 258, 87.3

See application file for complete search history.

(56) **References Cited**

U.S. PATENT DOCUMENTS

6,220,796 B1 * 4/2001 Chiang 408/115 R
6,659,695 B2 12/2003 Park

OTHER PUBLICATIONS

Peachtree Woodworking Supply, Inc., Drill Bits and Accessories for Woodworking, pages printed from website, http://www.ptreeusa.com/drill_products.htm, date last visited Jun. 17, 2010, 2 pages.
Lumberjocks, DowelMax Precision Dowel Jig, page printed from website, <http://www.lumberjocks.com/reviews/274>, date last visited Jun. 17, 2010, 1 page.
Toolstation, Handtools/Carpenters Tools, Dowelling Jig Catalogue p. 131, page printed from website, <http://www.toolstation.com/shop/d10/sd150>, date last visited Jun. 17, 2010, 1 page.

Professional Hardware Supply Co., Dowel Pins, Jigs & Centers, Doweling Jig #45840, pages printed from website, <http://www.profhdwr.com/76709.html>, date last visited Jun. 17, 2010, 2 pages.
Rutlands, Dakota Double Dowel Jig, page printed from website, <http://www.rutlands.co.uk/cgi-bin/psProdDet.cgi/DKW16>, date last visited Jun. 17, 2010, 1 page.
Wolfcraft Inc., 4641 Dowel Quick Jig, pages printed from website, http://www.wolfcraft.us/display_product9cd9.htm?cat=4&group=20, date last visited Jun. 17, 2010, 2 pages.

* cited by examiner

Primary Examiner — Antoine D Davis

(74) *Attorney, Agent, or Firm* — Reinhart Boerner Van Deuren P.C.

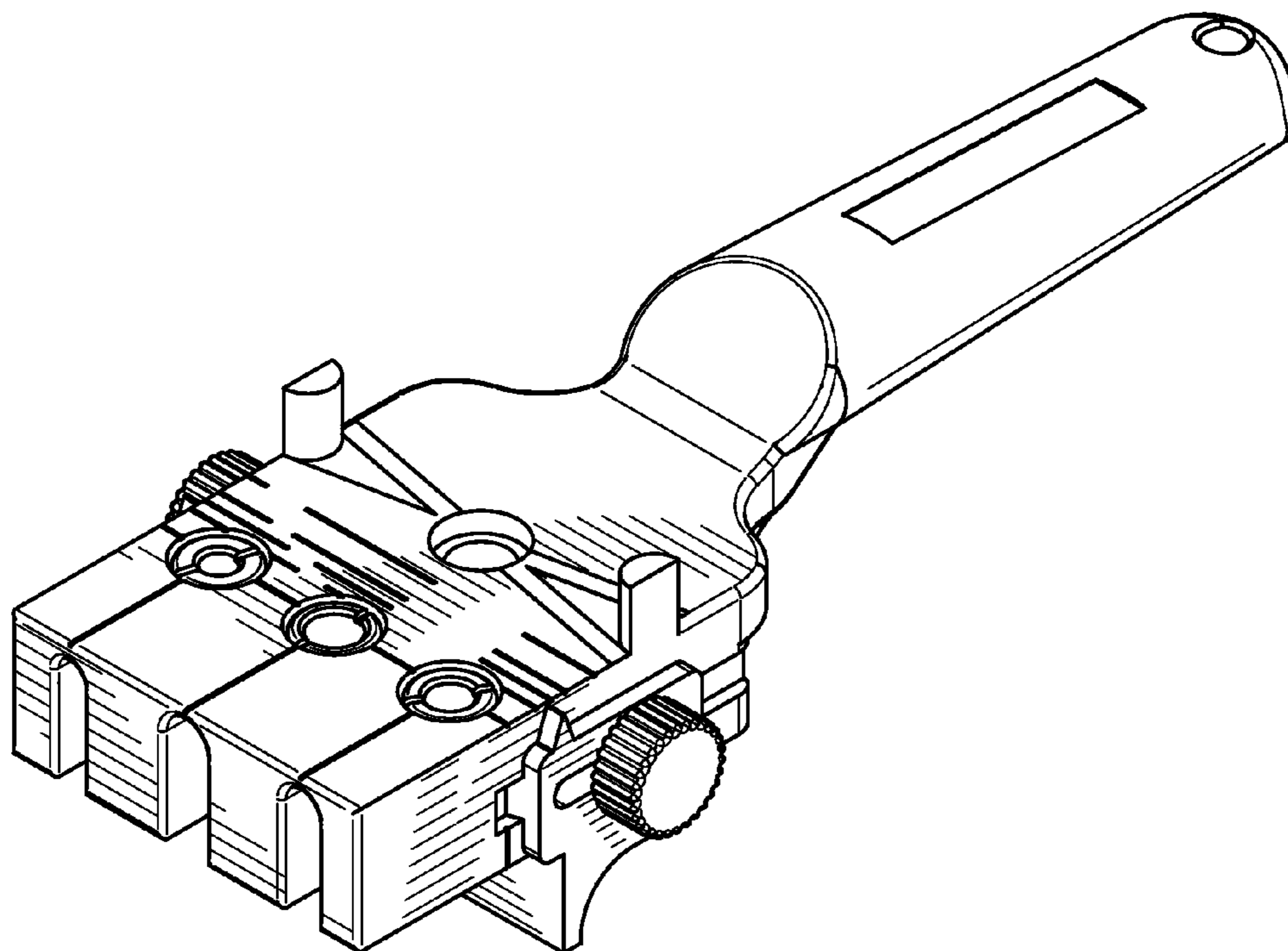
(57) **CLAIM**

I claim the ornamental design for the dowling jig, as shown and described.

DESCRIPTION

FIG. 1 is a top perspective view of the dowling jig;
FIG. 2 is a bottom perspective view thereof;
FIG. 3 is a top view thereof;
FIG. 4 is a side view thereof;
FIG. 5 is a bottom view thereof;
FIG. 6 is a side view thereof showing the side opposite that shown in FIG. 4;
FIG. 7 is a front view thereof; and,
FIG. 8 is a rear view thereof.
The dashed lines of FIGS. 2, 4, 5-6 and 8 are for illustrative purposes only and form no part of the claimed dowling jig design.

1 Claim, 4 Drawing Sheets



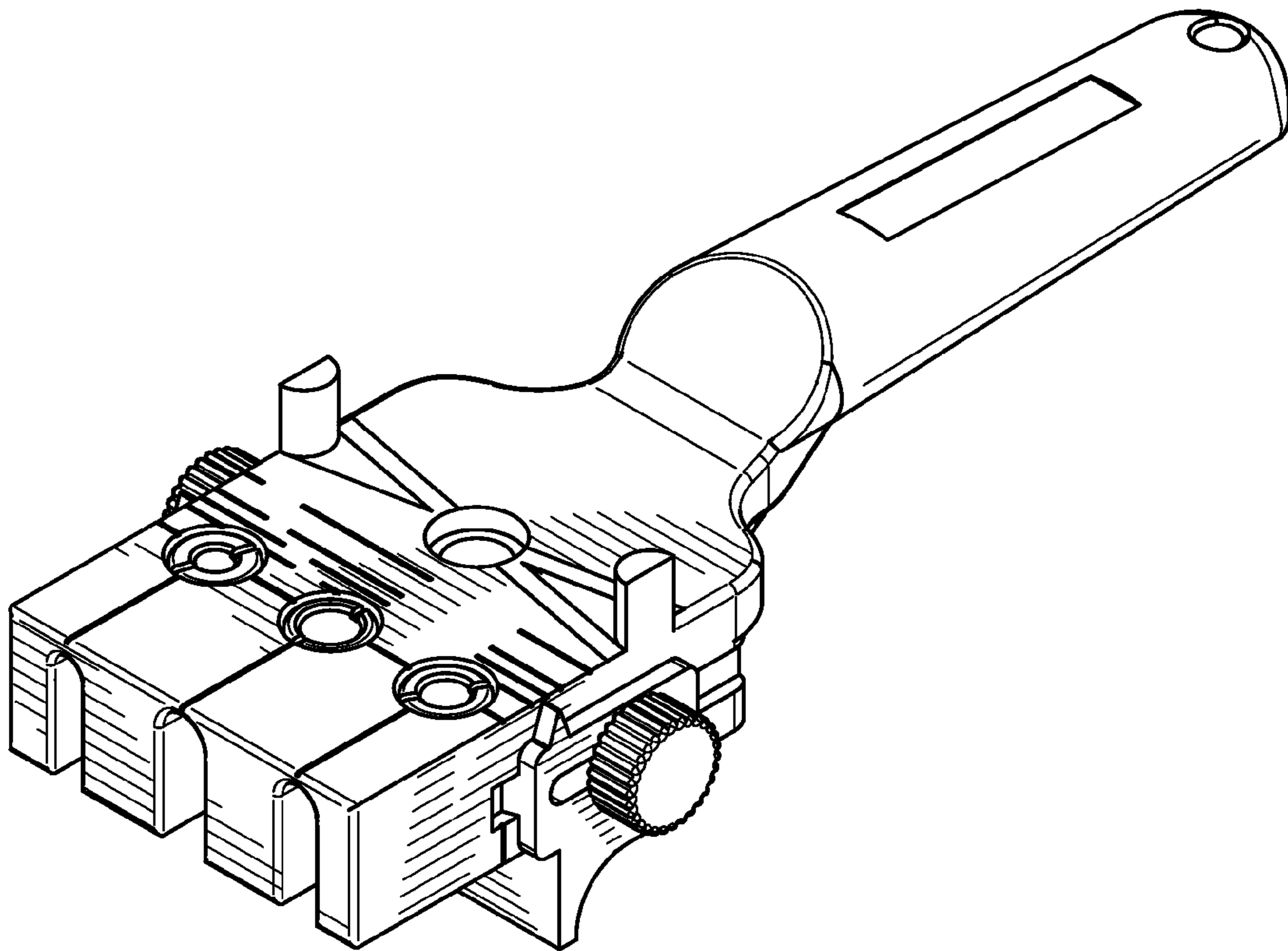


FIG. 1

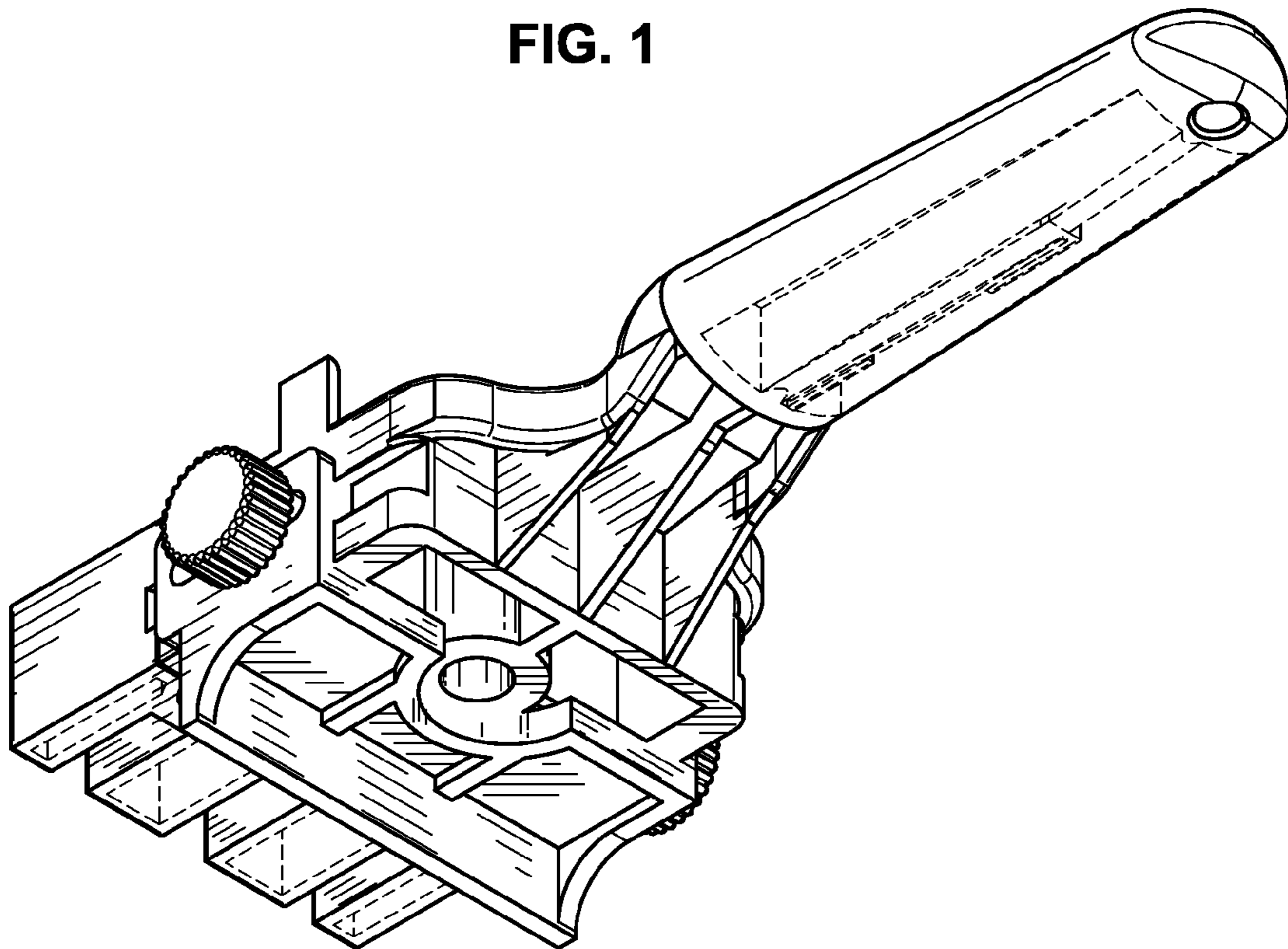


FIG. 2

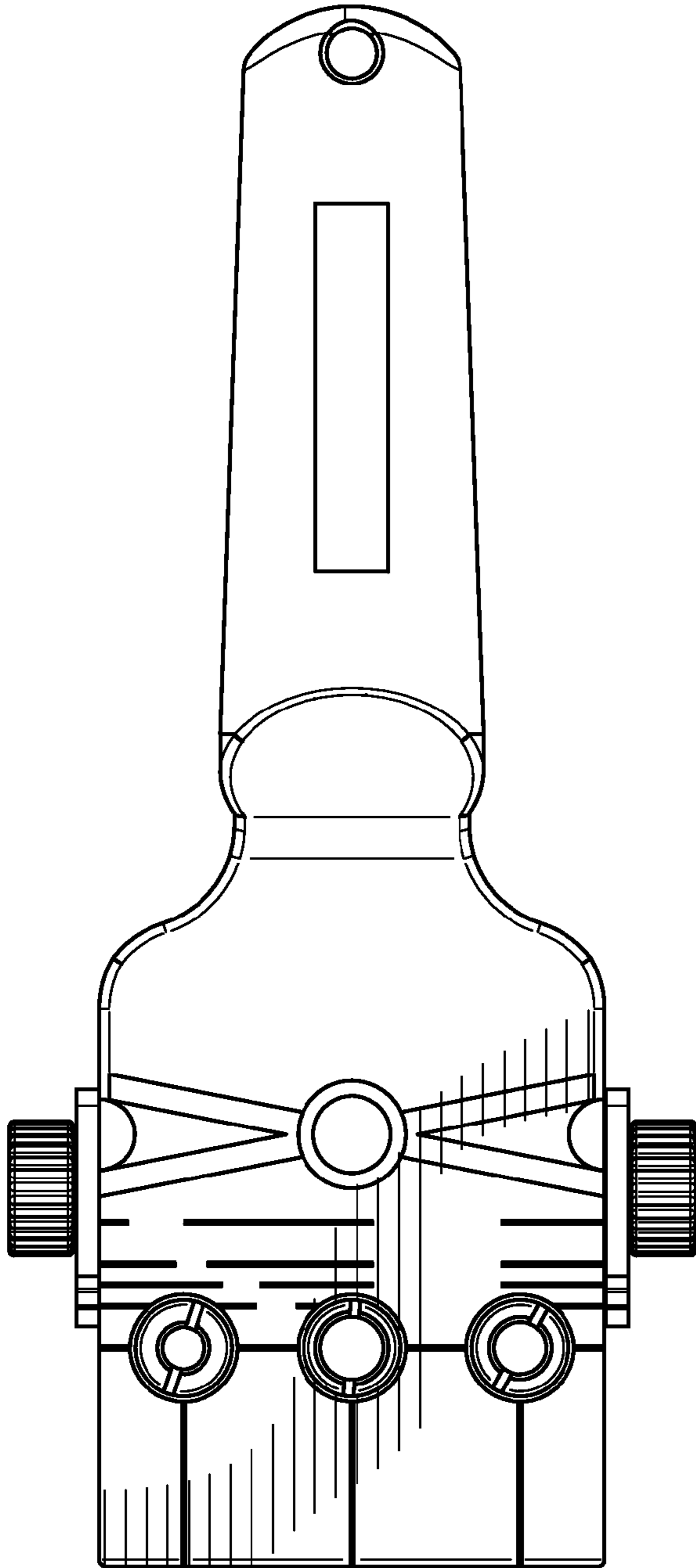


FIG. 3

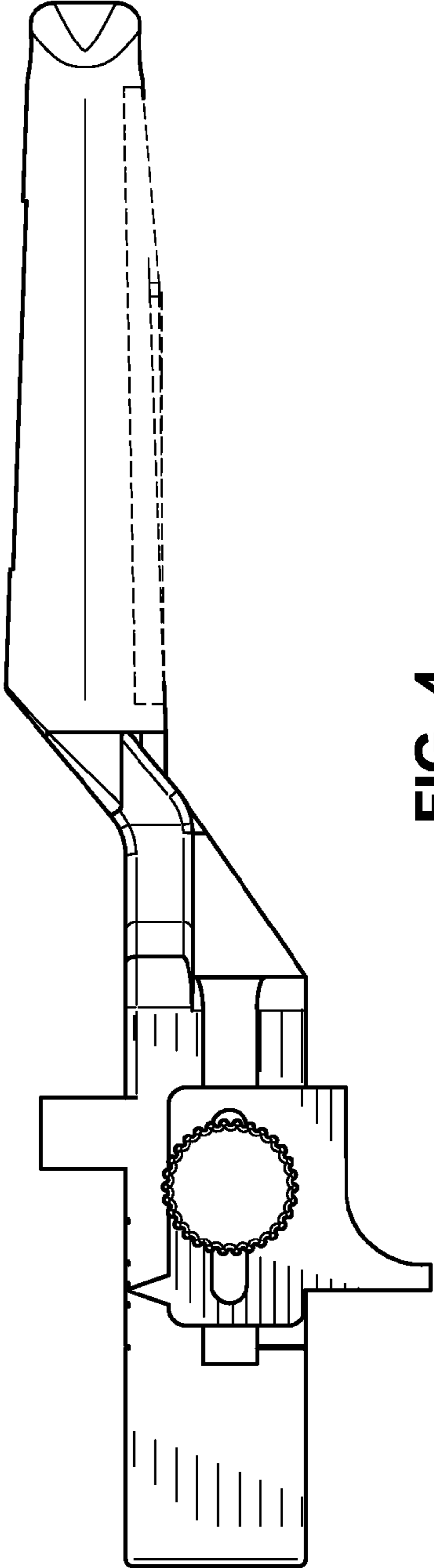


FIG. 4

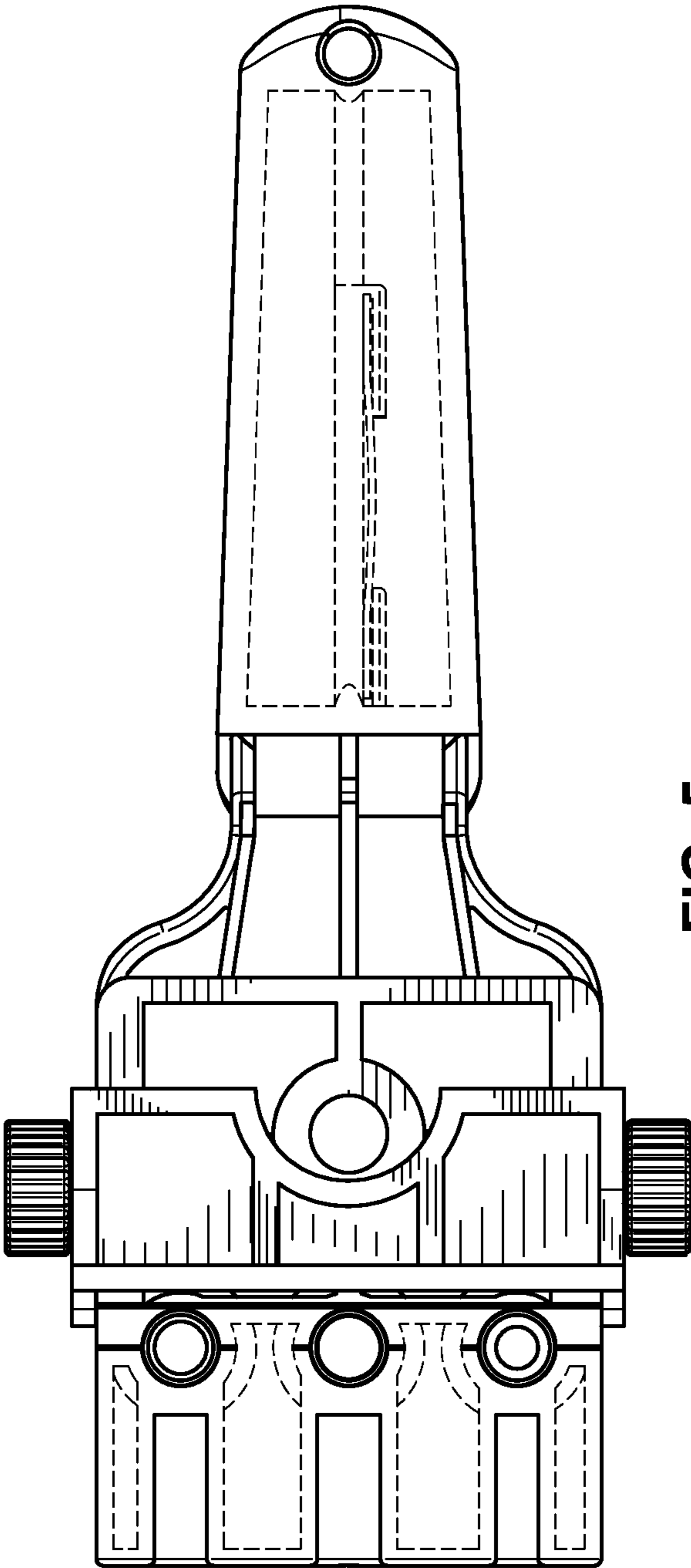


FIG. 5

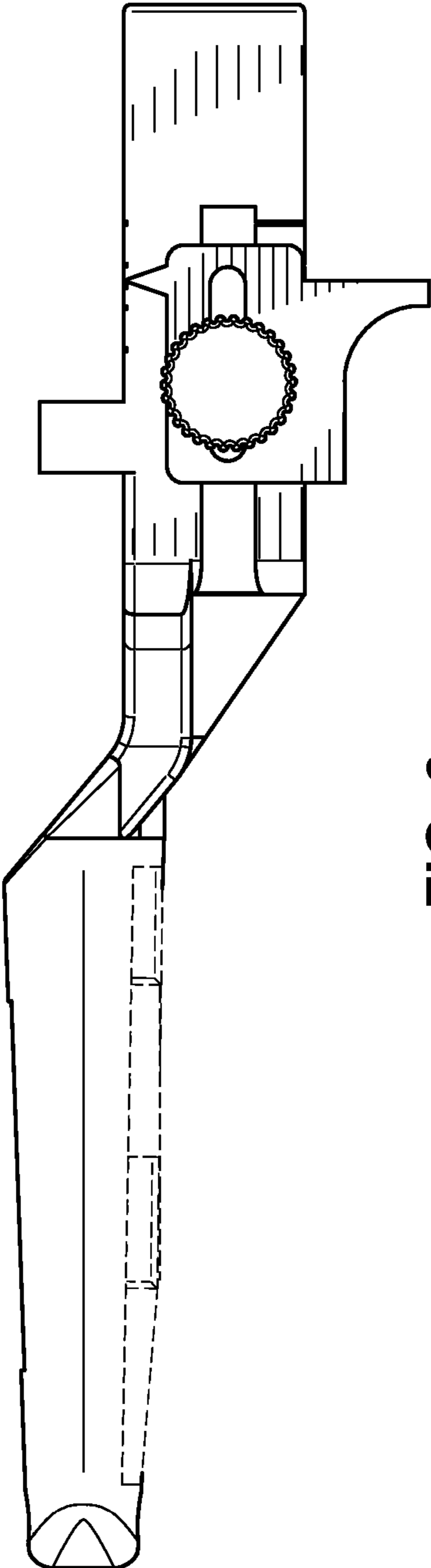


FIG. 6

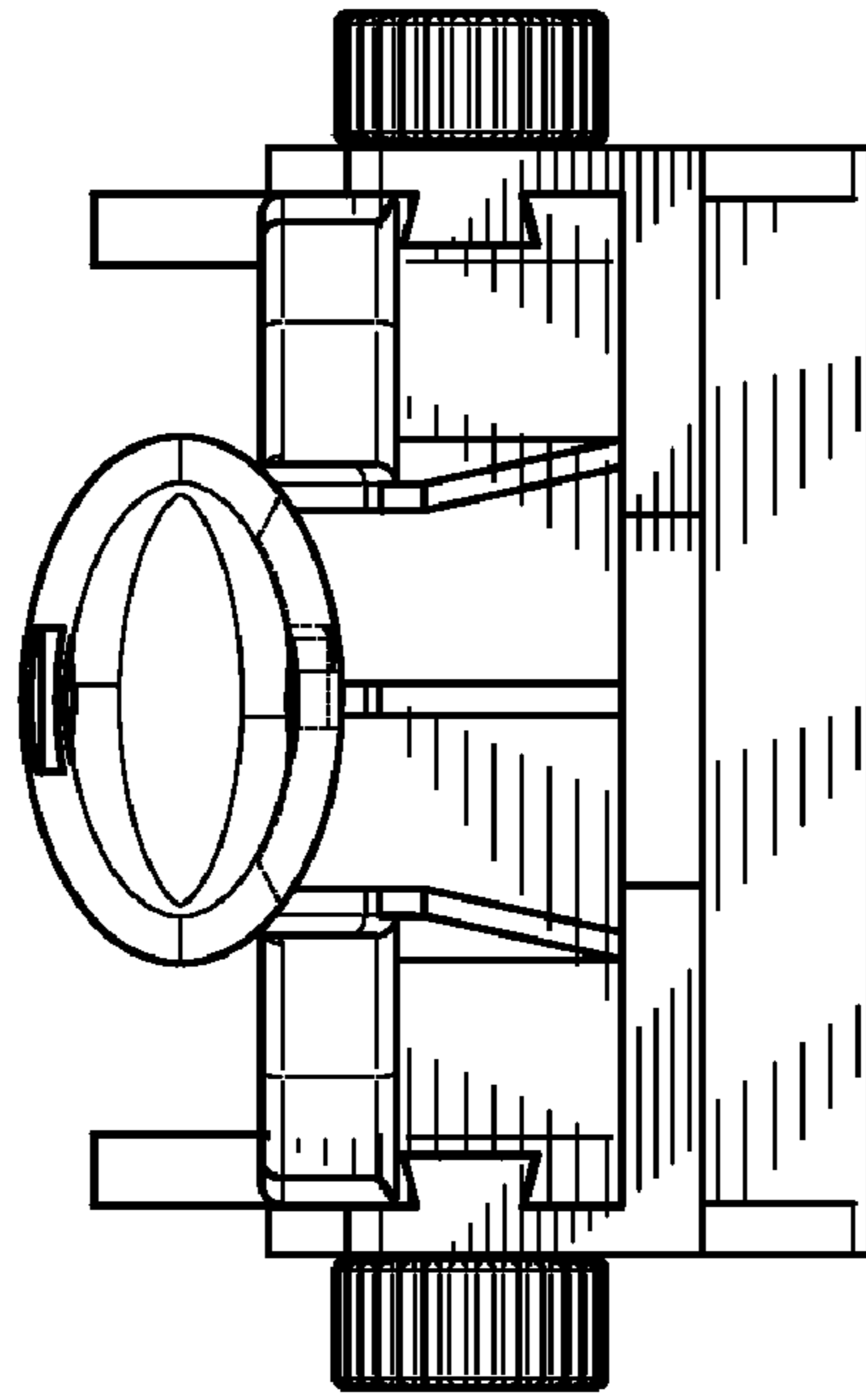


FIG. 8

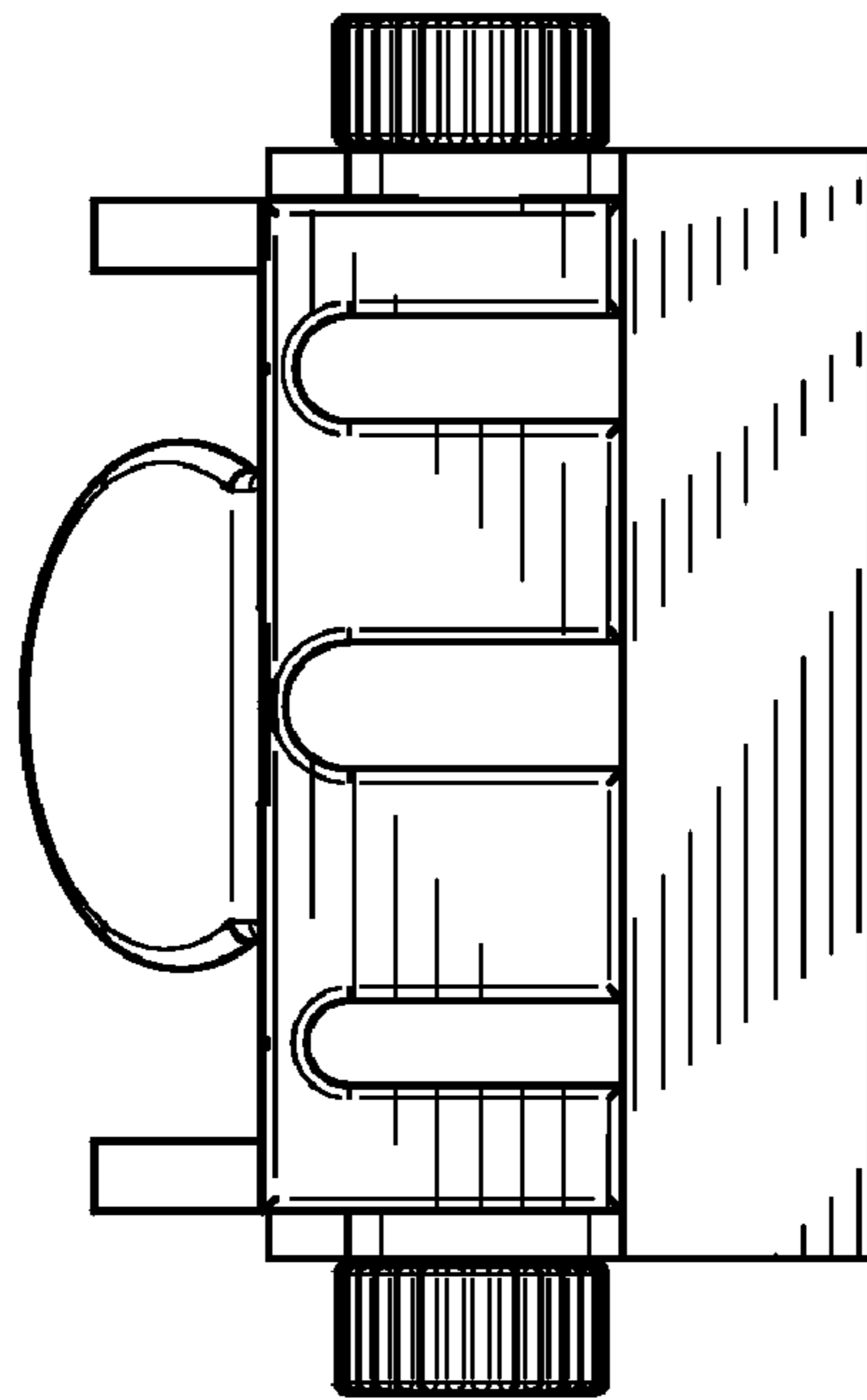


FIG. 7