



US00D635000S

(12) **United States Design Patent**  
**Fehr**

(10) **Patent No.:** **US D635,000 S**

(45) **Date of Patent:** **\*\* Mar. 29, 2011**

(54) **CHAINSAW CARVING BAR**

(56) **References Cited**

(75) Inventor: **Daniel W. Fehr**, Fairbury, IL (US)

(73) Assignee: **Daniel W. Fehr**, Fairbury, IL (US)

(\*\*) Term: **14 Years**

(21) Appl. No.: **29/356,998**

(22) Filed: **Mar. 5, 2010**

(51) **LOC (9) Cl.** ..... **08-05**

(52) **U.S. Cl.** ..... **D8/70**

(58) **Field of Classification Search** ..... D8/70,  
D8/71; 30/383-387; 83/821-829

See application file for complete search history.

U.S. PATENT DOCUMENTS

D321,819 S \* 11/1991 Takishita ..... D8/70  
2008/0178478 A1 \* 7/2008 Chang ..... 30/383  
\* cited by examiner

*Primary Examiner* — Antoine D Davis

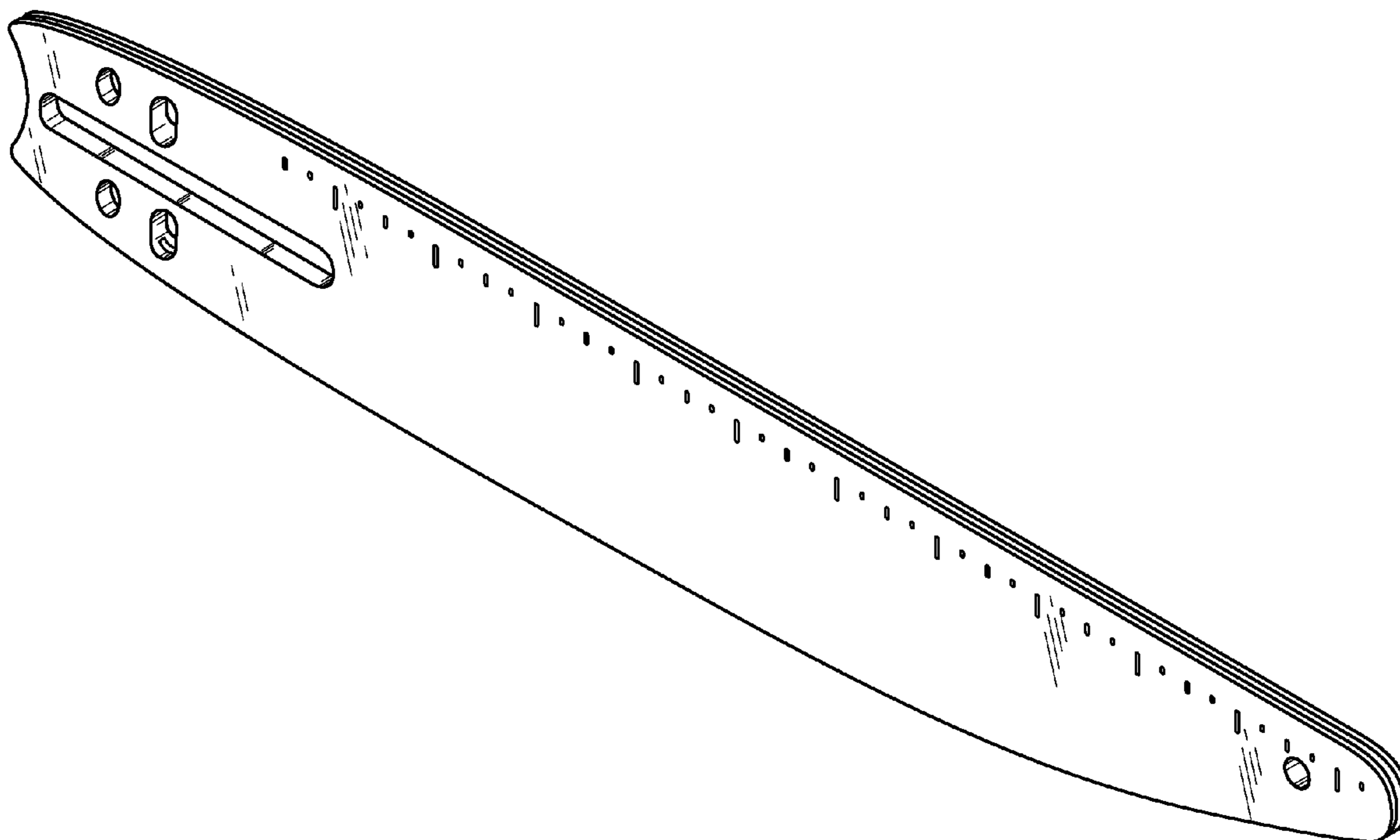
(57) **CLAIM**

What is claimed is the ornamental design for a chainsaw carving bar, as shown and described.

**DESCRIPTION**

FIG. 1 is a perspective view of a chainsaw carving bar, showing the new design;  
FIG. 2 is a front elevational view thereof;  
FIG. 3 is a left-side elevational view thereof;  
FIG. 4 is a right-side elevational view thereof;  
FIG. 5 is a rear elevational view thereof;  
FIG. 6 is a top plan view thereof; and,  
FIG. 7 is a bottom plan view thereof.

**1 Claim, 2 Drawing Sheets**



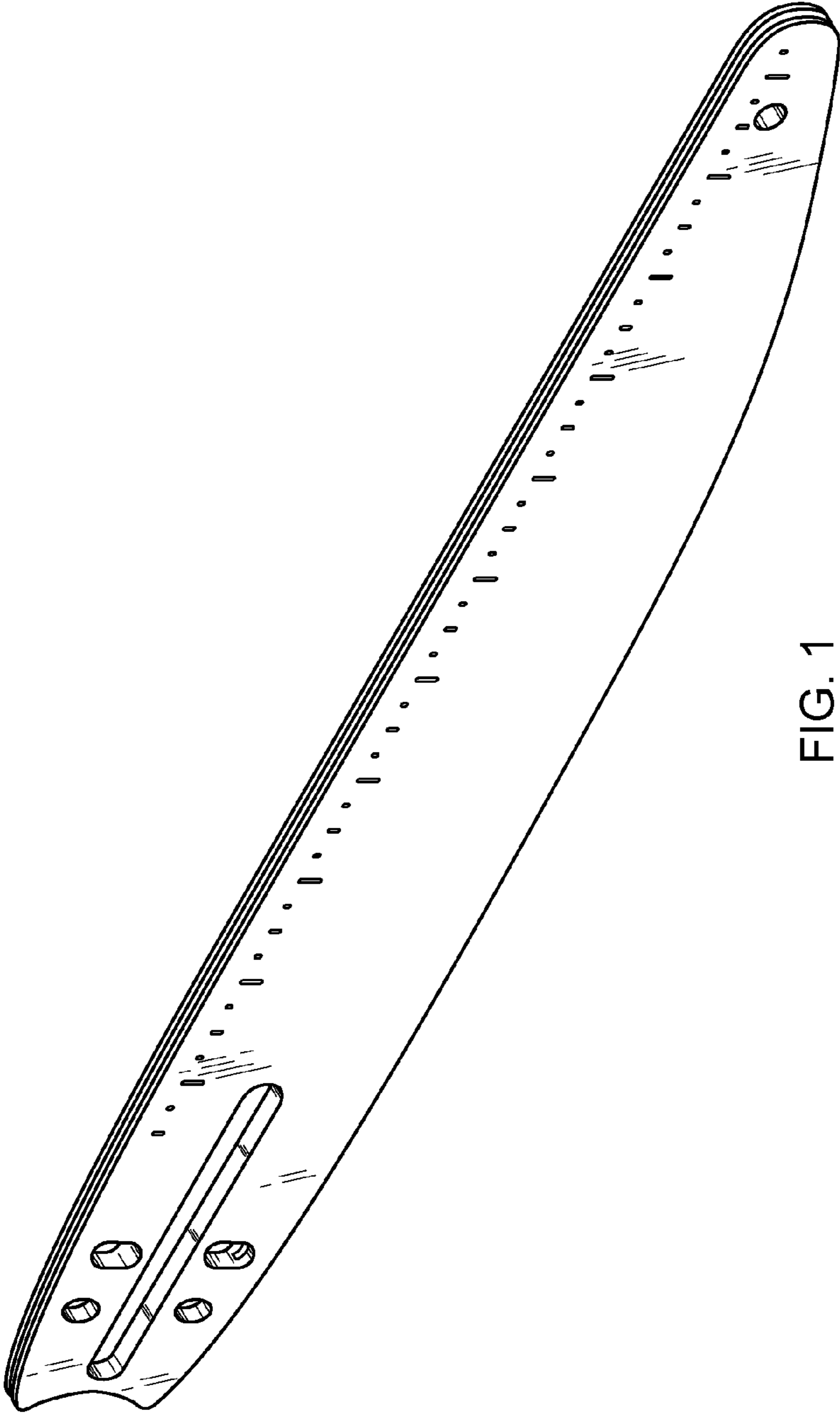


FIG. 1

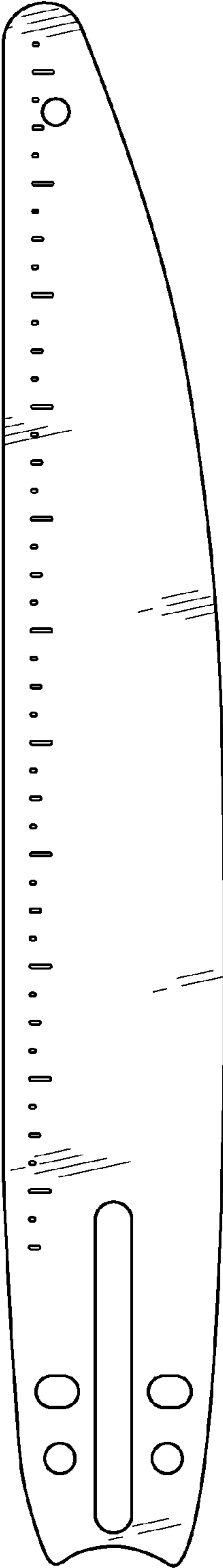


FIG. 2

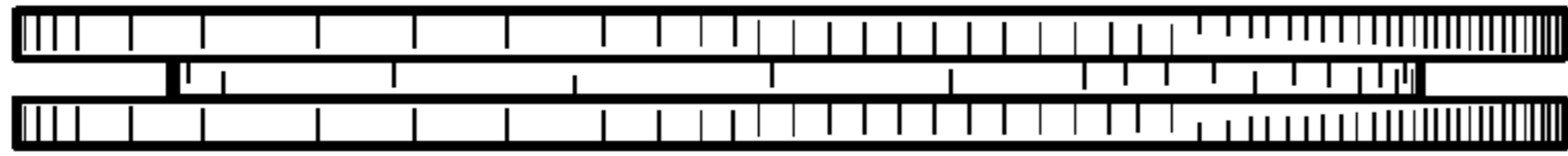


FIG. 3

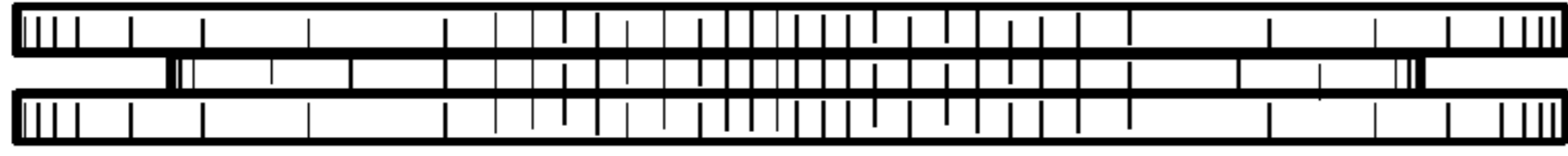


FIG. 4

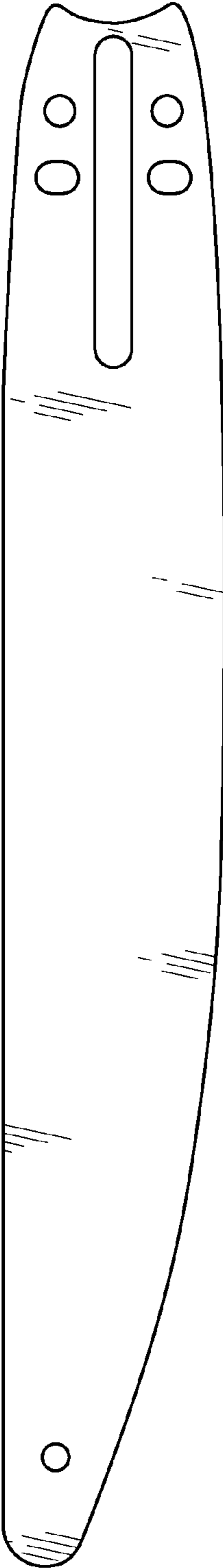


FIG. 5



FIG. 6



FIG. 7