



US00D634999S

(12) **United States Design Patent**  
**Yamamoto et al.**

(10) **Patent No.:** **US D634,999 S**  
(45) **Date of Patent:** **\*\* Mar. 29, 2011**

(54) **PORTABLE ELECTRIC CIRCULAR SAW**

(75) Inventors: **Yuji Yamamoto**, Anjo (JP); **Hiroto Inayoshi**, Anjo (JP); **Shuji Aoyama**, Anjo (JP)

(73) Assignee: **Makita Corporation**, Anjo-shi (JP)

(\*\*) Term: **14 Years**

(21) Appl. No.: **29/361,673**

(22) Filed: **May 13, 2010**

(30) **Foreign Application Priority Data**

Dec. 2, 2009 (JP) ..... 2009-028076

(51) **LOC (9) Cl.** ..... **08-03**

(52) **U.S. Cl.** ..... **D8/66**

(58) **Field of Classification Search** ..... D8/69,  
D8/68, 67, 66, 64, 61, 70; 83/698.41, 747,  
83/166.3, 374, 373, 375, 376, 391, 377, 390,  
83/388, 389; 125/13.01; 144/218; D21/532  
See application file for complete search history.

(56) **References Cited**

**U.S. PATENT DOCUMENTS**

D177,063	S	*	3/1956	Nesbitt	.....	D8/61
D266,222	S	*	9/1982	Buscher	.....	D8/61
D282,142	S	*	1/1986	Siravo	.....	D8/66
D303,346	S	*	9/1989	Ogawa	.....	D8/61
4,976,034	A	*	12/1990	Whitman	.....	30/370
D328,842	S	*	8/1992	Whitman	.....	D8/64

D363,656	S		10/1995	Gierke		
D375,439	S	*	11/1996	Niwa et al.	.....	D8/66
D401,827	S	*	12/1998	Lui	.....	D8/66
6,161,293	A	*	12/2000	Watson	.....	30/377
D519,810	S	*	5/2006	Chu	.....	D8/70
D559,644	S		1/2008	Kuroyanagi et al.		
D586,636	S	*	2/2009	Aglassinger	.....	D8/66

\* cited by examiner

*Primary Examiner* — Austin Murphy

(74) *Attorney, Agent, or Firm* — Oliff & Berridge, PLC

(57) **CLAIM**

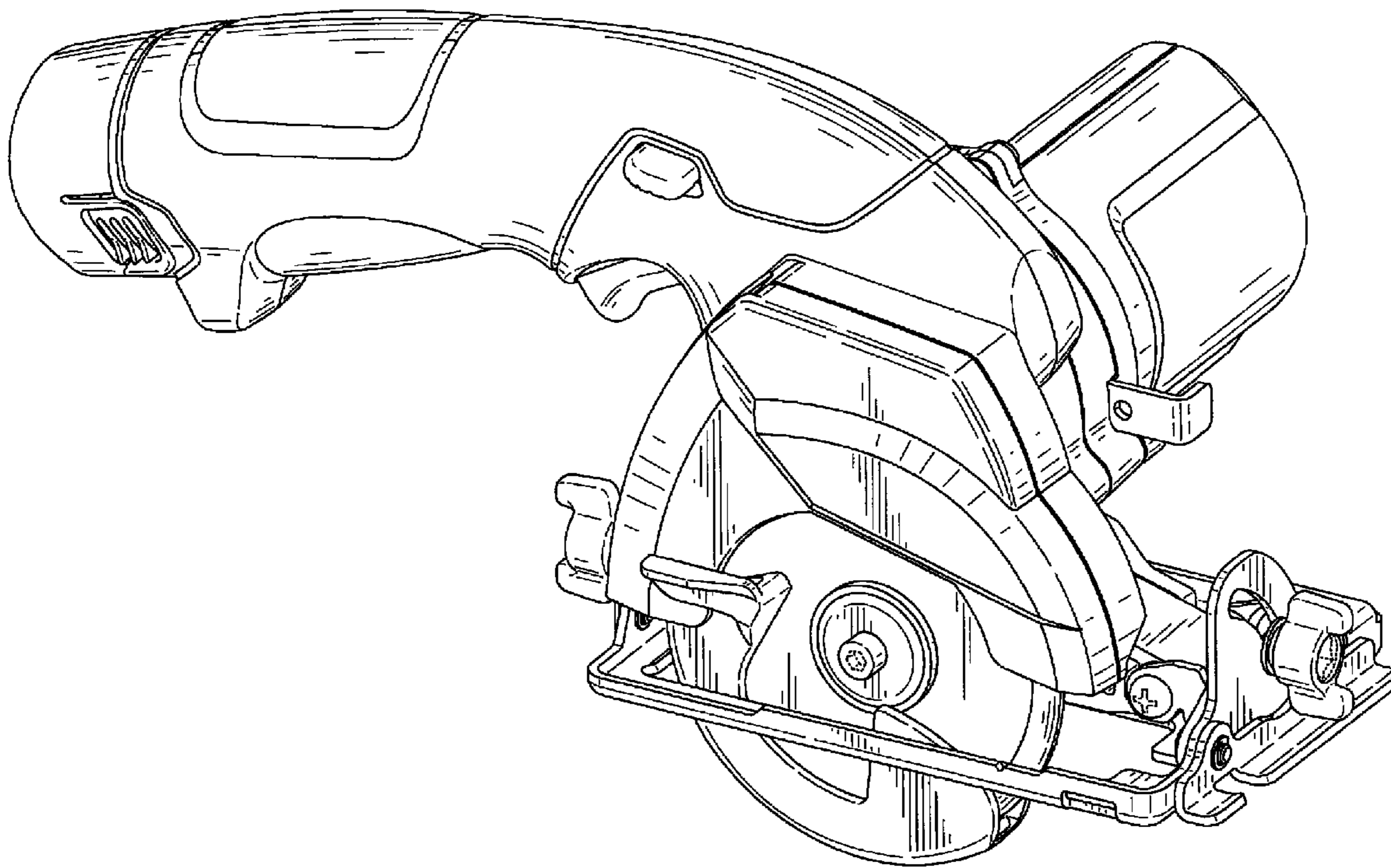
The ornamental design for portable electric circular saw, as shown and described.

**DESCRIPTION**

FIG. 1 is a perspective view of the front, top and right side of portable electric circular saw showing our new design; FIG. 2 is a front view thereof; FIG. 3 is a rear view thereof; FIG. 4 is a top plan view thereof; FIG. 5 is a bottom view thereof; FIG. 6 is a left side view thereof; and, FIG. 7 is a right side view thereof.

The broken lines depict unclaimed portions of the portable electric circular saw only and form no part of the claimed design.

**1 Claim, 7 Drawing Sheets**



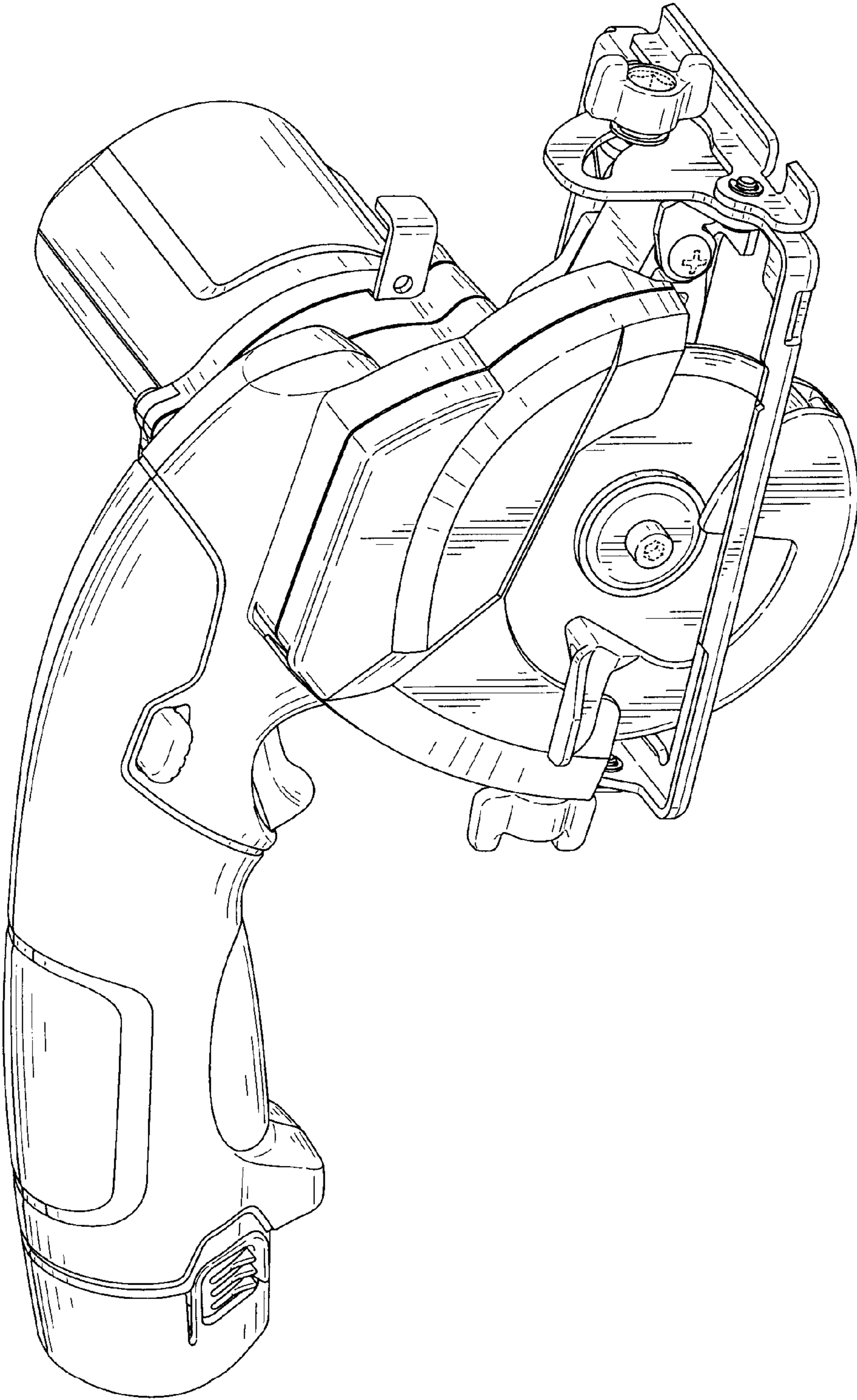


FIG. 1

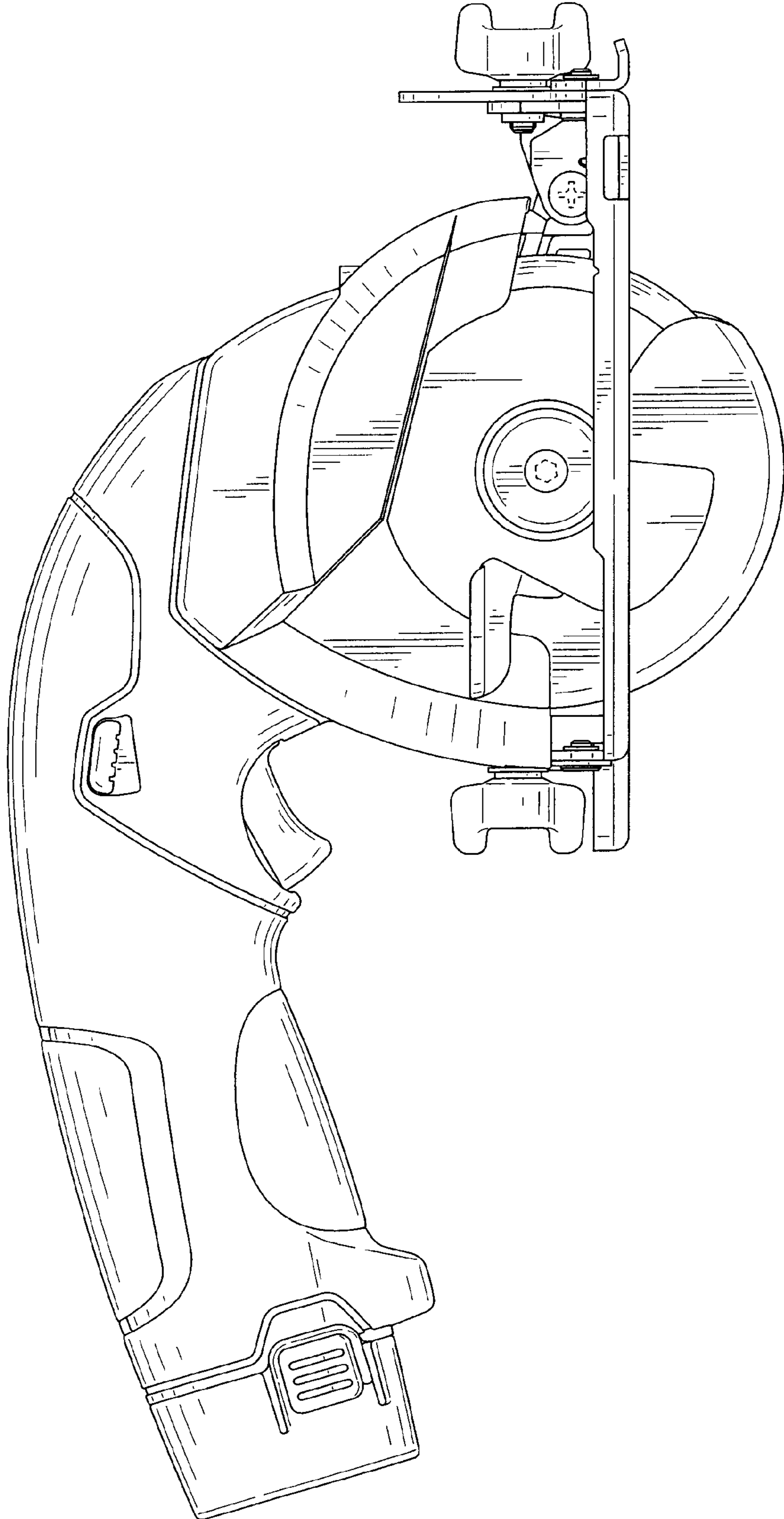


FIG. 2

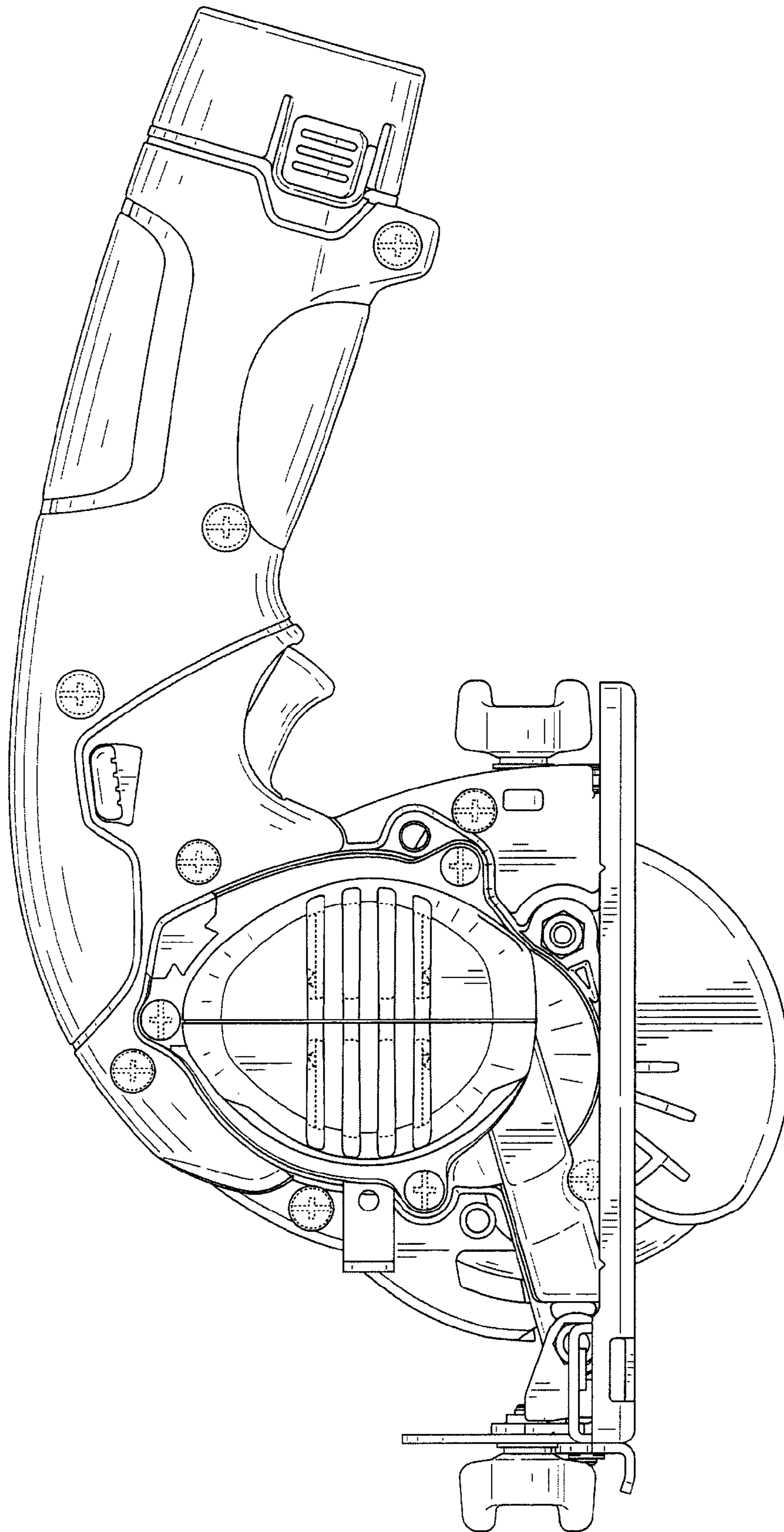


FIG. 3

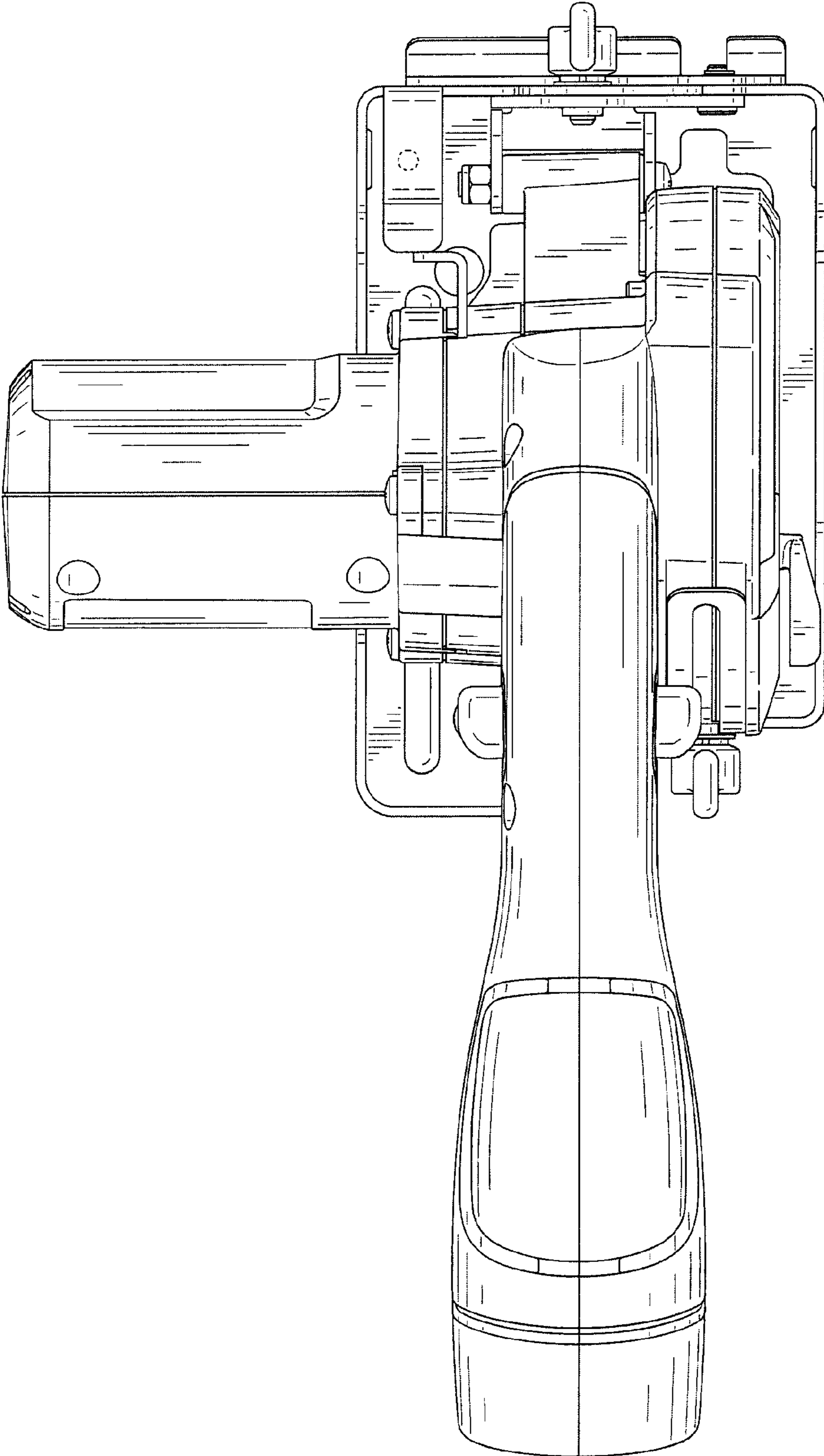


FIG. 4

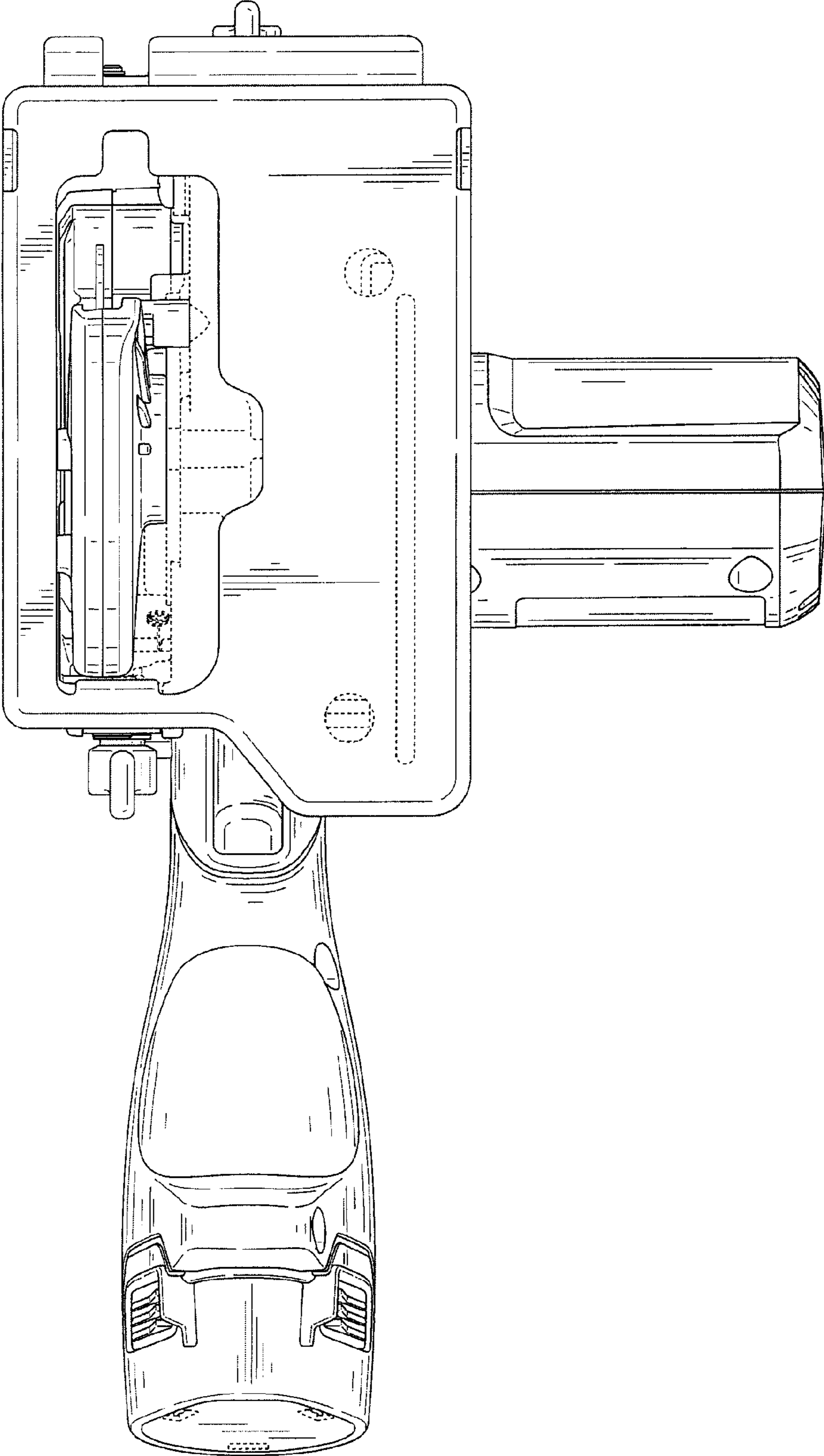


FIG. 5

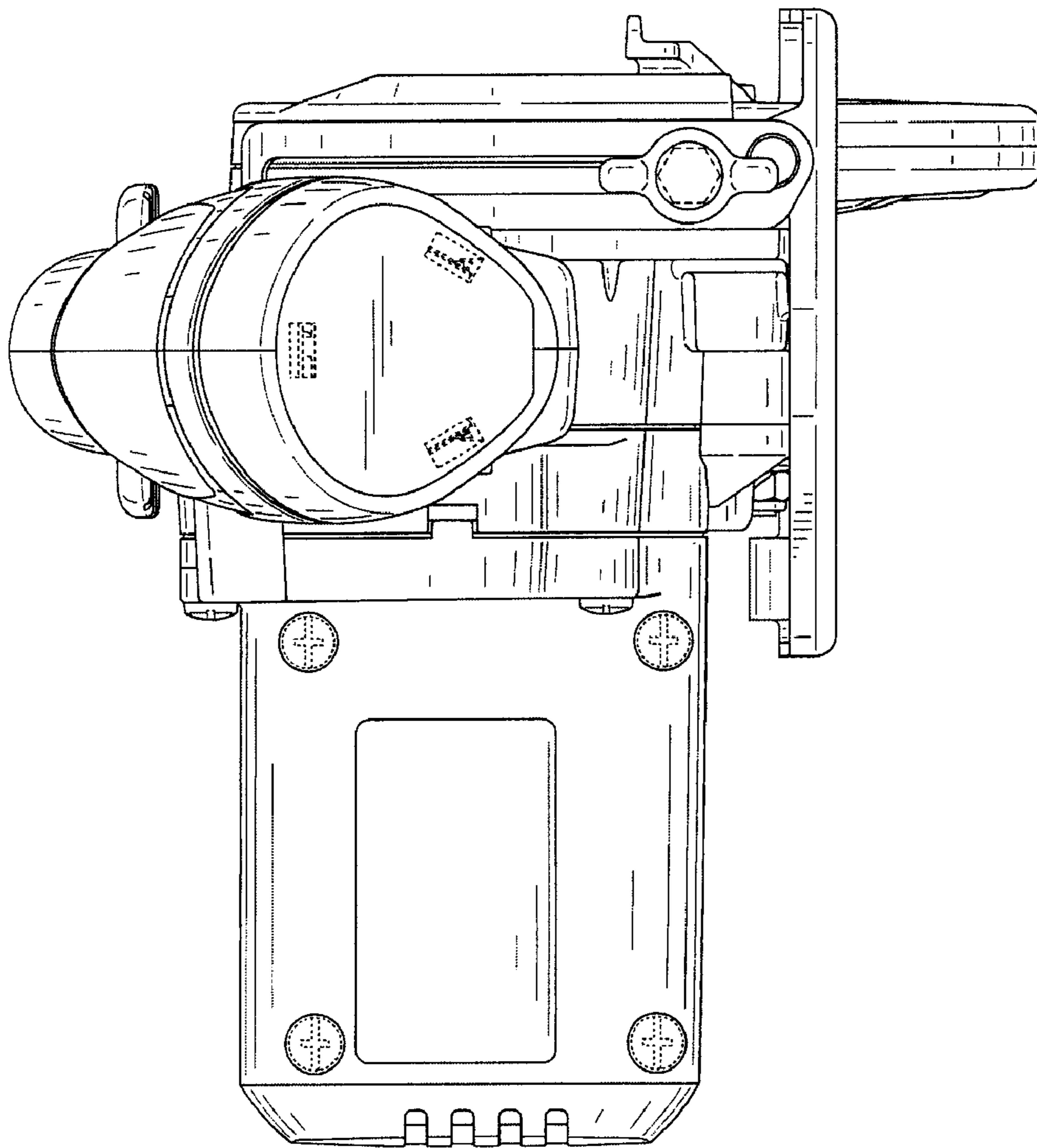


FIG. 6

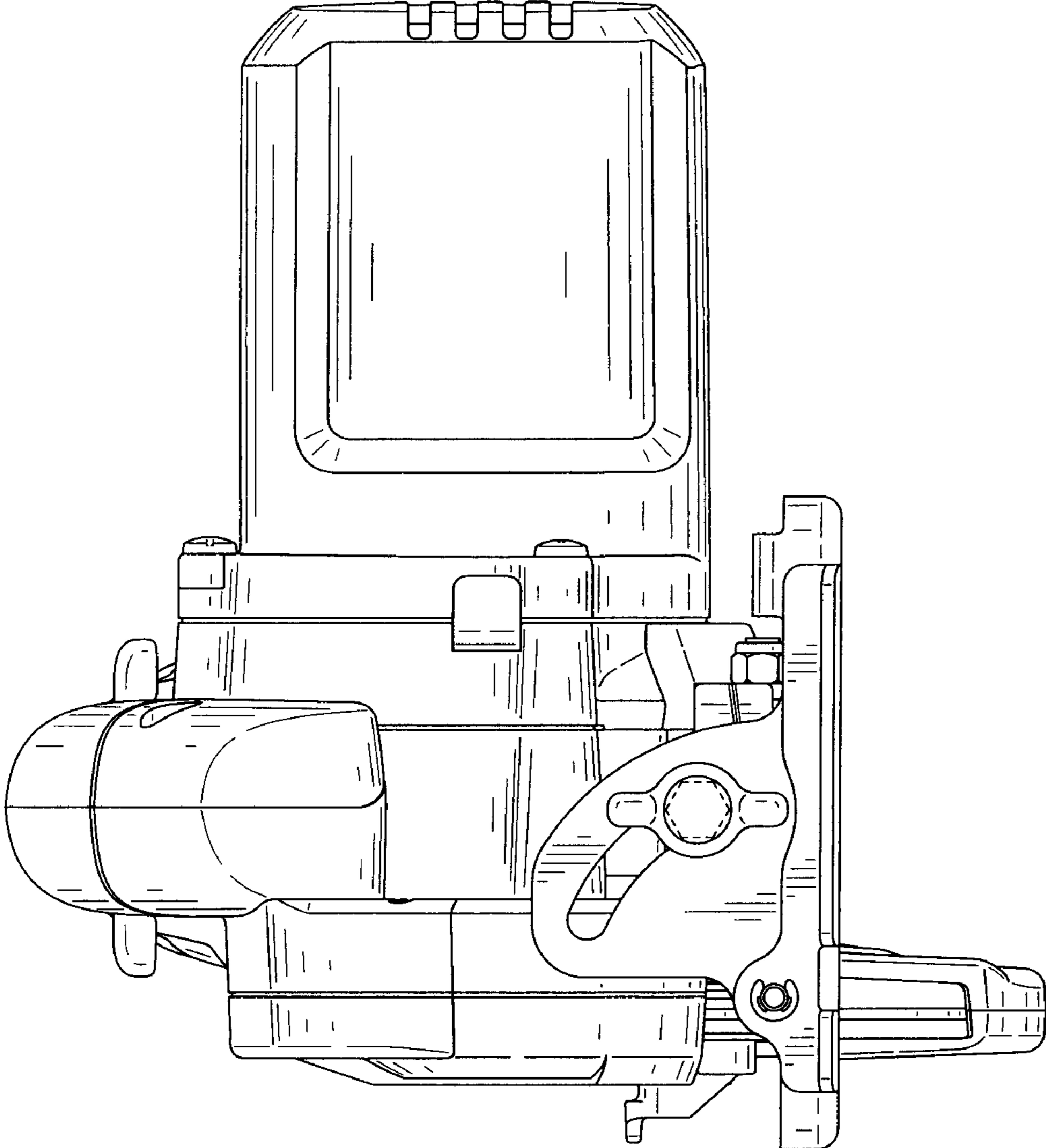


FIG. 7