



US00D634998S

(12) **United States Design Patent**
Garfield et al.

(10) **Patent No.:** **US D634,998 S**

(45) **Date of Patent:** **** Mar. 29, 2011**

(54) **ROTARY HAND TOOL**

(75) Inventors: **Alexander Garfield**, Vernon Hills, IL (US); **Charles Hulsey**, Naperville, IL (US); **Gavin Jerome**, Park Ridge, IL (US); **Walter Bernardi**, Highland Park, IL (US); **Scott Micoley**, Cederburg, WI (US); **Dale Selsor Di Iulio**, Saukville, WI (US); **Charles Lasky**, Grafton, WI (US)

(73) Assignee: **Robert Bosch Tool Corporation**, Broadview, IL (US)

(**) Term: **14 Years**

(21) Appl. No.: **29/375,608**

(22) Filed: **Sep. 24, 2010**

(51) **LOC (9) Cl.** **08-01**

(52) **U.S. Cl.** **D8/61**

(58) **Field of Classification Search** D8/61, D8/67, 70, 107, 64; 409/182, 180, 134, 132, 409/131; 144/48.6, 252.1, 154.5, 136.95, 144/153; 279/48; 173/29

See application file for complete search history.

(56) **References Cited**

U.S. PATENT DOCUMENTS

D391,820 S *	3/1998	Bunyea	D8/61
D427,870 S *	7/2000	Heun	D8/61
D439,122 S *	3/2001	Adler et al.	D8/61
D470,374 S *	2/2003	Murray	D8/61

D474,086 S *	5/2003	Heun	D8/61
D556,000 S *	11/2007	Singh et al.	D8/61
D558,015 S *	12/2007	Aglassinger	D8/61
D565,916 S *	4/2008	Chen	D8/61
D569,205 S *	5/2008	Lai	D8/61
D586,195 S *	2/2009	Okuda	D8/61
D618,079 S *	6/2010	Blythe et al.	D8/61

* cited by examiner

Primary Examiner — Austin Murphy

(74) *Attorney, Agent, or Firm* — Greer, Burns & Crain, Ltd.

(57) **CLAIM**

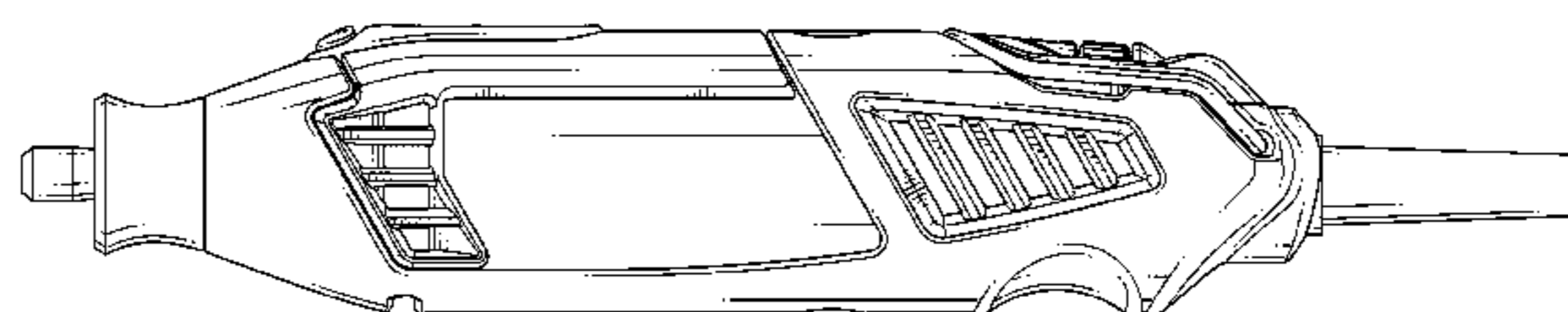
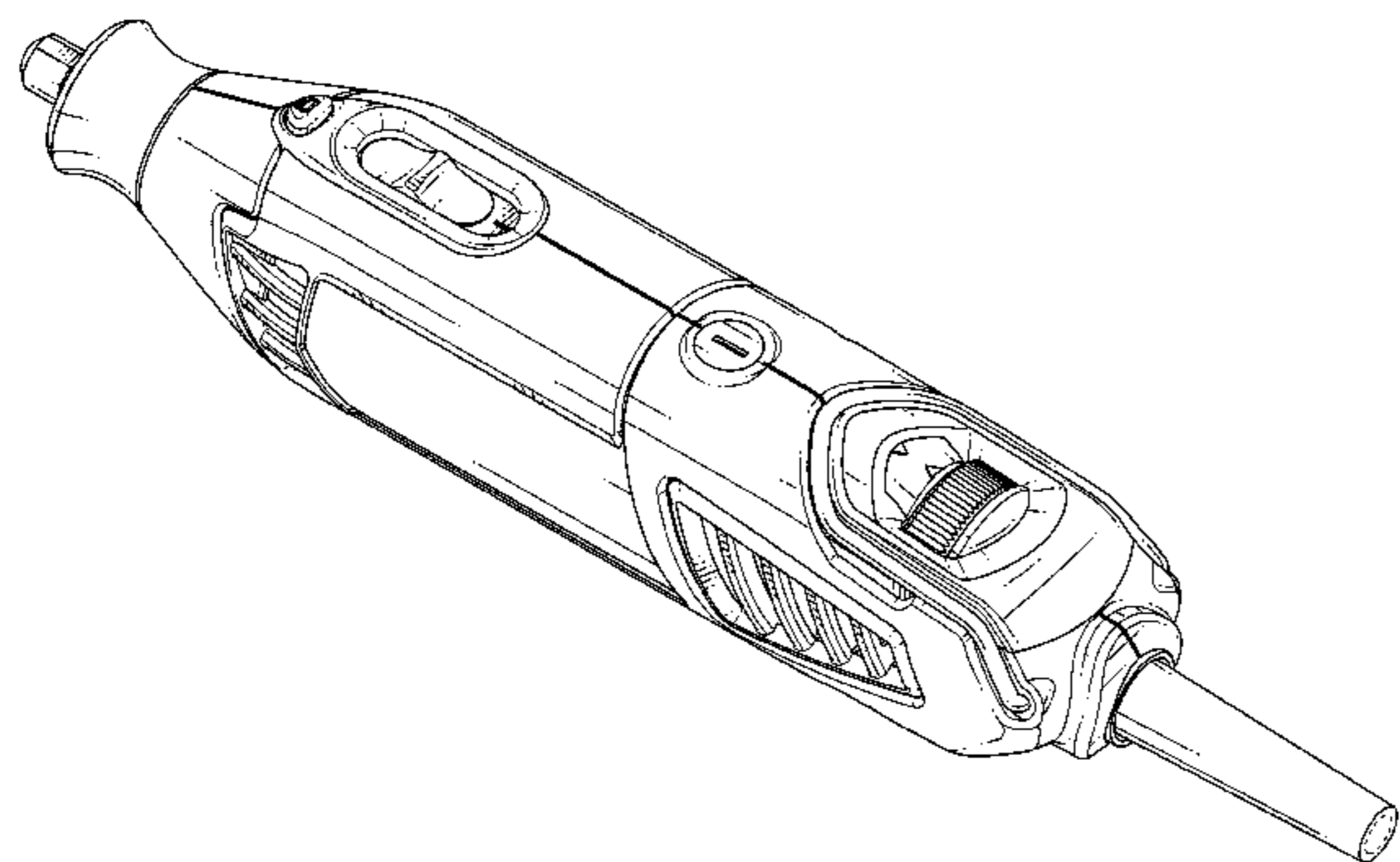
The ornamental design for a rotary hand tool, as shown and described.

DESCRIPTION

FIG. 1 is a top left isomeric view of a rotary hand tool; FIG. 2 is a left side view of a rotary hand tool shown in FIG. 1; FIG. 3 is a right plan view of the rotary hand tool shown in FIG. 1; FIG. 4 is a top plan view of the rotary hand tool shown in FIG. 1; FIG. 5 is a bottom plan view of the rotary hand tool shown in FIG. 1; FIG. 6 is a front plan view of the rotary hand tool shown in FIG. 1; and, FIG. 7 is a rear plan view of the rotary hand tool shown in FIG. 1.

The broken lines shown in the drawings represent portions of the rotary hand tool that form no part of the claimed design.

1 Claim, 4 Drawing Sheets



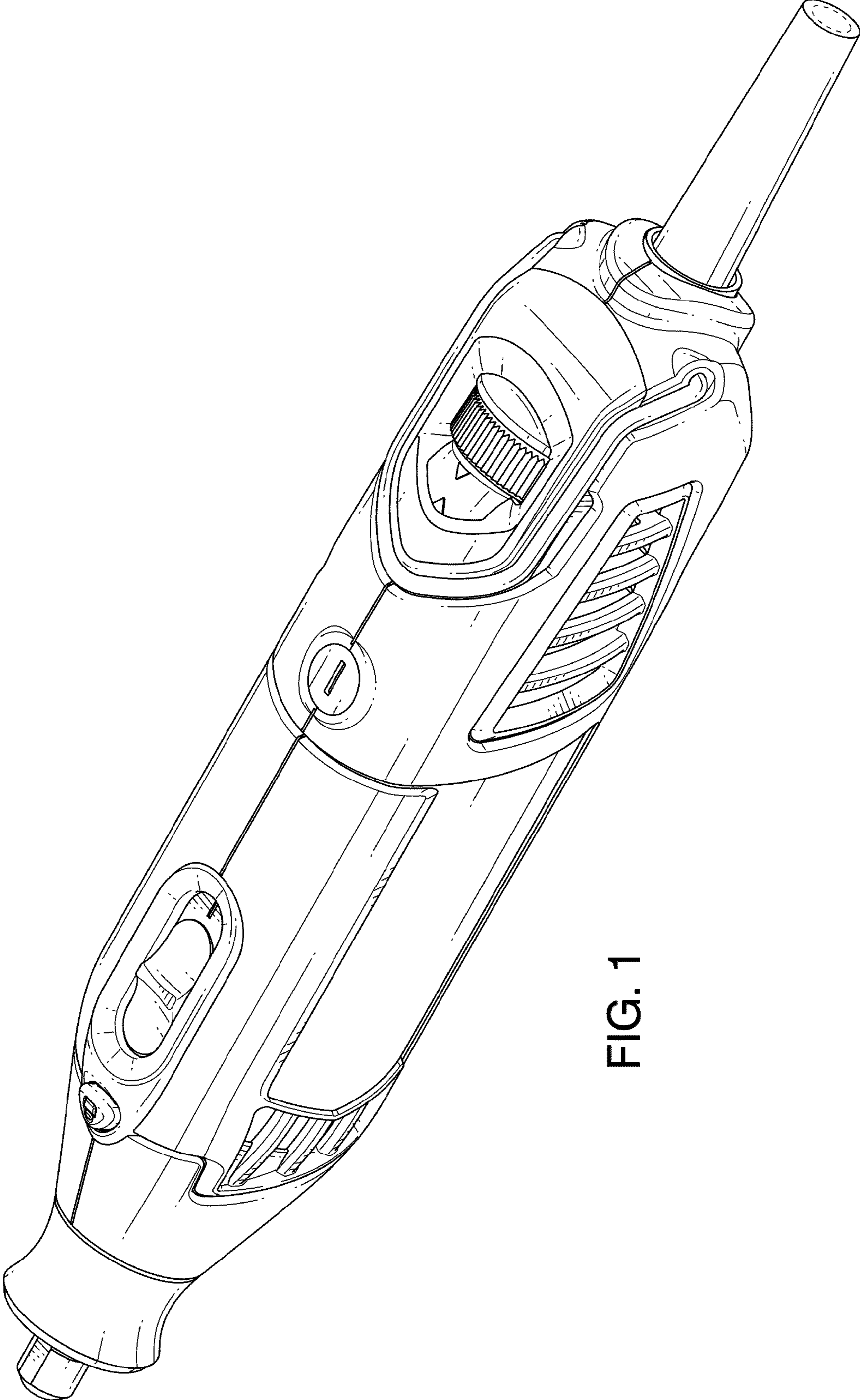


FIG. 1

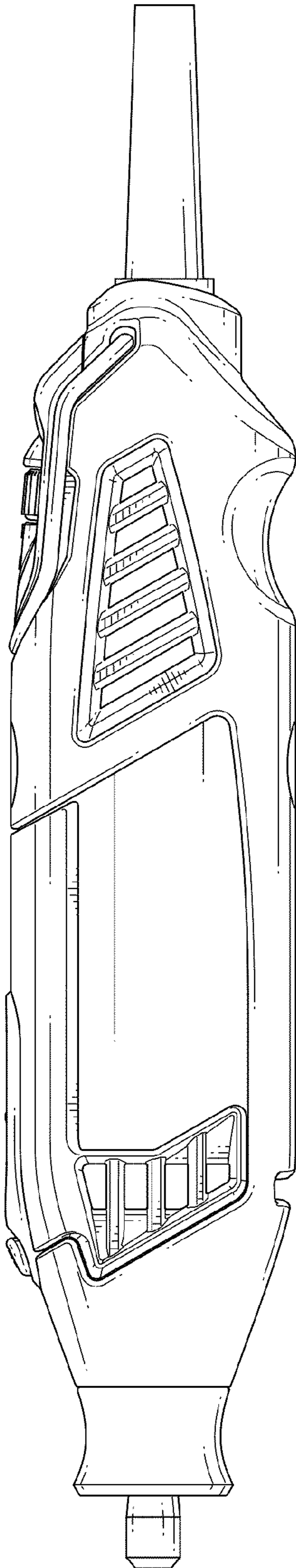


FIG. 2

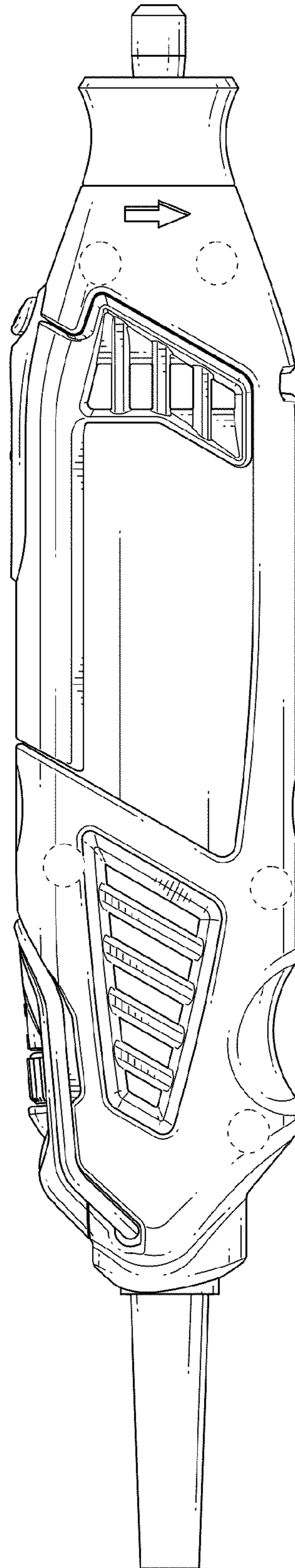


FIG. 3

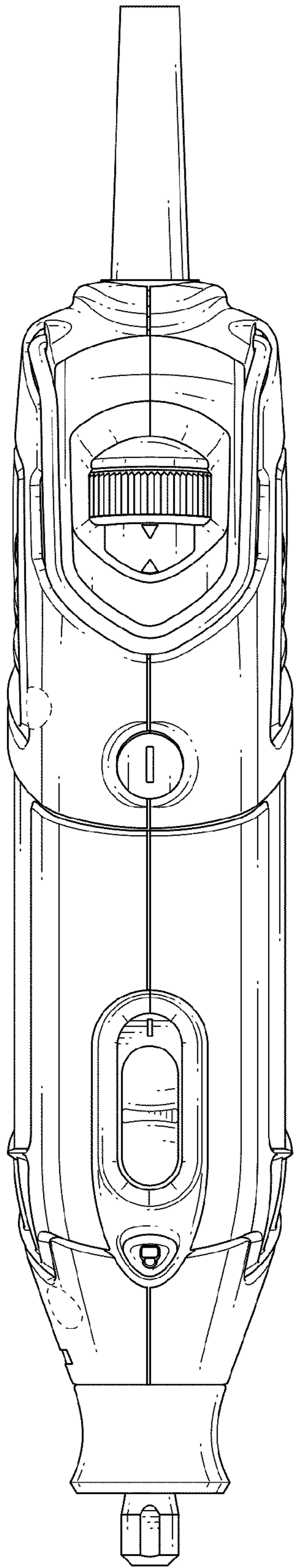


FIG. 4

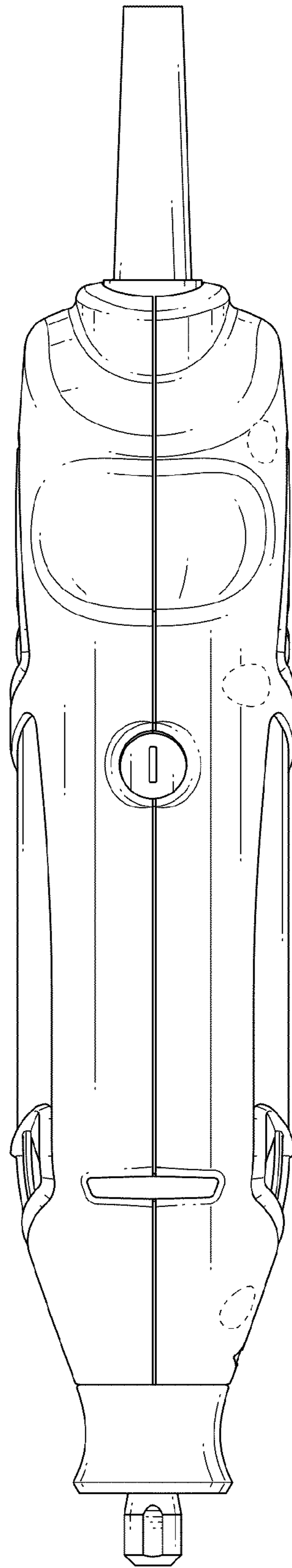


FIG. 5

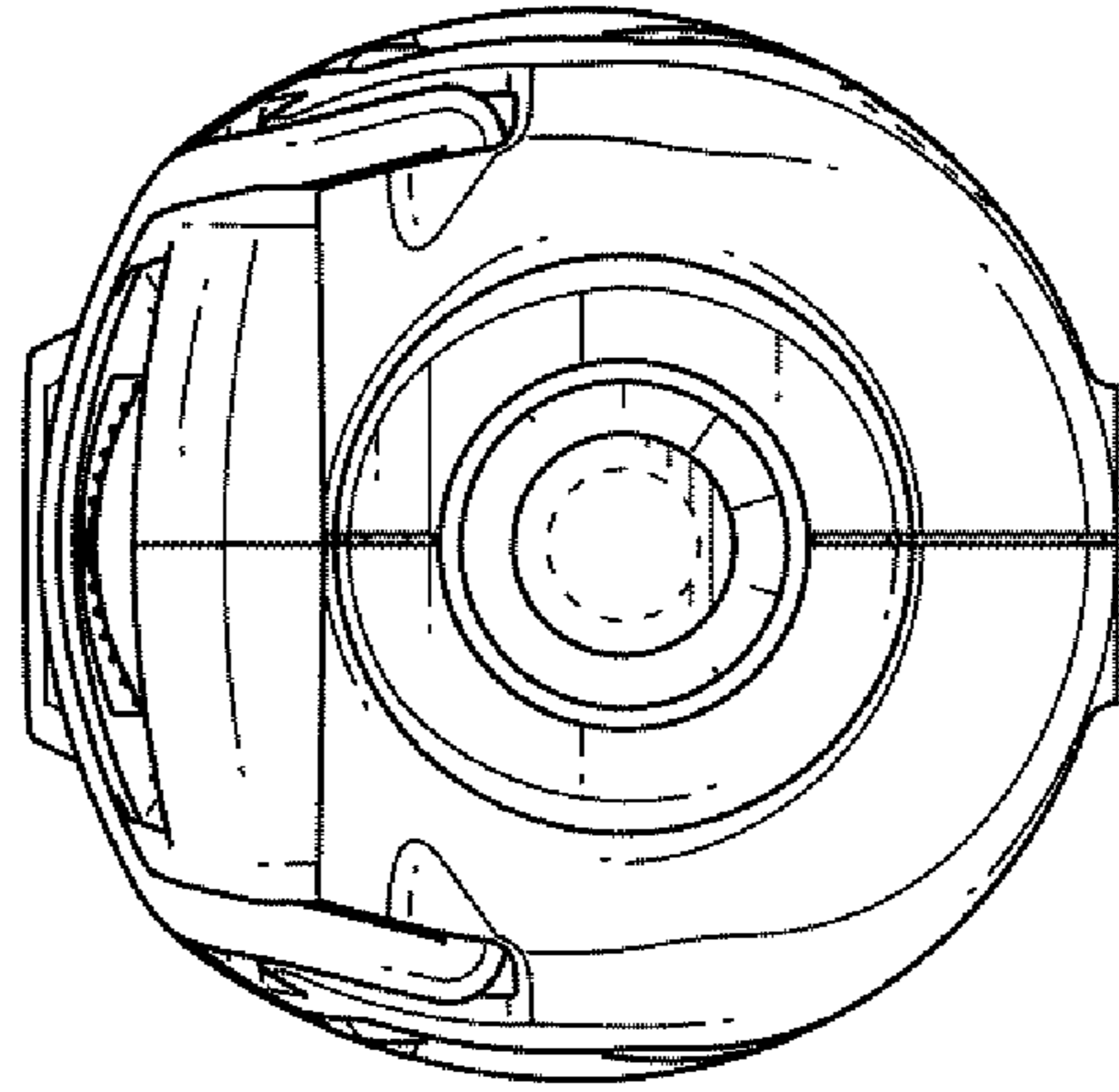


FIG. 7

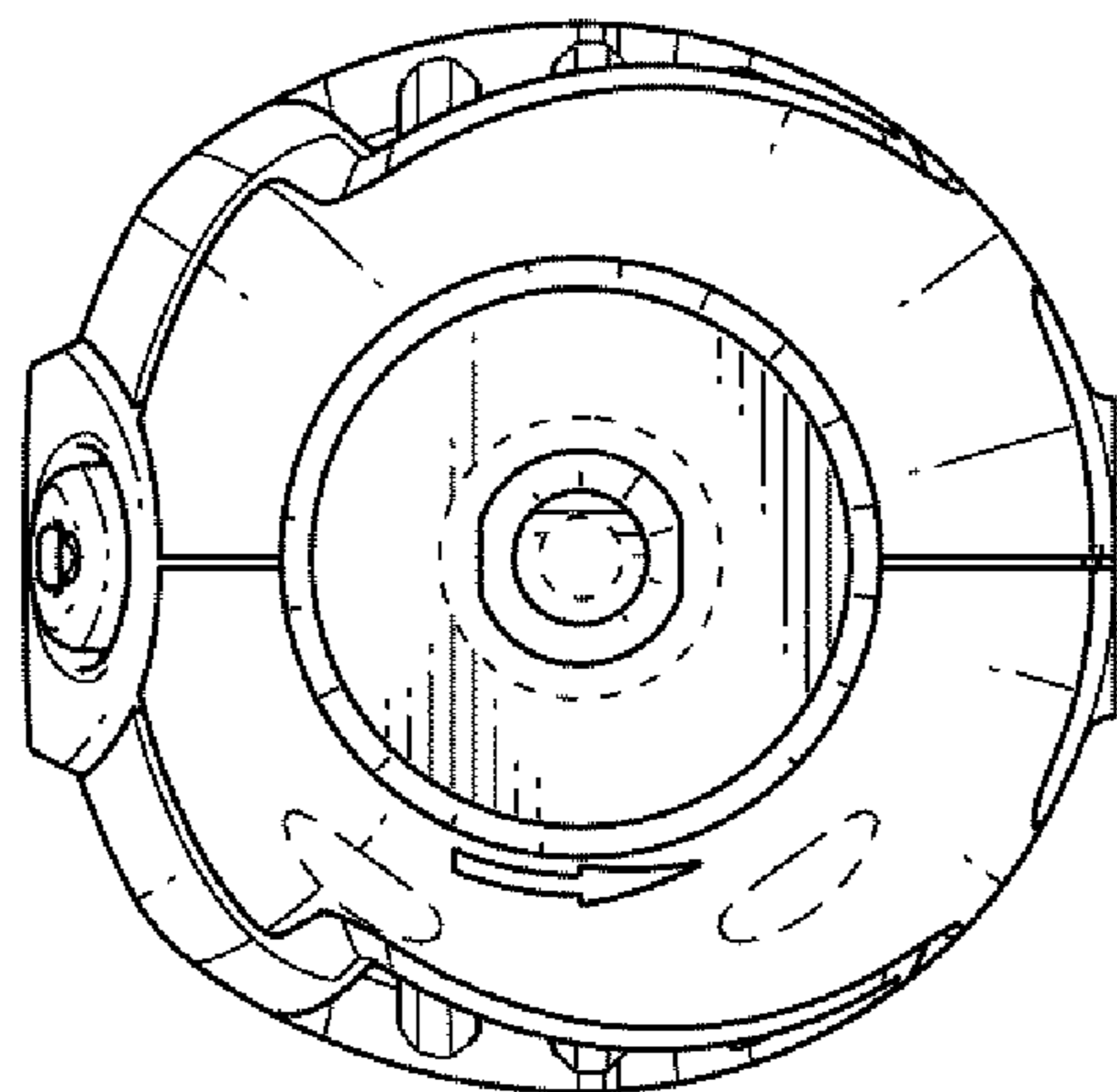


FIG. 6