



US00D634997S

(12) **United States Design Patent**
Mazurek

(10) **Patent No.:** **US D634,997 S**
(45) **Date of Patent:** **** Mar. 29, 2011**

(54) **CAULKING CARTRIDGE HAVING A SQUARE CROSS SECTION AND CO-OPERATING GUN FOR USE THERE WITH**

(76) Inventor: **David W. Mazurek**, Grand Rapids, MI (US)

(**) Term: **14 Years**

(21) Appl. No.: **29/349,275**

(22) Filed: **Mar. 22, 2010**

(51) **LOC (9) Cl.** **08-05**

(52) **U.S. Cl.** **D8/14.1**

(58) **Field of Classification Search** D8/14.1;
222/92, 105, 145.1, 160, 325-327, 386, 391,
222/567; 74/141.5

See application file for complete search history.

(56) **References Cited**

U.S. PATENT DOCUMENTS

3,187,951	A	6/1965	Hardman et al.	
3,726,440	A	4/1973	Deeb	
3,997,085	A	12/1976	Lindquist	
D246,221	S *	11/1977	Cox	D8/14.1
5,181,636	A	1/1993	Anderson et al.	
5,482,189	A	1/1996	Dentler et al.	
5,553,754	A	9/1996	Dentler	
5,871,106	A	2/1999	Oksa et al.	
5,887,765	A	3/1999	Broesamle	
6,119,903	A *	9/2000	Vanmoor	222/327
D505,306	S *	5/2005	Gaddy	D8/14.1

* cited by examiner

Primary Examiner — Antoine D Davis

(74) *Attorney, Agent, or Firm* — Richard L. Miller

(57) **CLAIM**

The ornamental design for a caulking cartridge having a square cross section and co-operating gun for use there with, as shown and described.

DESCRIPTION

FIG. 1 is a perspective view of a caulking cartridge having a square cross section and co-operating gun for use there with showing my new design.

FIG. 2 is a perspective view of the co-operating caulking gun per se thereof;

FIG. 3 is a right side elevation view thereof, taken in the direction of arrow 3 in FIG. 2;

FIG. 4 is a top plan view thereof, taken in the direction of arrow 4 in FIG. 2;

FIG. 5 is a left side elevational view thereof, taken in the direction of arrow 5 in FIG. 2;

FIG. 6 is a bottom plan view thereof, taken in the direction of arrow 6 in FIG. 2;

FIG. 7 is a front elevational view thereof, taken in the direction of arrow 7 in FIG. 2;

FIG. 8 is a rear elevational view thereof, taken in the direction of arrow 8 in FIG. 2;

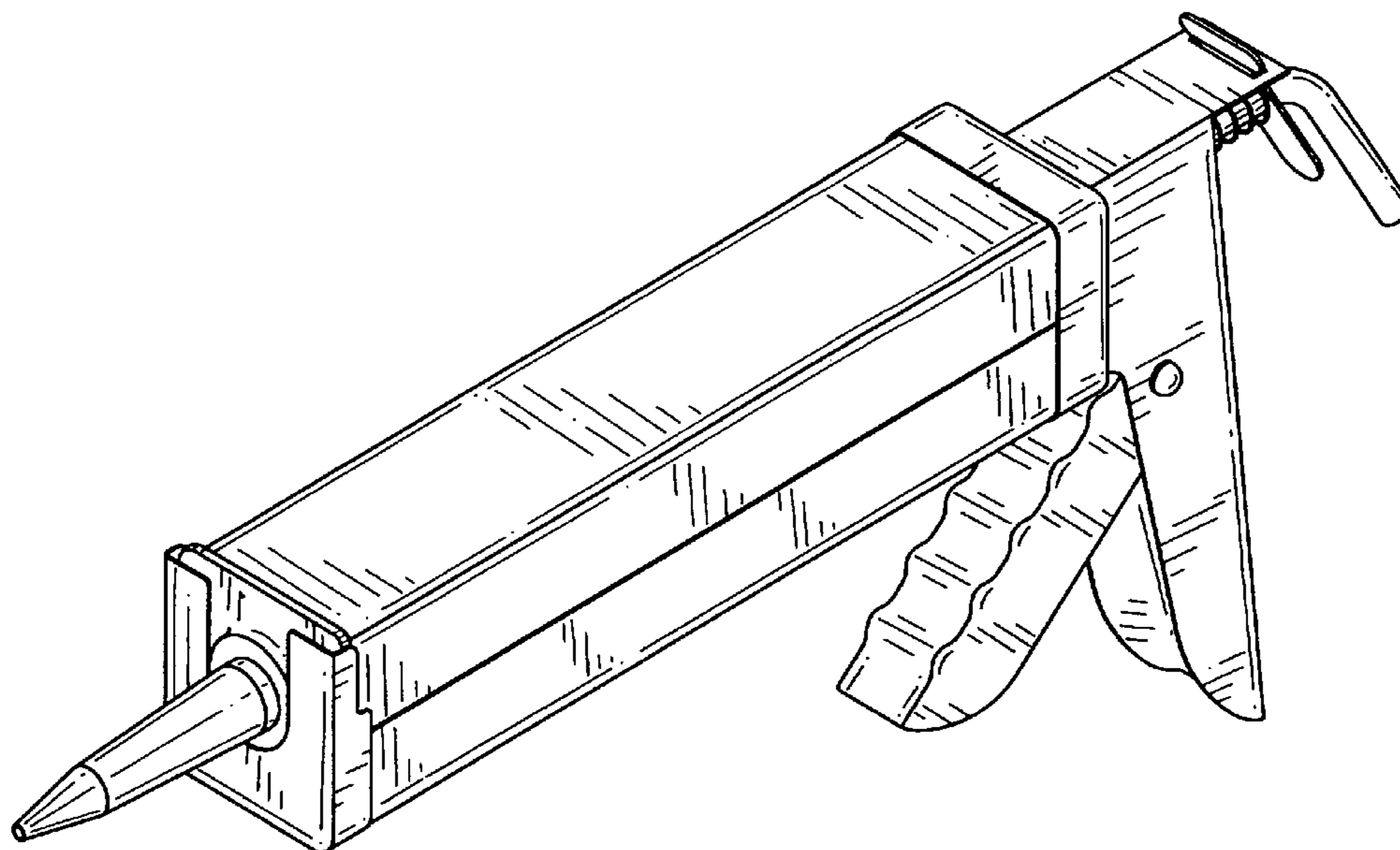
FIG. 9 is a perspective view of the co-operating caulking cartridge per se;

FIG. 10 is a side elevation view thereof, taken in the direction of arrow 10 in FIG. 9, it being understood that all side elevational views are identical;

FIG. 11 is a front elevational view thereof, taken in the direction of arrow 11 in FIG. 9; and,

FIG. 12 is a rear elevational view thereof, taken in the direction of arrow 12 in FIG. 9.

1 Claim, 5 Drawing Sheets



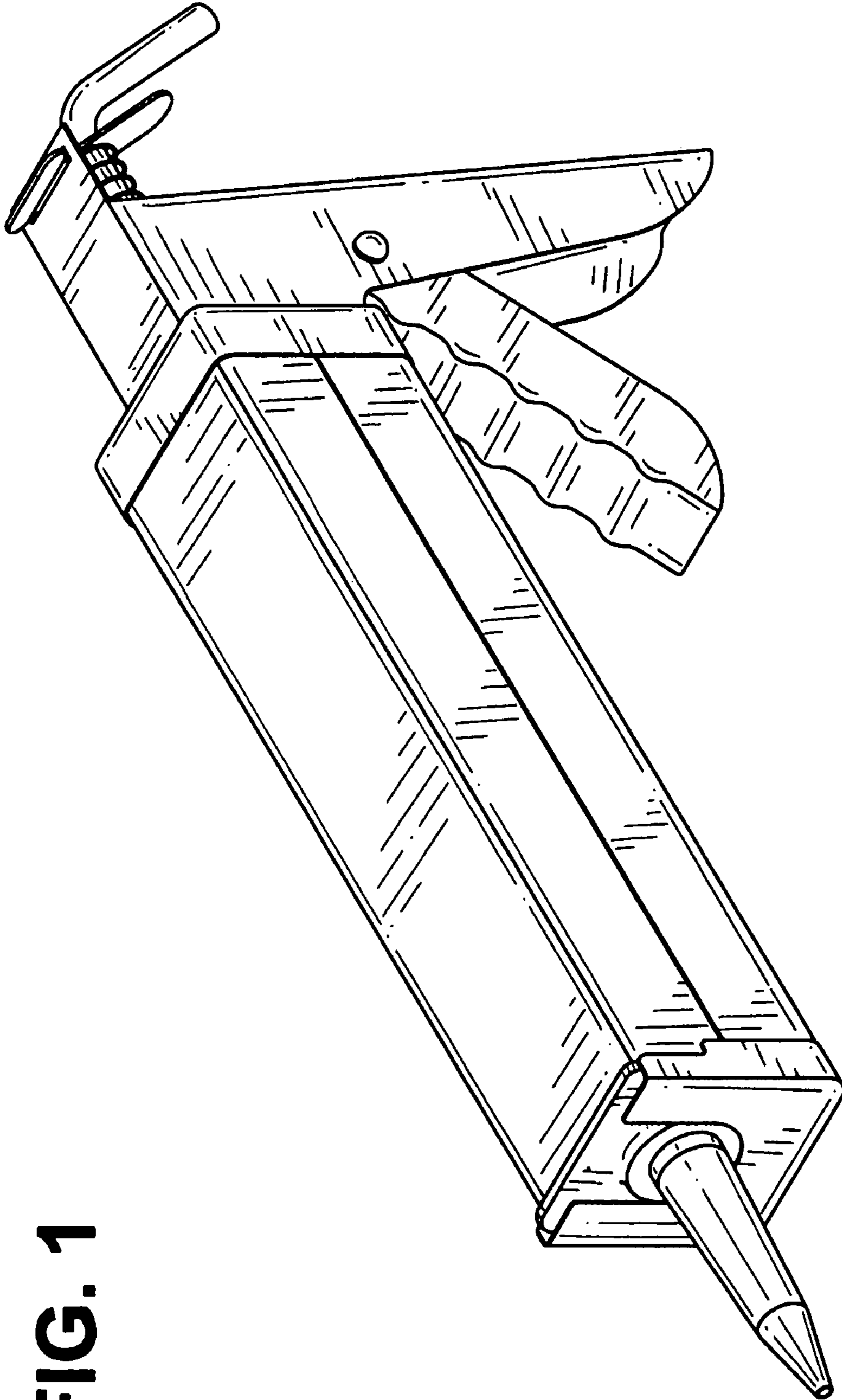


FIG. 1

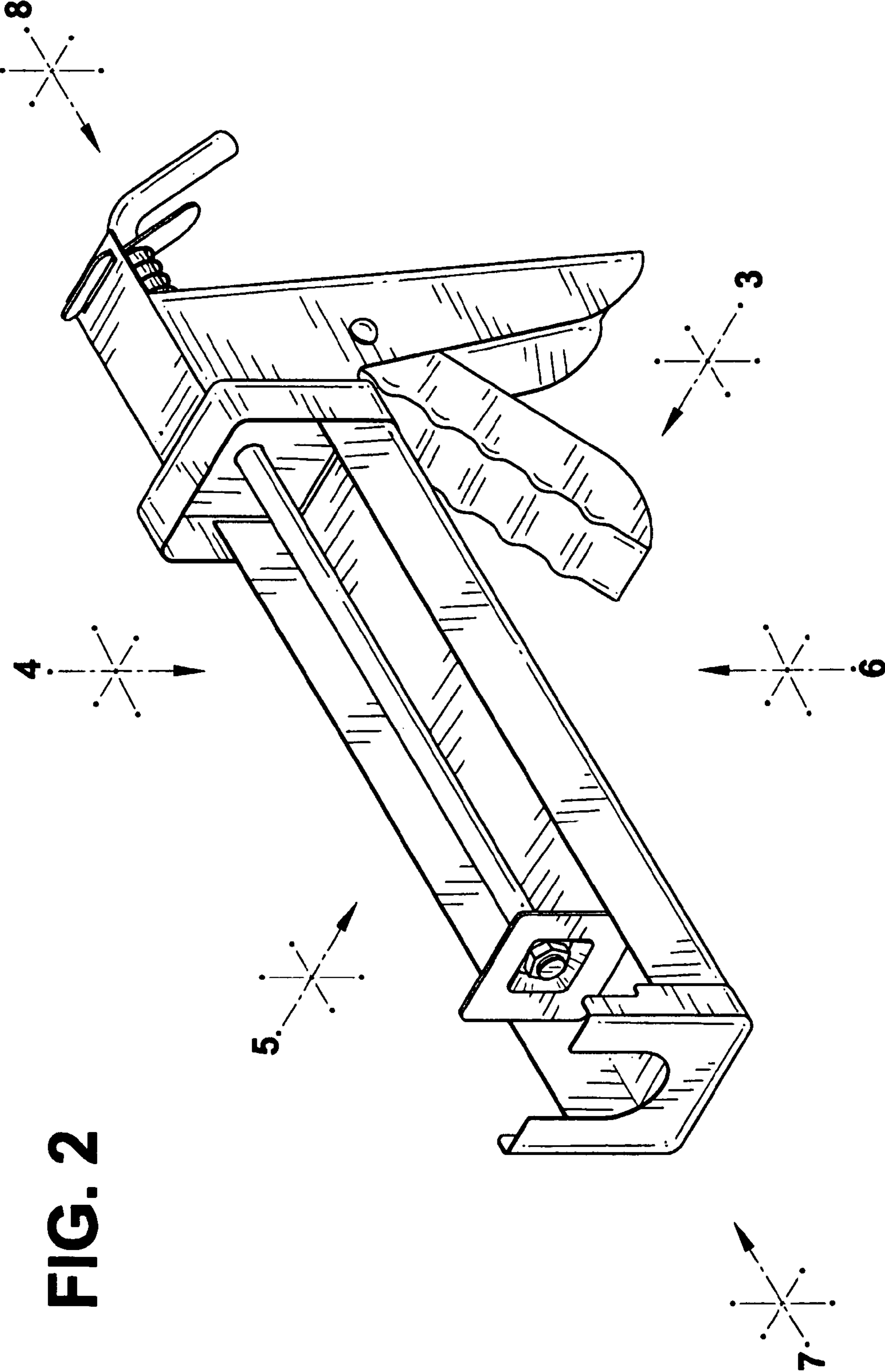


FIG. 2

FIG. 3

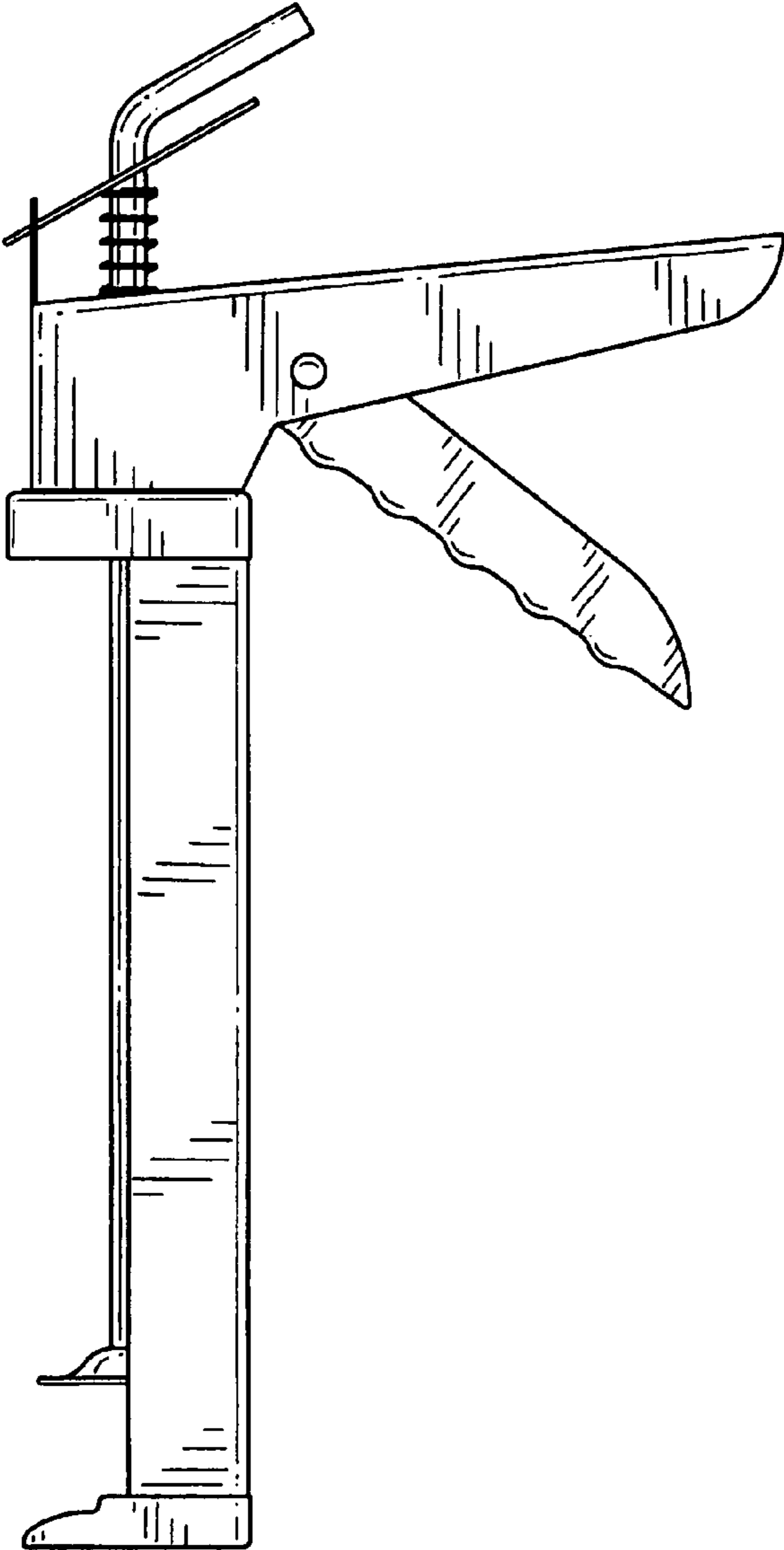


FIG. 7

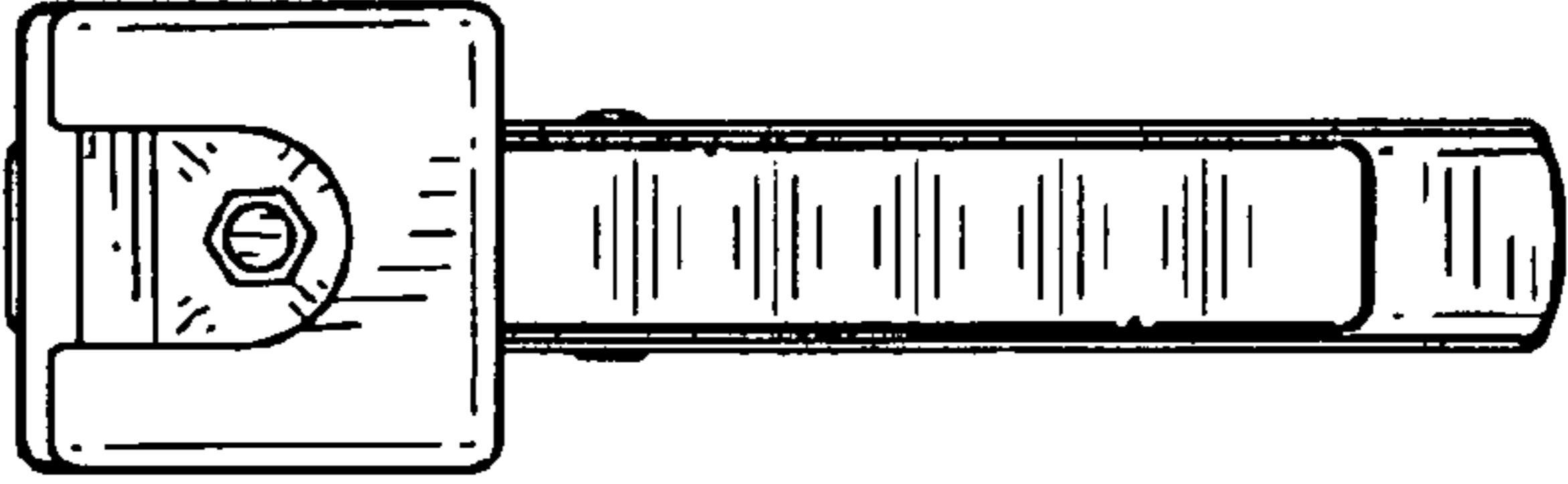


FIG. 4

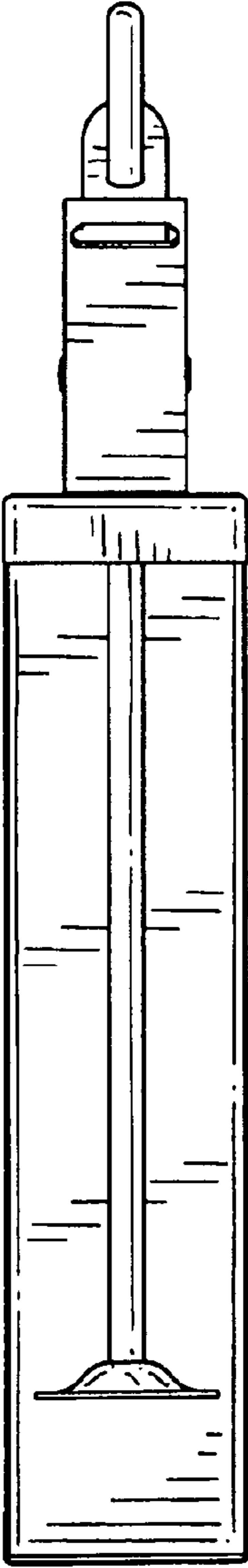


FIG. 5

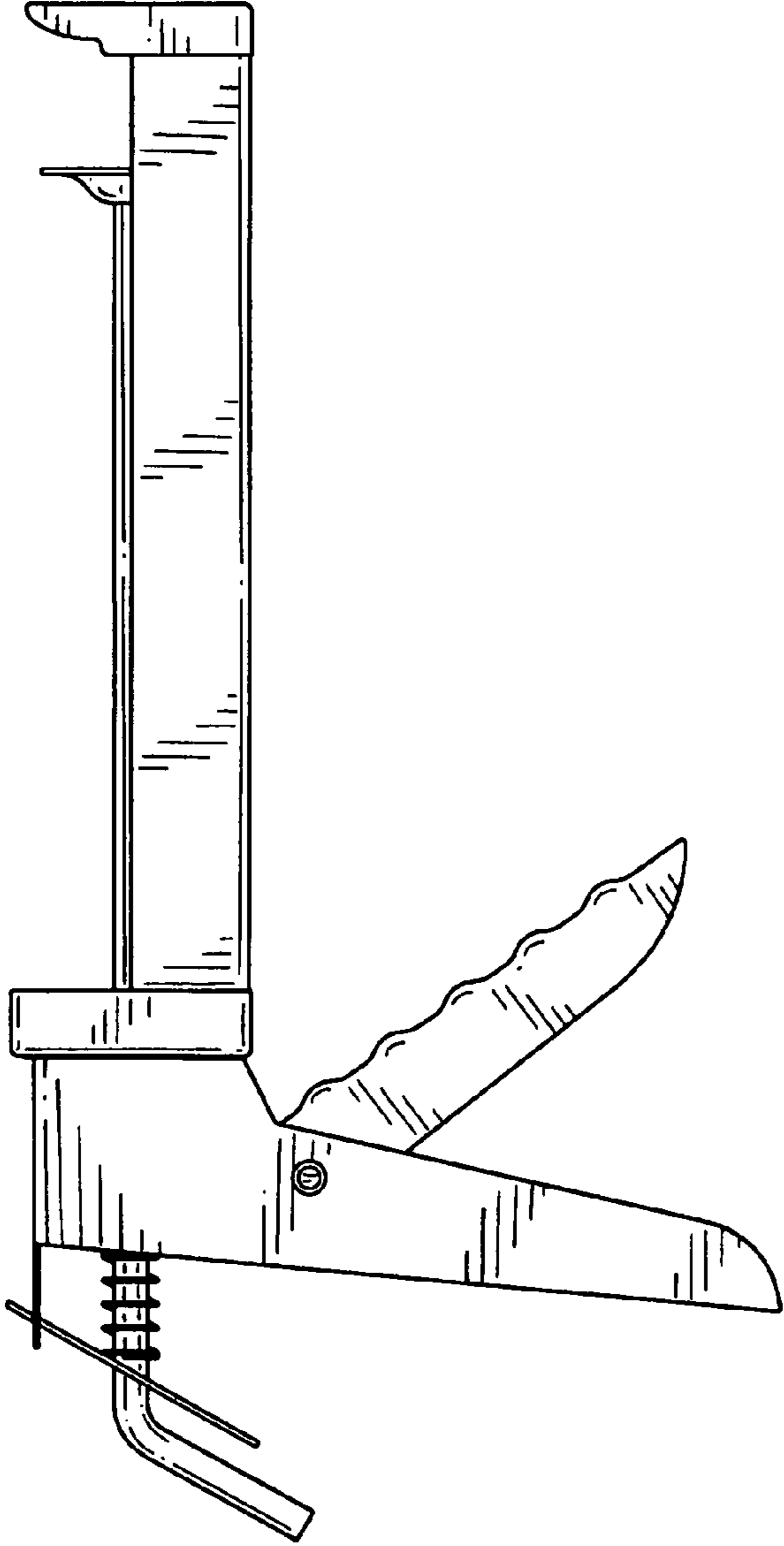


FIG. 8

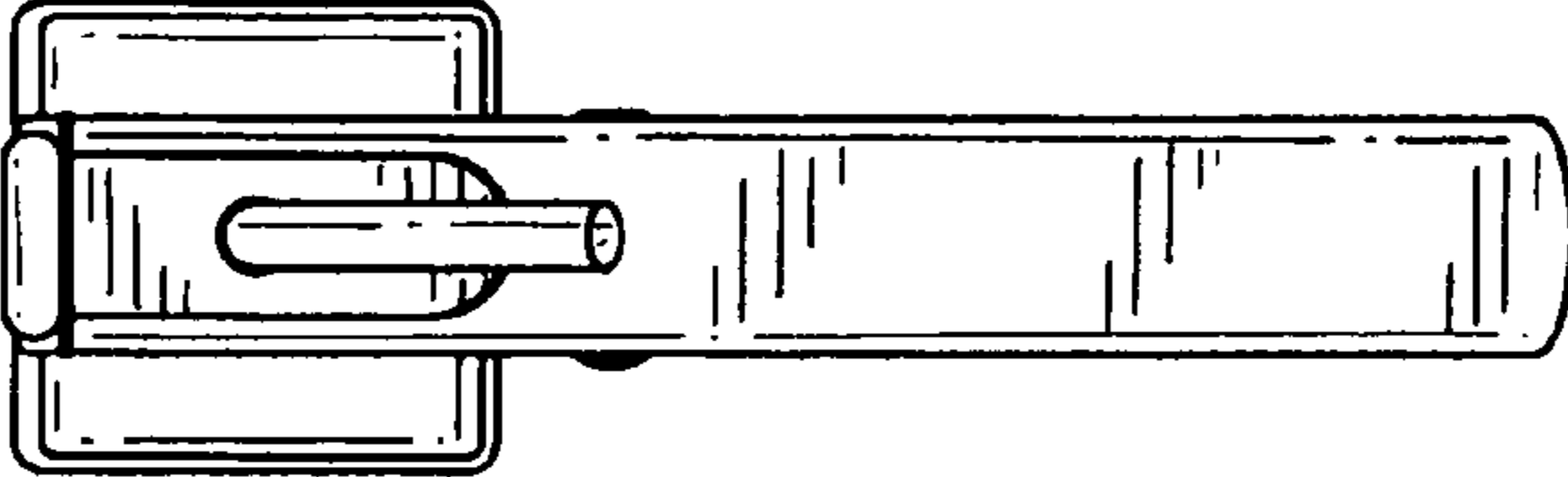
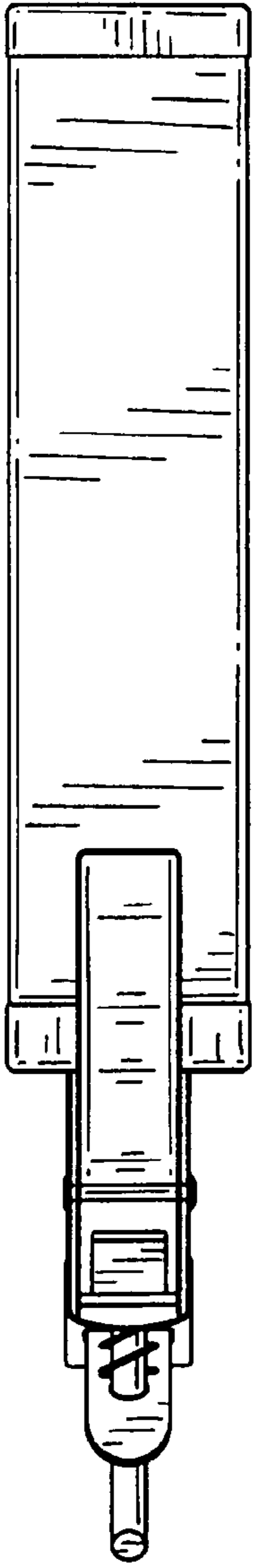


FIG. 6



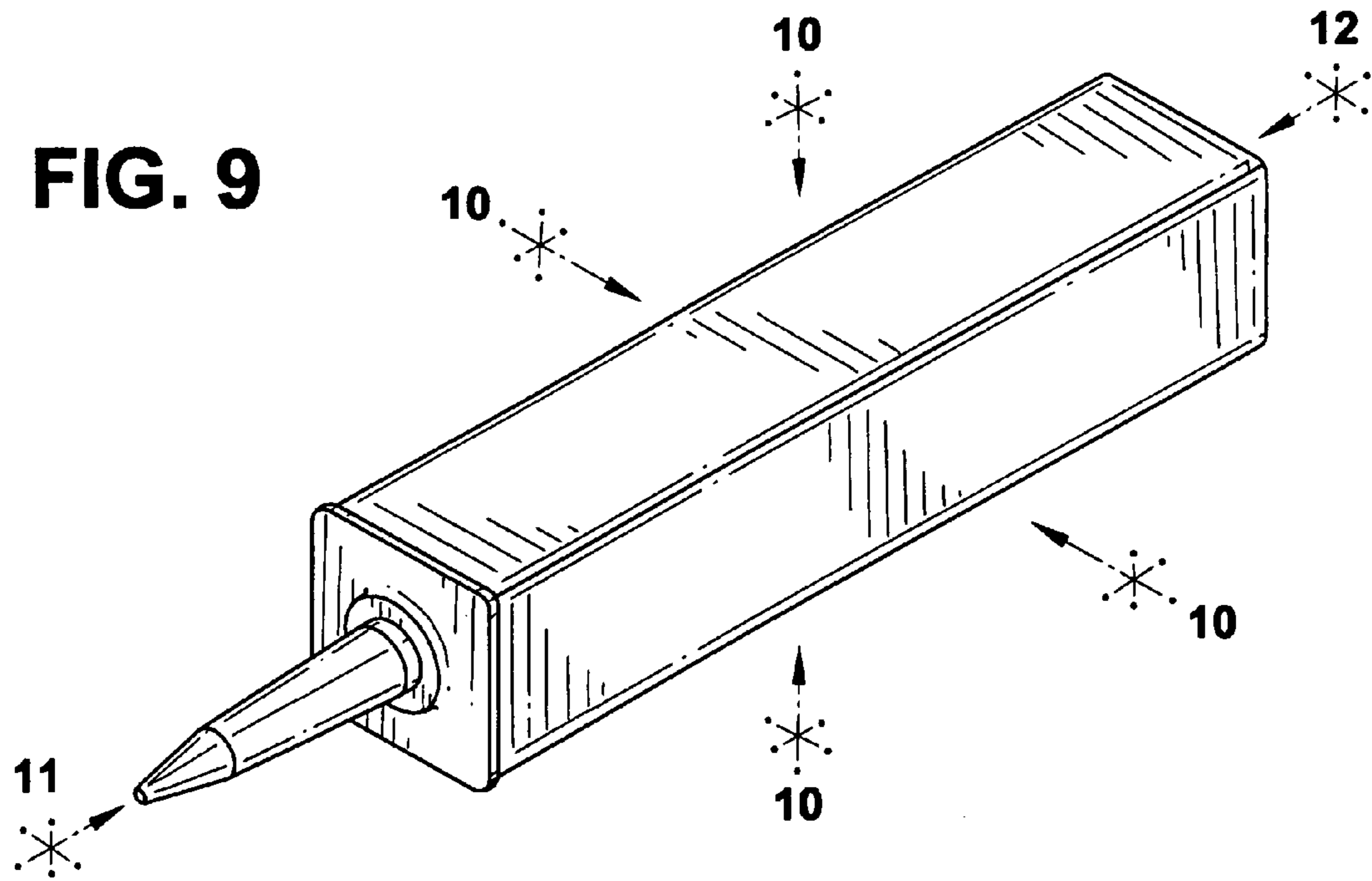


FIG. 10

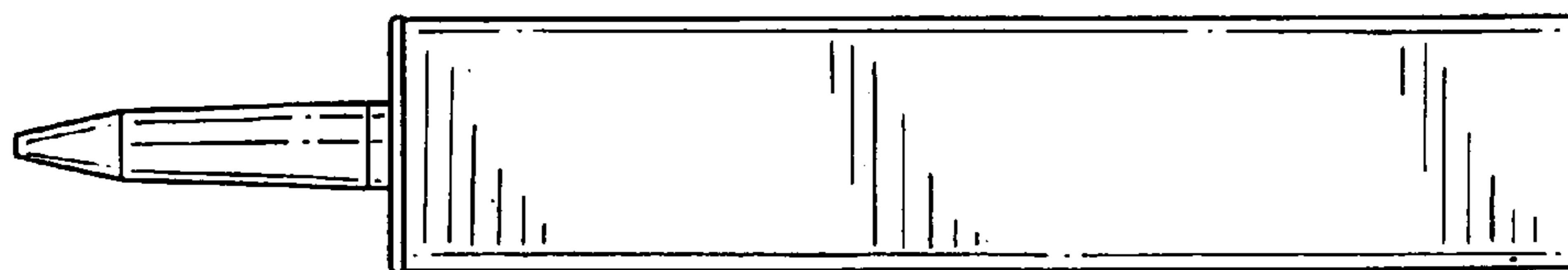


FIG. 11

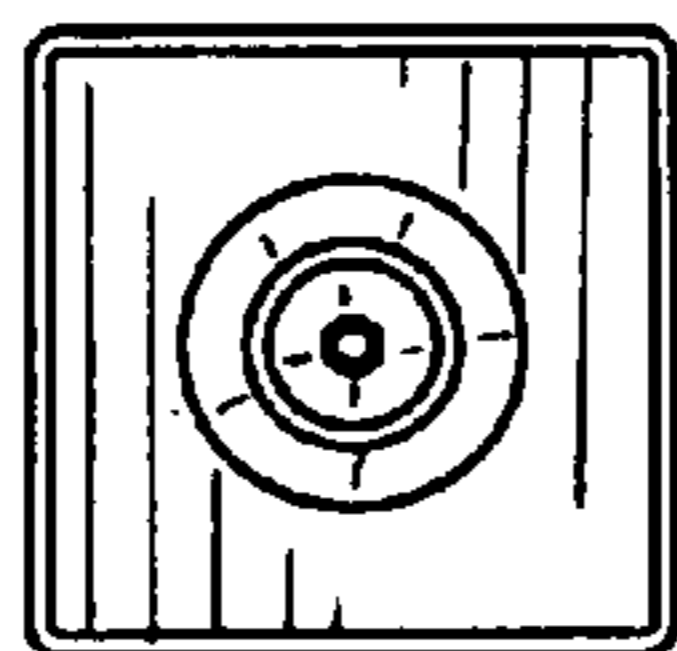


FIG. 12

