



US00D634992S

(12) **United States Design Patent**  
**McNamee**

(10) **Patent No.:** **US D634,992 S**

(45) **Date of Patent:** **\*\* Mar. 29, 2011**

(54) **FOLDING WINE GLASS RACK**

*Primary Examiner* — Terry A Wallace

(76) **Inventor:** **Brian McNamee**, San Francisco, CA  
(US)

(74) *Attorney, Agent, or Firm* — John E. Barger

(\*\*) **Term:** **14 Years**

(57) **CLAIM**

(21) **Appl. No.:** **29/364,655**

The ornamental design for a folding wine glass rack, as shown and described.

(22) **Filed:** **Jun. 25, 2010**

(51) **LOC (9) Cl.** ..... **06-04**

(52) **U.S. Cl.** ..... **D7/704**

(58) **Field of Classification Search** ..... D7/701-708;  
D6/552, 566, 512, 513, 546-549, 458, 462;  
211/13.1, 71.01, 74, 87.01, 181.1, 106, 94.2  
See application file for complete search history.

**DESCRIPTION**

FIG. 1 is a front perspective view of my design;  
FIG. 2 is a top view of my design;  
FIG. 3 is a bottom view of my design;  
FIG. 4 is a front elevation view of my design;  
FIG. 5 is a rear elevation view of my design;  
FIG. 6 is a left side elevation view of my design; and,  
FIG. 7 is a right side elevation view of my design.

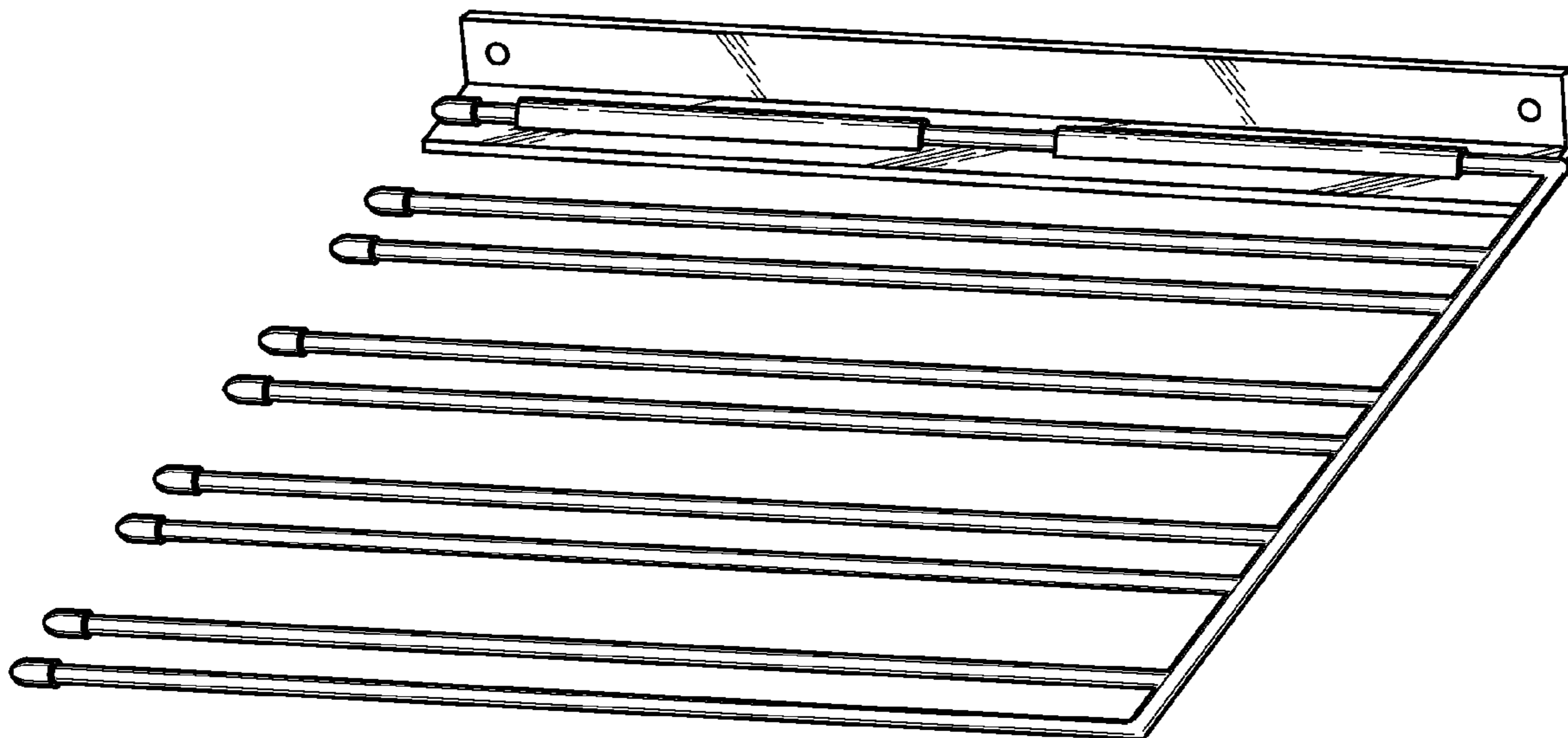
(56) **References Cited**

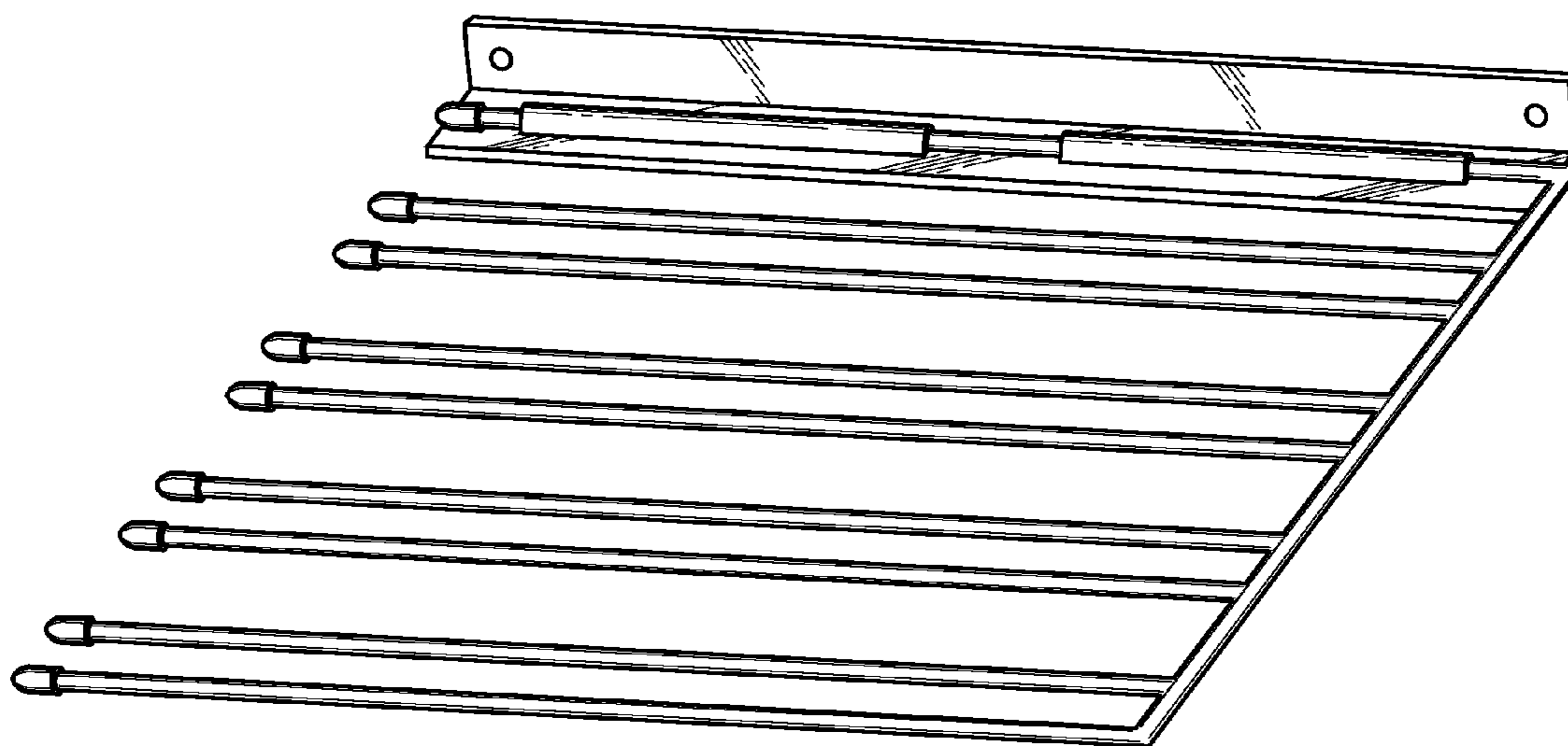
**U.S. PATENT DOCUMENTS**

D295,128 S \* 4/1988 Gentile ..... D7/704  
D547,138 S \* 7/2007 Goodman et al. .... D7/704

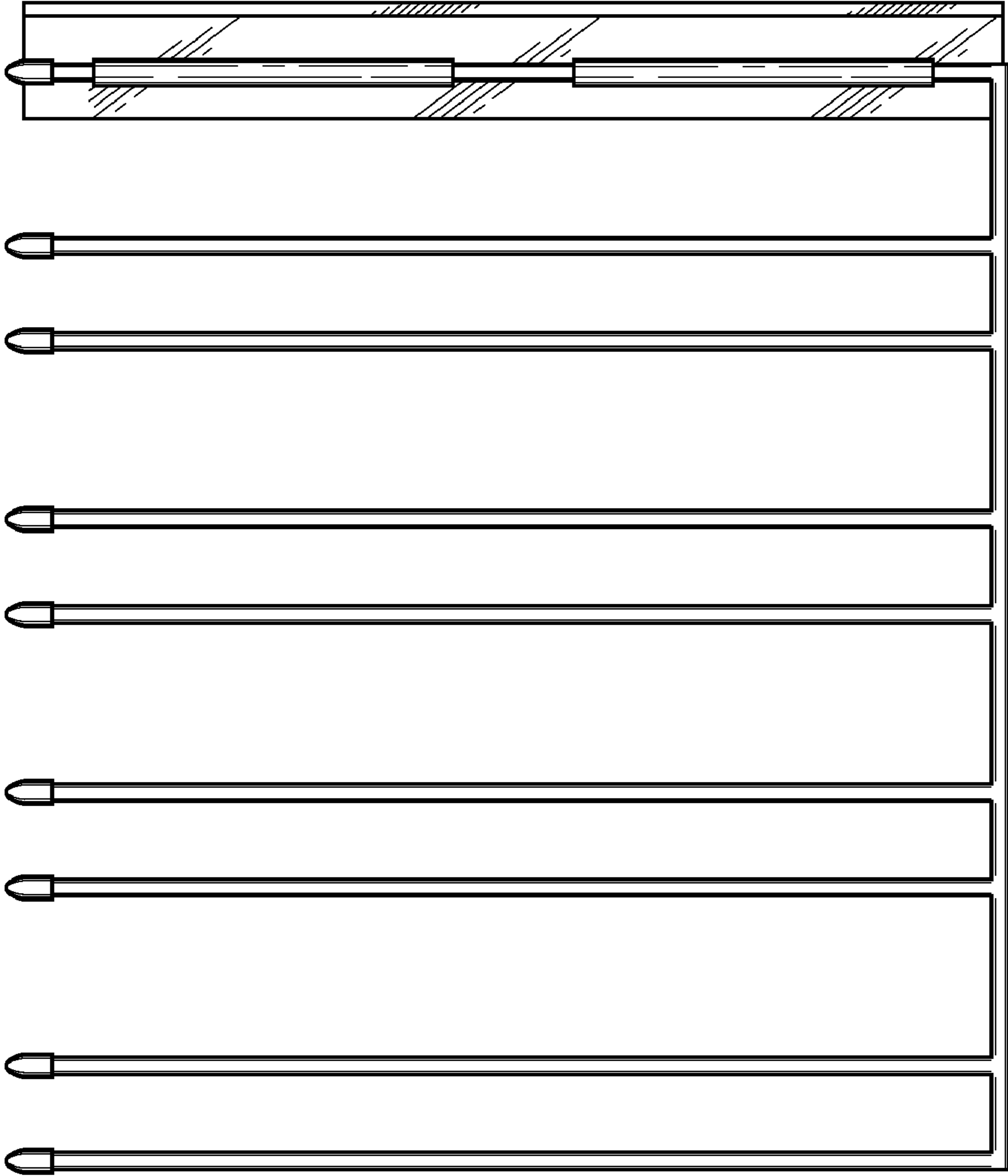
\* cited by examiner

**1 Claim, 5 Drawing Sheets**

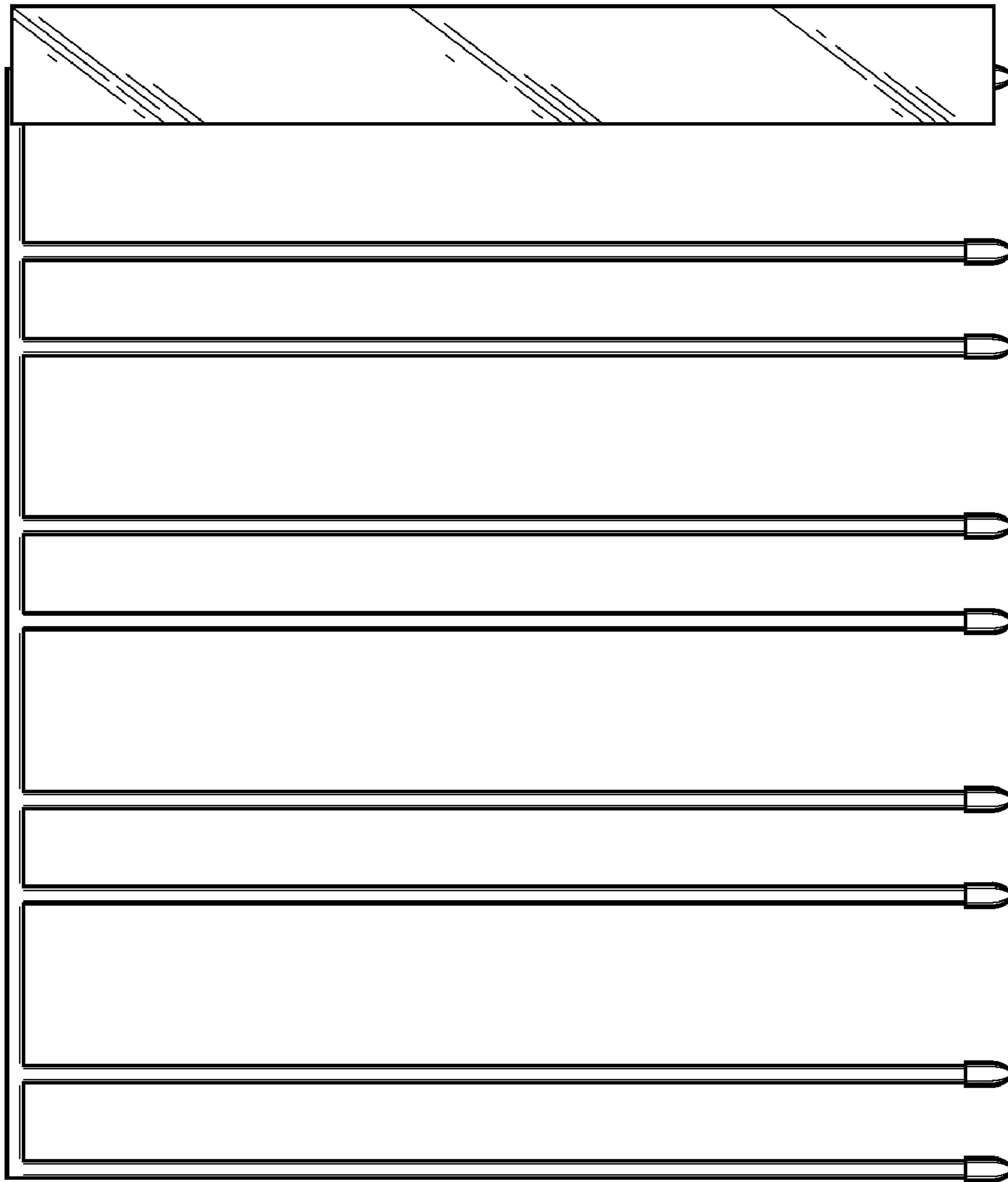




**Fig. 1**



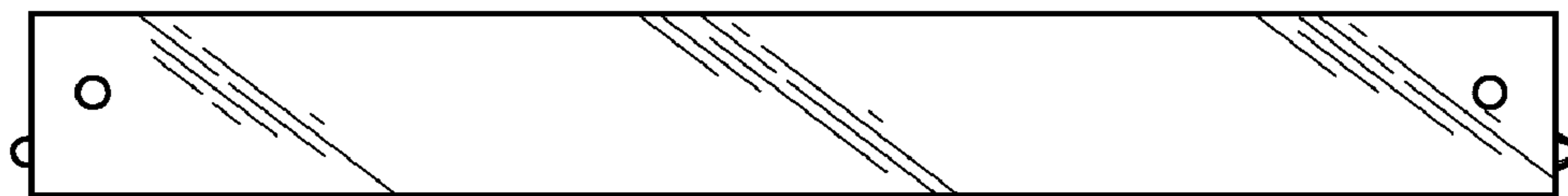
**Fig. 2**



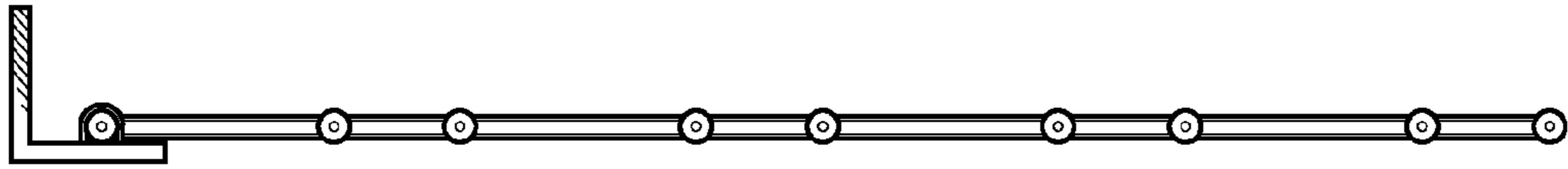
**Fig. 3**



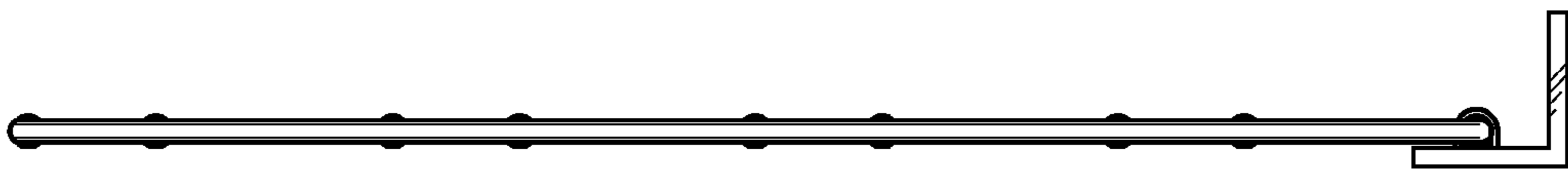
***Fig. 4***



***Fig. 5***



***Fig. 6***



***Fig. 7***