



US00D634989S

(12) **United States Design Patent**
Griffin et al.

(10) **Patent No.:** **US D634,989 S**
(45) **Date of Patent:** **** Mar. 29, 2011**

- (54) **APPARATUS FOR STORING AND SHREDDING HERBS**
- (76) Inventors: **Jeremy Lesland Griffin**, Northridge, CA (US); **Jacob Michael Griffin**, Northridge, CA (US)
- (**) Term: **14 Years**
- (21) Appl. No.: **29/362,350**
- (22) Filed: **May 25, 2010**
- (51) **LOC (9) Cl.** **07-06**
- (52) **U.S. Cl.** **D7/693**
- (58) **Field of Classification Search** D7/693, D7/678, 373, 384, 381, 412; 99/495, 509-513; 30/302, 303, 315, 316, 263, 301; 7/113; 241/168, 169, 169.1, 272
See application file for complete search history.

D427,015 S	6/2000	Yip	
D432,352 S	10/2000	Giacomel	
D474,378 S	5/2003	Brandenburg	
D481,913 S *	11/2003	Wright	D7/672
D518,688 S *	4/2006	Overthun et al.	D7/693
D527,588 S *	9/2006	de Groote et al.	D7/693
7,191,524 B2 *	3/2007	Longstreth	30/151
D558,528 S	1/2008	Jauser	

* cited by examiner

Primary Examiner — Terry A Wallace
(74) *Attorney, Agent, or Firm* — Ken Dallara; Law Office of Ken Dallara

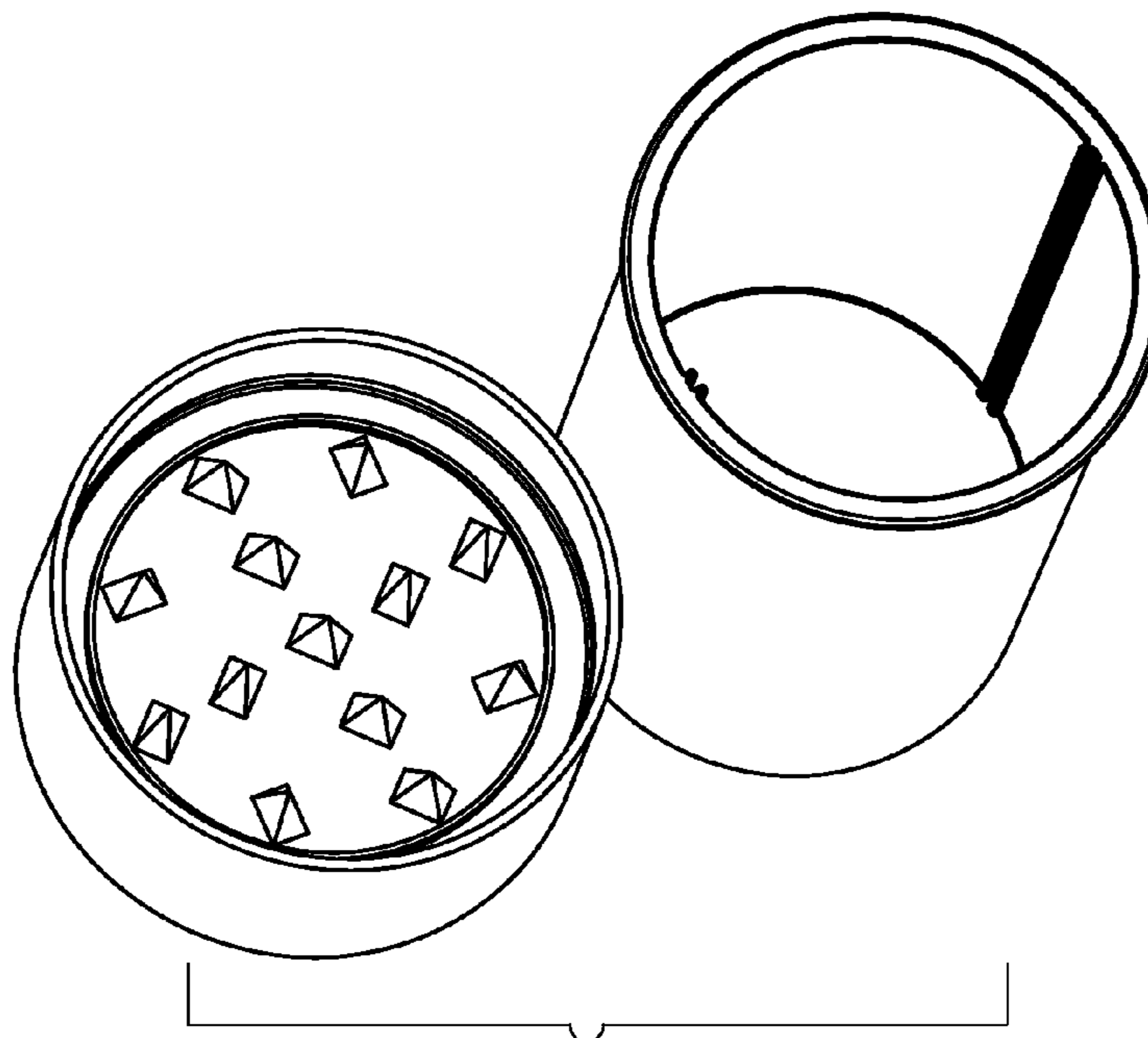
(57) **CLAIM**
An ornamental design for an apparatus for storing and shredding herbs, as shown and described.

DESCRIPTION

FIG. 1 is a top elevation view of the apparatus for storing and shredding herbs showing our new design;
 FIG. 2 is the side elevation view of the apparatus thereof;
 FIG. 3 is an isometric view of the top of the apparatus thereof;
 FIG. 4 is the top view of the cap and body of the apparatus without the cap being located upon said body thereof;
 FIG. 5 is the side elevation view of the body and cap of the apparatus after the cap has been removed from the body of said apparatus, thereof;
 FIG. 6 is the bottom view of the cap and body of the apparatus without the cap being located upon said body thereof;
 FIG. 7 is an isometric view of the top of the cap and body of the apparatus without the cap being located upon said body, thereof; and,
 FIG. 8 is an isometric view of the bottom of the cap and body of the apparatus without the cap being located upon said body, thereof.

1 Claim, 3 Drawing Sheets

- (56) **References Cited**
- U.S. PATENT DOCUMENTS
- 2,101,595 A 12/1937 Potstada
- 2,443,873 A 5/1945 Simpson
- 2,610,664 A * 9/1952 Thompson 83/420
- 2,782,826 A * 2/1957 Zysset 241/272
- D181,936 S 1/1958 Michaels
- 3,667,519 A 6/1972 Shaddock
- D233,204 S 10/1974 Fisher
- D249,922 S 10/1978 Hall et al.
- D279,162 S 6/1985 Samuel
- D280,058 S 8/1985 Carlson
- 4,572,444 A * 2/1986 Shaddock 241/168
- 5,103,563 A * 4/1992 Johnson 30/301
- D330,664 S * 11/1992 Johnson D7/693
- D337,697 S 7/1993 Giugiaro
- D378,653 S 4/1997 Richardi



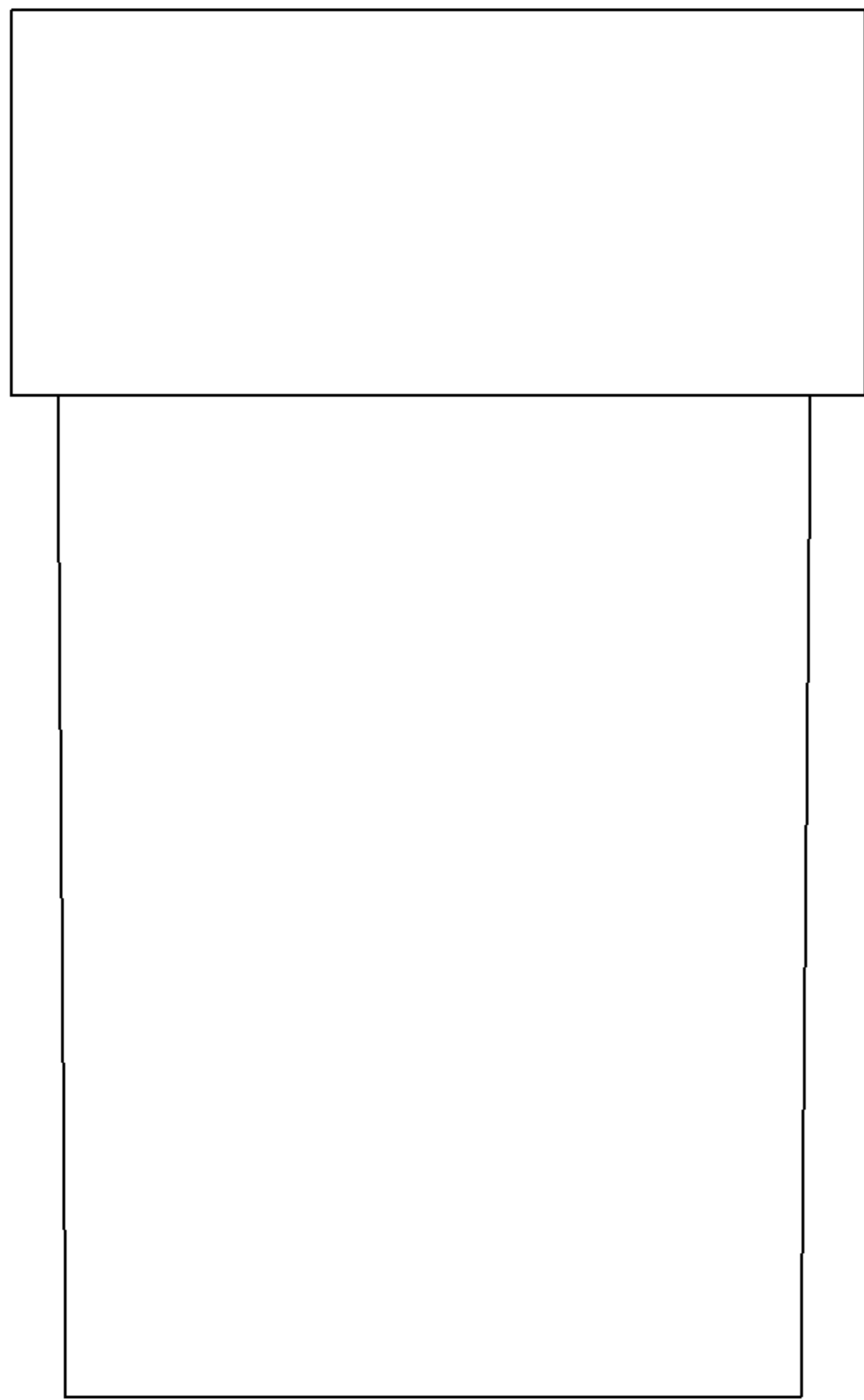


Figure 2

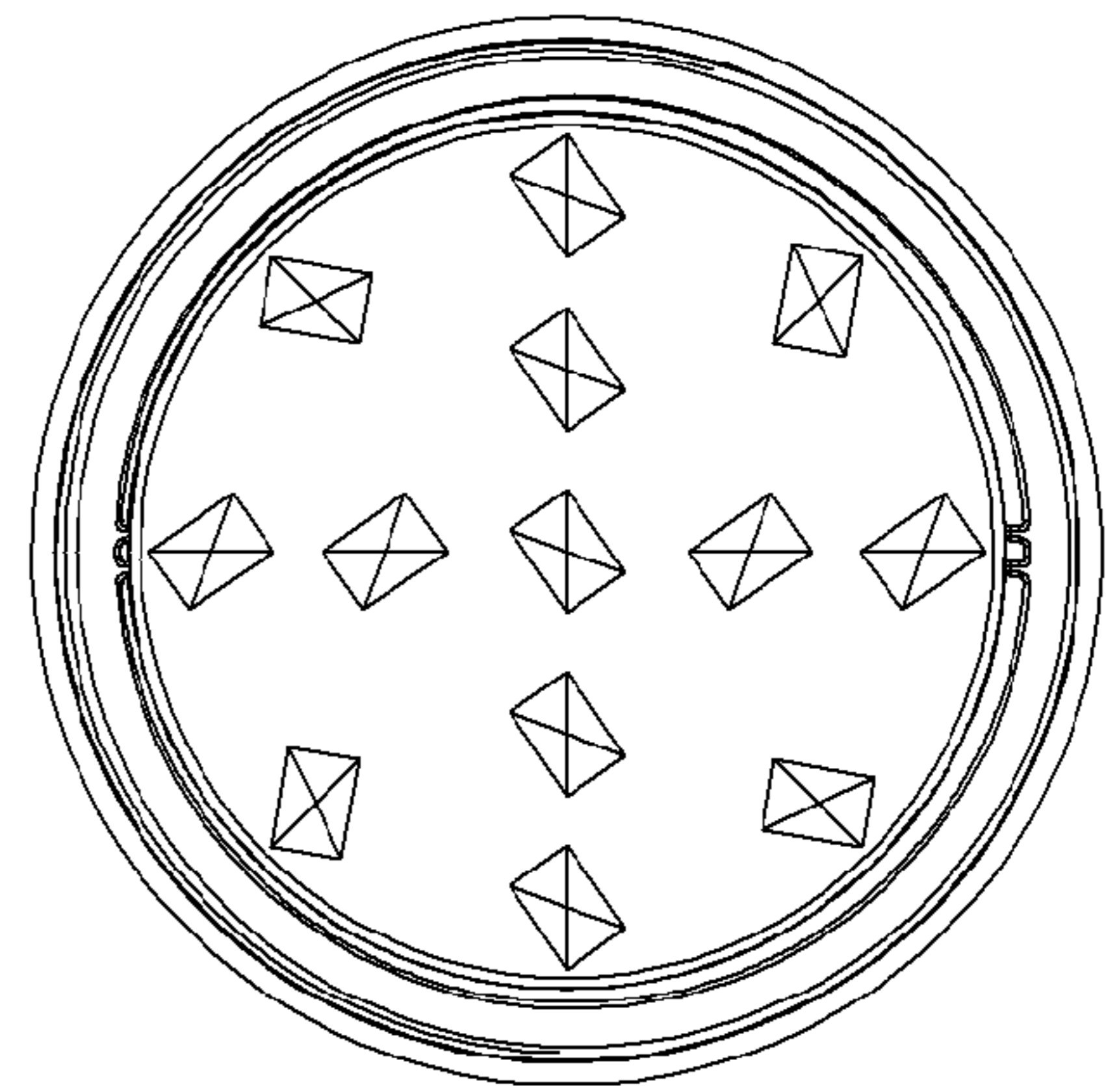


Figure 1

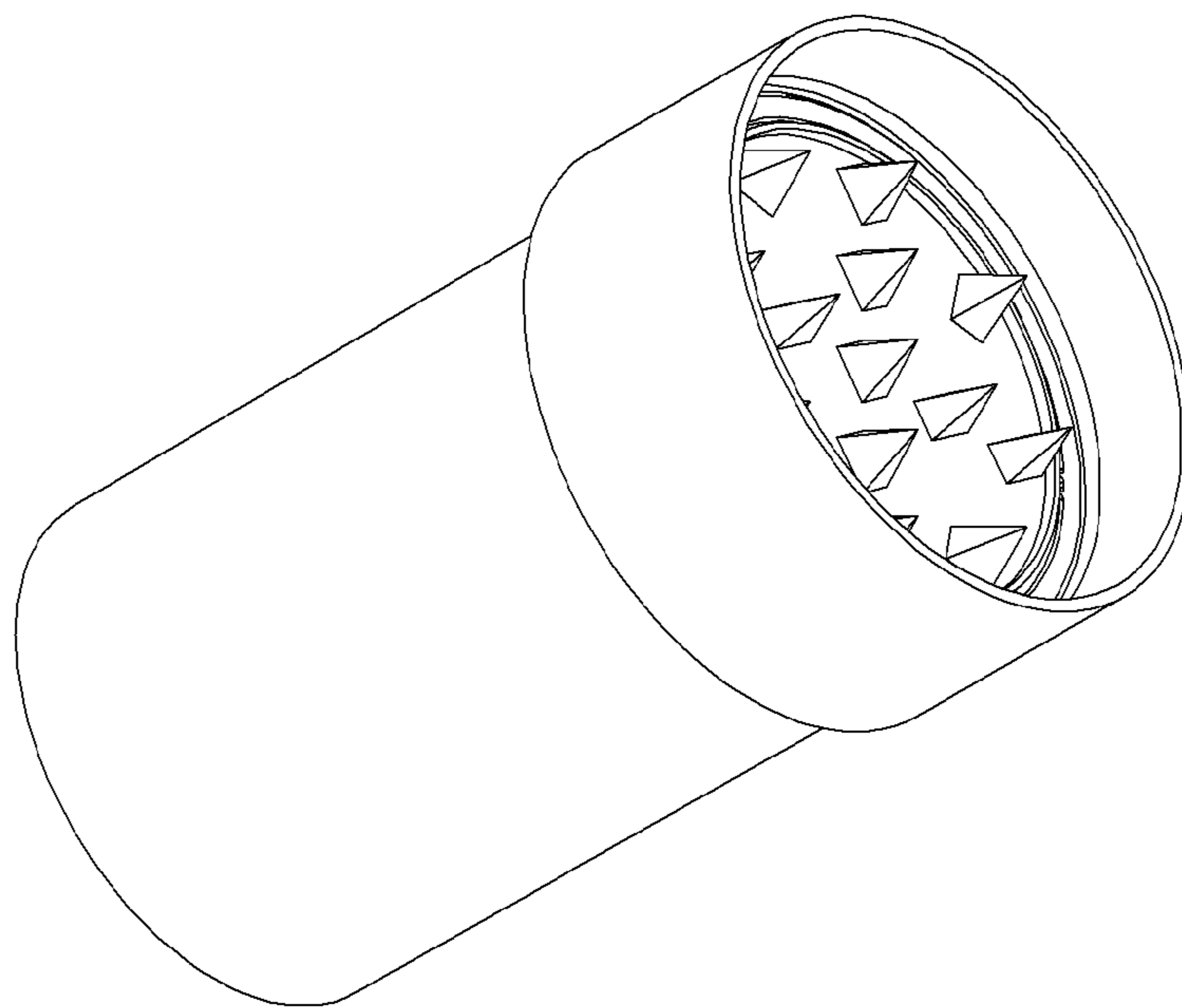


Figure 3

Figure 4

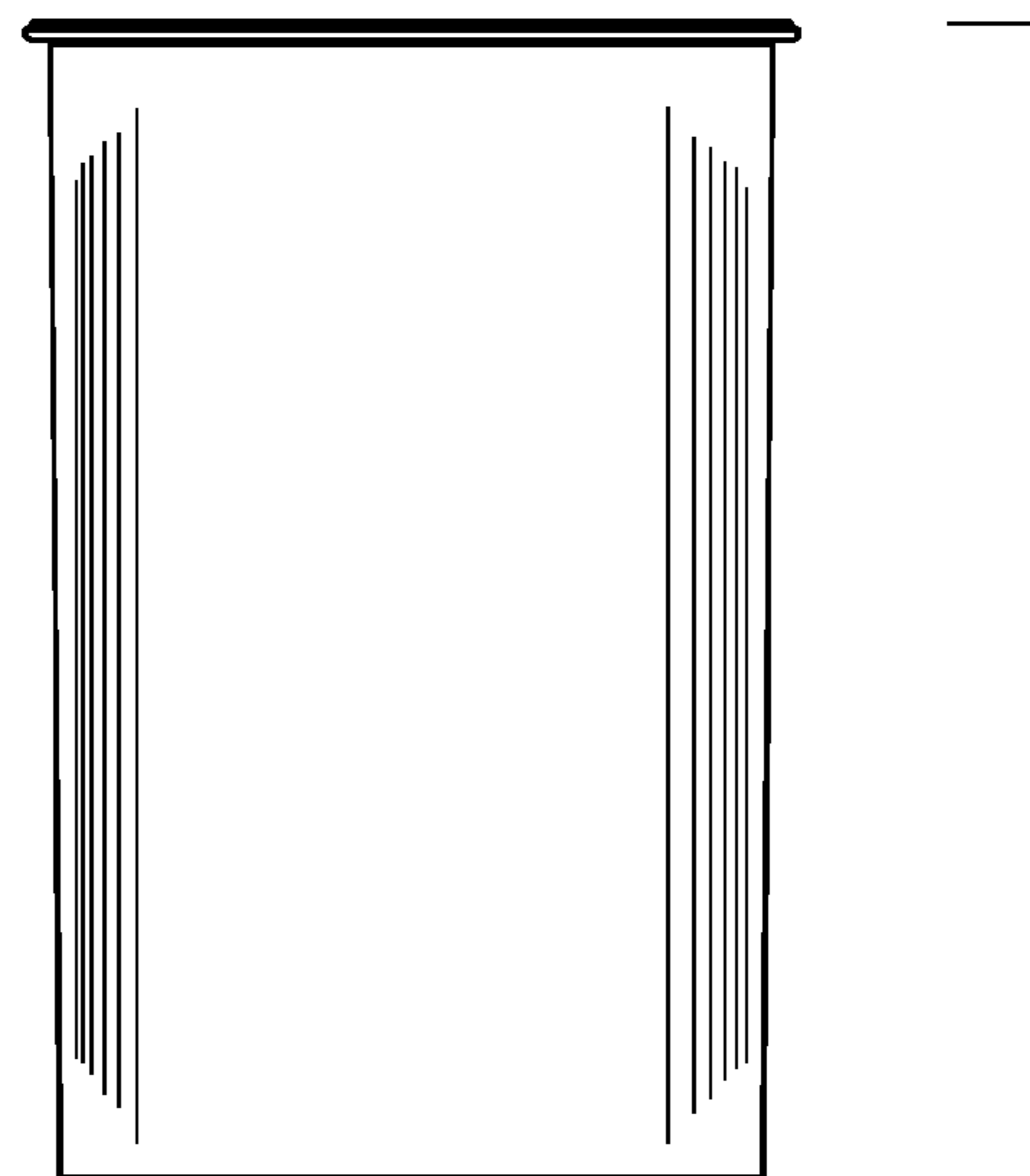
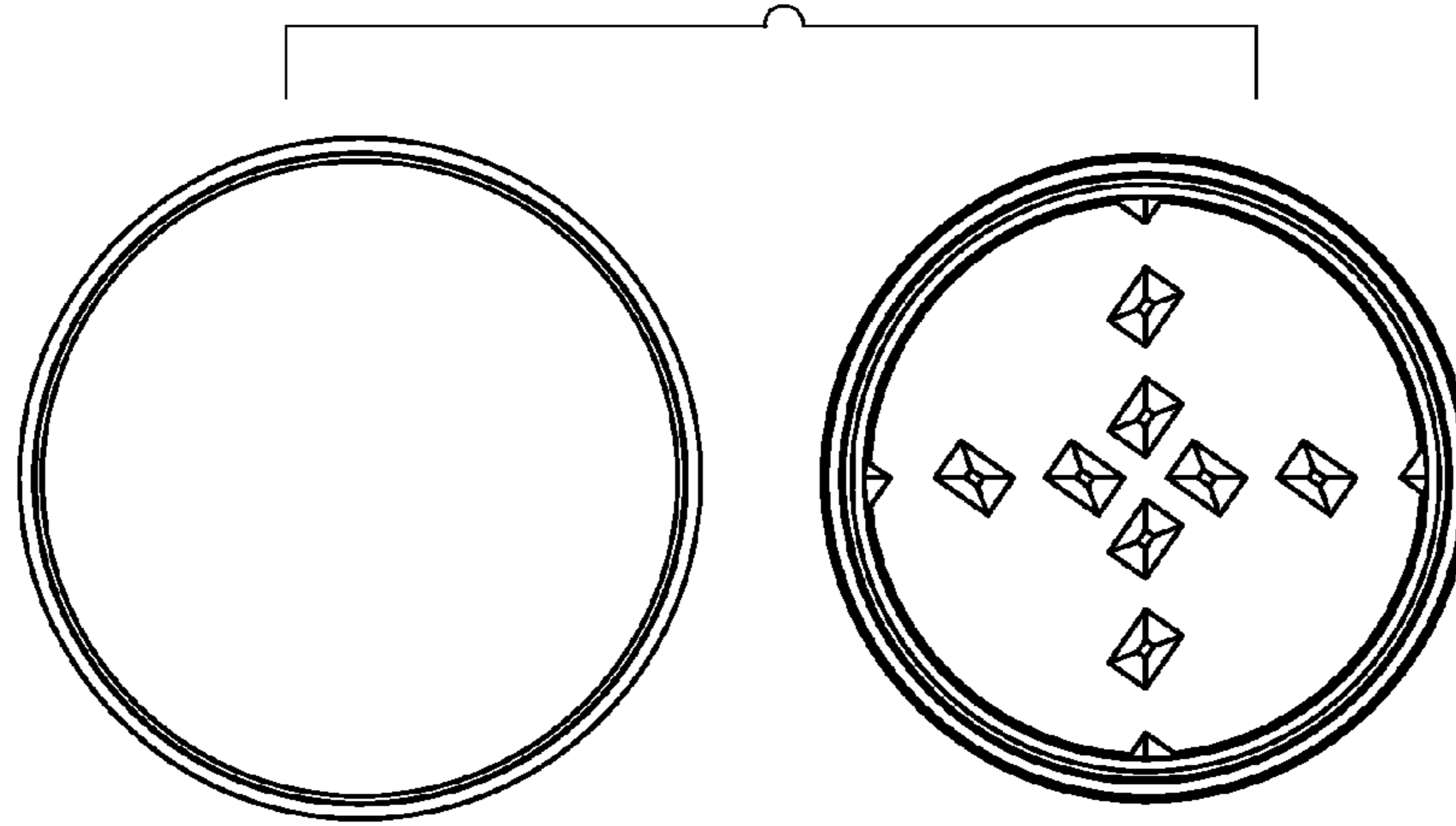


Figure 5

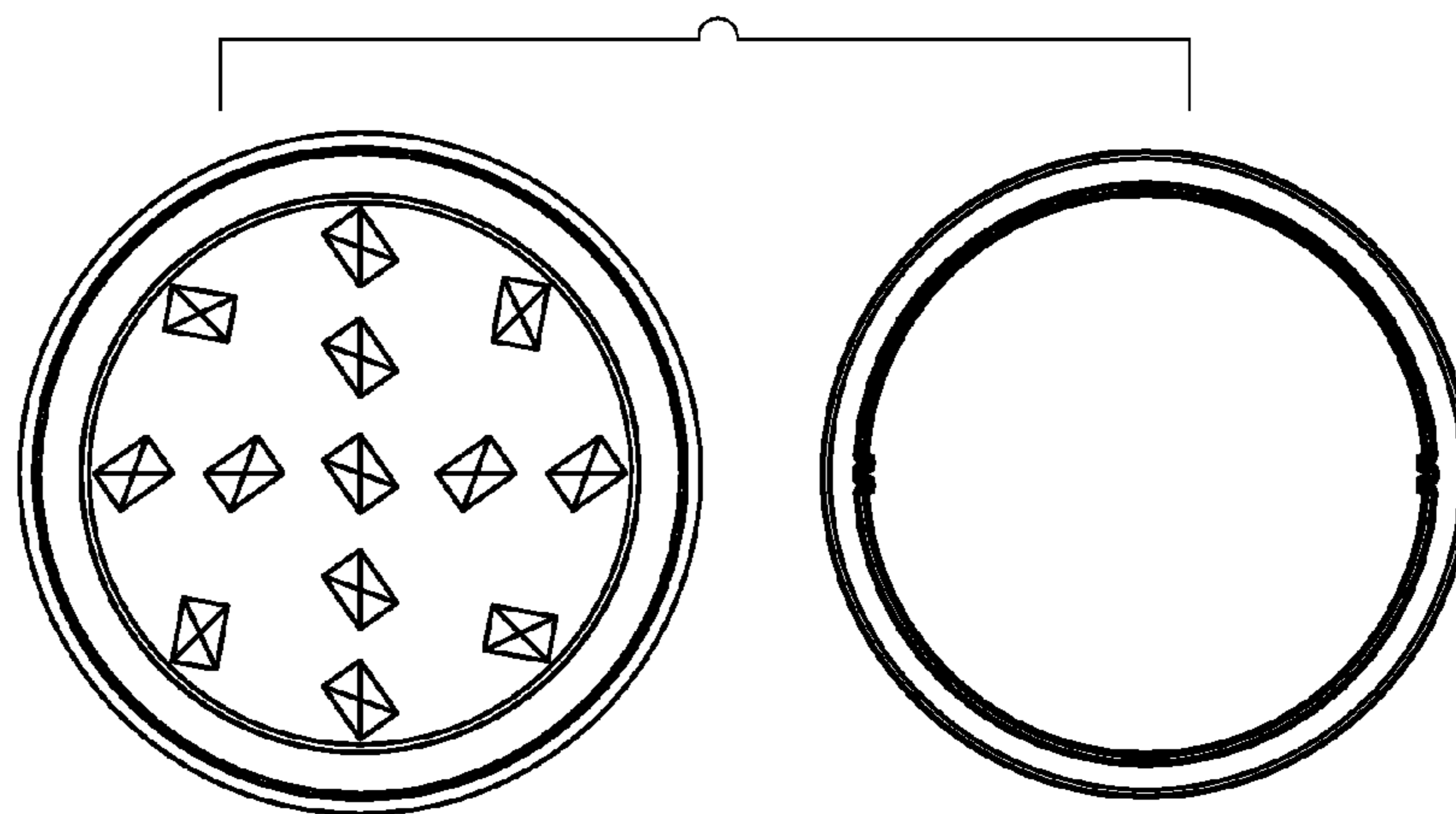


Figure 6

Figure 7

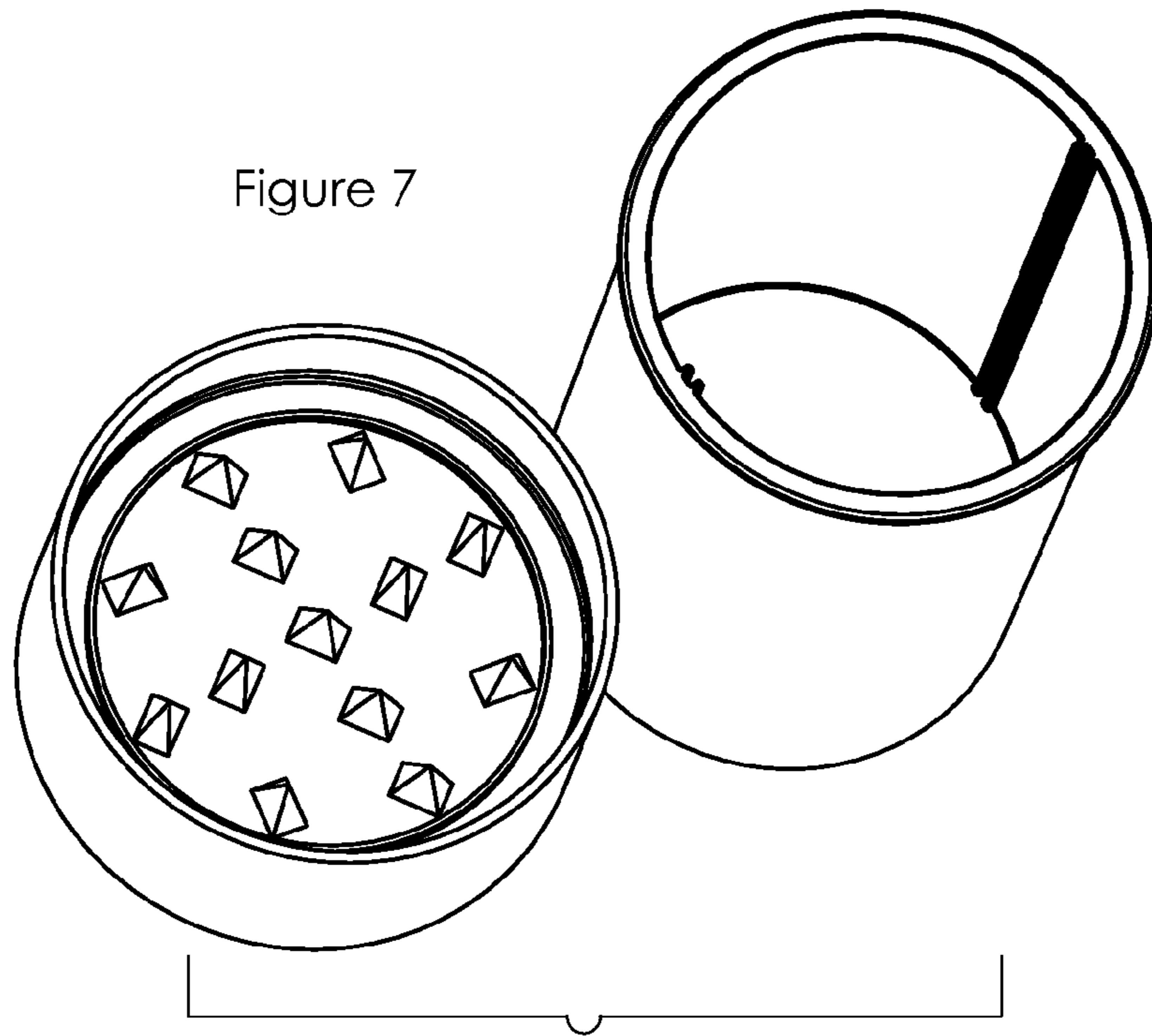


Figure 8

