



US00D634988S

(12) **United States Design Patent**
Zorovich et al.

(10) **Patent No.:** **US D634,988 S**
(45) **Date of Patent:** **** Mar. 29, 2011**

(54) **INSERT FOR A COMESTIBLE MAKER**
(75) Inventors: **Kenneth D. Zorovich**, Hoboken, NJ
(US); **Yos Kumthampinij**, Edgewater,
NJ (US); **John C. Earle**, Annapolis, MD
(US)
(73) Assignee: **Propeller, Inc.**, Hoboken, NJ (US)

2,541,814 A 2/1951 Gaddini
2,591,261 A 4/1952 Holahan
2,946,207 A * 7/1960 Hultstrum 249/92
3,780,536 A 12/1973 Fishman et al.
4,239,175 A * 12/1980 Straubinger 249/92
4,352,830 A 10/1982 Billett et al.
4,688,398 A 8/1987 Baek
4,696,166 A 9/1987 Bukoschek et al.
5,354,191 A * 10/1994 Bobis 425/118

(**) Term: **14 Years**
(21) Appl. No.: **29/361,072**
(22) Filed: **May 5, 2010**

Related U.S. Application Data

(63) Continuation-in-part of application No. 12/321,237,
filed on Jan. 16, 2009.
(51) **LOC (9) Cl.** **07-04**
(52) **U.S. Cl.** **D7/672**
(58) **Field of Classification Search** D7/672-677,
D7/368, 669, 354; 249/91, 92, 93, 121, 119,
249/133, 140; D1/101, 102, 105, 127; 425/118,
425/126.2, DIG. 249; 294/87.11
See application file for complete search history.

(56) **References Cited**

U.S. PATENT DOCUMENTS

1,505,592 A 8/1924 Epperson
1,987,945 A * 1/1935 Schnaler 249/92

OTHER PUBLICATIONS

U.S. Appl. No. 12/321,237, filed on Jan. 16, 2009 titled Method and
Apparatus for Making Frozen Comestibles.

* cited by examiner

Primary Examiner — Terry A Wallace

(74) *Attorney, Agent, or Firm* — Greenberg Traurig, LLP

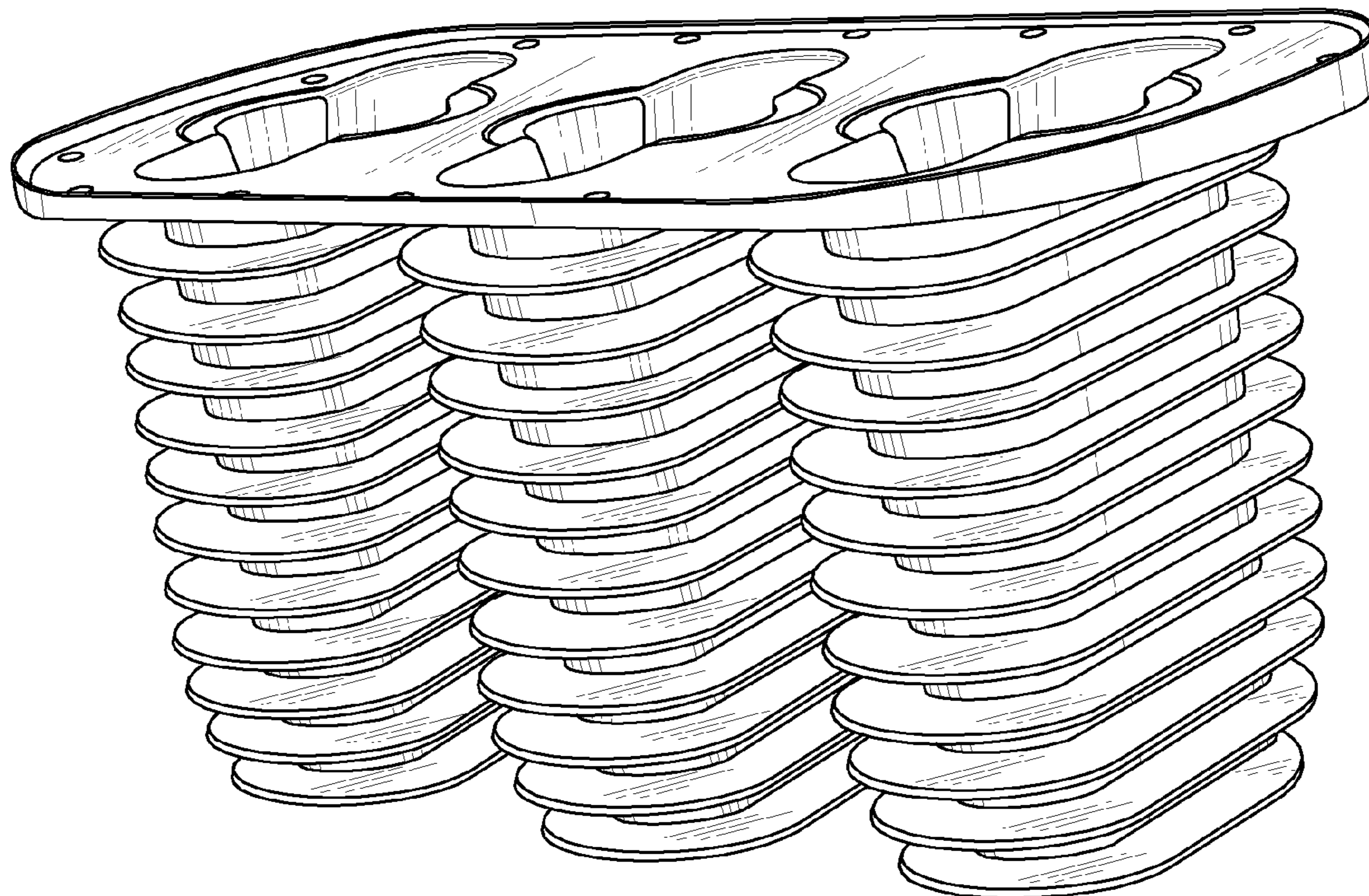
(57) **CLAIM**

The ornamental design for an insert for a comestible maker, as
shown and described.

DESCRIPTION

FIG. 1 is a perspective view of an insert for a comestible
maker showing my new design;
FIG. 2 is a top plan view thereof;
FIG. 3 is a front elevational view thereof, the rear view being
identical to the front;
FIG. 4 is a left side elevational view thereof, the right side
being identical to the left; and,
FIG. 5 is a bottom plan view thereof.

1 Claim, 3 Drawing Sheets



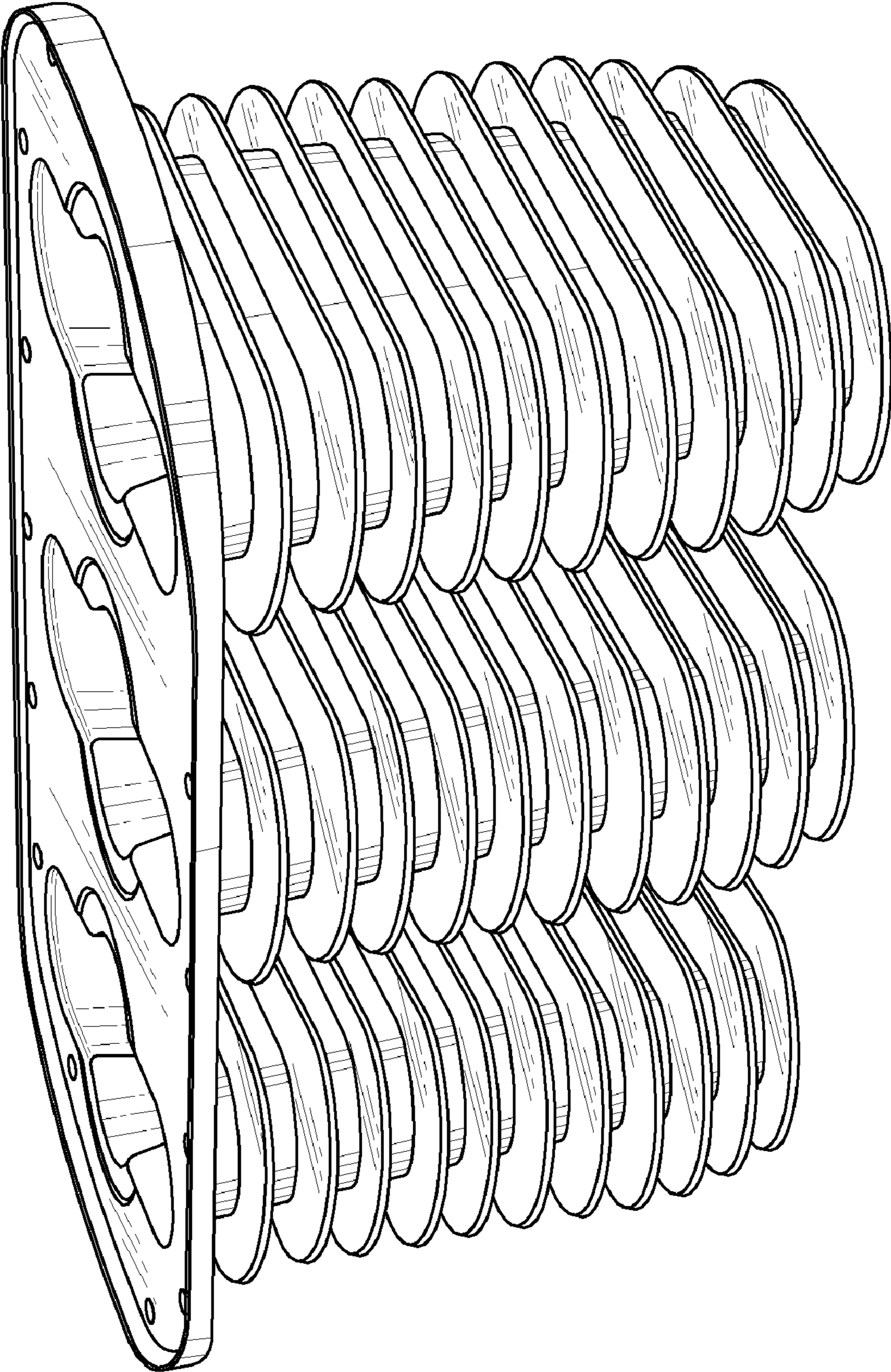


FIG. 1

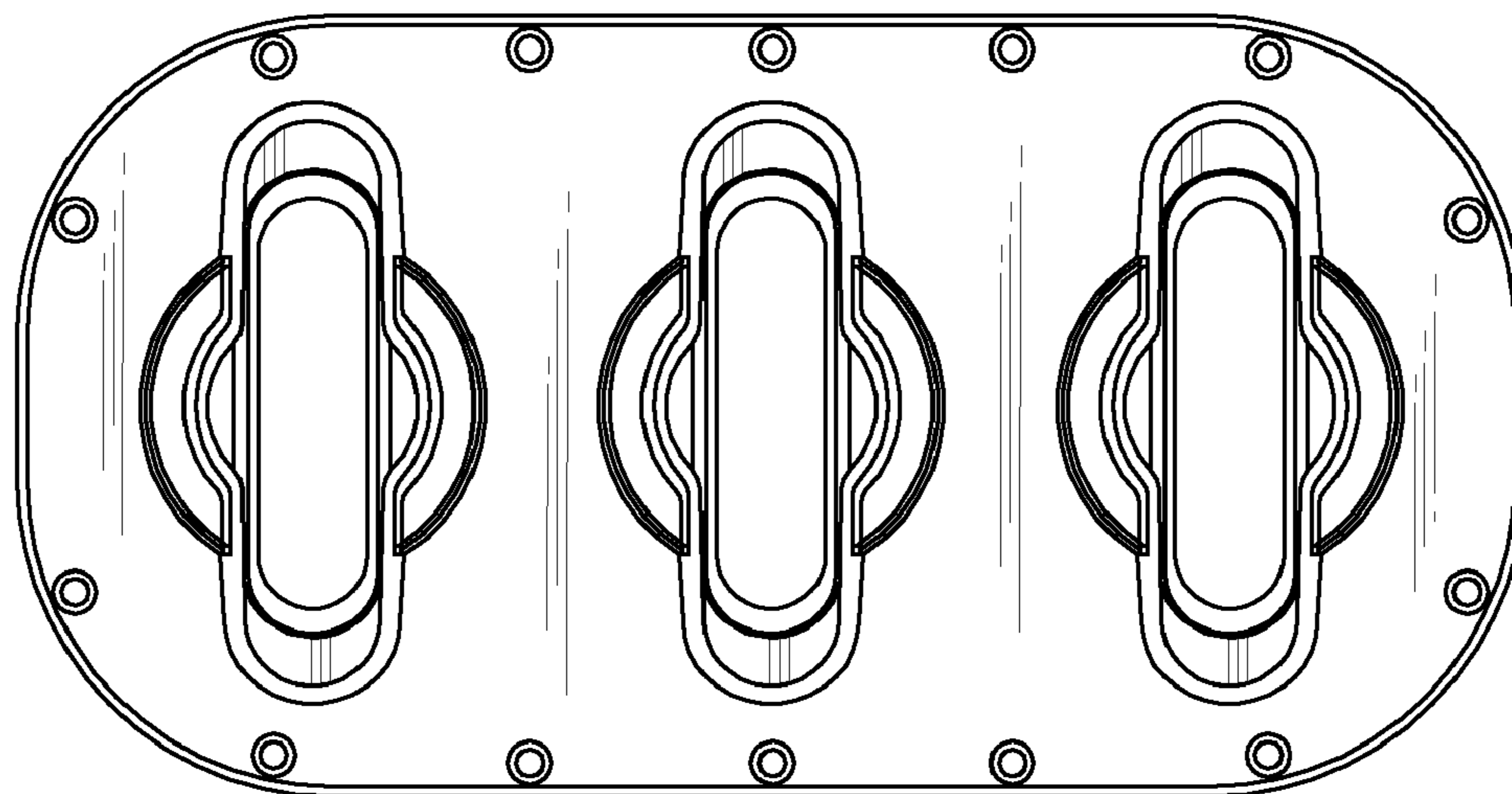


FIG. 2

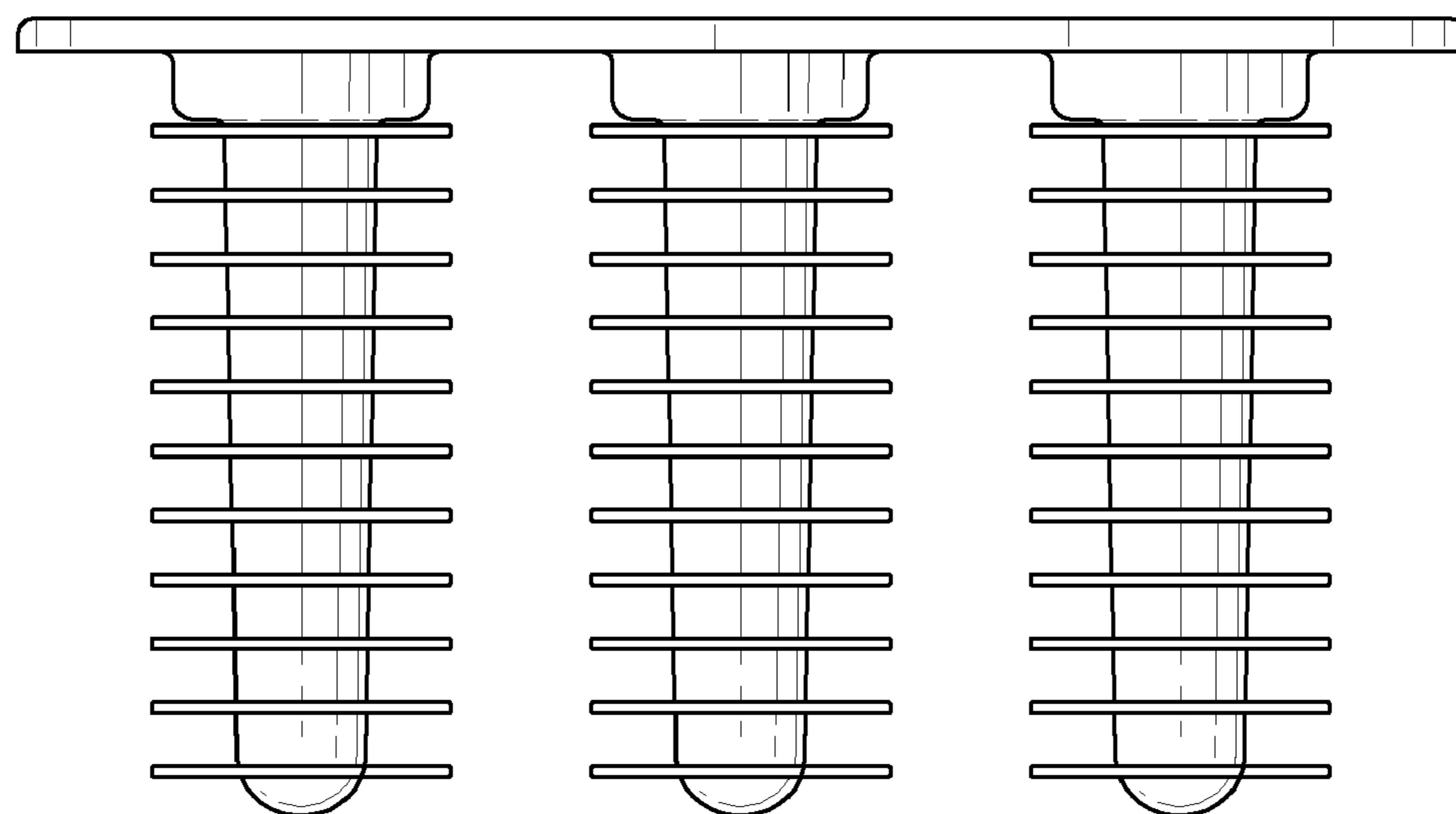


FIG. 3

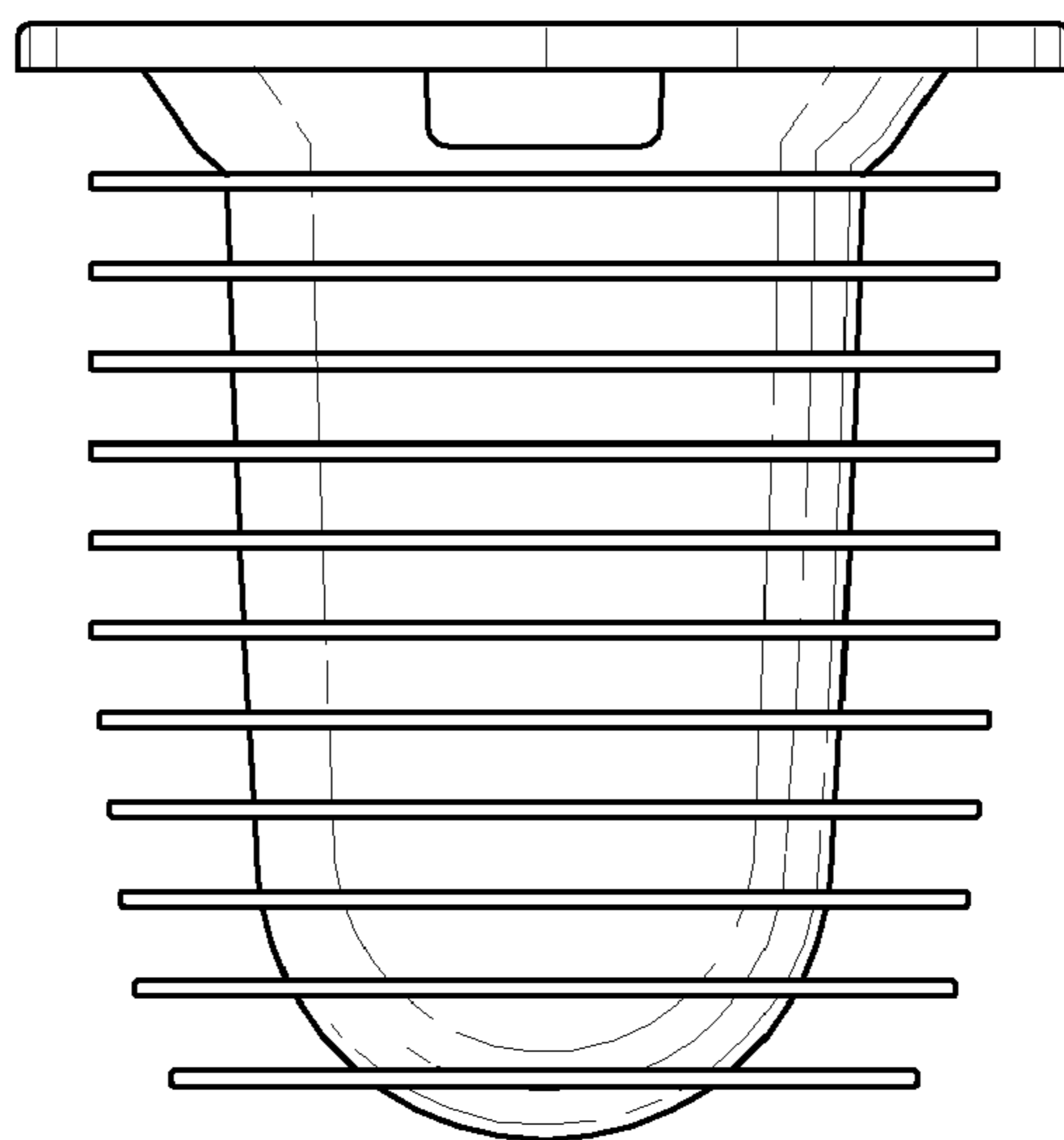


FIG. 4

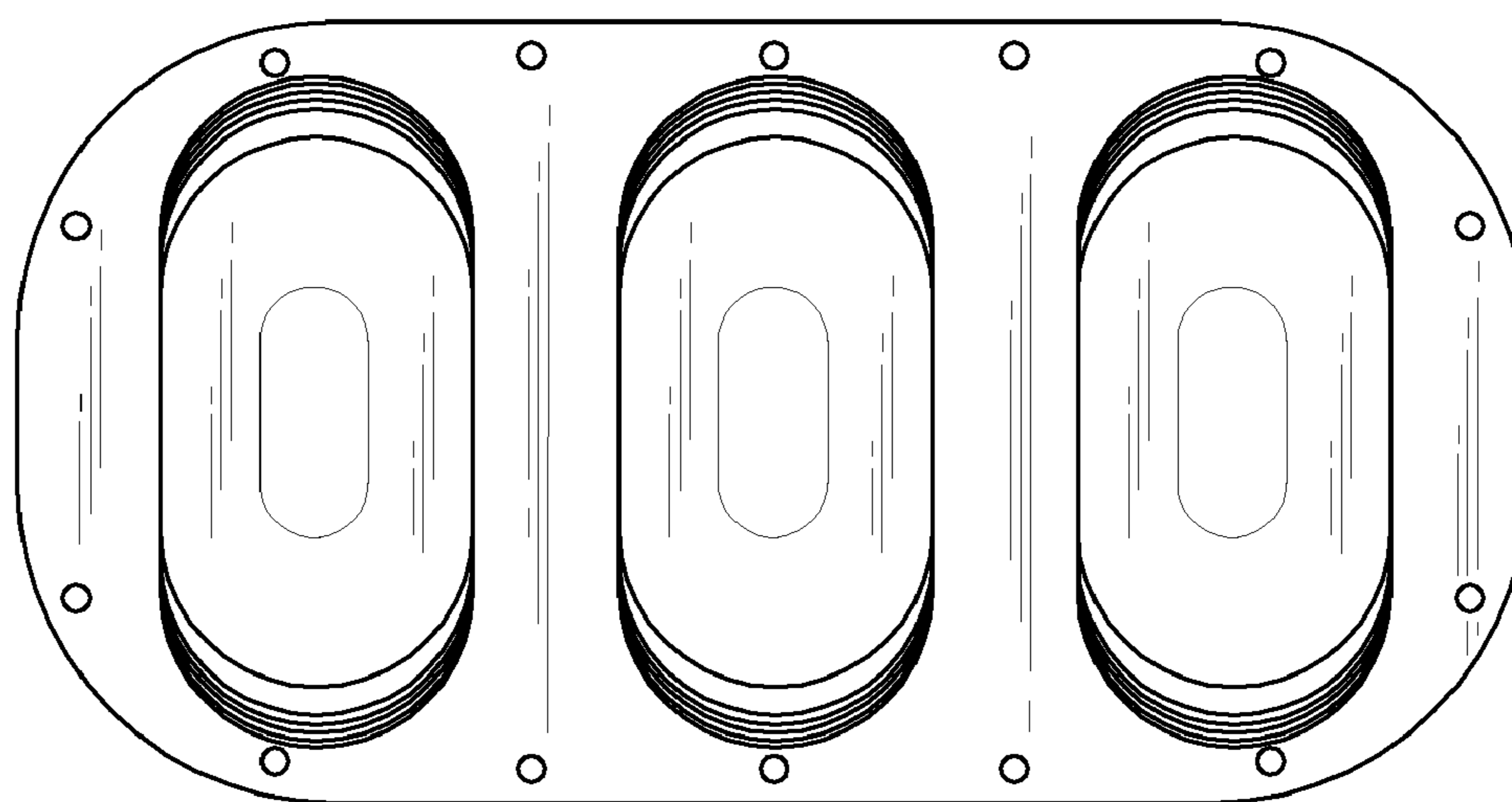


FIG. 5