



US00D634986S

(12) **United States Design Patent**
Smyers

(10) **Patent No.:** **US D634,986 S**

(45) **Date of Patent:** **** Mar. 29, 2011**

(54) **CONTAINER AND LID FOR COOKIES OR OTHER FOODS**

(75) Inventor: **Justin Smyers**, Newport Beach, CA (US)

(73) Assignee: **Snapware Corporation**, Mira Loma, CA (US)

(**) Term: **14 Years**

(21) Appl. No.: **29/363,245**

(22) Filed: **Jun. 7, 2010**

(51) **LOC (9) Cl.** **07-01**

(52) **U.S. Cl.** **D7/629**

(58) **Field of Classification Search** D7/601, D7/602, 612, 629, 538, 539, 540, 542; D9/414, D9/424, 425, 549, 558; D3/201, 273, 274, D3/302; 220/281, 662, 675, 780-799, 574, 220/574.1

See application file for complete search history.

(56) **References Cited**

U.S. PATENT DOCUMENTS

1,587,167	A *	6/1926	Marsden	215/355
2,614,727	A *	10/1952	Robinson	220/780
3,044,610	A *	7/1962	Tupper	220/270
3,080,090	A *	3/1963	Young	220/792
3,373,896	A *	3/1968	Davis	220/781
3,420,397	A *	1/1969	Miller	220/203.09
D216,552	S *	2/1970	Curry	D7/629
3,516,572	A *	6/1970	Paul	220/781
3,688,939	A *	9/1972	Beckers	206/591
D244,741	S *	6/1977	Daenen	D7/538
4,471,880	A *	9/1984	Taylor et al.	220/792
D278,674	S *	5/1985	Tardif et al.	D7/629
D299,102	S *	12/1988	Maki	D7/612
4,809,868	A *	3/1989	Pomroy	220/260
D329,782	S *	9/1992	Narsutis	D7/629
D335,428	S *	5/1993	Picozza et al.	D7/612
D353,521	S *	12/1994	Booten	D7/629
5,377,861	A *	1/1995	Landis	220/380

D376,512	S *	12/1996	Klemme	D7/538
D390,422	S *	2/1998	Daenen et al.	D7/615
5,931,332	A *	8/1999	Mygatt et al.	220/270
D479,951	S *	9/2003	Segura	D7/608
D486,358	S *	2/2004	Dais et al.	D7/629
D488,031	S *	4/2004	Kim	D7/629

(Continued)

Primary Examiner — Stella M Reid

Assistant Examiner — Elizabeth J Oswecki

(74) *Attorney, Agent, or Firm* — Larry K. Roberts

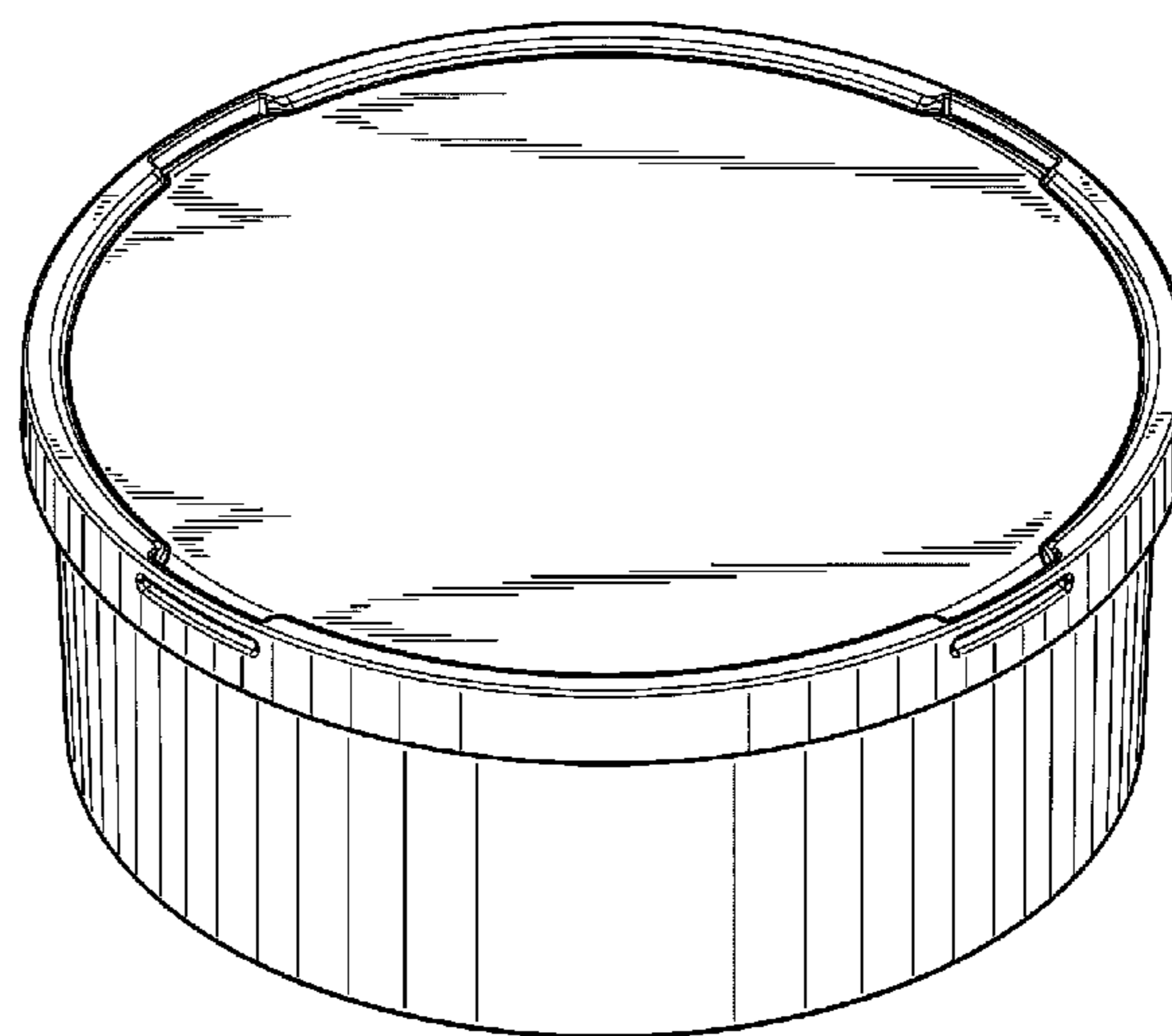
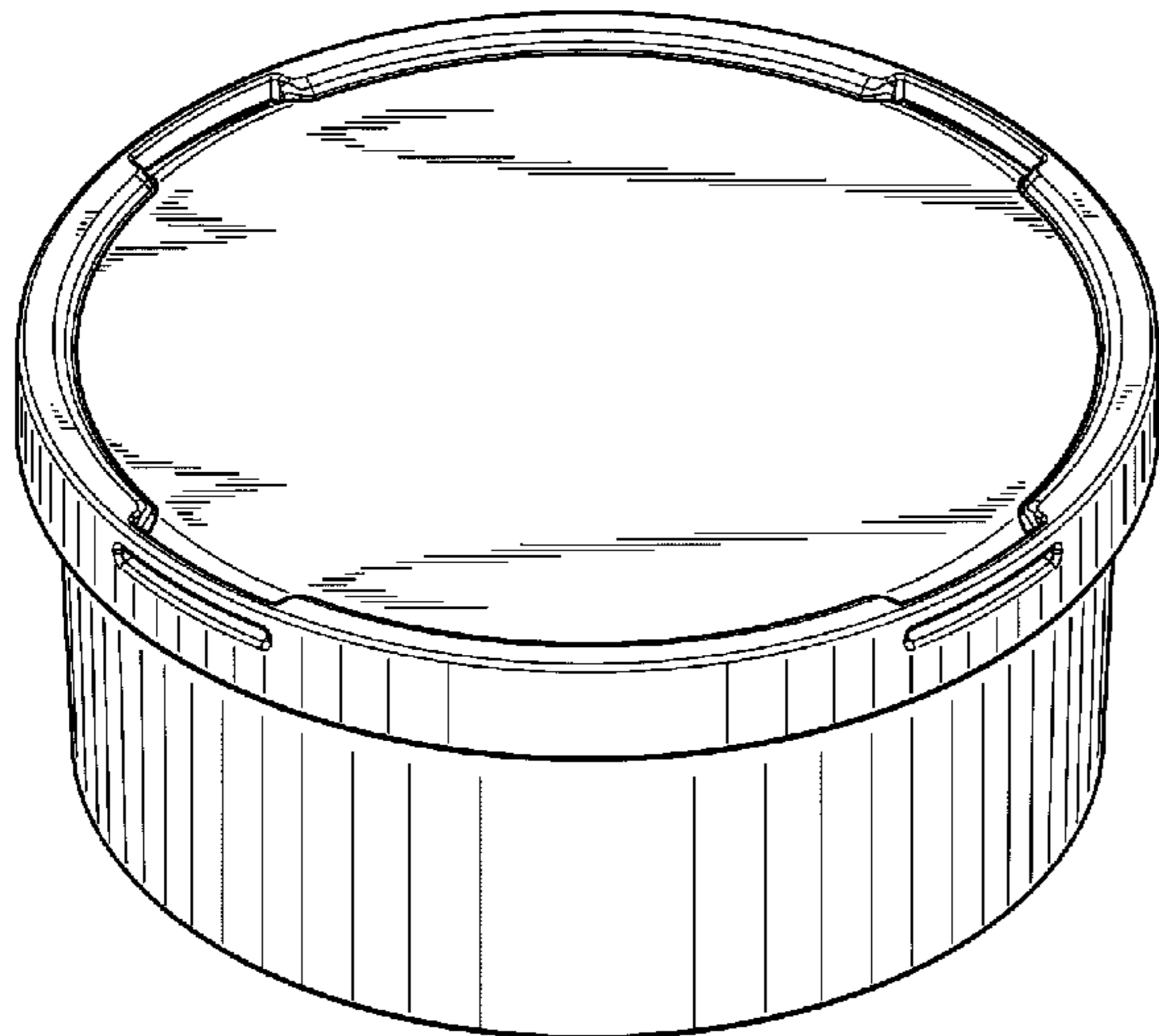
(57) **CLAIM**

The ornamental design for a container and lid for cookies or other foods, as shown and described.

DESCRIPTION

FIG. 1 is an isometric view of a container and lid for cookies or other foods of a first embodiment showing my new design; FIG. 2 is a top view of the embodiment of FIG. 1; FIG. 3 is a bottom view of the embodiment of FIG. 1; FIG. 4 is a front elevation view of the embodiment of FIG. 1, the left, right and back elevation views of the embodiment of FIG. 1 being identical to the front view of FIG. 4; FIG. 5 is an isometric view of a container and lid for cookies or other foods of a second embodiment showing my new design; FIG. 6 is a top view of the embodiment of FIG. 5; FIG. 7 is a bottom view of the embodiment of FIG. 5; FIG. 8 is a front elevation view of the embodiment of FIG. 5, the left, right and back elevation views of the embodiment of FIG. 5 being identical to the front view of FIG. 8; FIG. 9 is an isometric view of a container and lid for cookies or other foods of a third embodiment showing my new design; FIG. 10 is a top view of the embodiment of FIG. 9; FIG. 11 is a bottom view of the embodiment of FIG. 9; and, FIG. 12 is a front elevation view of the embodiment of FIG. 9, the left, right and back elevation views of the embodiment of FIG. 9 being identical to the front view of FIG. 12.

1 Claim, 12 Drawing Sheets



US D634,986 S

Page 2

U.S. PATENT DOCUMENTS

D493,677 S *	8/2004	Meyer	D7/629	D575,114 S *	8/2008	Moghavem	D7/629
D508,188 S *	8/2005	Zettle et al.	D7/629	D575,115 S *	8/2008	Zimmerman	D7/629
D523,296 S *	6/2006	Kim	D7/629	D620,321 S *	7/2010	Sperrazza	D7/629
D524,119 S *	7/2006	Kim	D7/629	D621,667 S *	8/2010	Ablo	D7/629
D557,992 S *	12/2007	Stamper et al.	D7/629	2009/0166369 A1 *	7/2009	Savicki	220/781

* cited by examiner

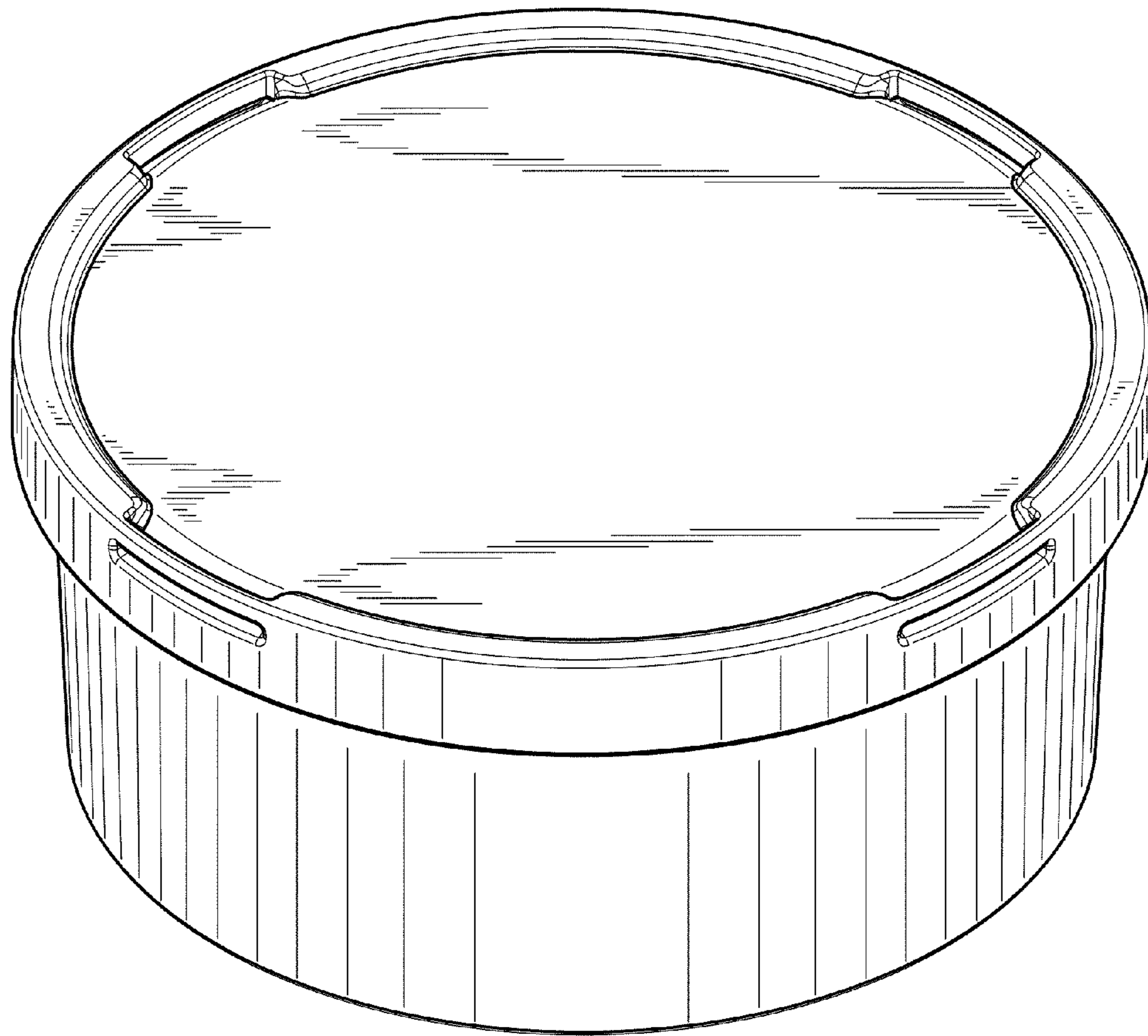


FIG. 1

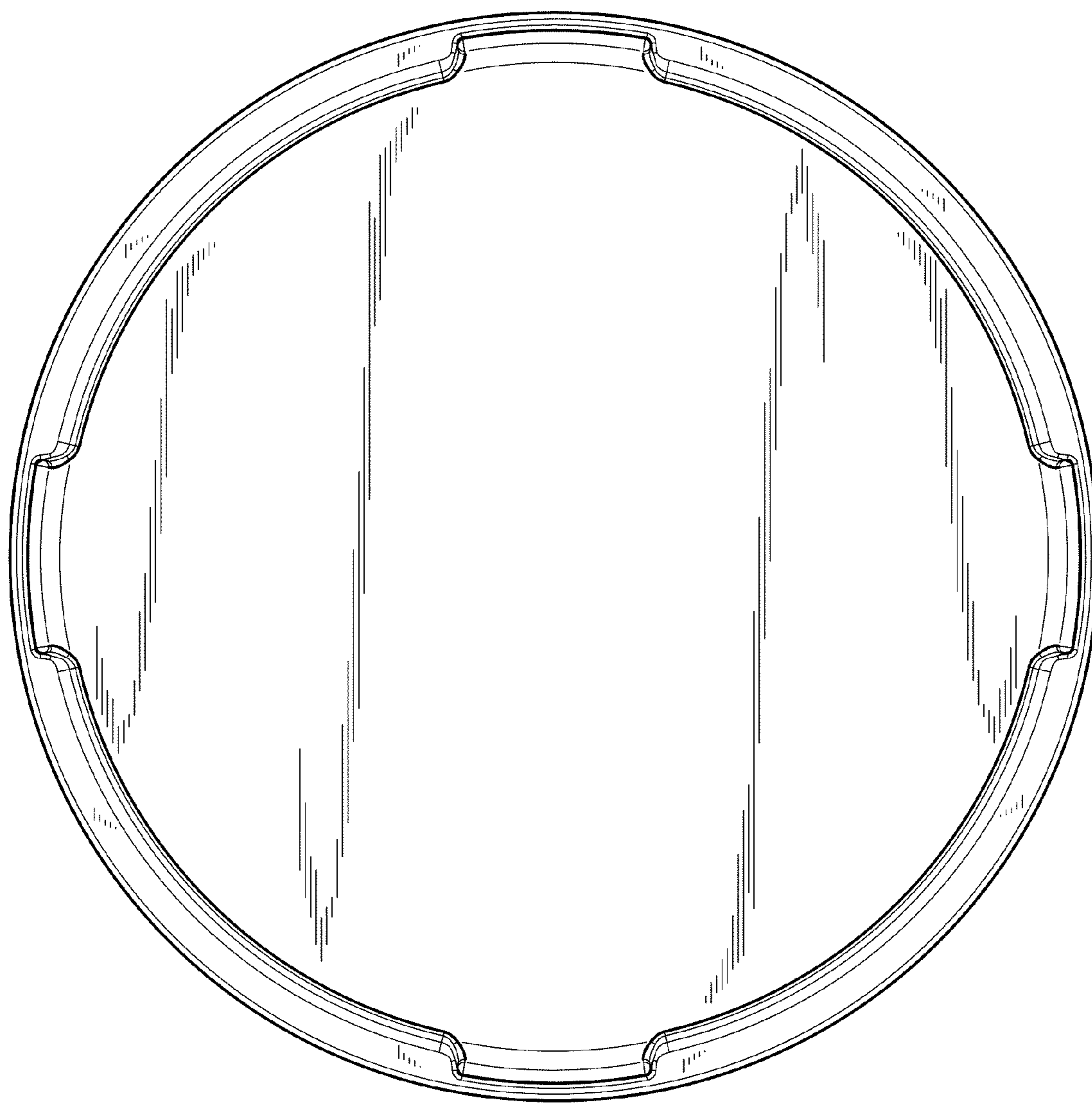


FIG. 2

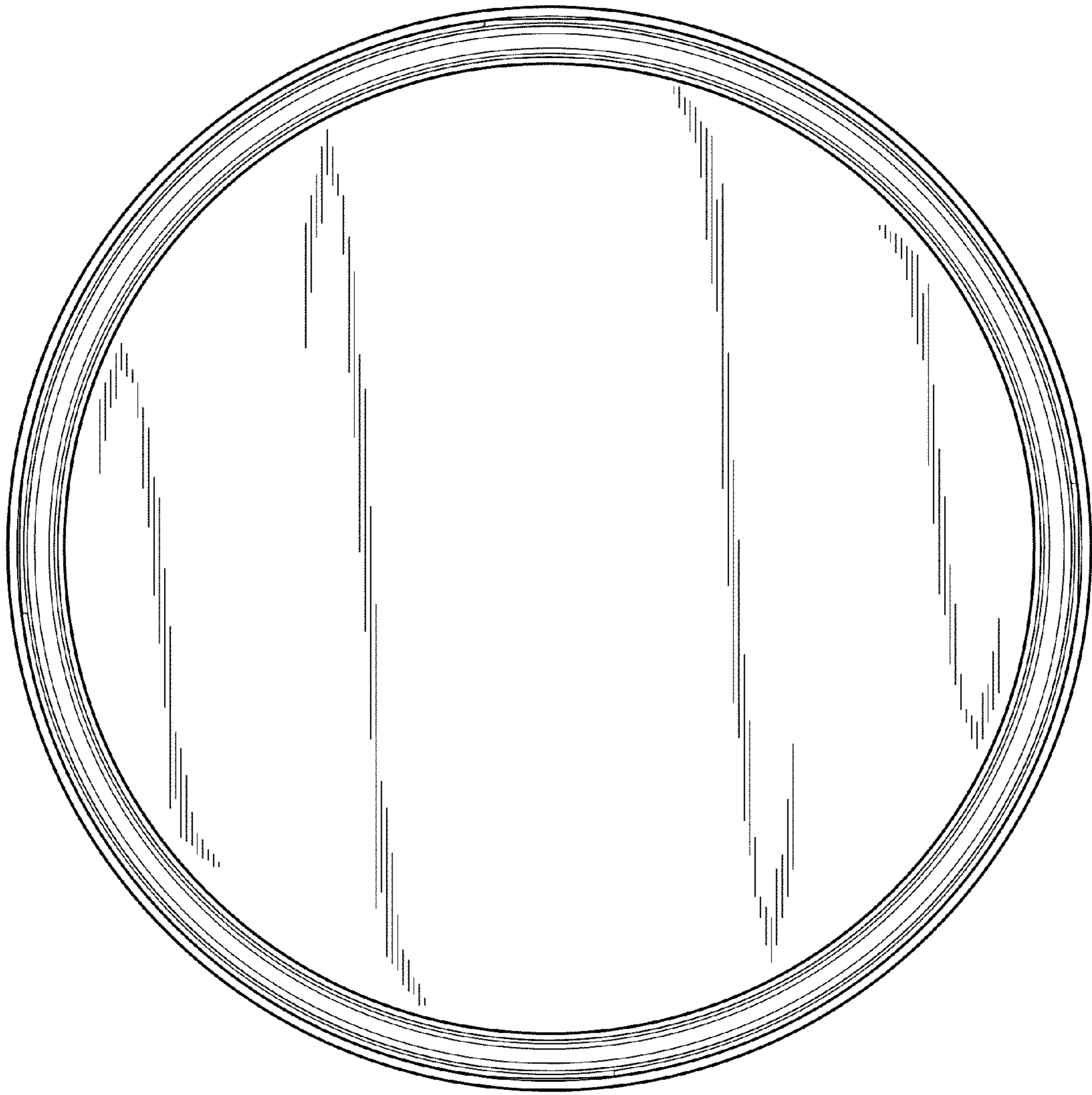


FIG. 3

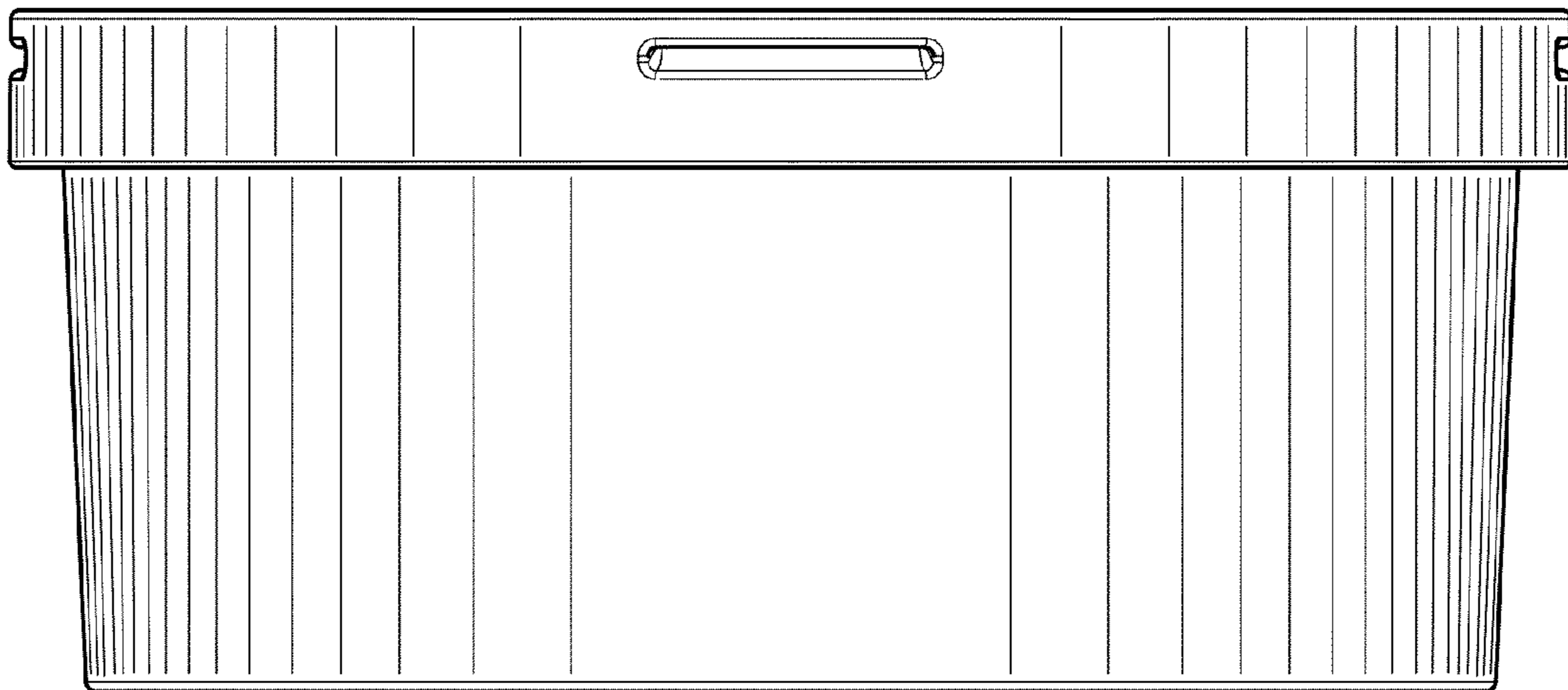


FIG. 4

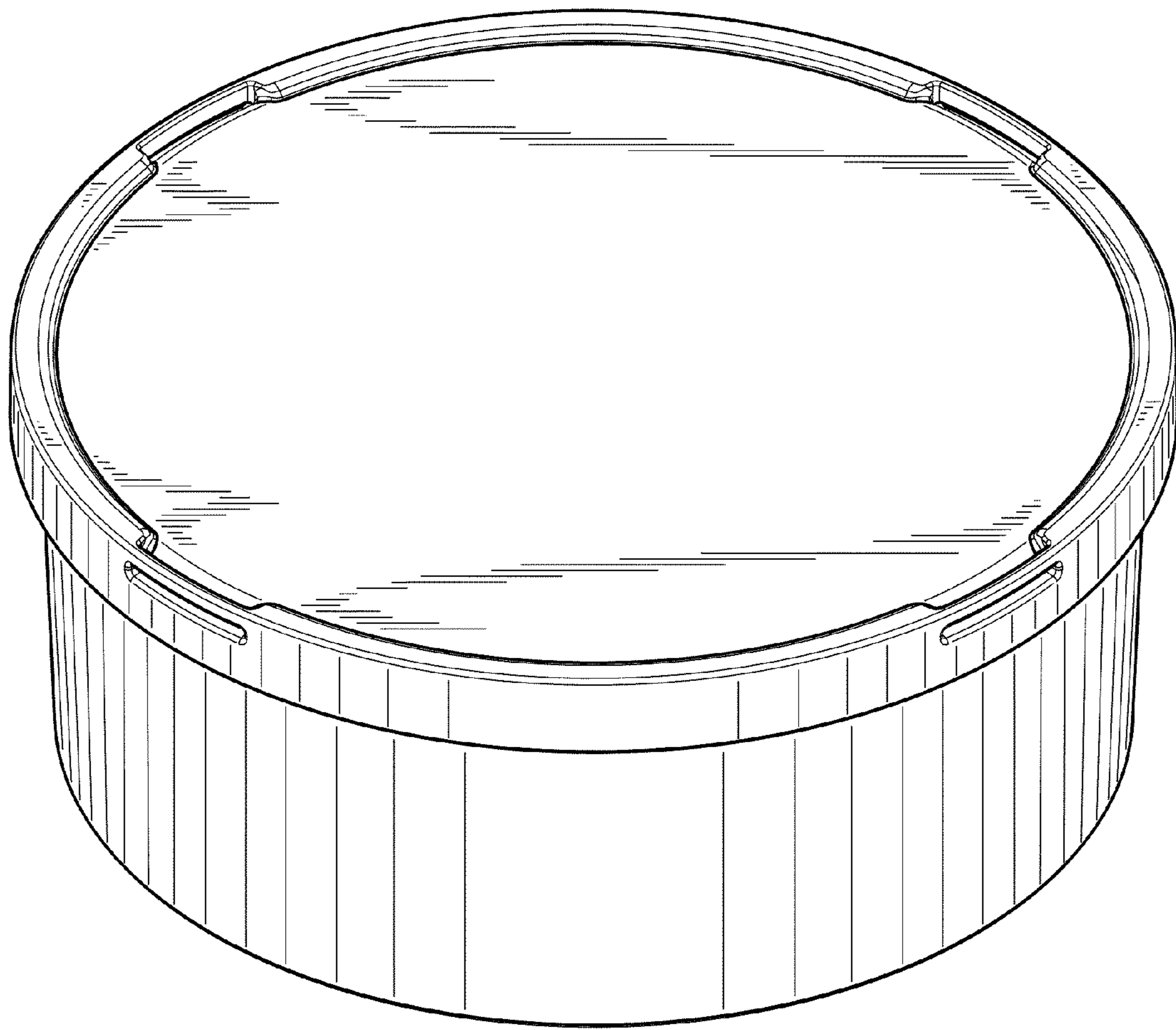


FIG. 5

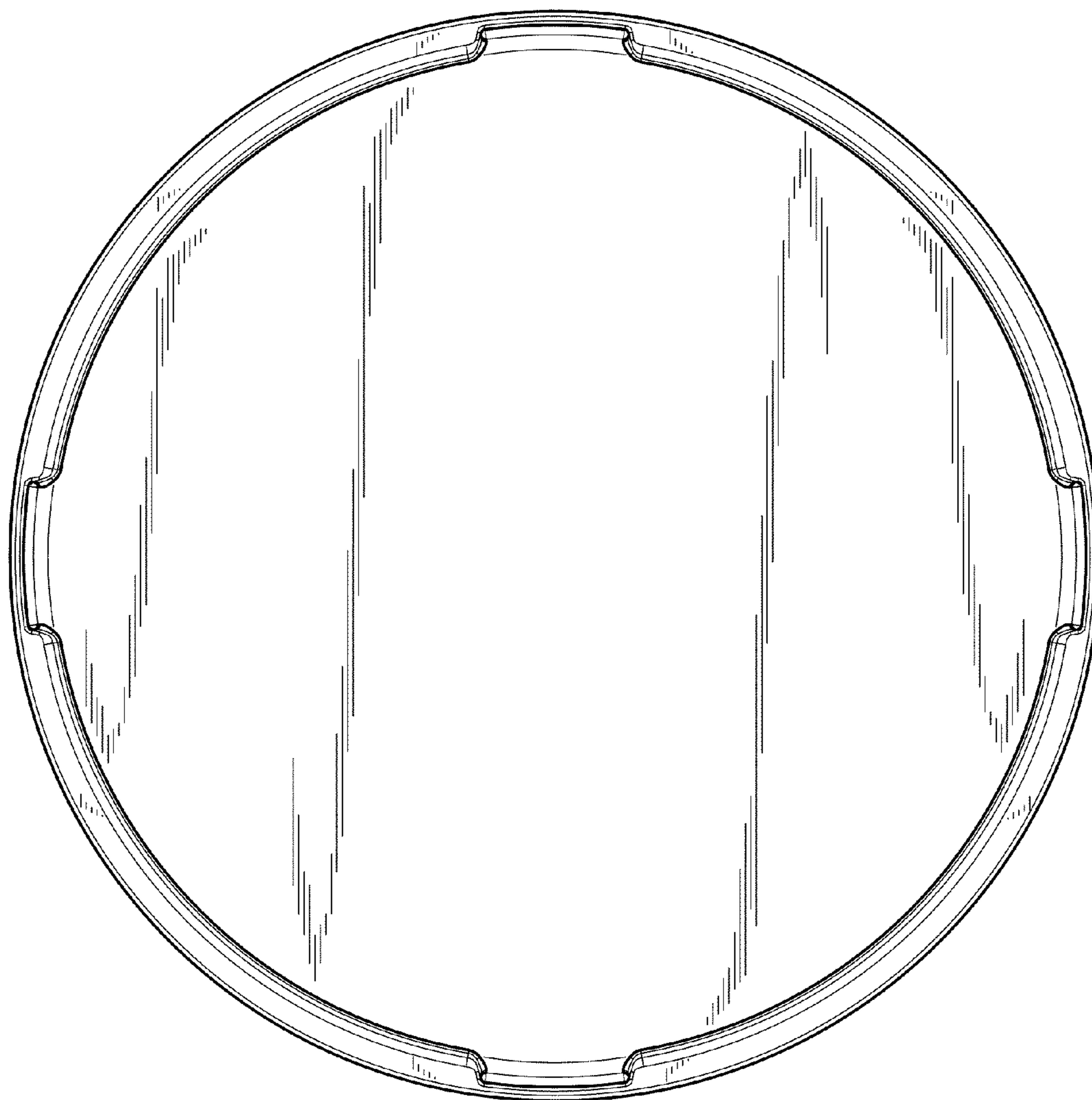


FIG. 6

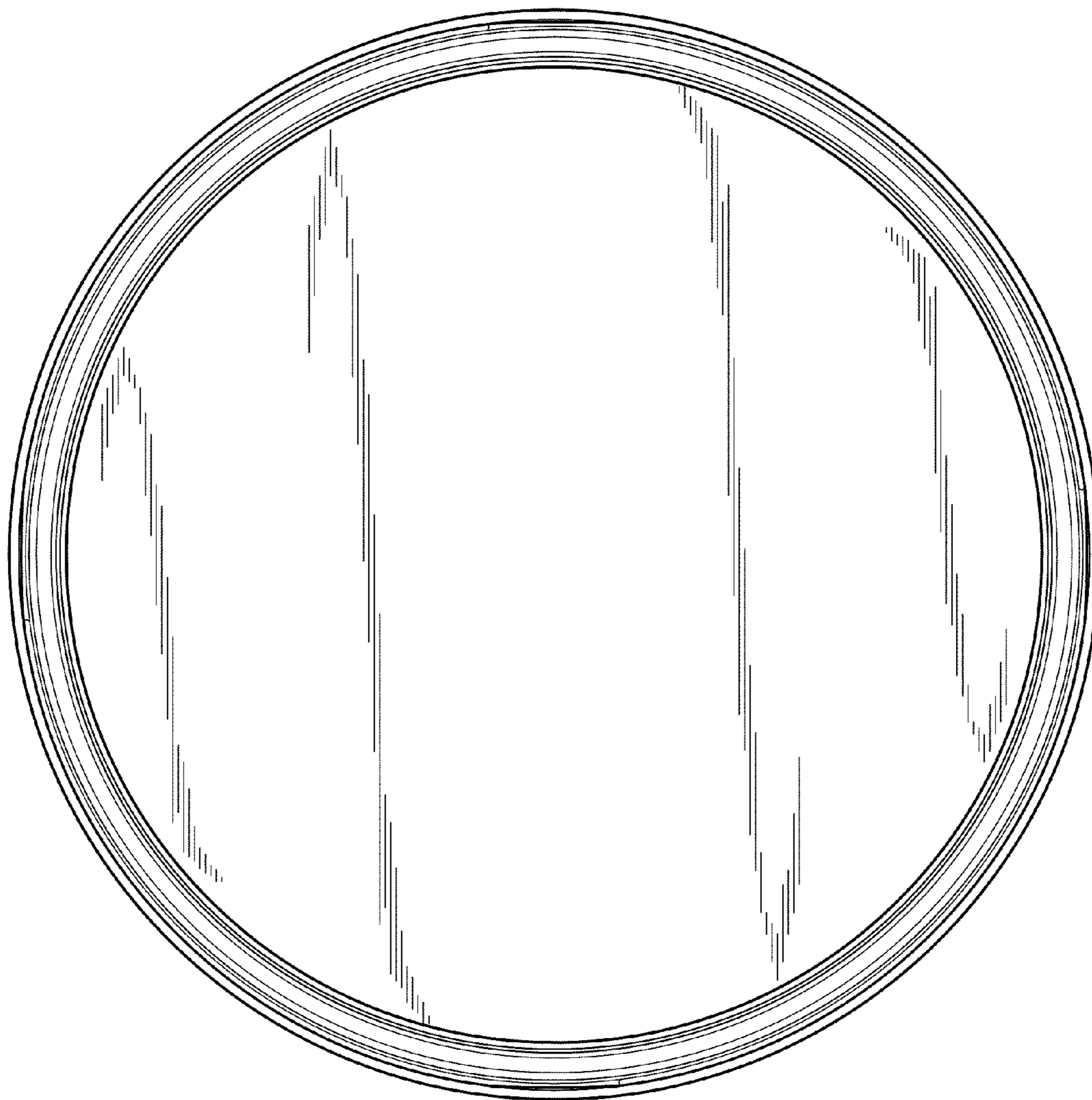


FIG. 7

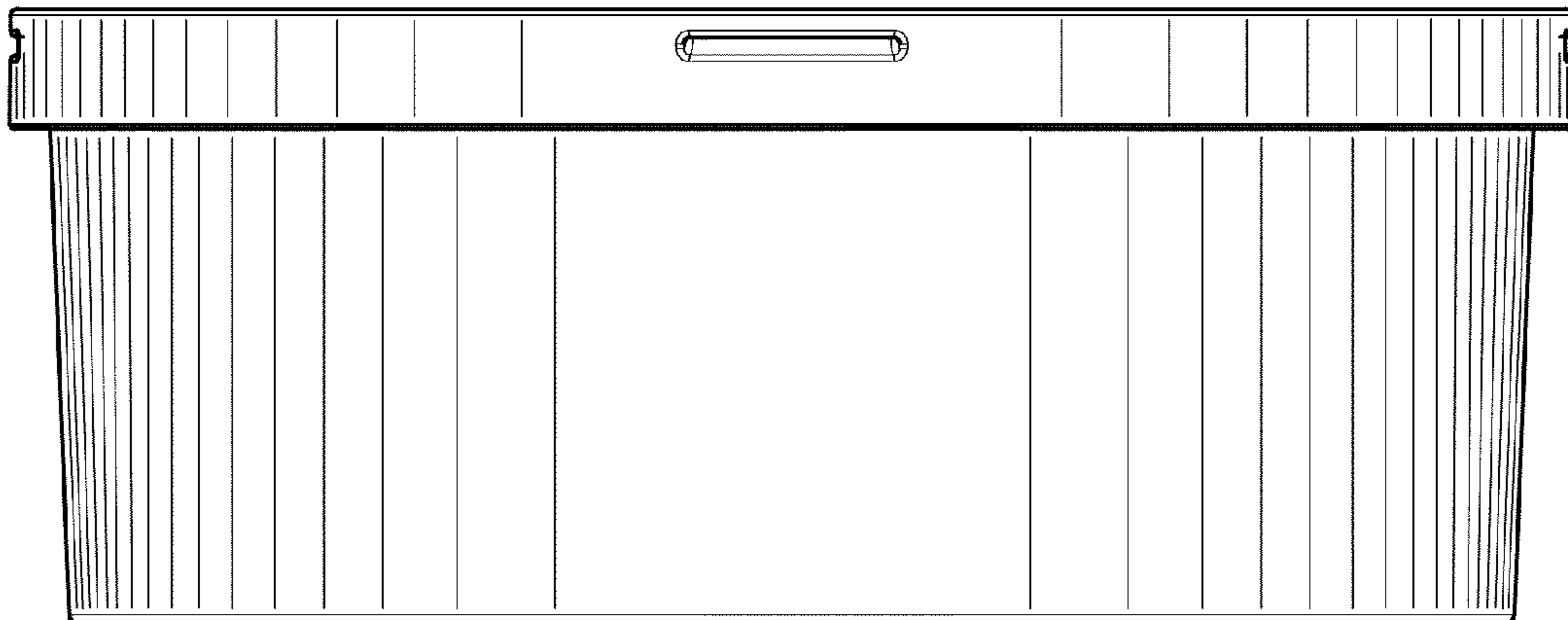


FIG. 8

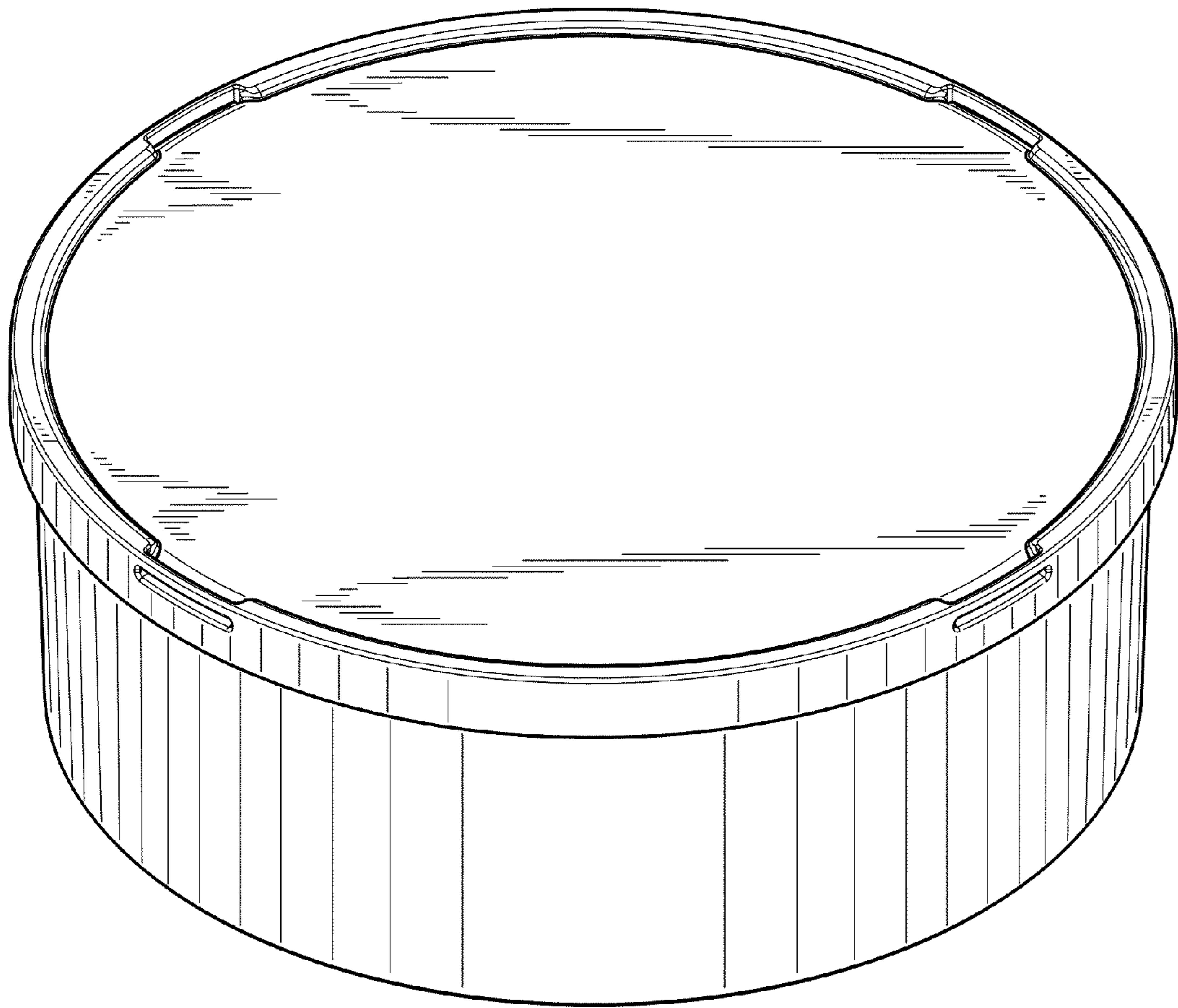


FIG. 9

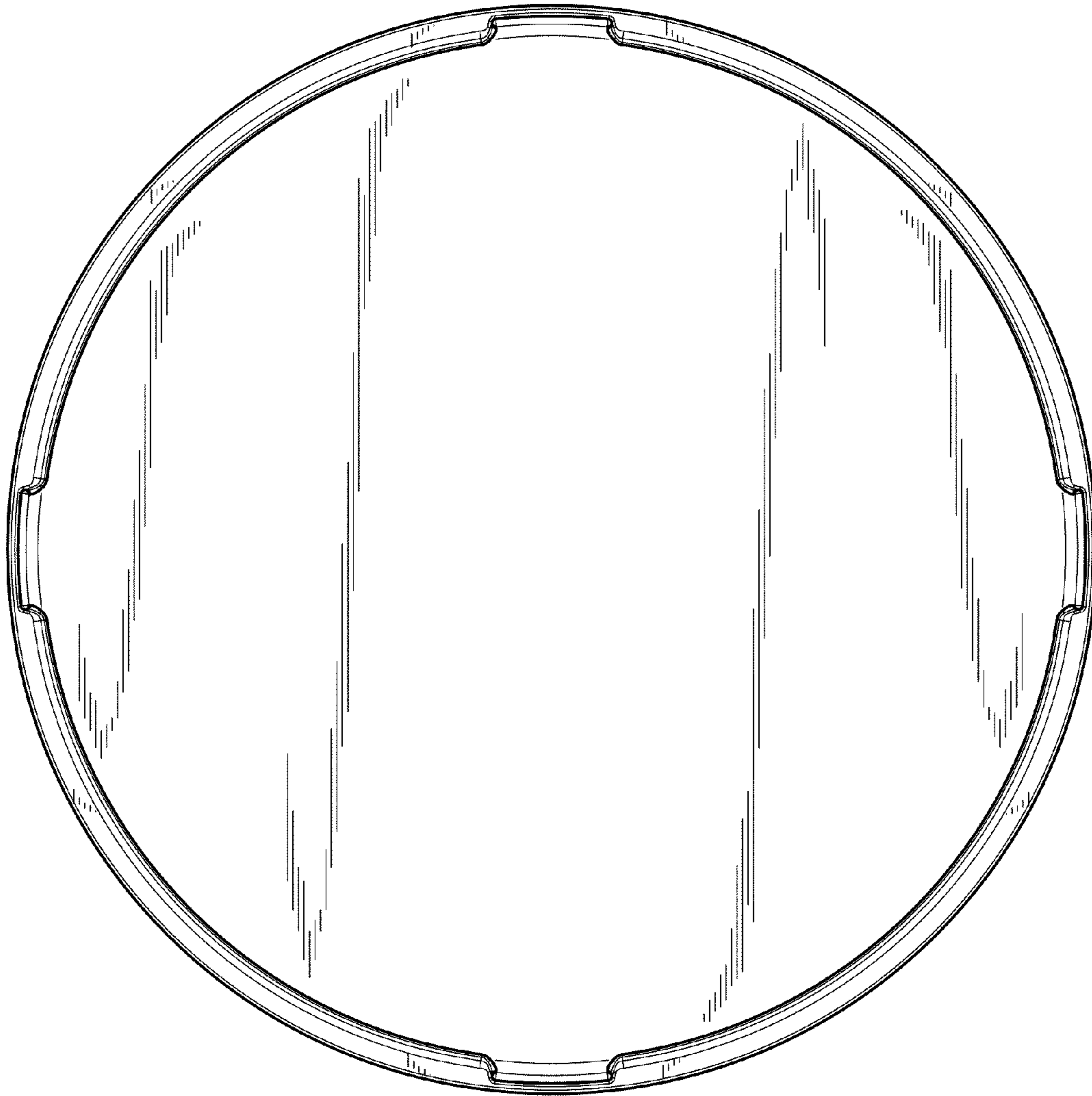


FIG. 10

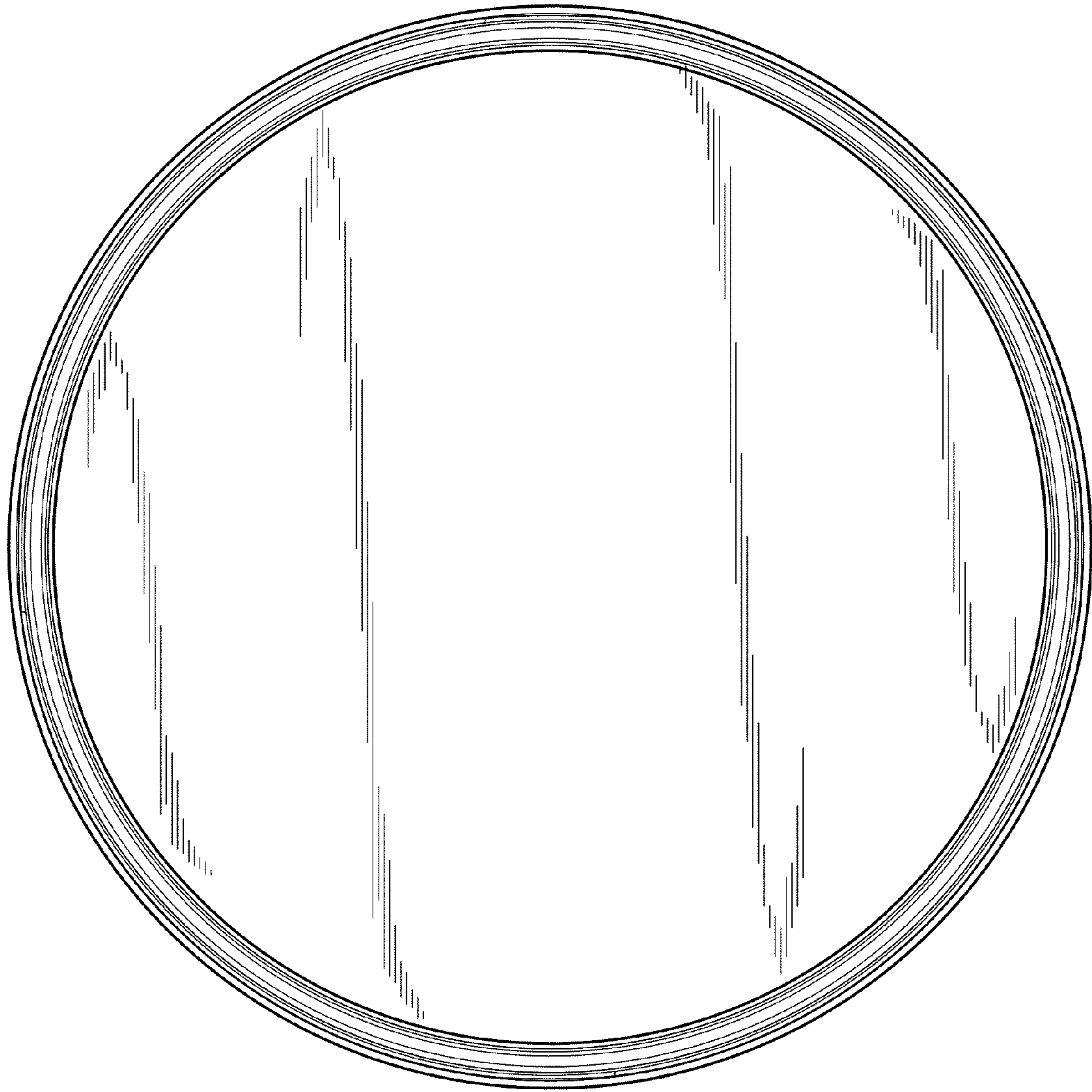


FIG. 11

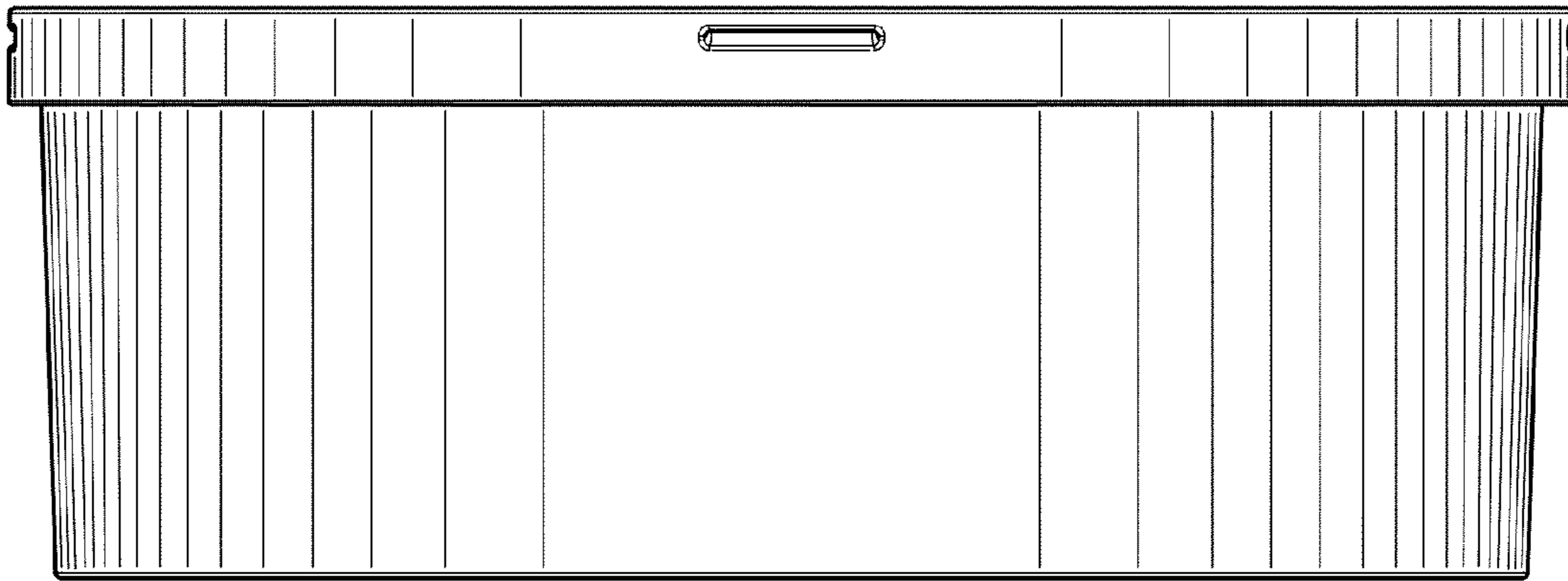


FIG. 12