



US00D634982S

(12) **United States Design Patent**
Melchert et al.

(10) **Patent No.:** **US D634,982 S**
(45) **Date of Patent:** **** Mar. 29, 2011**

(54) **TRANSPARENT PORTABLE COOLER**

(76) Inventors: **Estella M. Melchert**, Augusta, GA (US);
David H. Melchert, Augusta, GA (US)

(**) Term: **14 Years**

(21) Appl. No.: **29/360,172**

(22) Filed: **Apr. 21, 2010**

(51) **LOC (9) Cl.** **07-01**

(52) **U.S. Cl.** **D7/605**

(58) **Field of Classification Search** D7/601-608,
D7/629, 393, 394, 395, 538-549; 62/457.1-457.9,
62/371, 372, 459; 220/592.02, 592.03, 592.24,
220/592.25, 915.1, 915.2, 902, 903
See application file for complete search history.

(56) **References Cited**

U.S. PATENT DOCUMENTS

591,581	A *	10/1897	Andrews	217/130
1,998,681	A *	4/1935	Littleford, Jr.	62/457.1
D197,814	S *	3/1964	Piker	D7/605
D232,798	S *	9/1974	Roche	D7/605
D235,195	S *	5/1975	Sauey et al.	D3/294
4,024,731	A *	5/1977	Branscum	62/457.2
4,047,633	A	9/1977	Trombly	
D257,934	S *	1/1981	Buss	D7/605
4,499,998	A *	2/1985	Carlson	206/541
D284,254	S *	6/1986	Carlson	D7/629
4,917,256	A *	4/1990	Kruck et al.	220/4.28
D309,406	S *	7/1990	Ridings	D7/605
5,064,088	A	11/1991	Steffes	
D327,203	S *	6/1992	Kahl	D7/605
5,259,215	A *	11/1993	Rocca	62/371
5,284,023	A	2/1994	Silva et al.	
D357,161	S *	4/1995	Booten	D7/605
D369,722	S *	5/1996	Lopez et al.	D7/605

D373,953	S *	9/1996	Gale	D7/605
5,622,276	A *	4/1997	Simmons	220/6
D396,048	S	7/1998	Meehan	
D403,925	S *	1/1999	Moffett et al.	D7/605
5,975,334	A *	11/1999	Mayo	220/592.03
D437,736	S *	2/2001	Moffett et al.	D7/605
D448,625	S *	10/2001	Moffett et al.	D7/605
6,415,928	B1	7/2002	Giacci	
D497,518	S	10/2004	Bellofatto, Jr. et al.	
D502,059	S *	2/2005	Bukowski et al.	D7/605
D515,360	S *	2/2006	Moisdon	D7/605
D520,305	S	5/2006	Brodock et al.	
7,066,347	B2	6/2006	Slovak et al.	
7,147,125	B1 *	12/2006	Slovak et al.	220/592.2
D560,102	S *	1/2008	Sumter	D7/605
D566,479	S *	4/2008	Kabalin	D7/605
D584,053	S	1/2009	Abdo et al.	
D587,072	S *	2/2009	Friedman et al.	D7/605
2006/0279947	A1 *	12/2006	Henley et al.	362/154

* cited by examiner

Primary Examiner — Stella M Reid

Assistant Examiner — Elizabeth J Oswecki

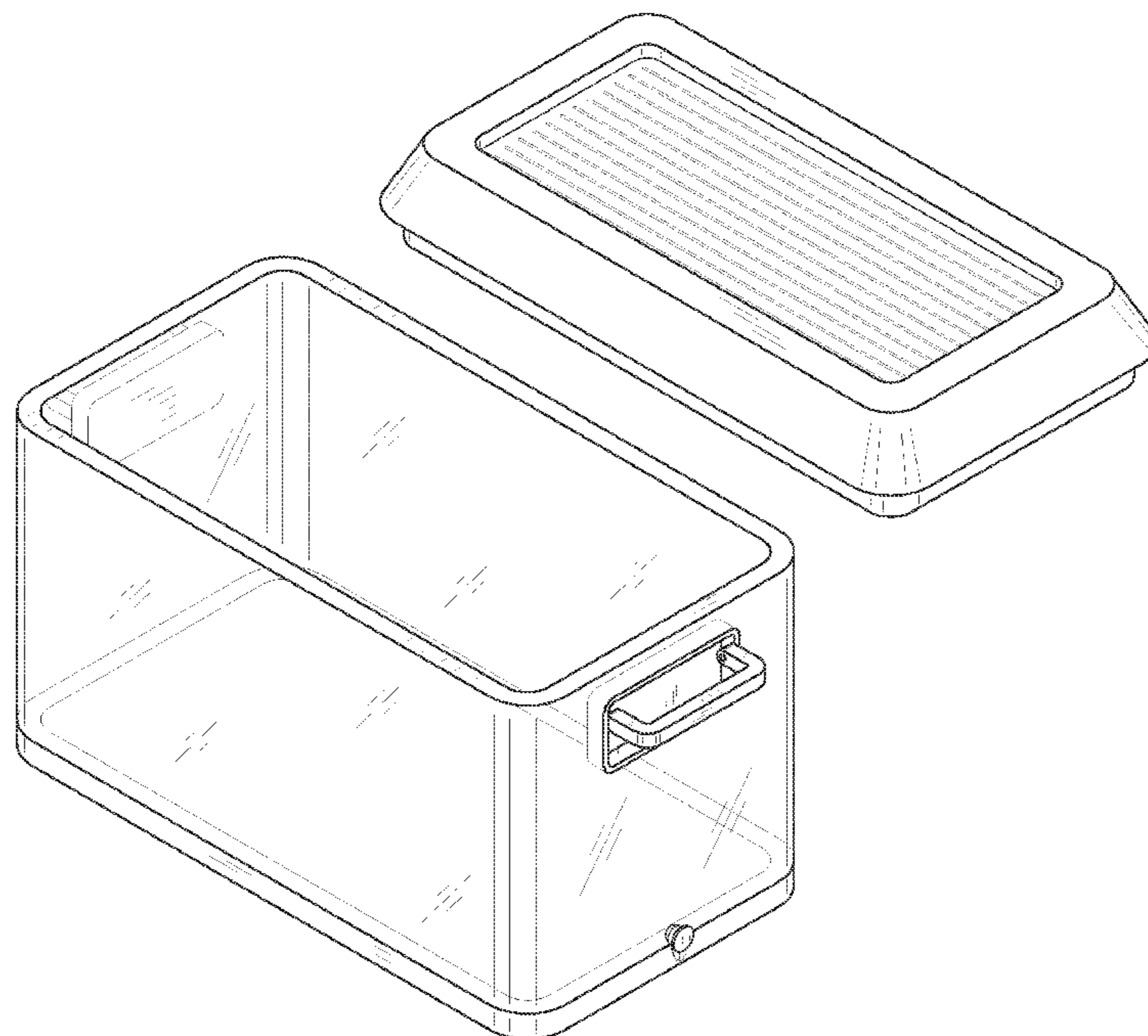
(57) **CLAIM**

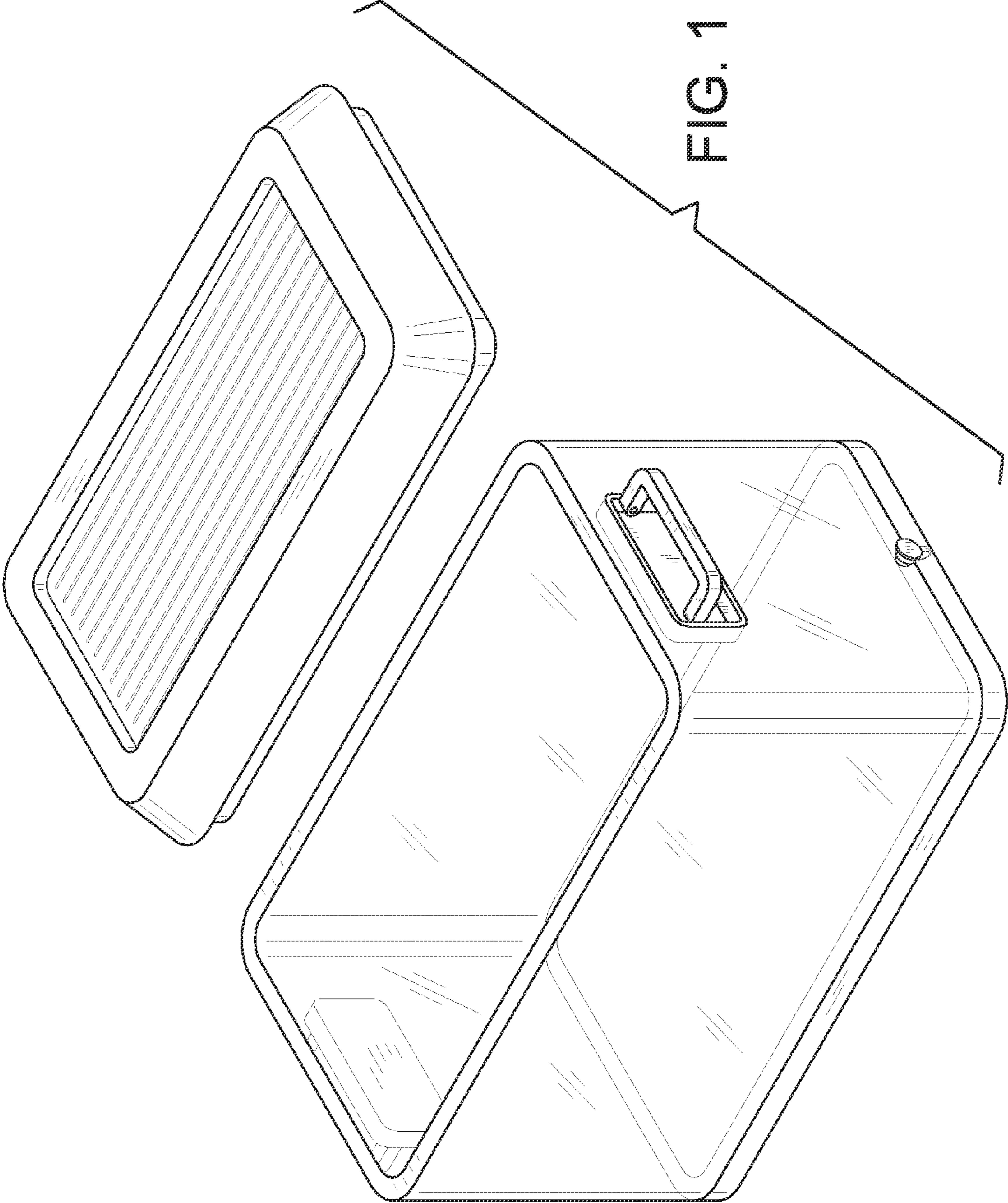
The ornamental design for a transparent portable cooler, as shown and described.

DESCRIPTION

FIG. 1 is an exploded perspective view of a transparent portable cooler showing my new design; FIG. 2 is an exploded side view thereof, the opposite exploded side view being a mirror image thereof; FIG. 3 is an exploded back view thereof; FIG. 4 is an exploded front view thereof; FIG. 5 is an exploded top view thereof; and, FIG. 6 is an exploded bottom view thereof.

1 Claim, 5 Drawing Sheets





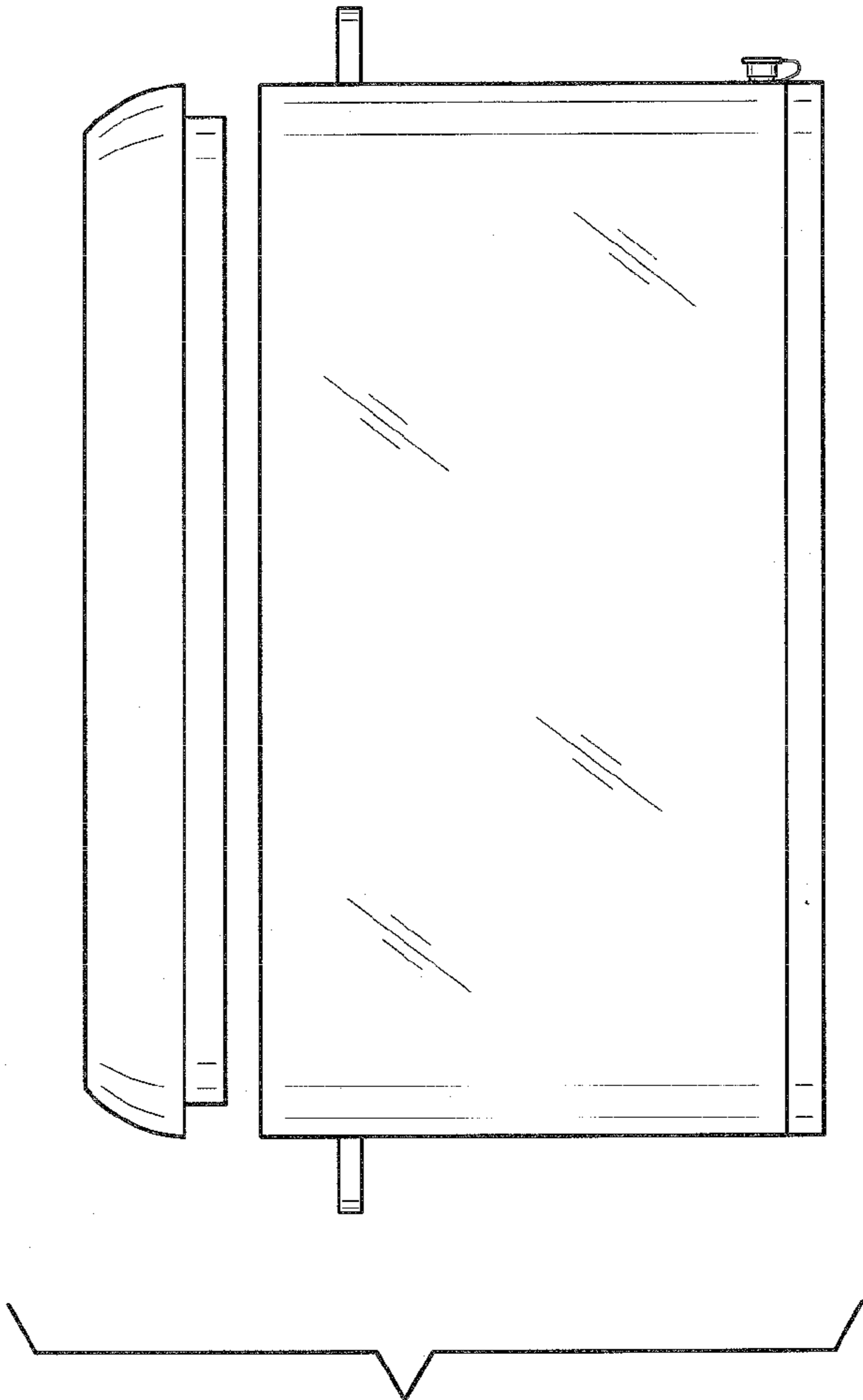
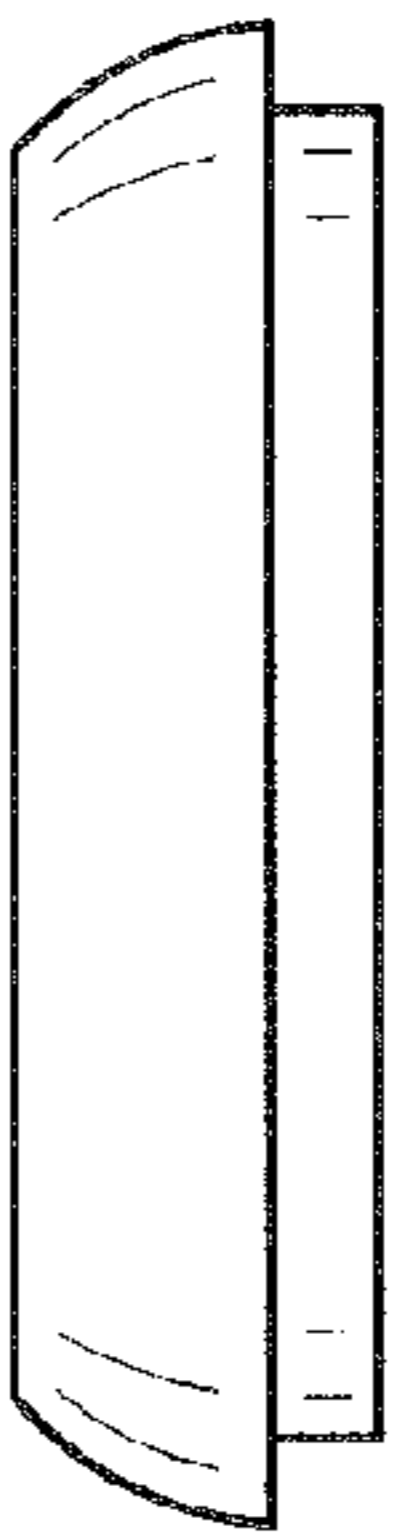
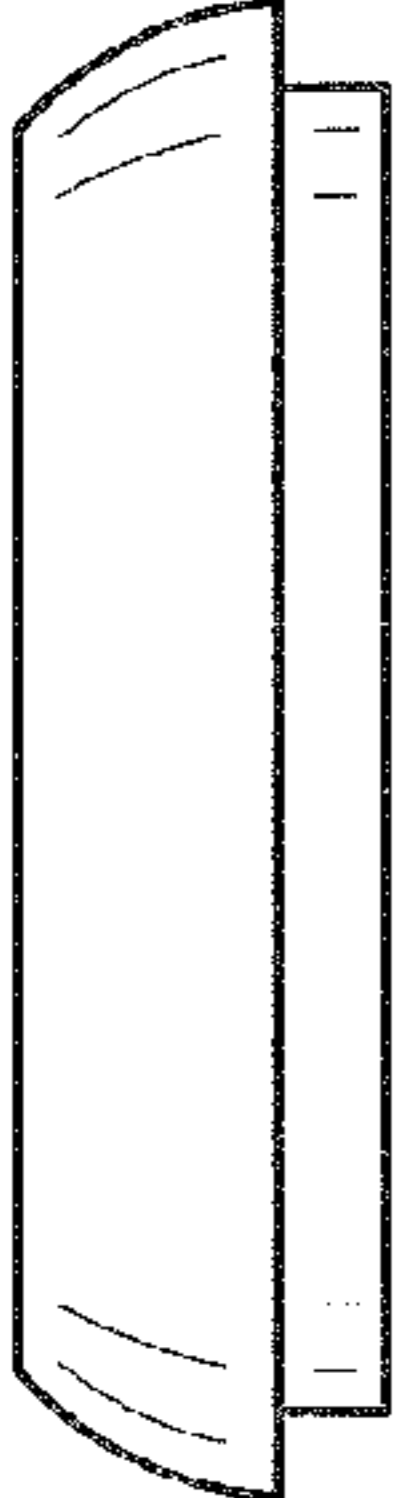
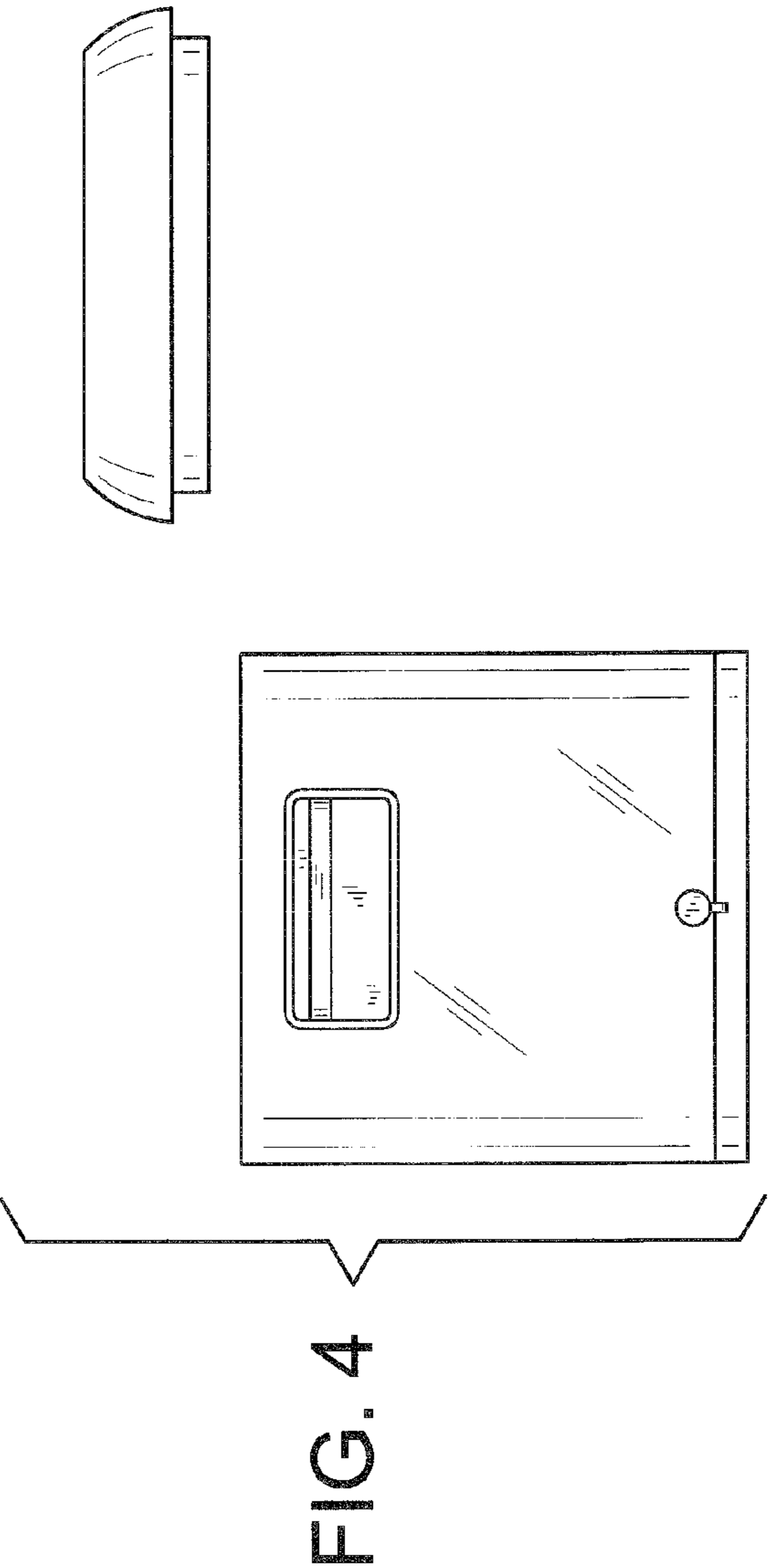
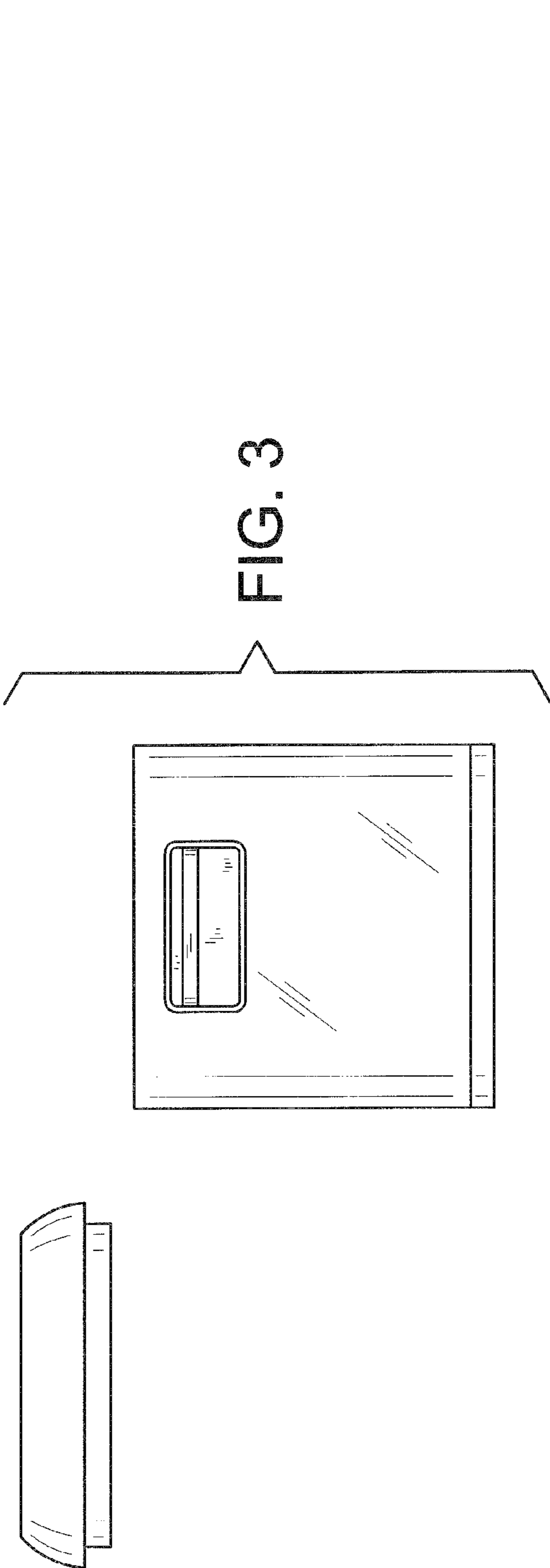


FIG. 2



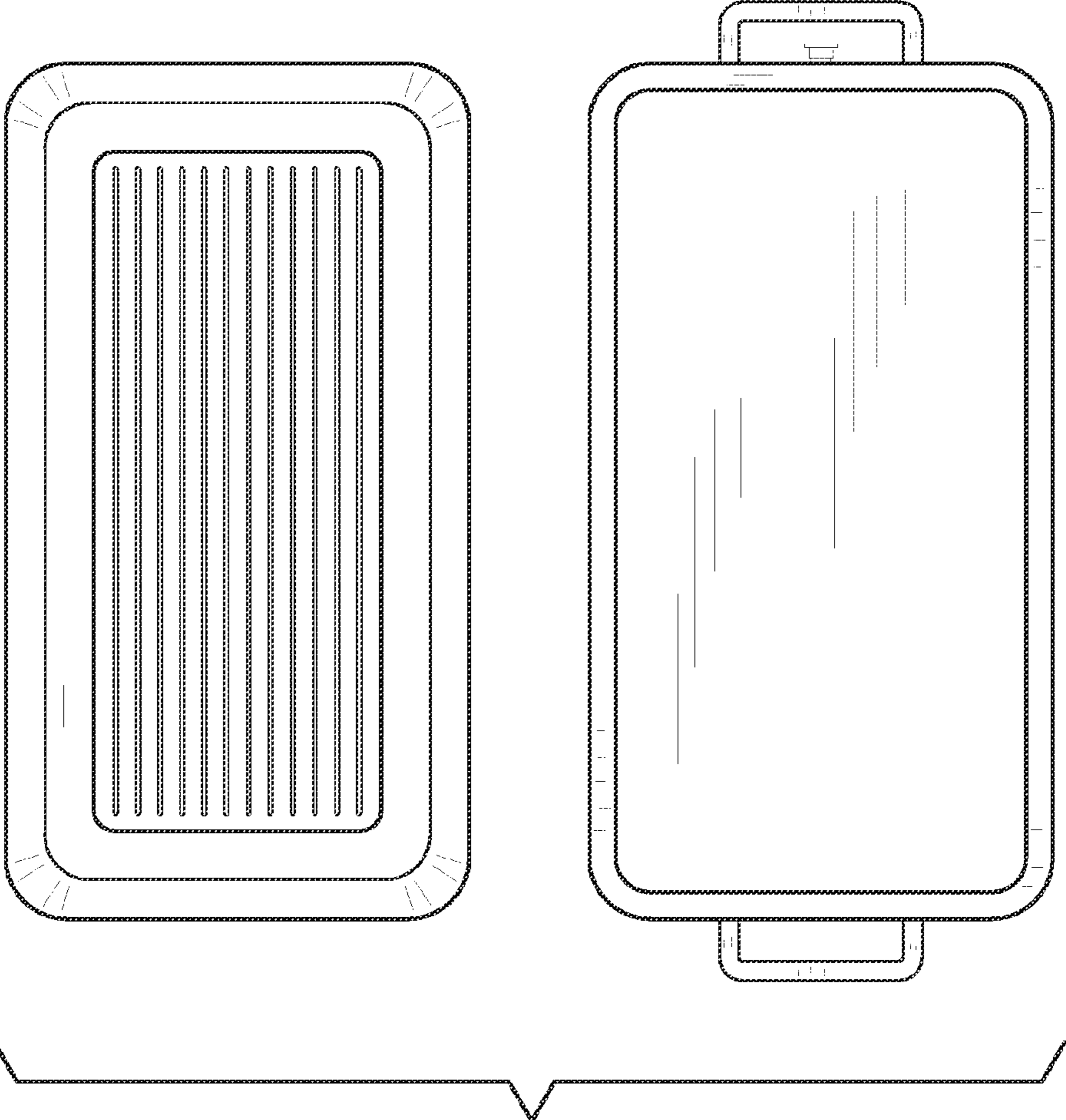


FIG. 5

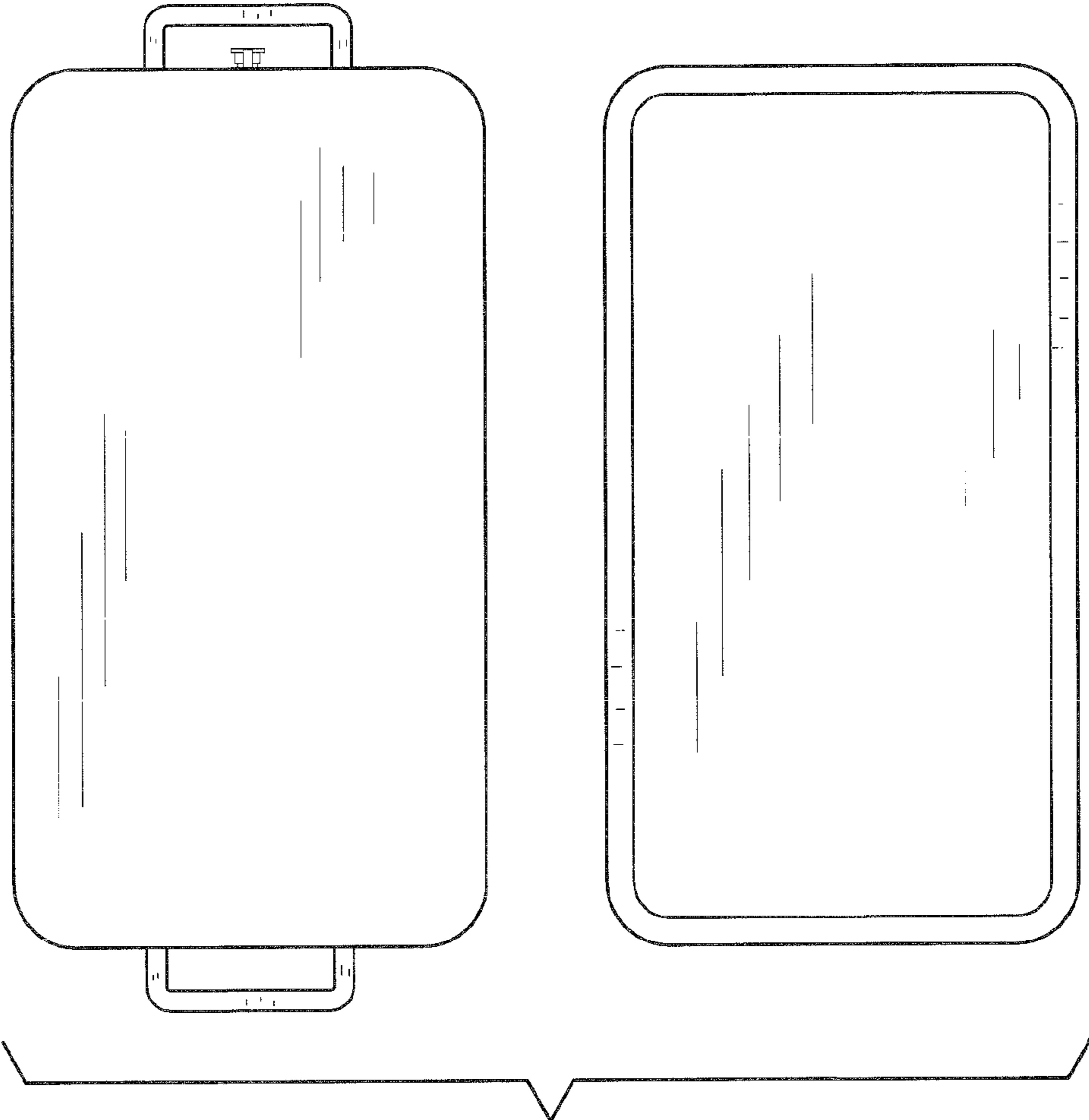


FIG. 6