



US00D634979S

(12) **United States Design Patent**  
**Tiemann**

(10) **Patent No.:** **US D634,979 S**  
(45) **Date of Patent:** **\*\* Mar. 29, 2011**

- (54) **TWO-TIER COFFEE POD HOLDER**
- (75) Inventor: **Frank R. Tiemann**, Madison Lake, MN (US)
- (73) Assignee: **Nifty Home Products, Inc.**, Madison Lake, MN (US)
- (\*\*) Term: **14 Years**

D386,363 S *	11/1997	Dardashti	.....	D7/704
D536,936 S	2/2007	Tiemann		
D541,604 S *	5/2007	Goodman et al.	.....	D7/704
D590,183 S *	4/2009	Hensel	.....	D6/457
D609,057 S	2/2010	Hertaus		
D609,533 S	2/2010	Tiemann		
D621,640 S	8/2010	Tiemann		
D626,382 S	11/2010	Tiemann		
2003/0178381 A1 *	9/2003	Liang	.....	211/74
2007/0017884 A1 *	1/2007	Yang	.....	211/74

- (21) Appl. No.: **29/376,549**
  - (22) Filed: **Oct. 8, 2010**
  - (51) **LOC (9) Cl.** ..... **07-06**
  - (52) **U.S. Cl.** ..... **D7/600.4; D7/704**
  - (58) **Field of Classification Search** ..... D7/600.1-600.4, D7/601, 701, 704, 707, 708; D6/464, 449, D6/458, 466, 512, 534, 457, 552, 469, 468, D6/467, 462, 495, 463; 211/71.1, 71.01, 211/74, 75, 60.1, 70.7, 85.31, 191.1, 106, 211/128.1, 133.2
- See application file for complete search history.

*Primary Examiner* — Terry A Wallace  
 (74) *Attorney, Agent, or Firm* — Thomas J. Nikolai; Nikolai & Mersereau, P.A.

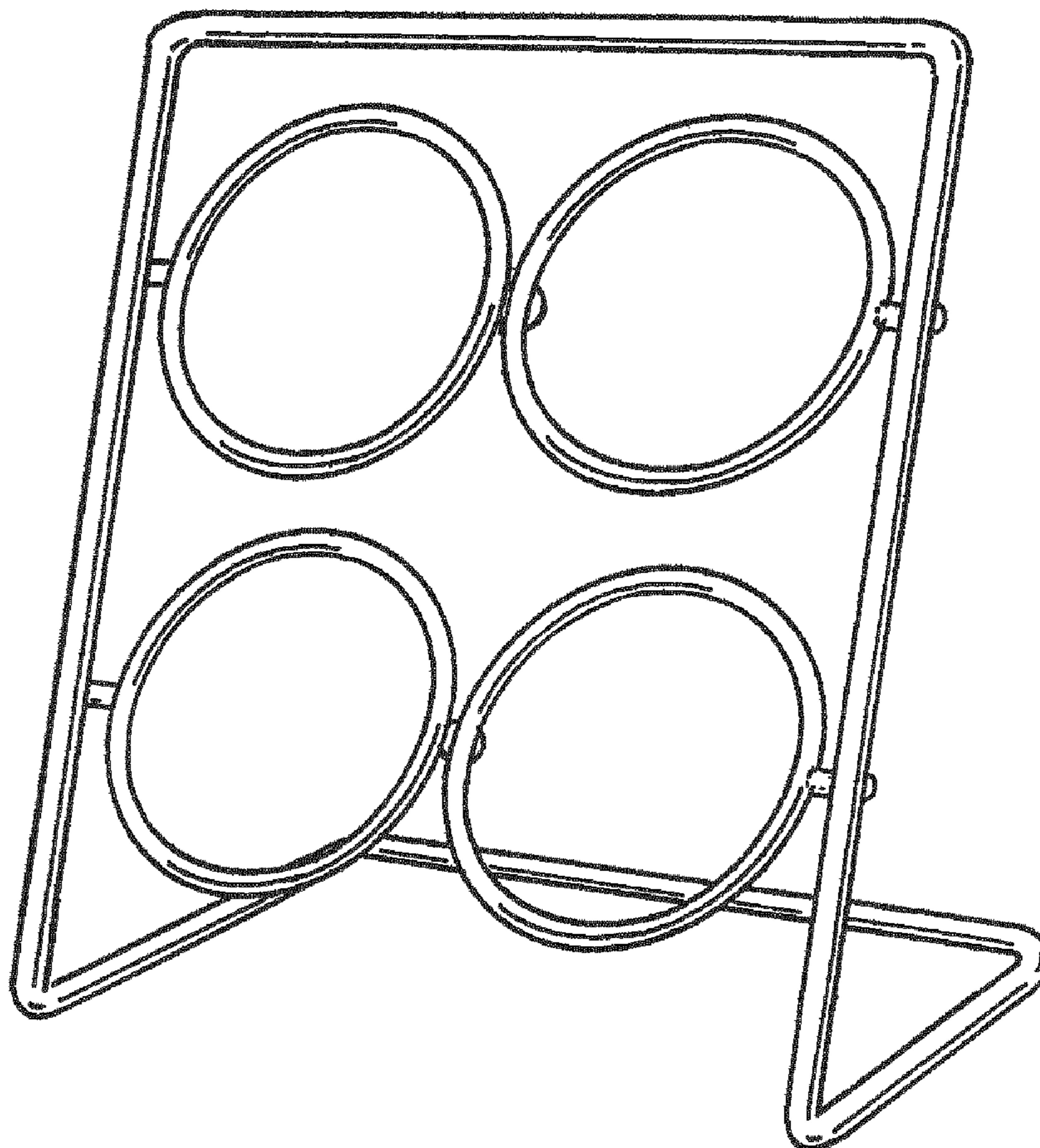
(57) **CLAIM**  
 The ornamental design for the “two-tier coffee pod holder,” as shown and described.

**DESCRIPTION**

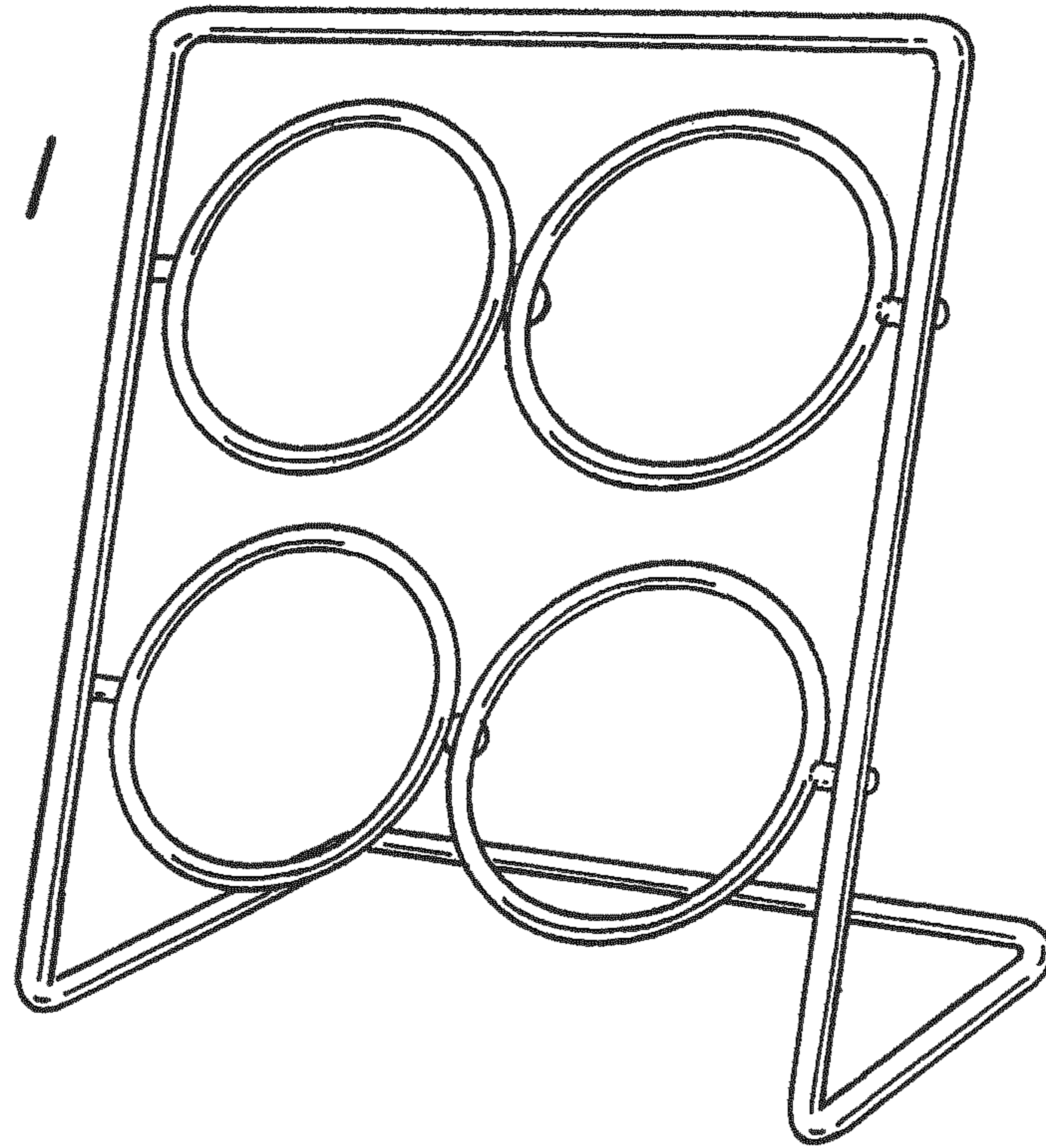
FIG. 1 is a perspective view of the two-tier coffee pod holder; FIG. 2 is a front view thereof; FIG. 3 is a top view thereof; FIG. 4 is a back view thereof; FIG. 5 is a side view thereof; FIG. 6 is a second side view thereof; and, FIG. 7 is a bottom view thereof.

- (56) **References Cited**
- U.S. PATENT DOCUMENTS
- |              |        |               |       |        |
|--------------|--------|---------------|-------|--------|
| D297,063 S * | 8/1988 | Baldwin       | ..... | D6/464 |
| D317,095 S * | 5/1991 | Albers et al. | ..... | D6/464 |

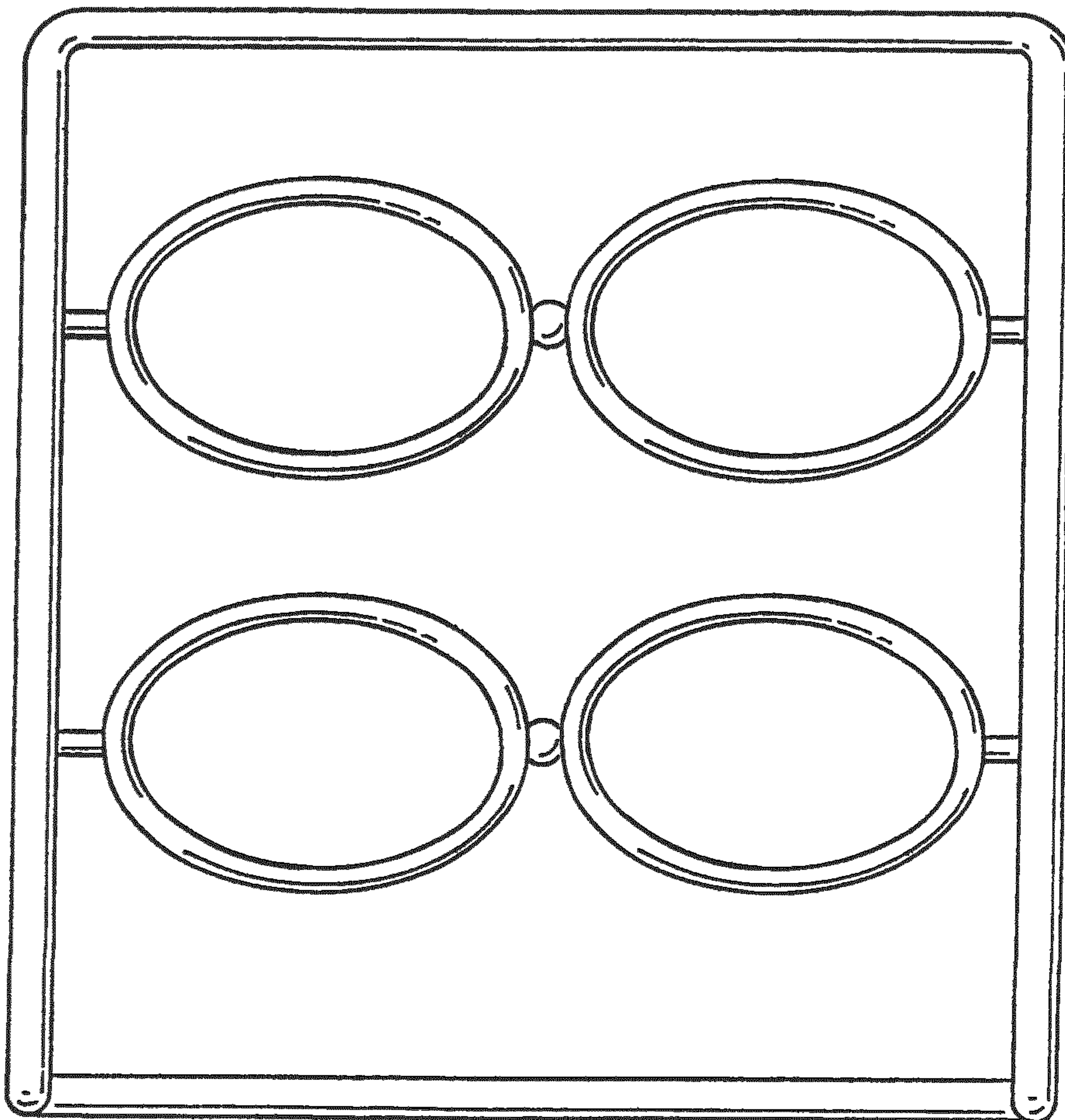
**1 Claim, 3 Drawing Sheets**



*FIG. 1*

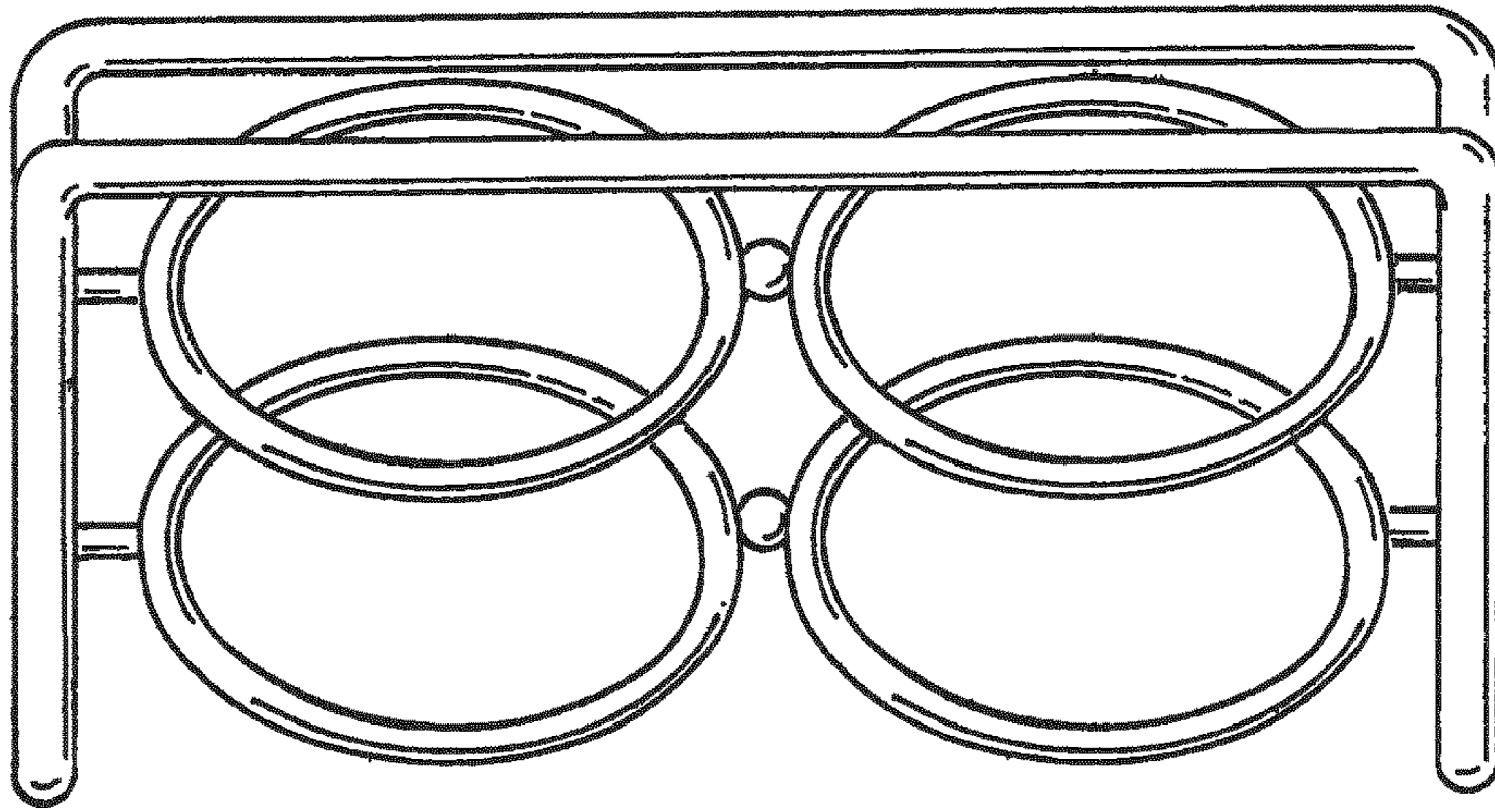


*FIG. 2*

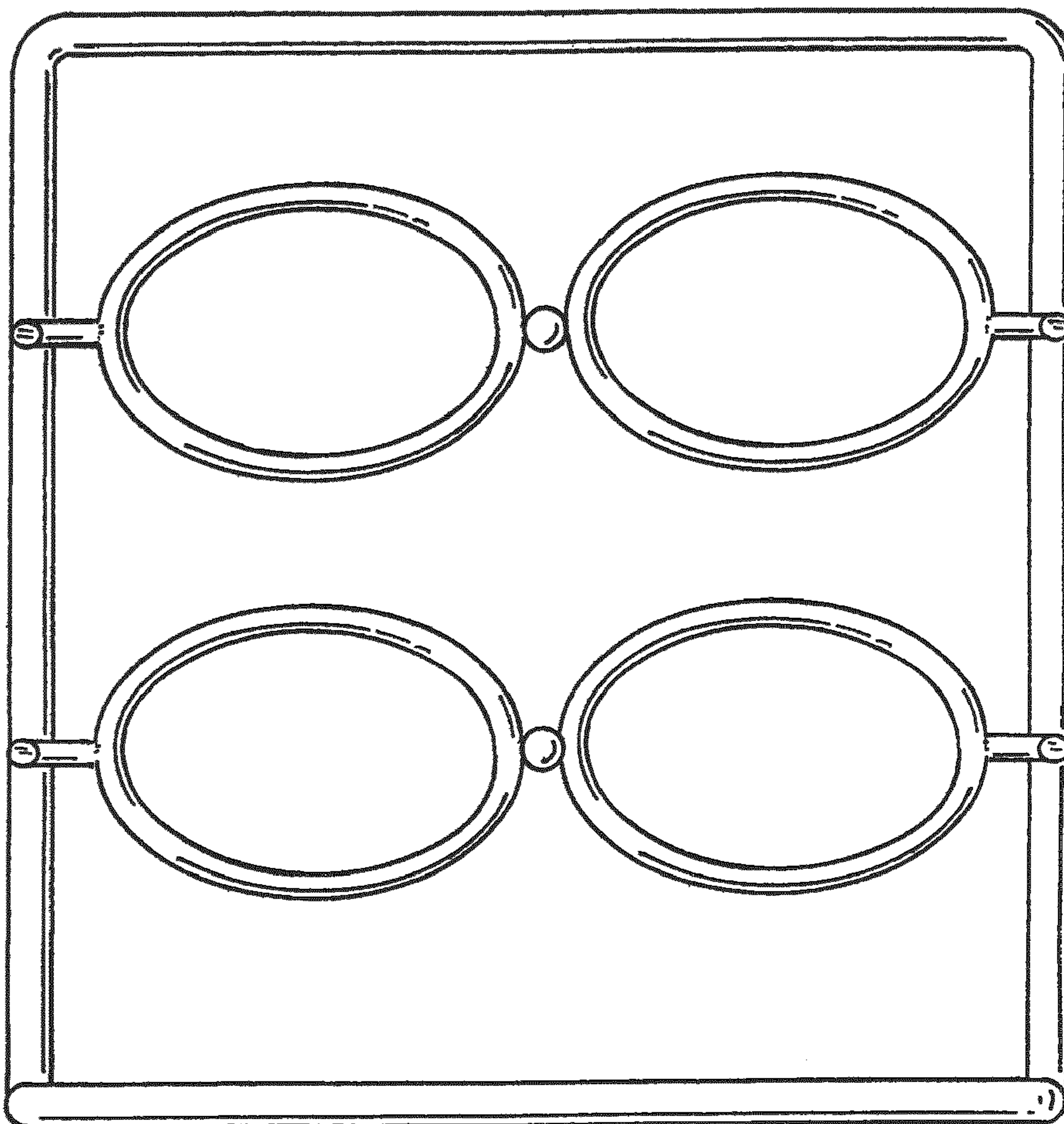


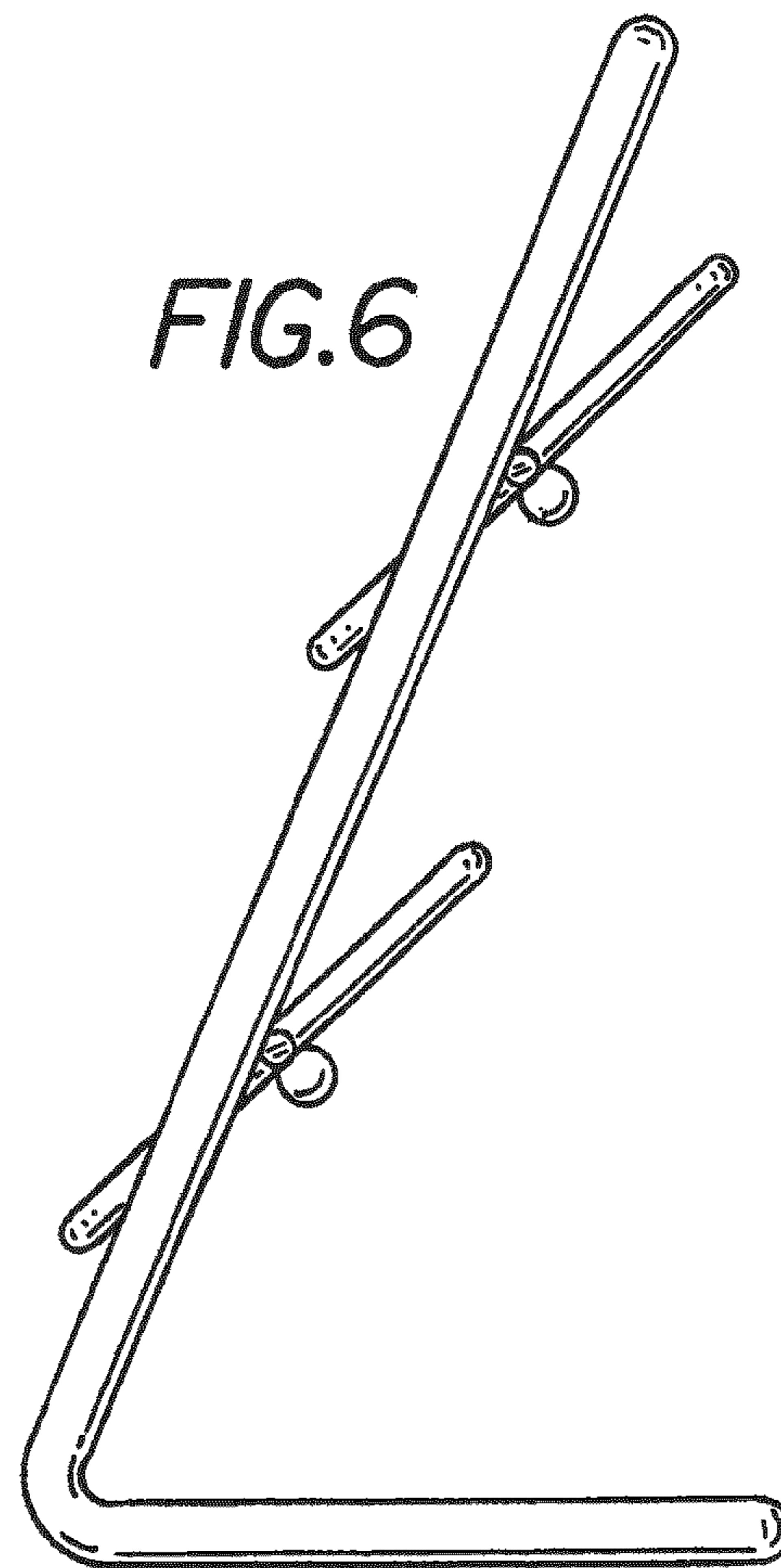
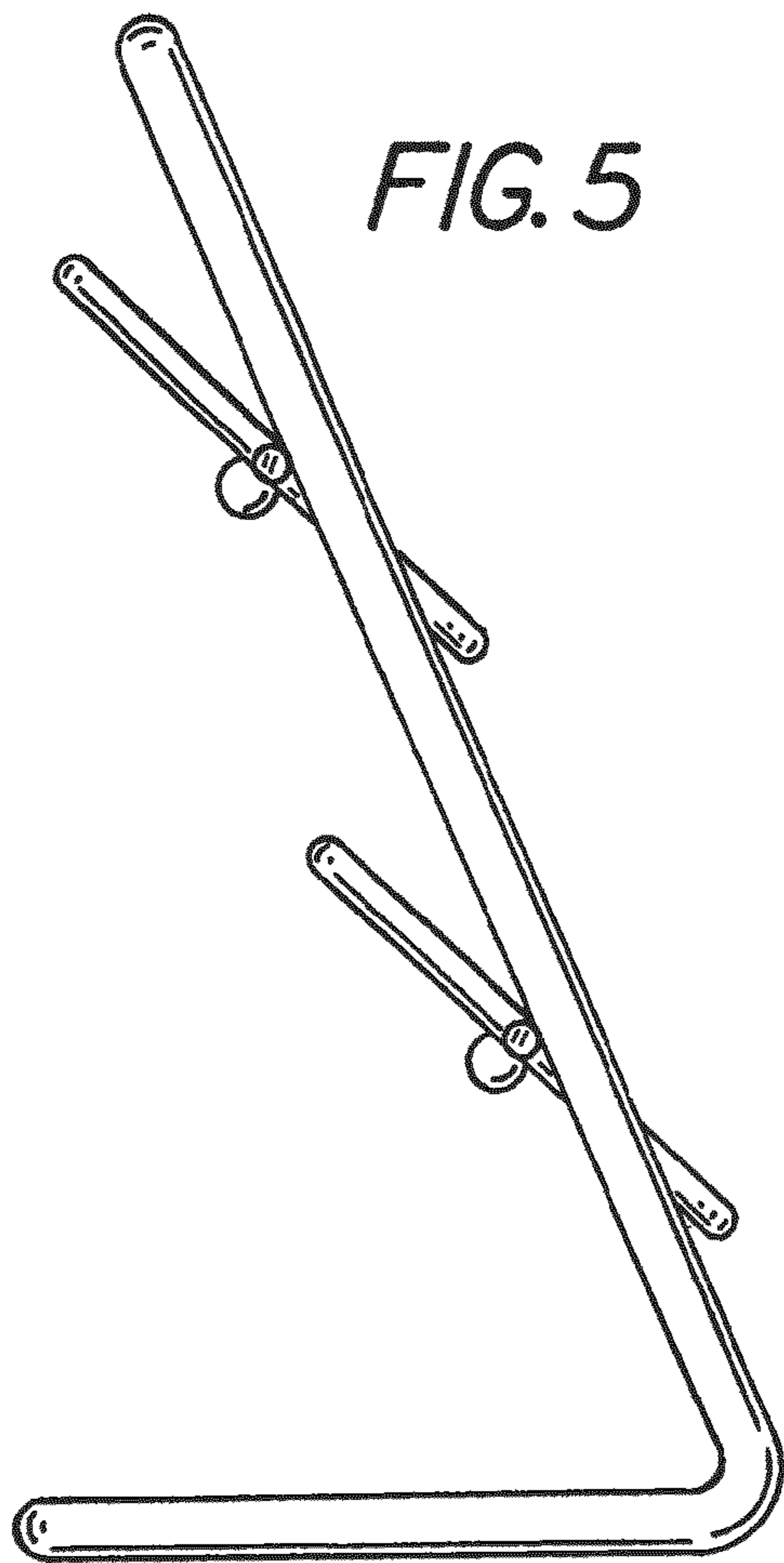


*FIG. 3*

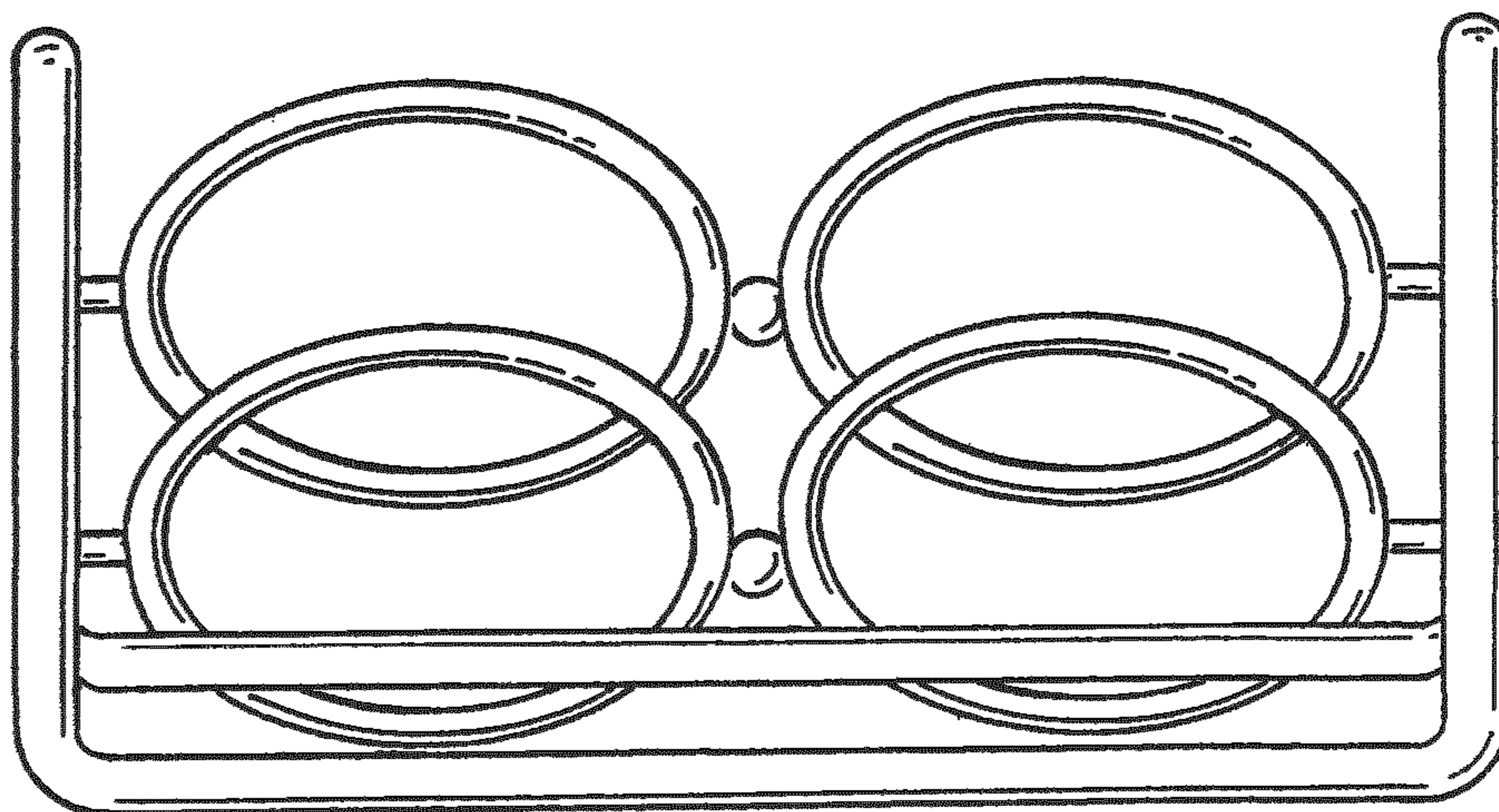


*FIG. 4*





*FIG. 7*



UNITED STATES PATENT AND TRADEMARK OFFICE  
**CERTIFICATE OF CORRECTION**

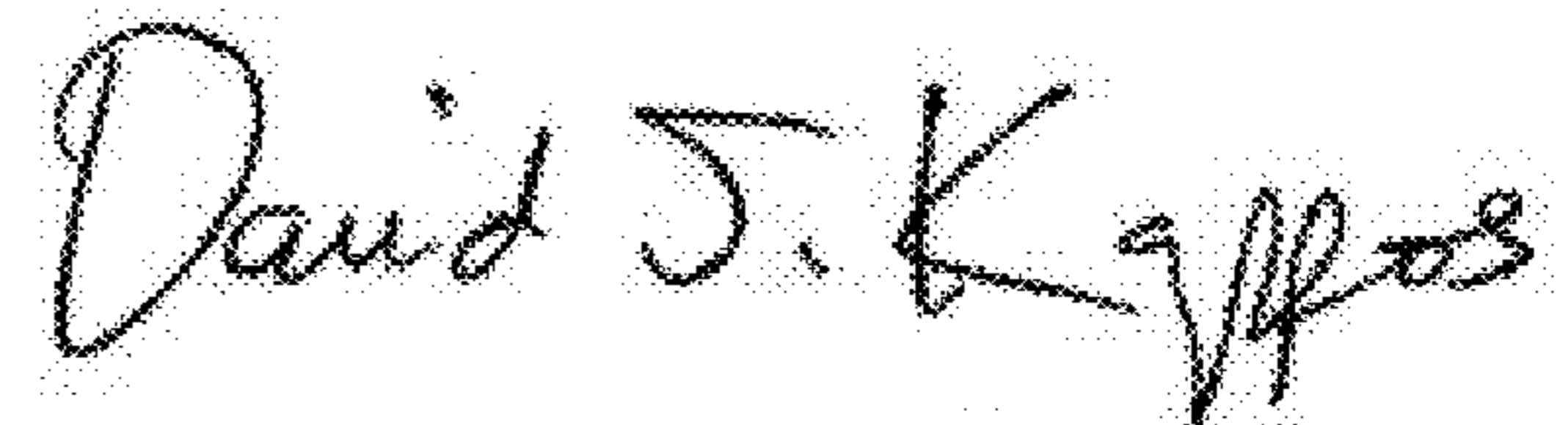
PATENT NO. : D634,979 S  
APPLICATION NO. : 29/376549  
DATED : March 29, 2011  
INVENTOR(S) : Frank R. Tiemann

Page 1 of 2

It is certified that error appears in the above-identified patent and that said Letters Patent is hereby corrected as shown below:

Delete Drawing Sheet 3 of 3 and substitute therefore the attached Drawing Sheet 3 of 3 consisting of corrected FIG. 7.

Signed and Sealed this  
Twenty-fourth Day of May, 2011

A handwritten signature in black ink that reads "David J. Kappos". The signature is written in a cursive style with a large initial "D" and "K".

David J. Kappos  
*Director of the United States Patent and Trademark Office*



