



US00D634977S

(12) **United States Design Patent**  
**Mouquet**

(10) **Patent No.:** **US D634,977 S**  
(45) **Date of Patent:** **\*\* Mar. 29, 2011**

(54) **DECANTER**

(75) Inventor: **Philippe Mouquet**, Paris (FR)

(73) Assignee: **Compagnie des Arts de la Table**, Paris (FR)

(\*\*) Term: **14 Years**

(21) Appl. No.: **29/309,794**

(22) Filed: **Oct. 14, 2008**

(30) **Foreign Application Priority Data**

Apr. 15, 2008 (WO) ..... DM/069 988

(51) **LOC (9) Cl.** ..... **07-06**

(52) **U.S. Cl.** ..... **D7/598; D7/317; D9/504; D9/545**

(58) **Field of Classification Search** ..... D7/500,  
D7/507, 509-511, 300, 305, 589, 598, 601-602,  
D7/605, 608, 619.1; D9/500, 503-505, 529,  
D9/545, 549, 558, 682, 686, 688-691, 766-767,  
D9/444, 454; 220/62.11, 62.12, 660, 662-663,  
220/665, 694, 703, 711

See application file for complete search history.

(56) **References Cited**

**U.S. PATENT DOCUMENTS**

D104,351 S *	5/1937	Lloyd	.....	D9/502
D158,997 S *	6/1950	Parker	.....	D7/300
D198,341 S *	6/1964	Warden	.....	D9/529
D367,423 S *	2/1996	Stanley	.....	D9/424
D373,730 S *	9/1996	Baron	.....	D9/504
D456,211 S *	4/2002	Price	.....	D7/509
D463,262 S *	9/2002	Gobe	.....	D9/689
D471,404 S	3/2003	Gady		

D482,570 S *	11/2003	Henderson	.....	D7/507
D496,262 S *	9/2004	Dretzka	.....	D9/691
D505,591 S *	5/2005	Bodum	.....	D7/507
D522,866 S *	6/2006	Bakic	.....	D9/521
D538,163 S *	3/2007	de Mourgues	.....	D9/505
D542,665 S *	5/2007	Poe, II	.....	D9/529
D613,126 S *	4/2010	Warner	.....	D7/587

**OTHER PUBLICATIONS**

Office Action mailed Jan. 7, 2010 in related U.S. Appl. No. 29/309,793.

\* cited by examiner

*Primary Examiner* — Ian Simmons

*Assistant Examiner* — Dana L Sipos

(74) *Attorney, Agent, or Firm* — Foley & Lardner LLP

(57) **CLAIM**

The ornamental design for a decanter, as shown and described.

**DESCRIPTION**

FIG. 1 is a top frontal perspective view of a decanter according to my new design;  
FIG. 2 is a front view of the decanter shown in FIG. 1, wherein the rear view is a mirror image thereof;  
FIG. 3 is a left side view of the decanter shown in FIG. 1, wherein right side view is a mirror image thereof;  
FIG. 4 is a top view of the decanter shown in FIG. 1;  
FIG. 5 is a bottom view of the decanter shown in FIG. 1; and,  
FIG. 6 is a bottom perspective view of the decanter shown in FIG. 1.

**1 Claim, 2 Drawing Sheets**

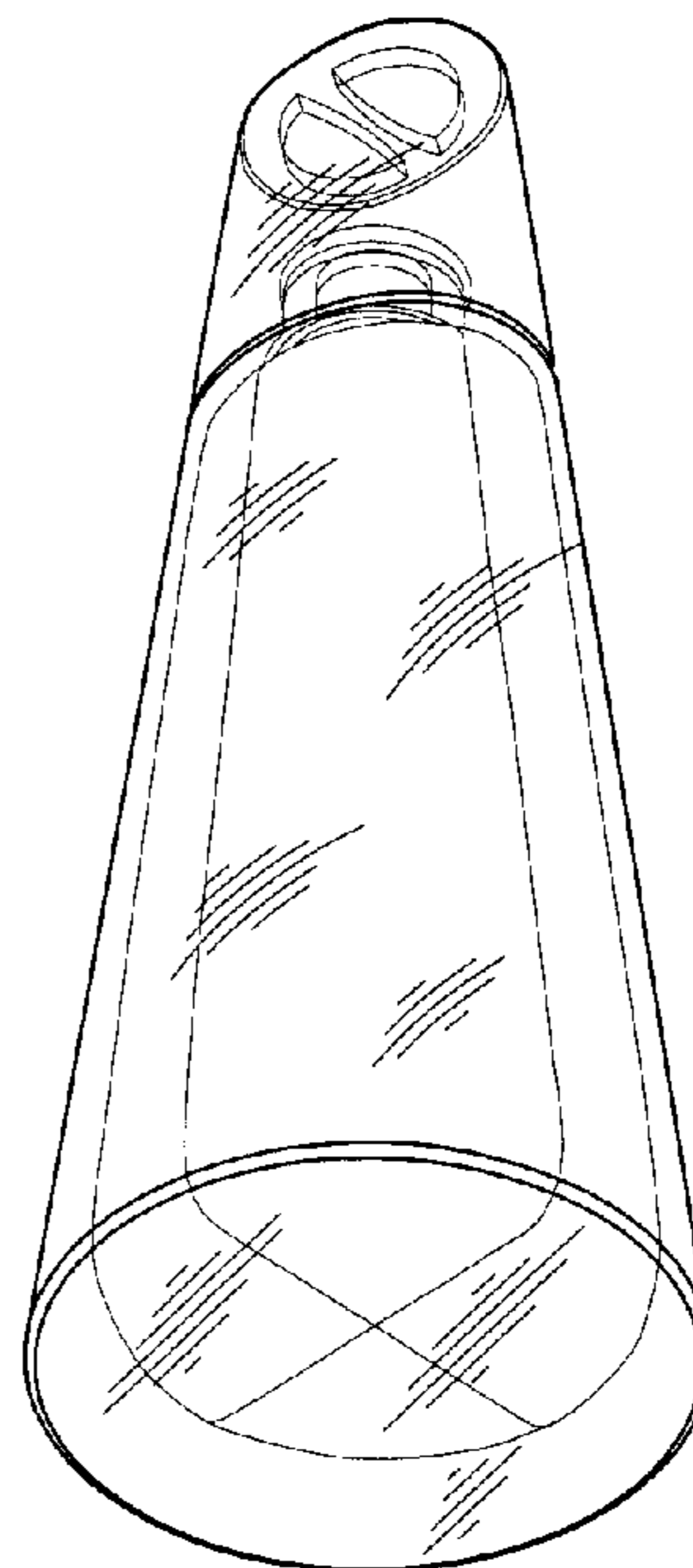
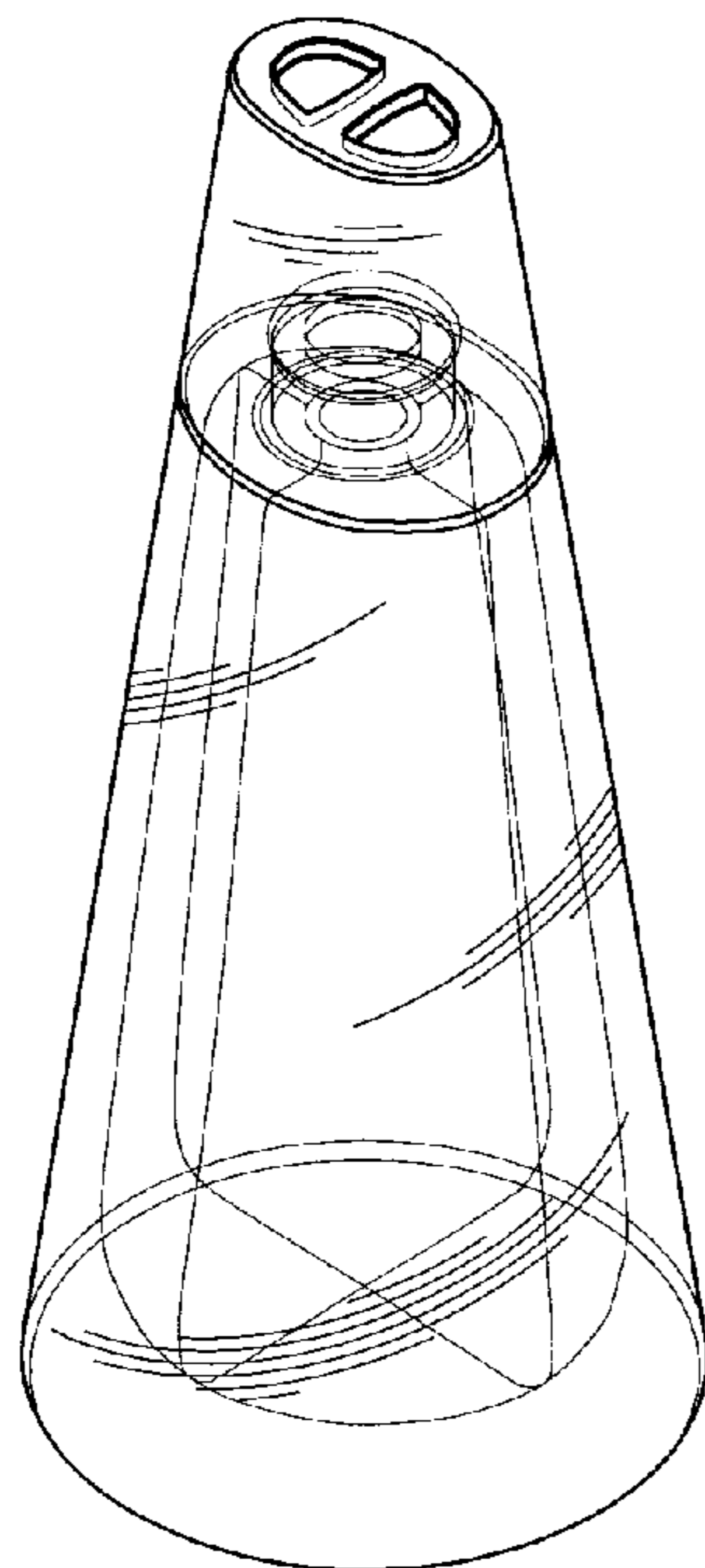


Fig. 1

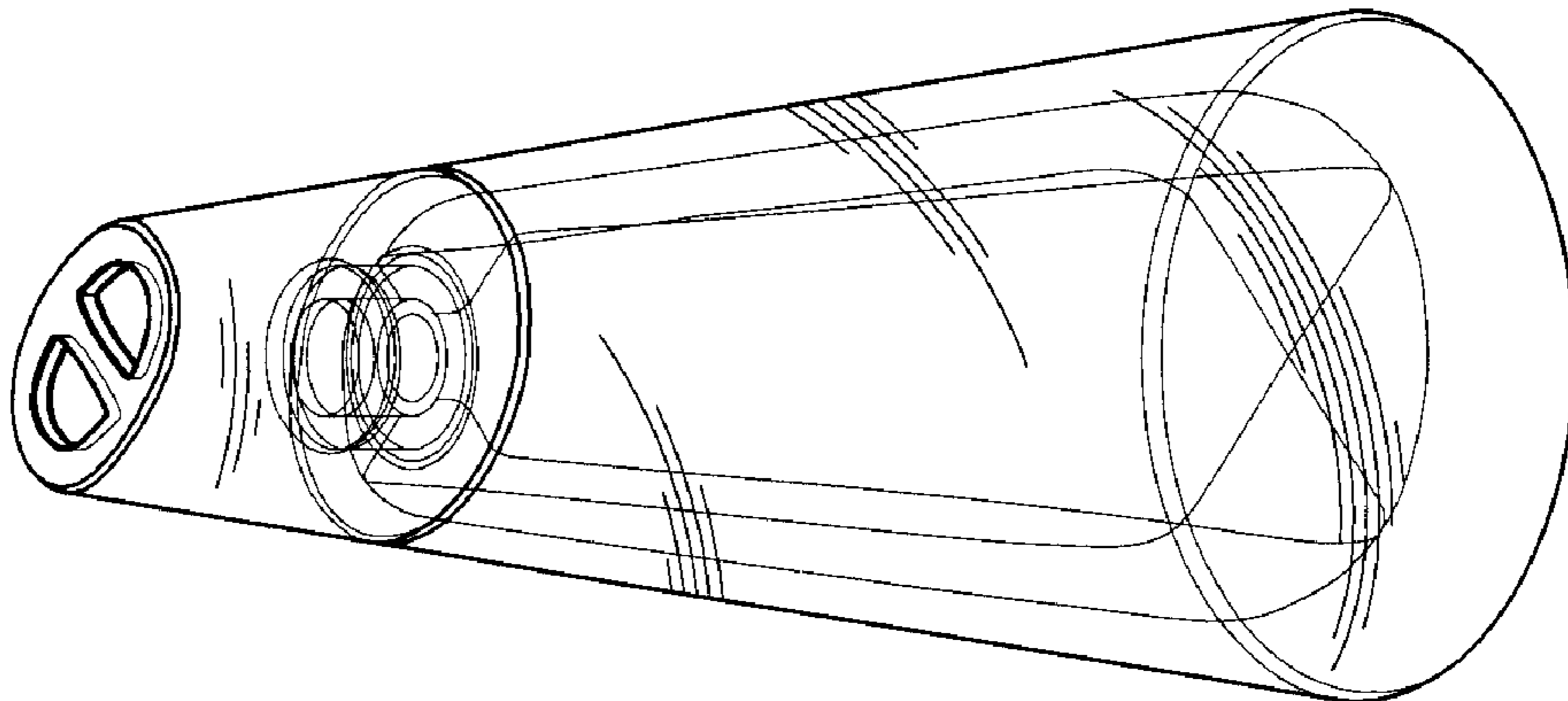


Fig. 2

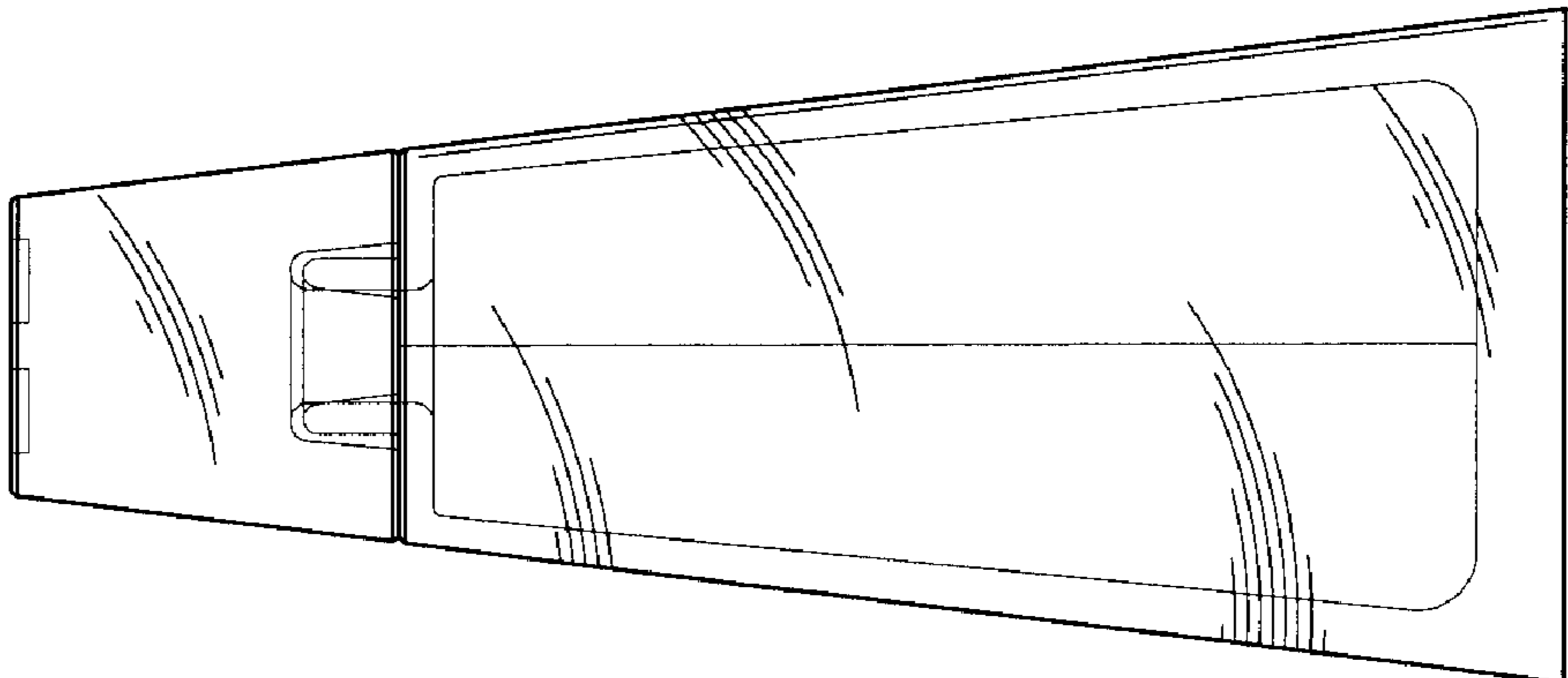


Fig. 3

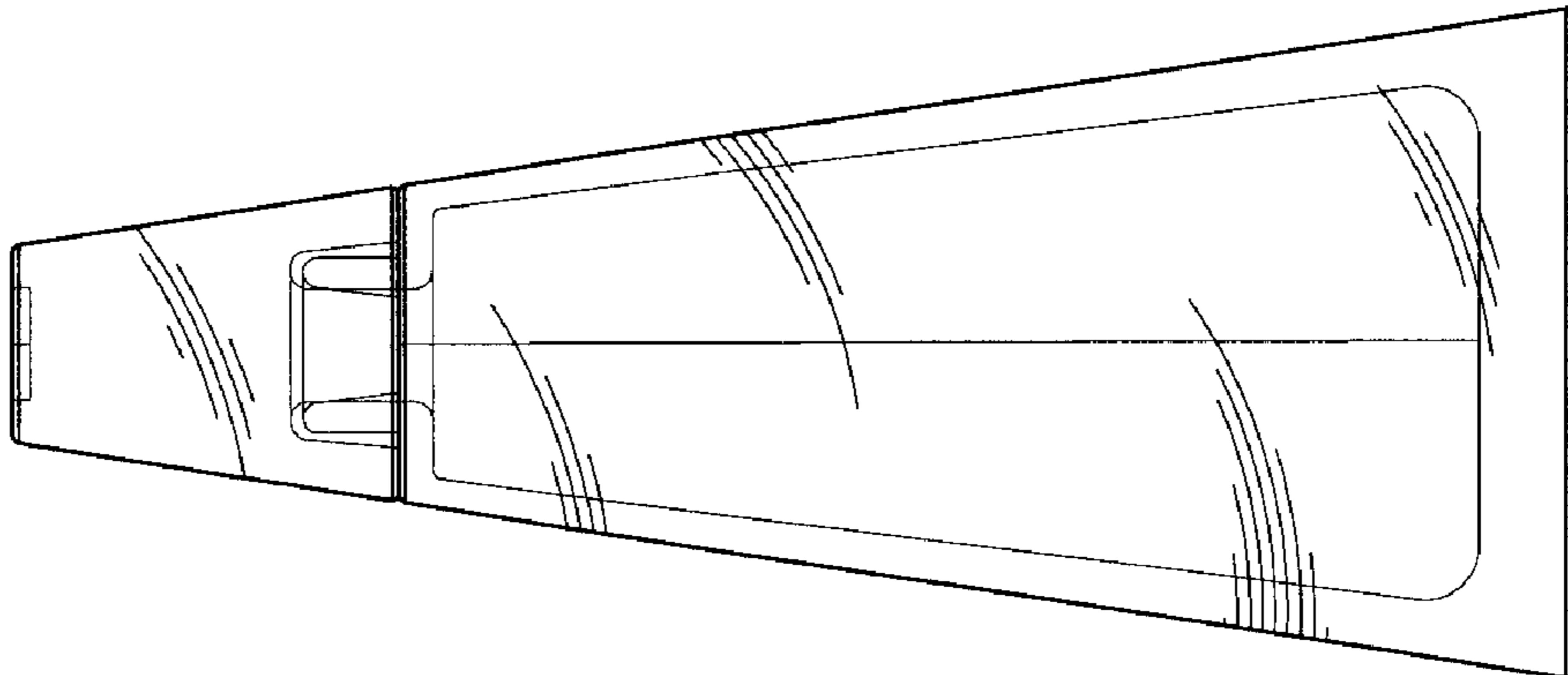


Fig. 4

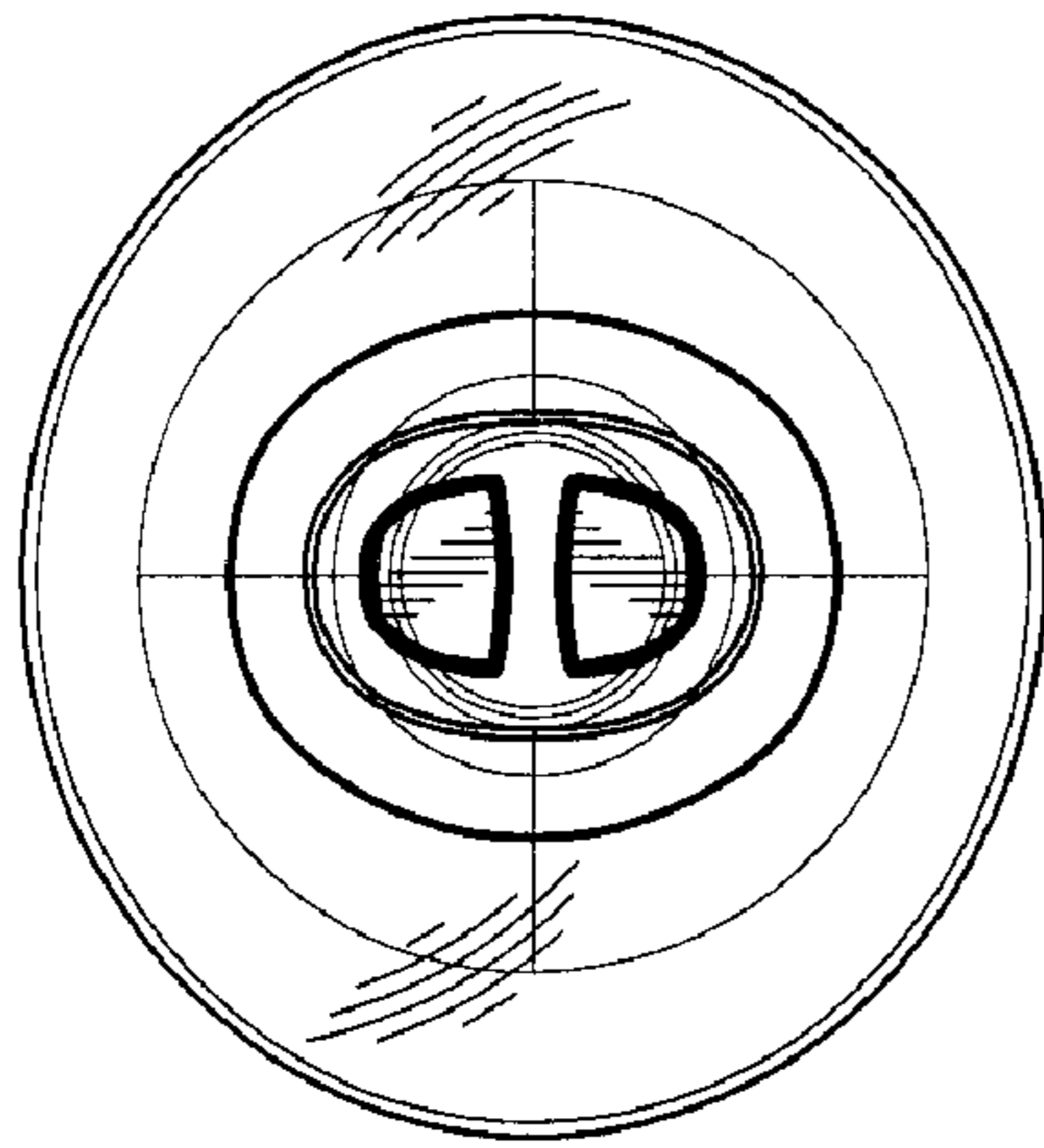


Fig. 5

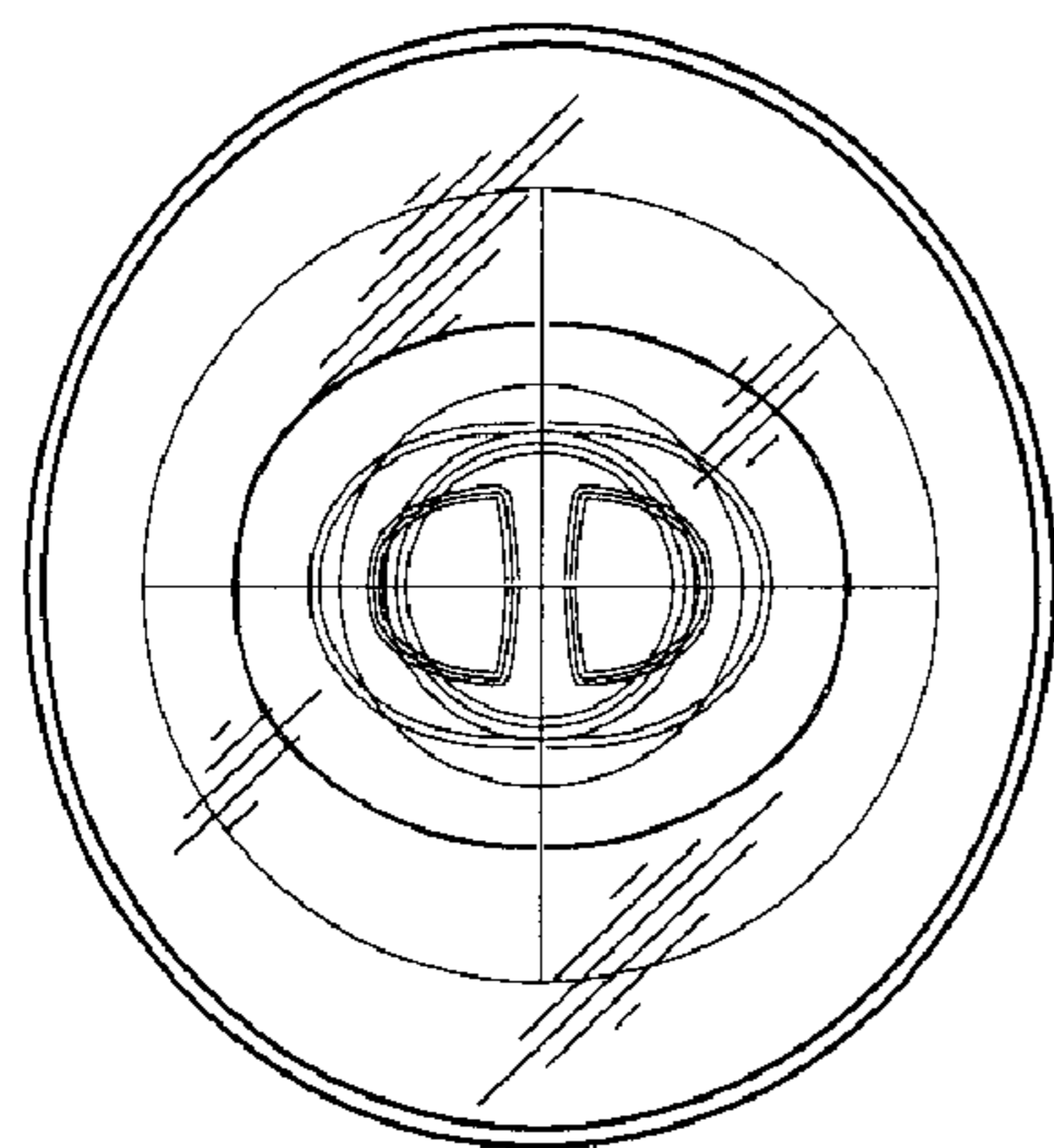


Fig. 6

