



US00D634972S

(12) **United States Design Patent**  
**Staton**

(10) **Patent No.:** **US D634,972 S**

(45) **Date of Patent:** **\*\* Mar. 29, 2011**

(54) **BOTTLE CLOSURE**

(75) Inventor: **John M. Staton**, Fairport, NY (US)

(73) Assignee: **Nalge Nunc International Corporation**, Rochester, NY (US)

(\*\*) Term: **14 Years**

(21) Appl. No.: **29/357,613**

(22) Filed: **Mar. 15, 2010**

(51) **LOC (9) Cl.** ..... **07-02**

(52) **U.S. Cl.** ..... **D7/392.1; D9/443**

(58) **Field of Classification Search** ..... D7/391,  
D7/392.1, 396.2, 507, 509, 510, 511, 512,  
D7/523, 529, 532, 608, 900; D9/436, 439,  
D9/443, 446, 454, 503, 716, 719; 220/23.83,  
220/254.3, 288, 501, 705, 709, 710, 711;  
215/11.6, 347; 222/185.1

See application file for complete search history.

(56) **References Cited**

**U.S. PATENT DOCUMENTS**

D508,185 S *	8/2005	Gauss	.....	D7/392.1
D539,607 S *	4/2007	Lapsker	.....	D7/510
D543,454 S *	5/2007	Leoncavallo et al.	.....	D9/449
D543,776 S *	6/2007	Yelland	.....	D7/392.1
D568,740 S *	5/2008	Williams	.....	D9/443
D590,661 S *	4/2009	Kitamura et al.	.....	D7/510
D596,460 S *	7/2009	Nezu	.....	D7/510
D609,964 S *	2/2010	Lane	.....	D7/392.1

\* cited by examiner

*Primary Examiner* — Cynthia M Chin

(74) *Attorney, Agent, or Firm* — Wood, Herron & Evans, LLP

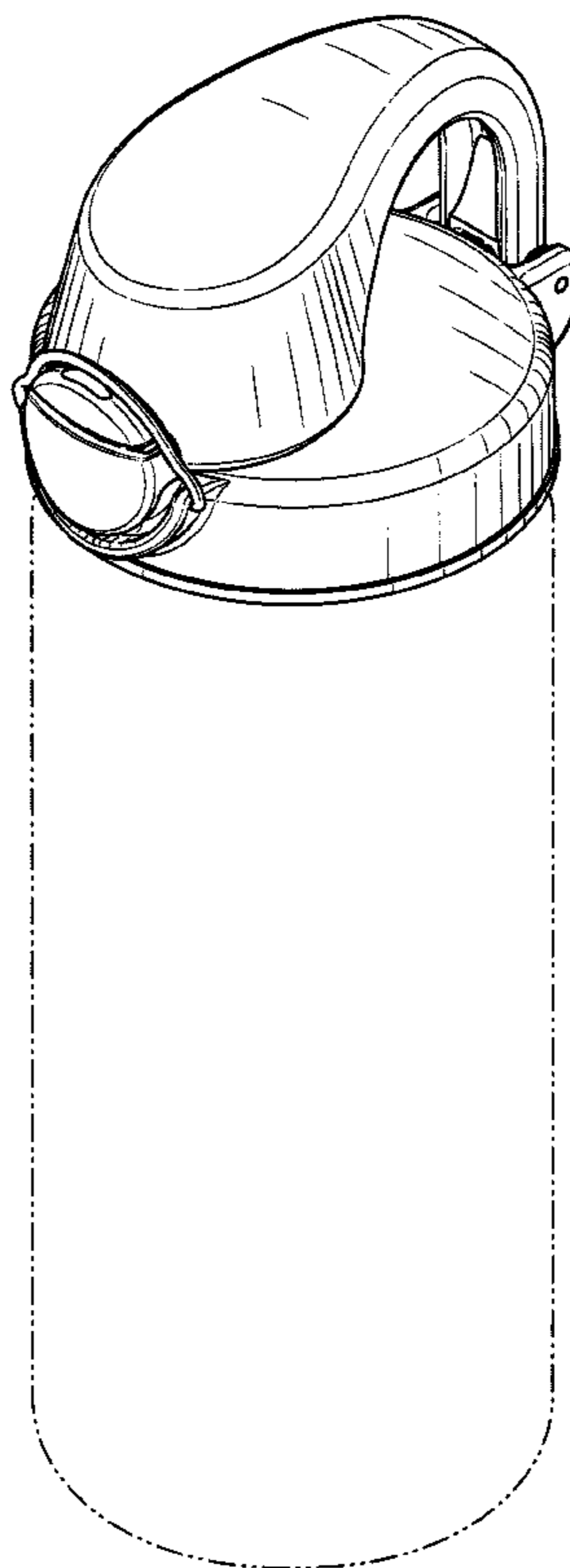
(57) **CLAIM**

The ornamental design for the bottle closure, as shown and described.

**DESCRIPTION**

FIG. 1 is a first perspective view of my new bottle closure design;  
 FIG. 2 is a second perspective view thereof, from a different angle;  
 FIG. 3 is a front-side elevation view thereof;  
 FIG. 4 is a left-side elevation view thereof, the right-side elevation view being a mirror image of the left-side elevation view;  
 FIG. 5 is a back-side elevation view thereof;  
 FIG. 6 is a cross-sectional view taken along line 6—6 of FIG. 3;  
 FIG. 7 is a bottom plan view thereof; and,  
 FIG. 8 is a top plan view thereof.  
 The broken lines shown are included for the purpose of illustrating the unclaimed portions of the bottle closure and form no part of the claimed design.

**1 Claim, 5 Drawing Sheets**



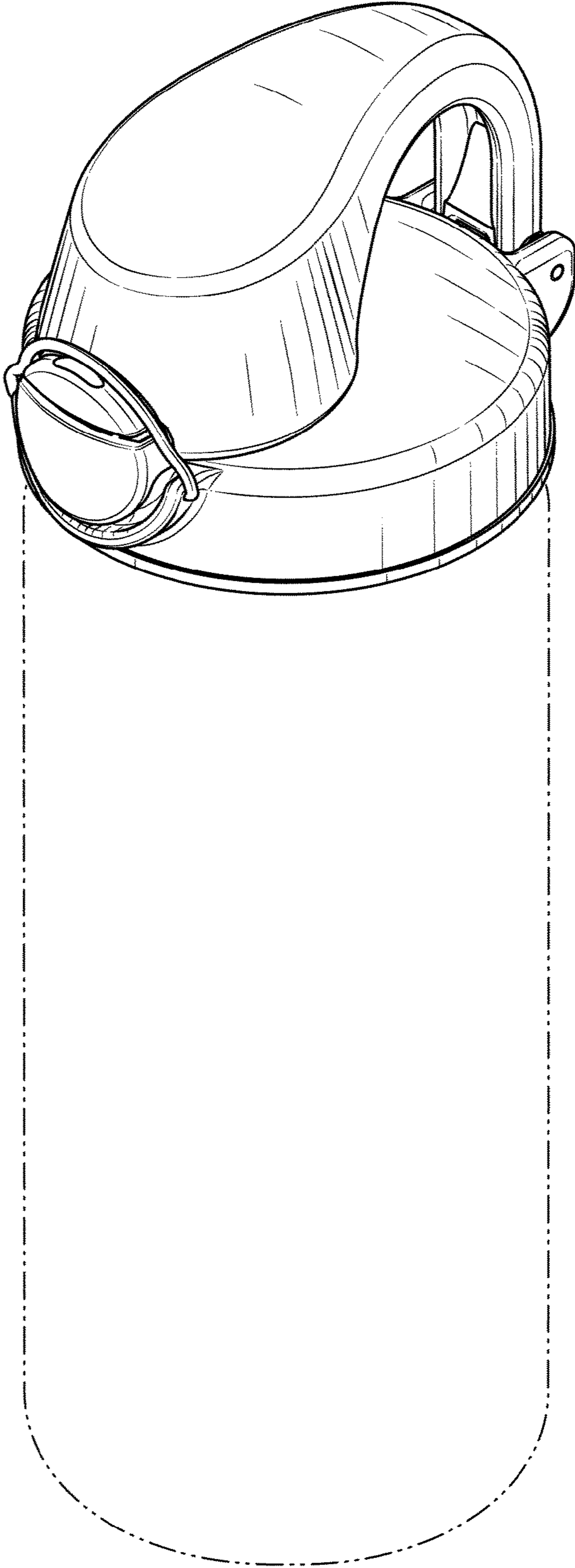


FIG. 1

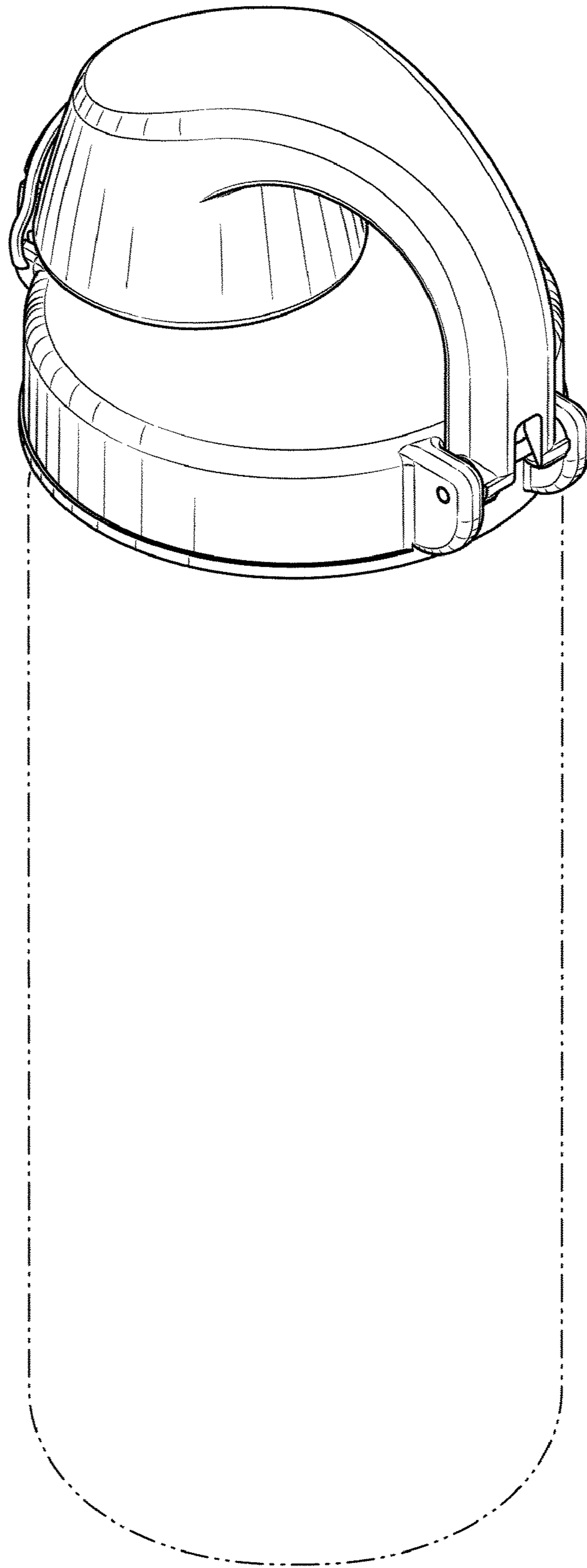
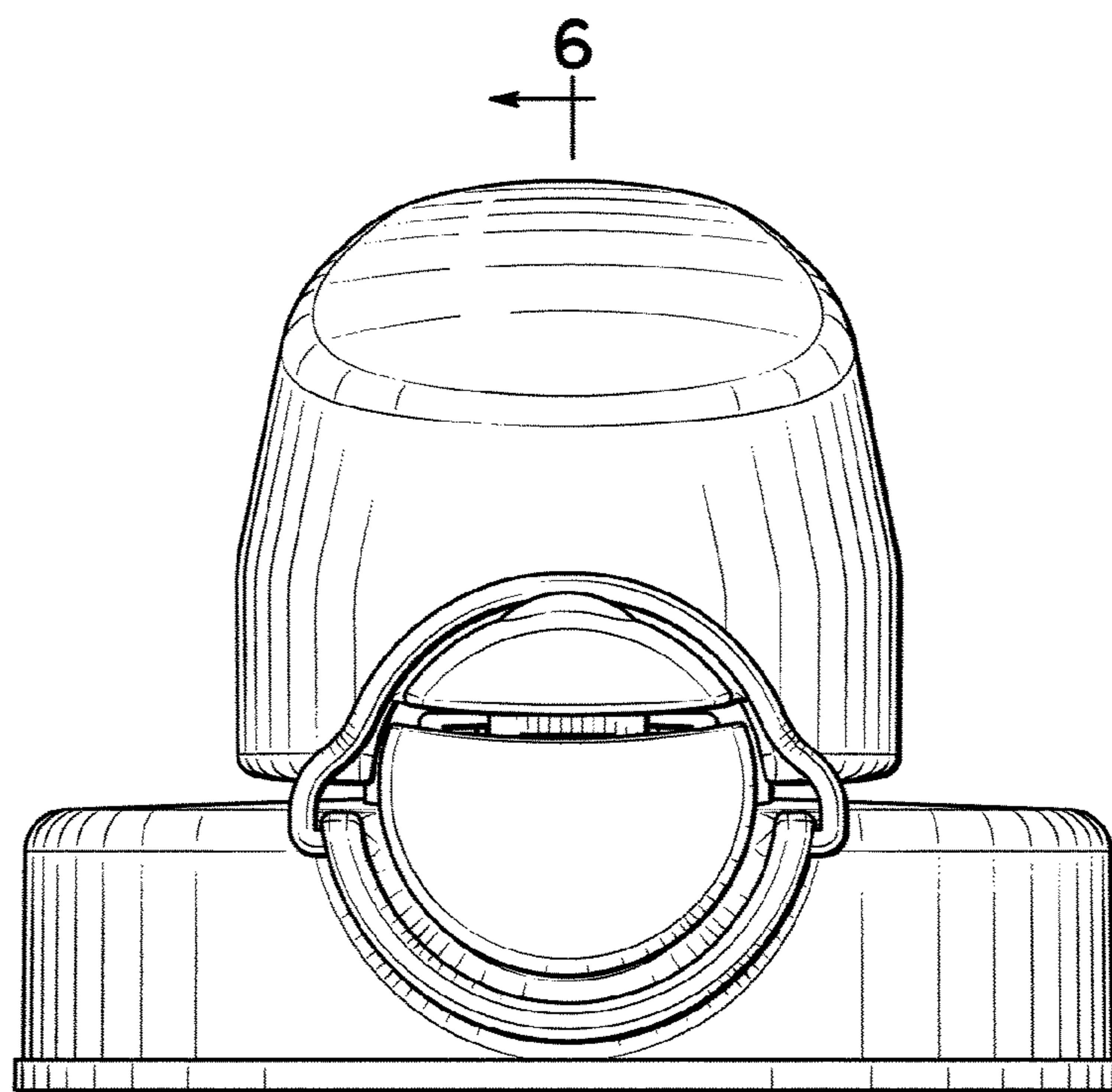
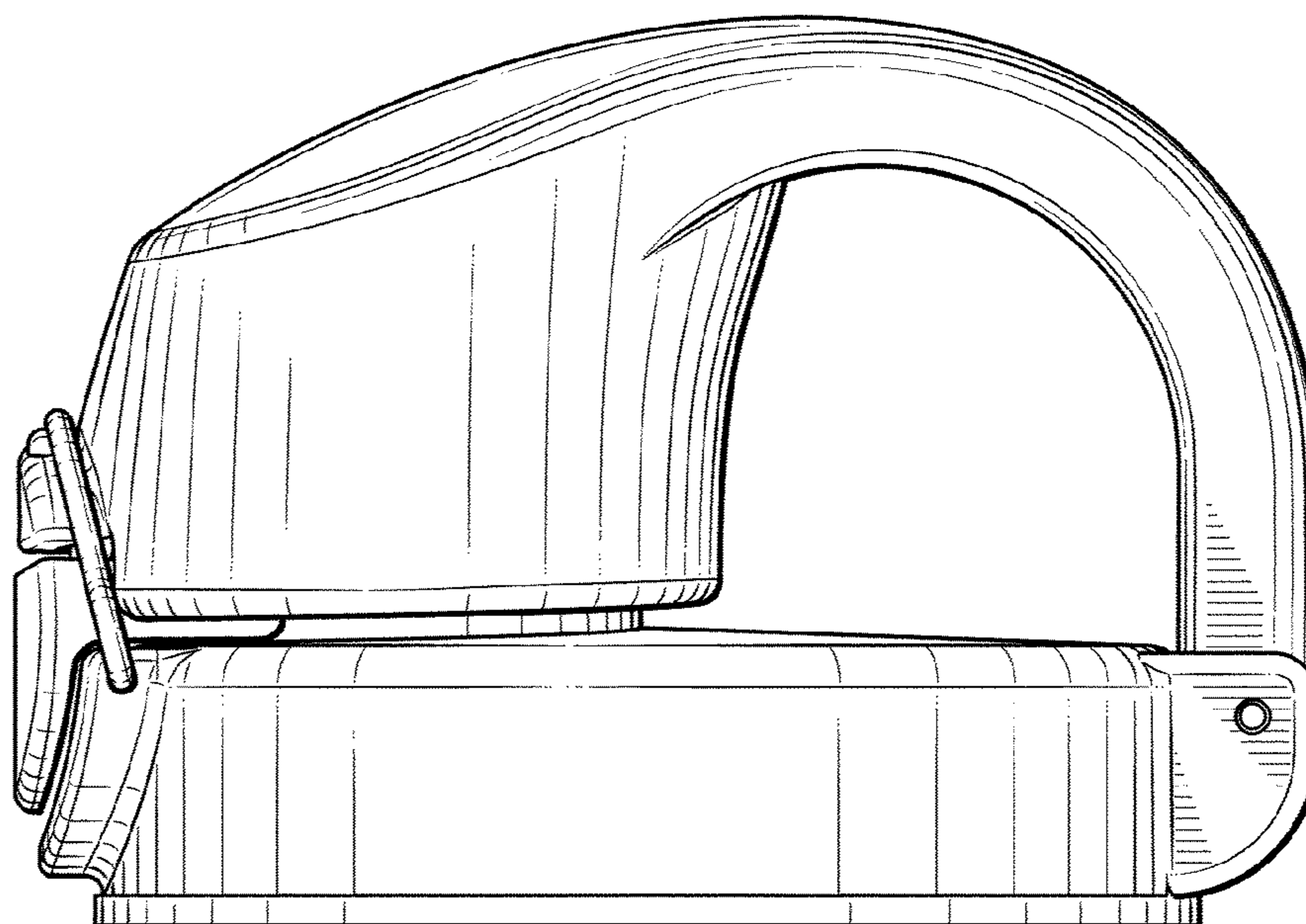


FIG. 2



6  
←  
6  
**FIG. 3**



**FIG. 4**

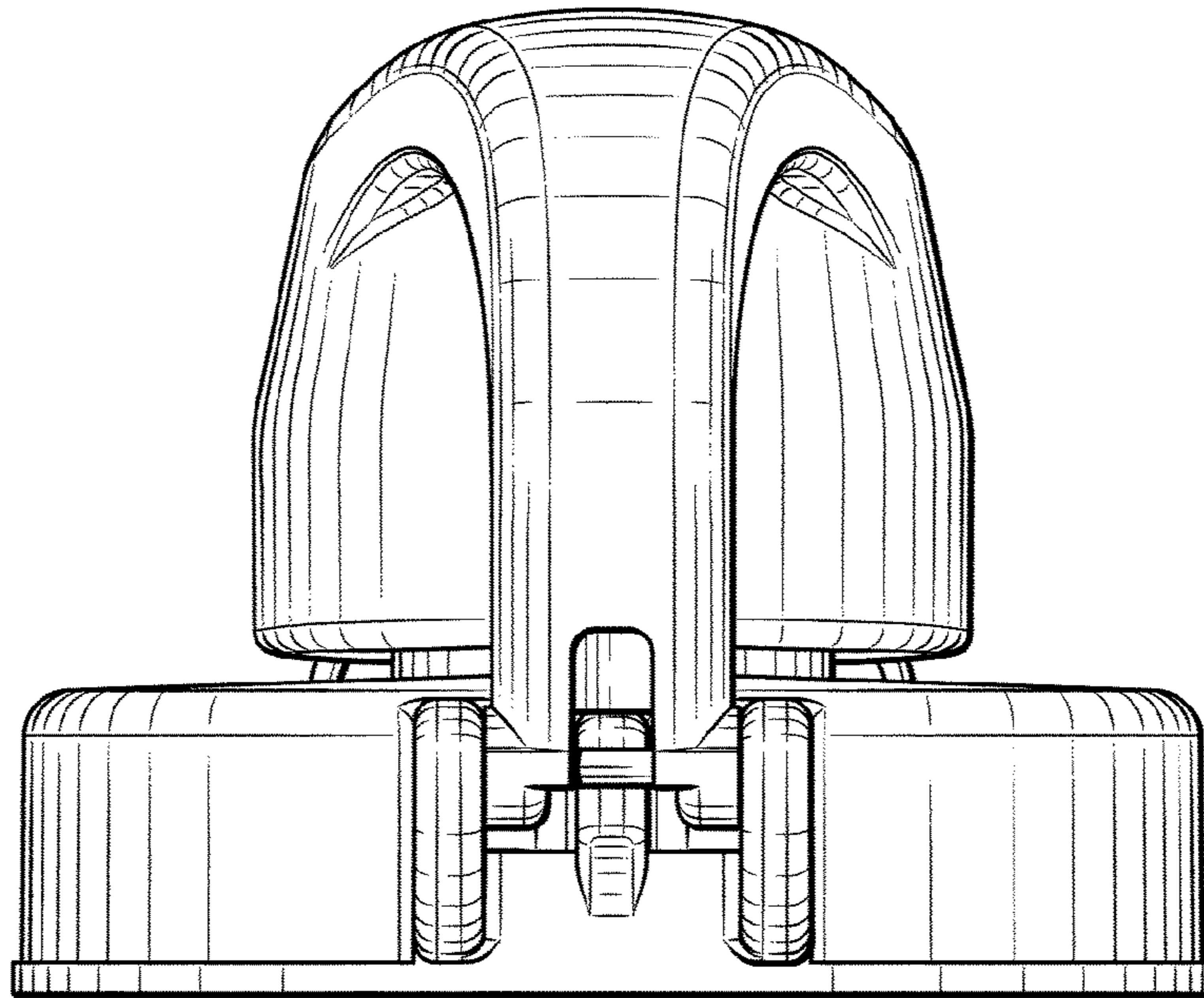


FIG. 5

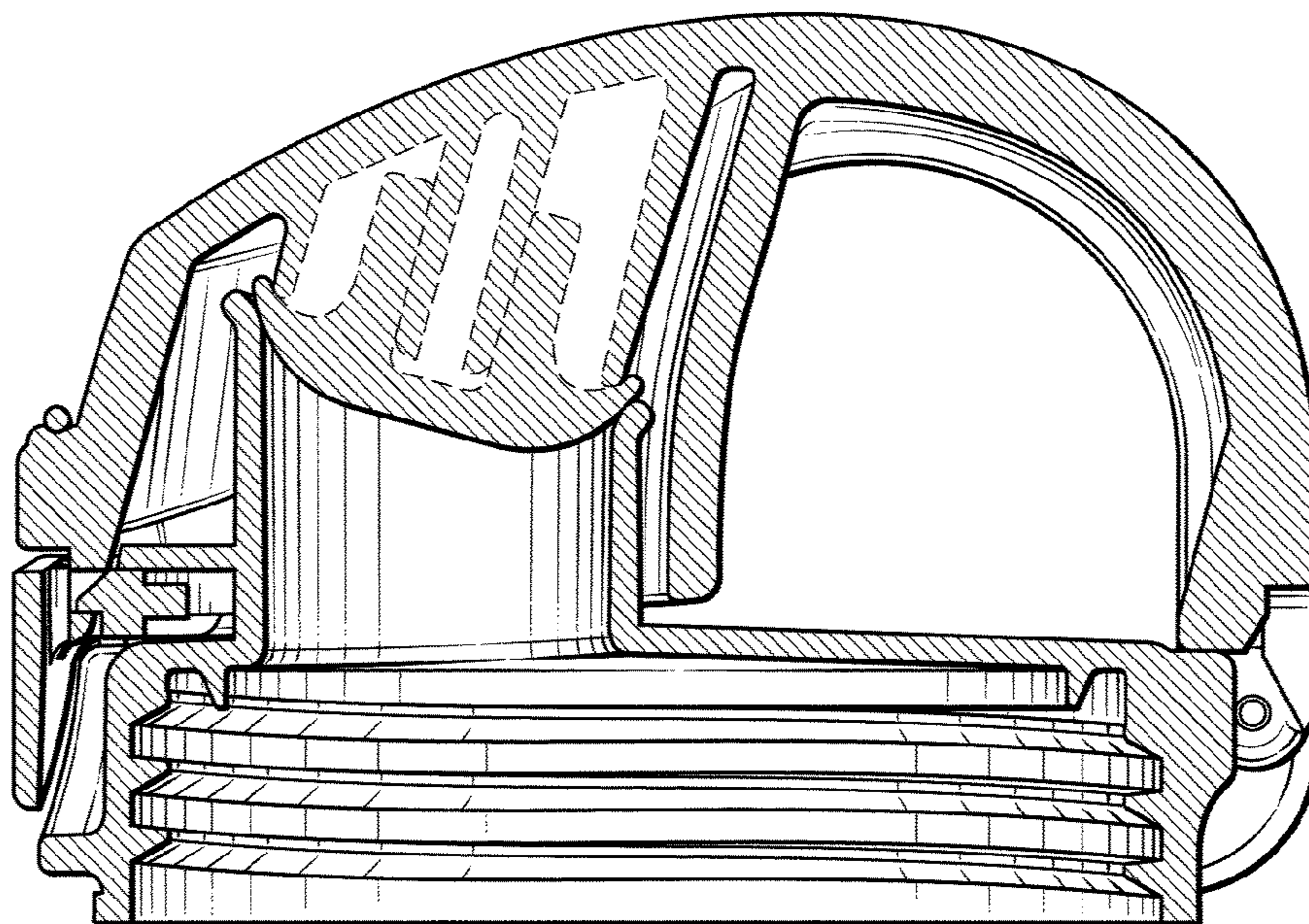


FIG. 6

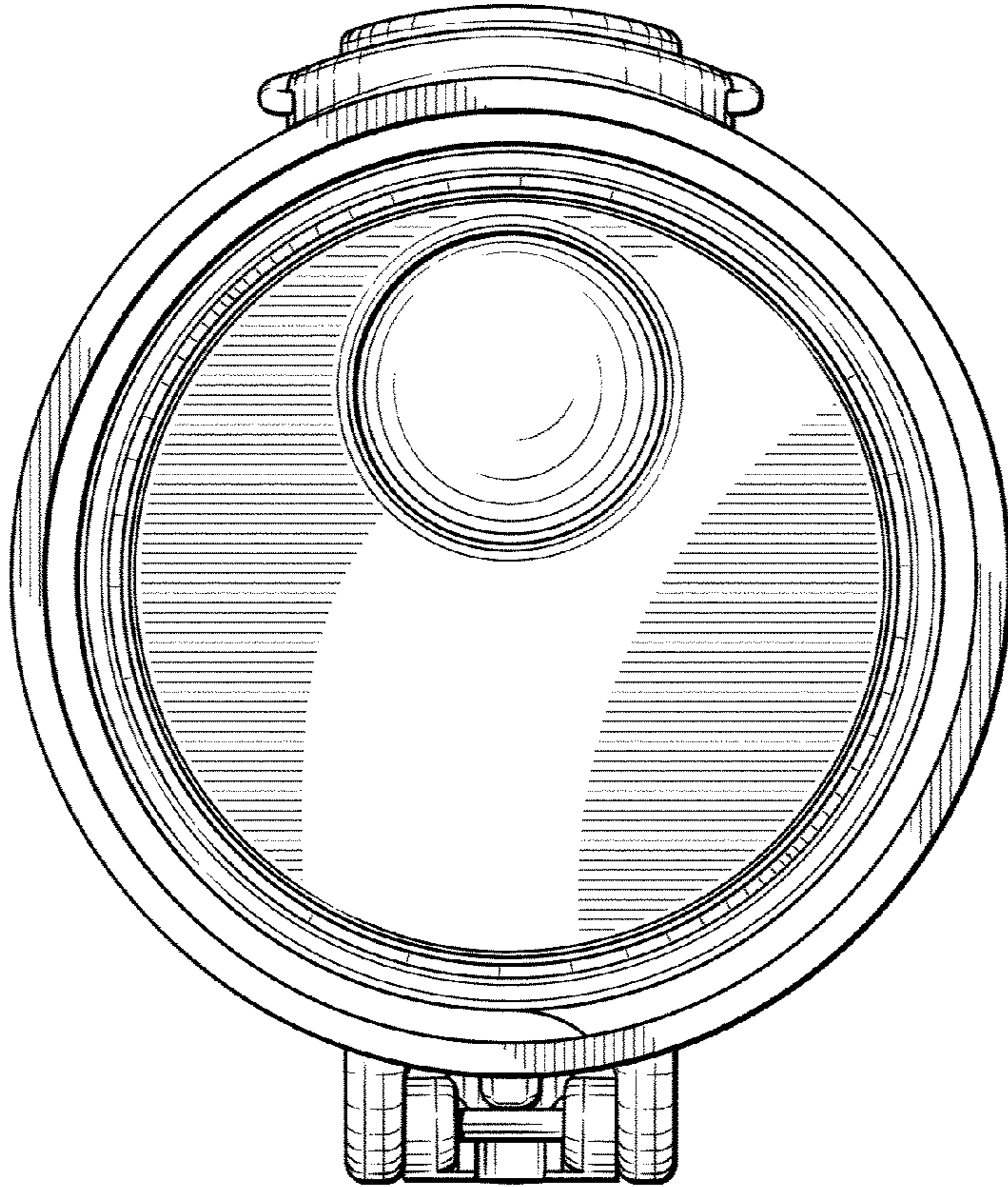


FIG. 7

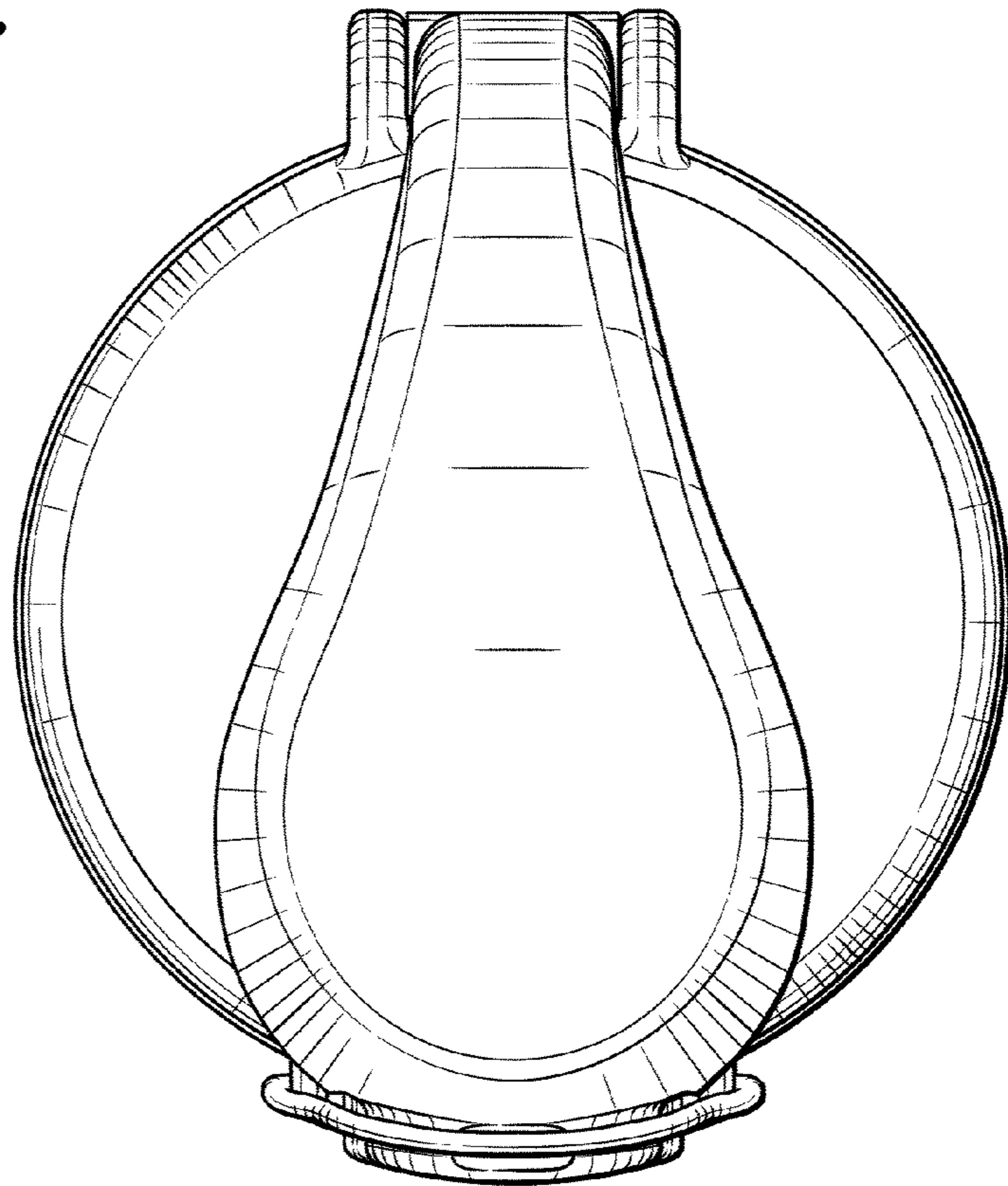


FIG. 8