



US00D634970S

(12) **United States Design Patent**
Pallotto

(10) **Patent No.:** **US D634,970 S**
(45) **Date of Patent:** **** Mar. 29, 2011**

(54) **MICROWAVE CONTAINER WITH COVER**

(75) Inventor: **Simone Pallotto**, Etterbeek (BE)

(73) Assignee: **Dart Industries Inc.**, Orlando, FL (US)

(**) Term: **14 Years**

(21) Appl. No.: **29/349,772**

(22) Filed: **Apr. 30, 2010**

(51) **LOC (9) Cl.** **07-02**

(52) **U.S. Cl.** **D7/354**

(58) **Field of Classification Search** D3/294–304,
D3/307–309; D7/354–363, 402, 505, 538–545,
D7/554.3–554.4, 560, 585–588, 601–602,
D7/612–615, 629; D9/424–432, 456, 760–761;
99/324, 426; 220/23.2–23.6, 573.1–573.3,
220/574–575, 657, 780–806, 912; 249/117,
249/121–122, 126

See application file for complete search history.

(56) **References Cited**

U.S. PATENT DOCUMENTS

D220,448 S	4/1971	Swett et al.	
D235,406 S	6/1975	Daenen	
D248,357 S *	7/1978	Daenen	D7/505
D272,029 S	1/1984	Grusin	
D276,400 S *	11/1984	Daenen et al.	D7/629
D279,952 S	8/1985	Daenen et al.	
D280,964 S	10/1985	Wolff	
D281,048 S	10/1985	Wolff	
D282,808 S	3/1986	Daenen et al.	
D282,809 S	3/1986	Daenen et al.	
D287,559 S	1/1987	Daenen et al.	
D289,844 S	5/1987	Daenen et al.	
D316,513 S	4/1991	Wolff	
D319,978 S	9/1991	Wolff	
5,223,291 A	6/1993	Levinson et al.	
D348,377 S *	7/1994	Douglas	D7/538
D378,039 S	2/1997	Ferris	
D383,671 S *	9/1997	Phillips	D9/429
D417,367 S	12/1999	Laib	

D423,283 S	4/2000	Laib	
D424,298 S	5/2000	Laib	
D437,686 S *	2/2001	Balzar et al.	D3/302
D469,320 S *	1/2003	Pettaweebuncha	D7/629
D489,975 S *	5/2004	Jackson et al.	D9/425
D502,394 S *	3/2005	Jackson et al.	D9/425

(Continued)

FOREIGN PATENT DOCUMENTS

EP 0 954 981 A2 11/1999

(Continued)

OTHER PUBLICATIONS

Fasta Pasta™ microwave cooker; McMahan Enterprises, LLC; www.FastaPastaCooker.com; 3 pages; date—see U.S. 2010/0108668A1. Pasta N More; www.pastanmoresale.com/Default.aspx; at least as early as 2008.

Primary Examiner — Ricky Pham

(74) *Attorney, Agent, or Firm* — John A. Doninger

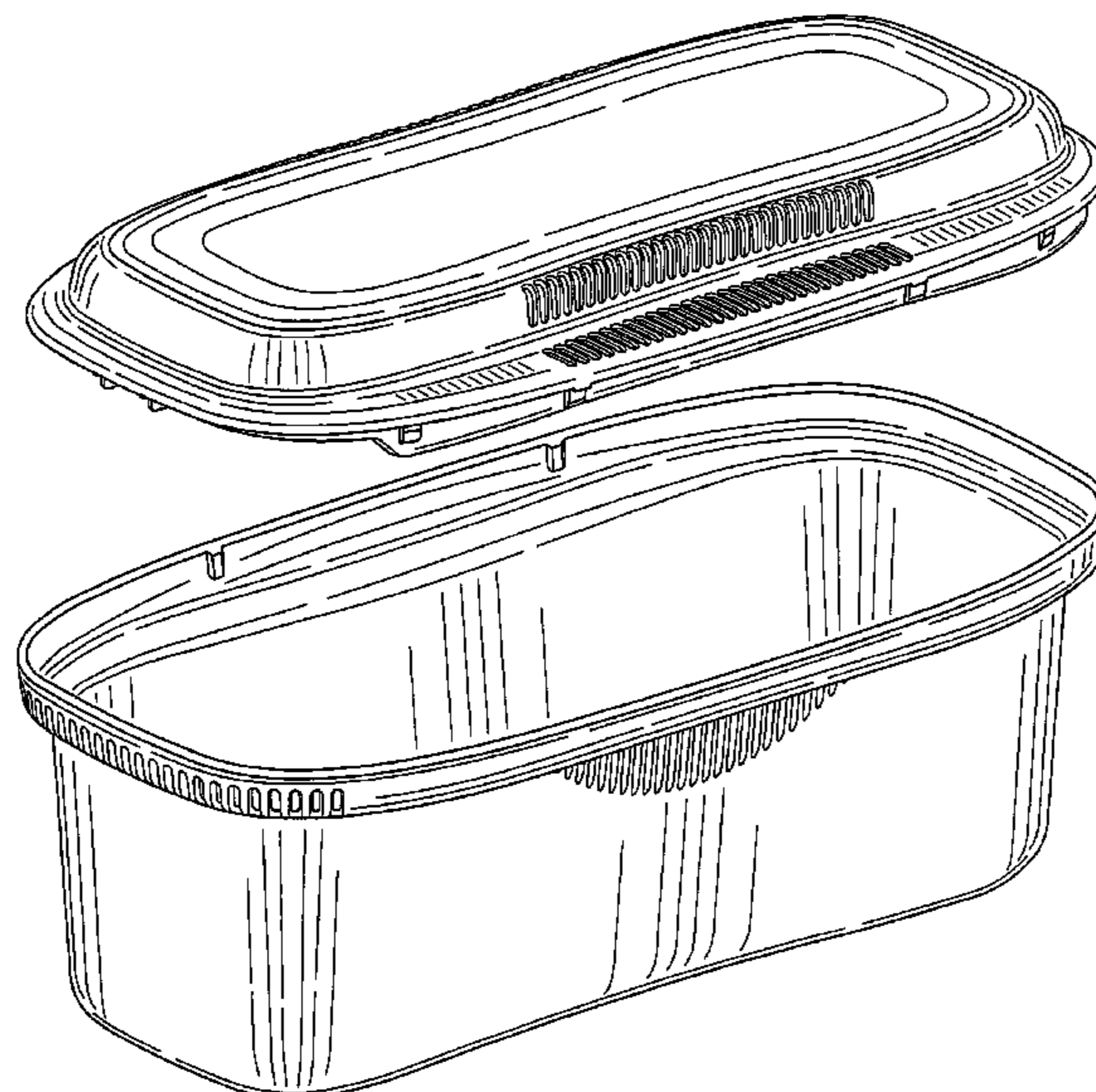
(57) **CLAIM**

The ornamental design for a microwave container with cover, as shown and described.

DESCRIPTION

FIG. 1 is a top, side and front perspective view of a microwave container with cover showing my new design; FIG. 2 is a front elevation view thereof; FIG. 3 is a rear elevation view thereof; FIG. 4 is a right side elevation view, the left side elevation being a mirror image thereof; FIG. 5 is a top plan view thereof; FIG. 6 is a bottom plan view thereof; FIG. 7 is a bottom, side and rear perspective view thereof; and, FIG. 8 is an exploded perspective view thereof, shown with the cover removed for completeness of illustration.

1 Claim, 6 Drawing Sheets



US D634,970 S

Page 2

U.S. PATENT DOCUMENTS

D503,336	S	*	3/2005	Tucker et al.	D9/425
D559,042	S		1/2008	de Groote et al.	
D587,567	S	*	3/2009	Peyser et al.	D9/424
D614,919	S	*	5/2010	Carlson	D7/602
2003/0068411	A1		4/2003	McCallister et al.	
2008/0105674	A1		5/2008	Hsu	
2010/0108668	A1		5/2010	McMahan	

FOREIGN PATENT DOCUMENTS

EP	1 046 346 A2	10/2000
JP	2005270485	10/2005
JP	2006034665	2/2006
JP	2006095063	4/2006

* cited by examiner

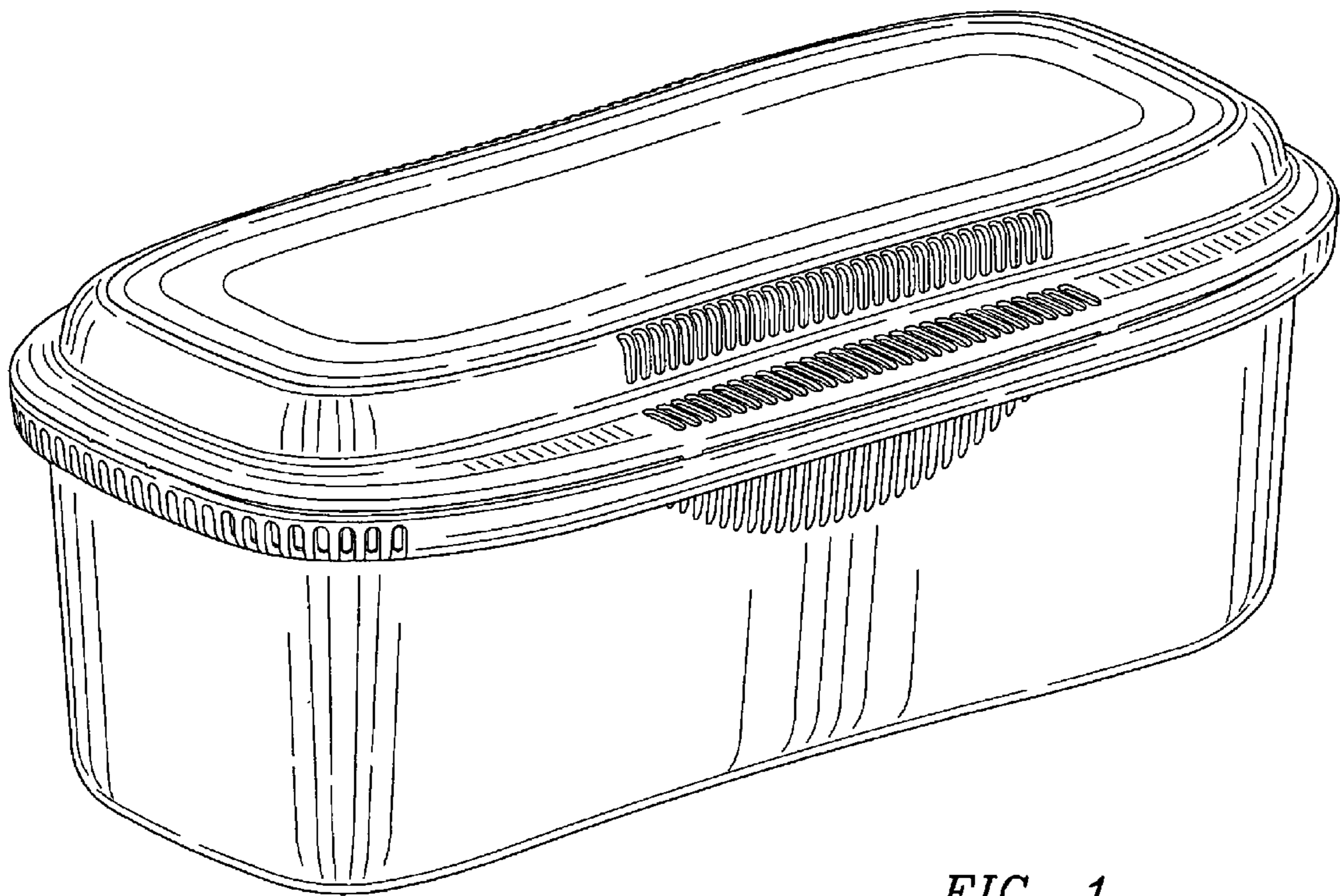


FIG. 1

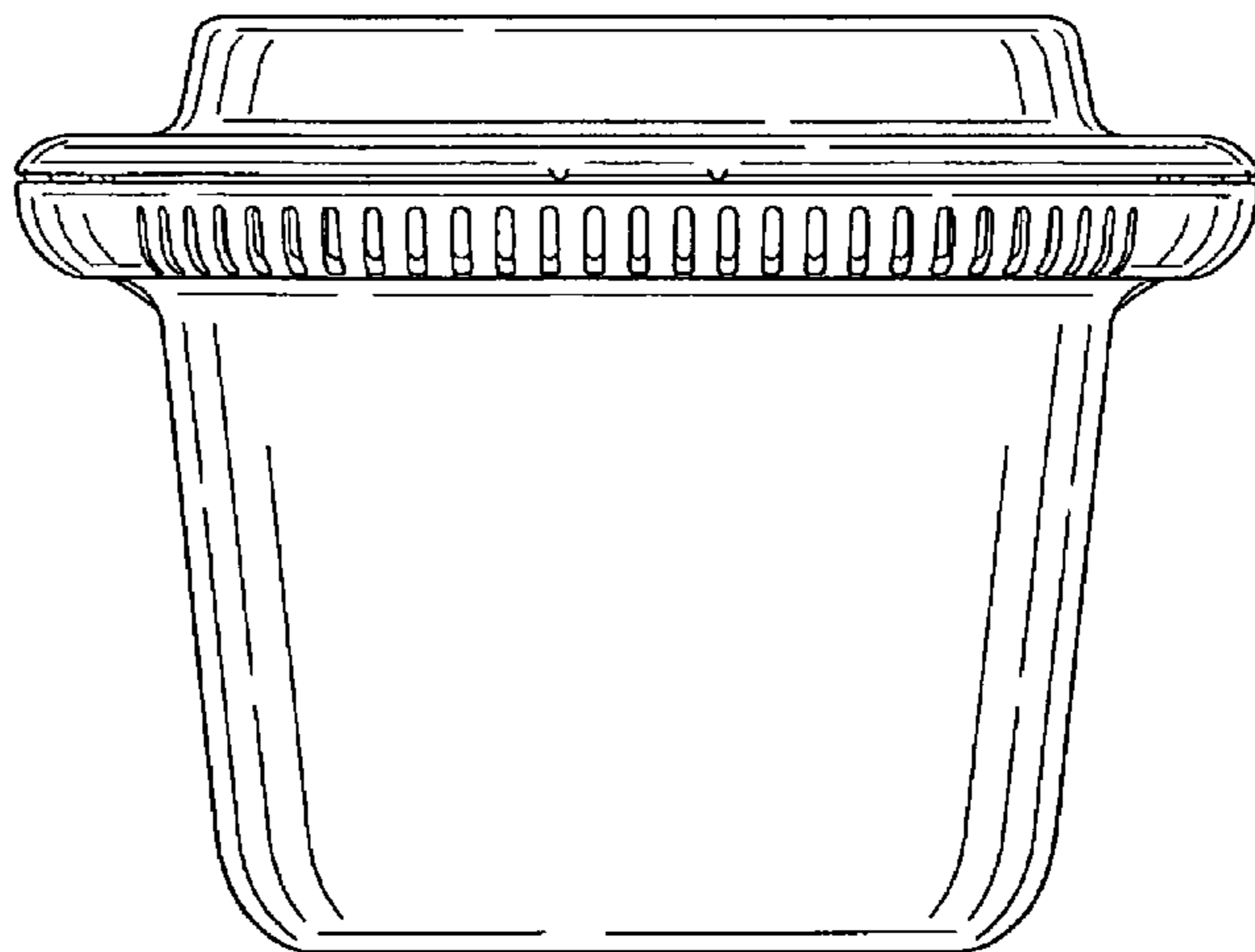


FIG. 2

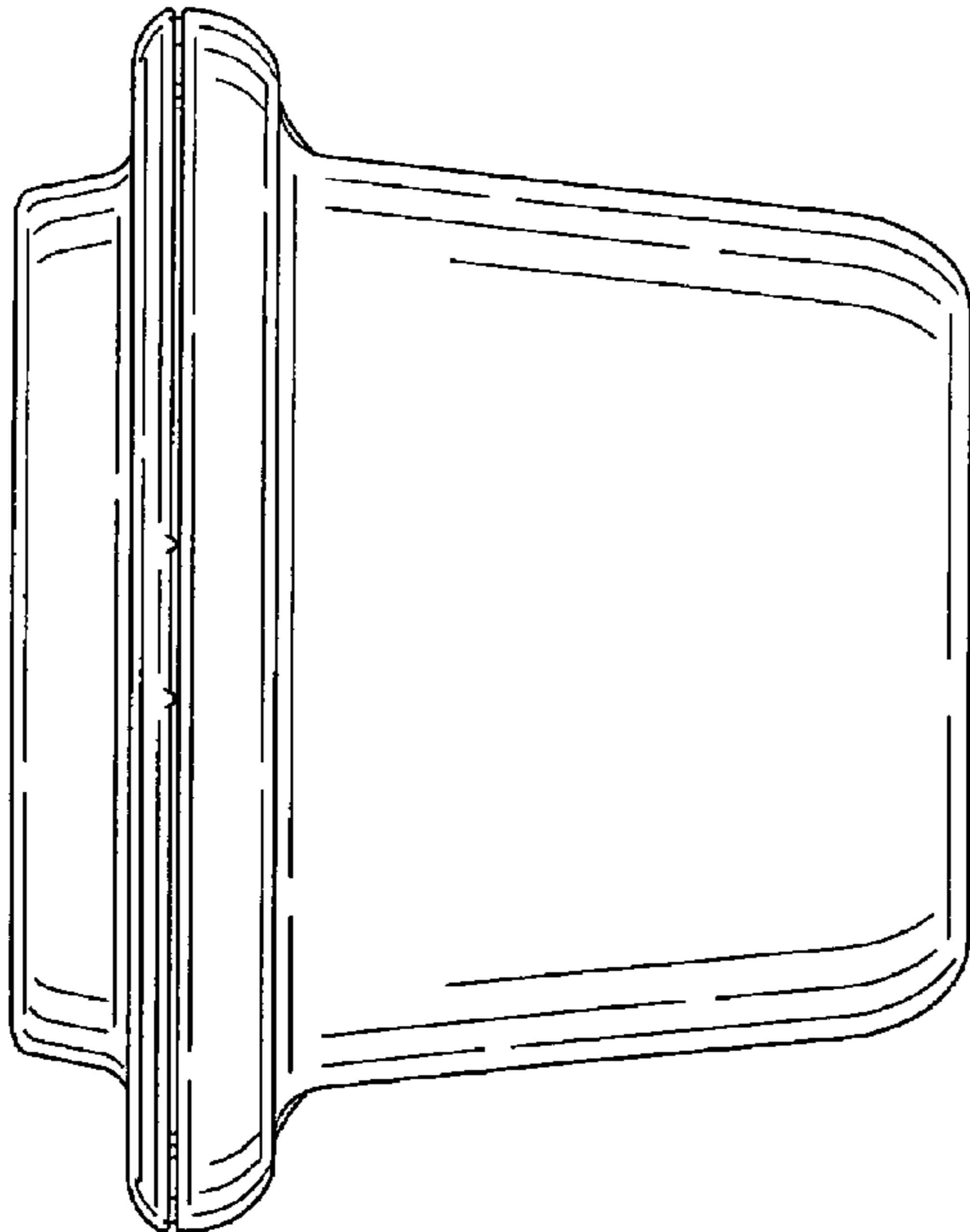


FIG. 3

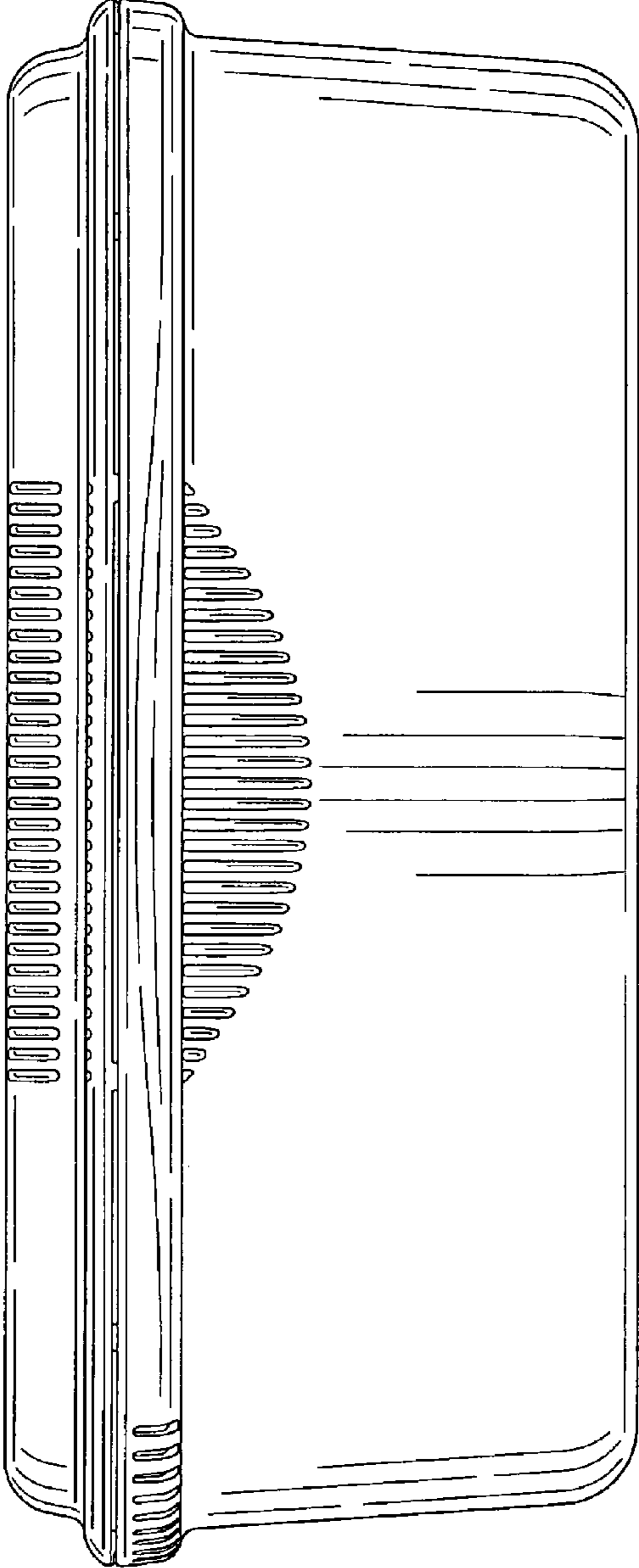


FIG. 4

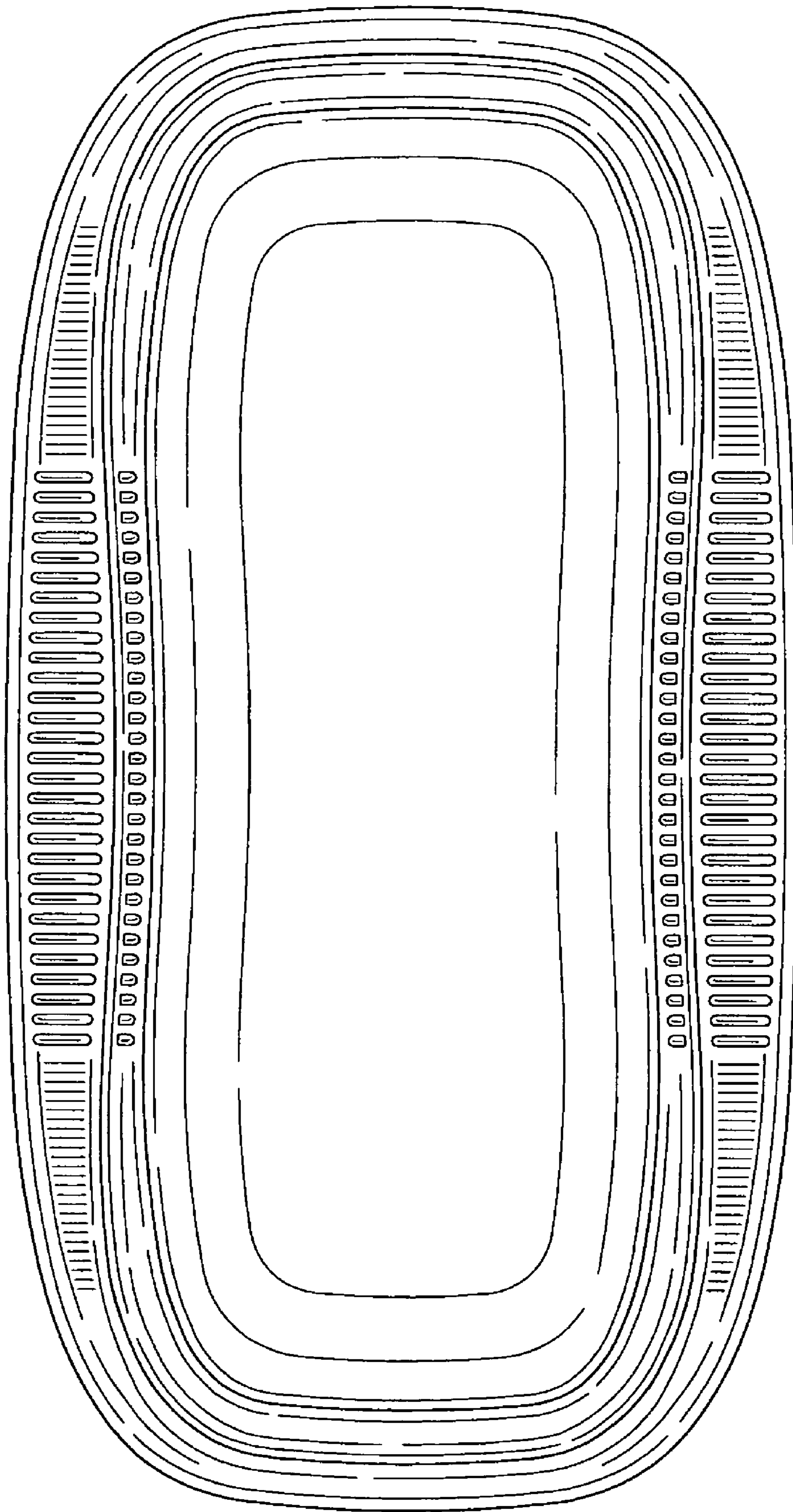


FIG. 5

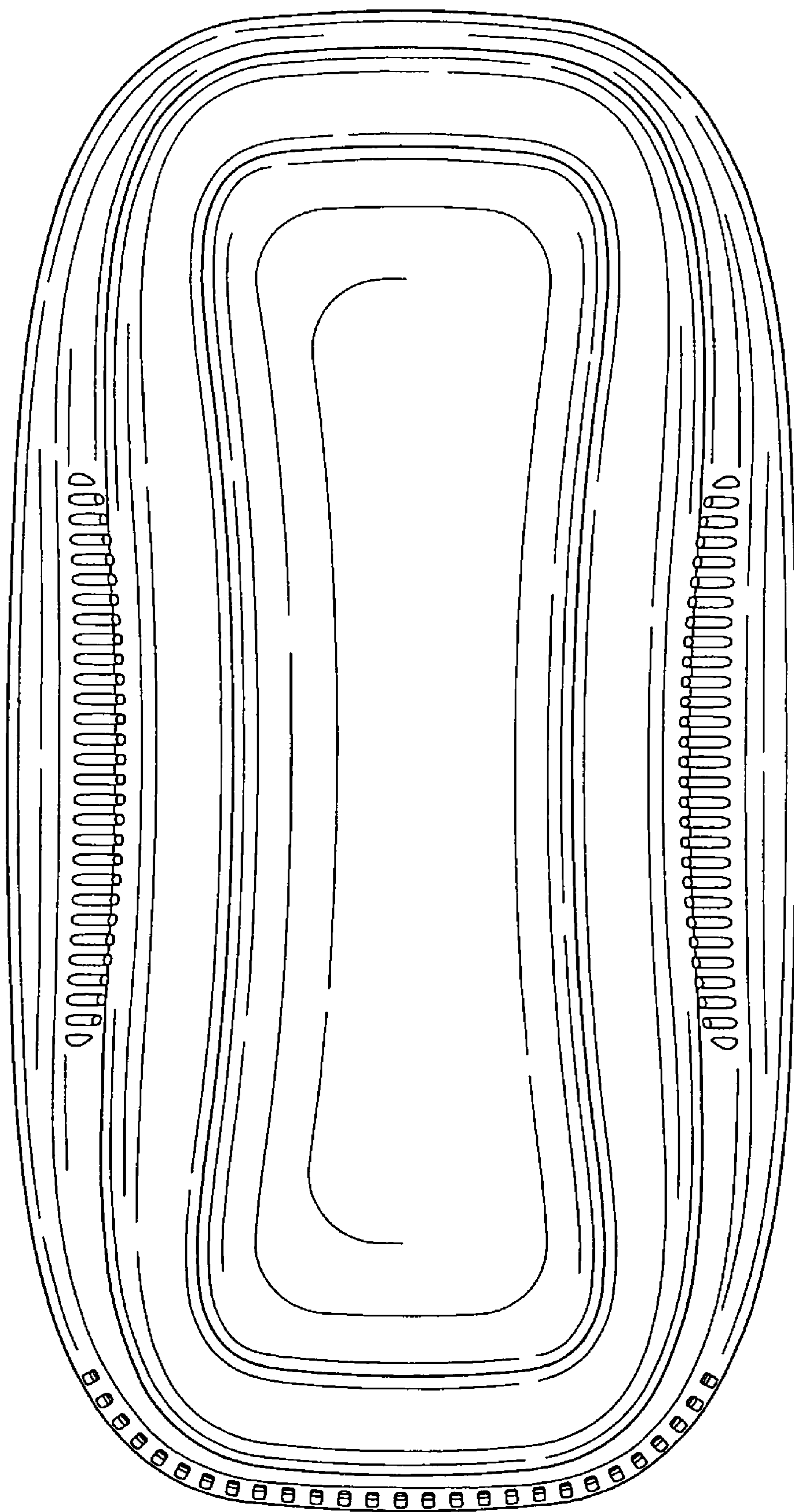


FIG. 6

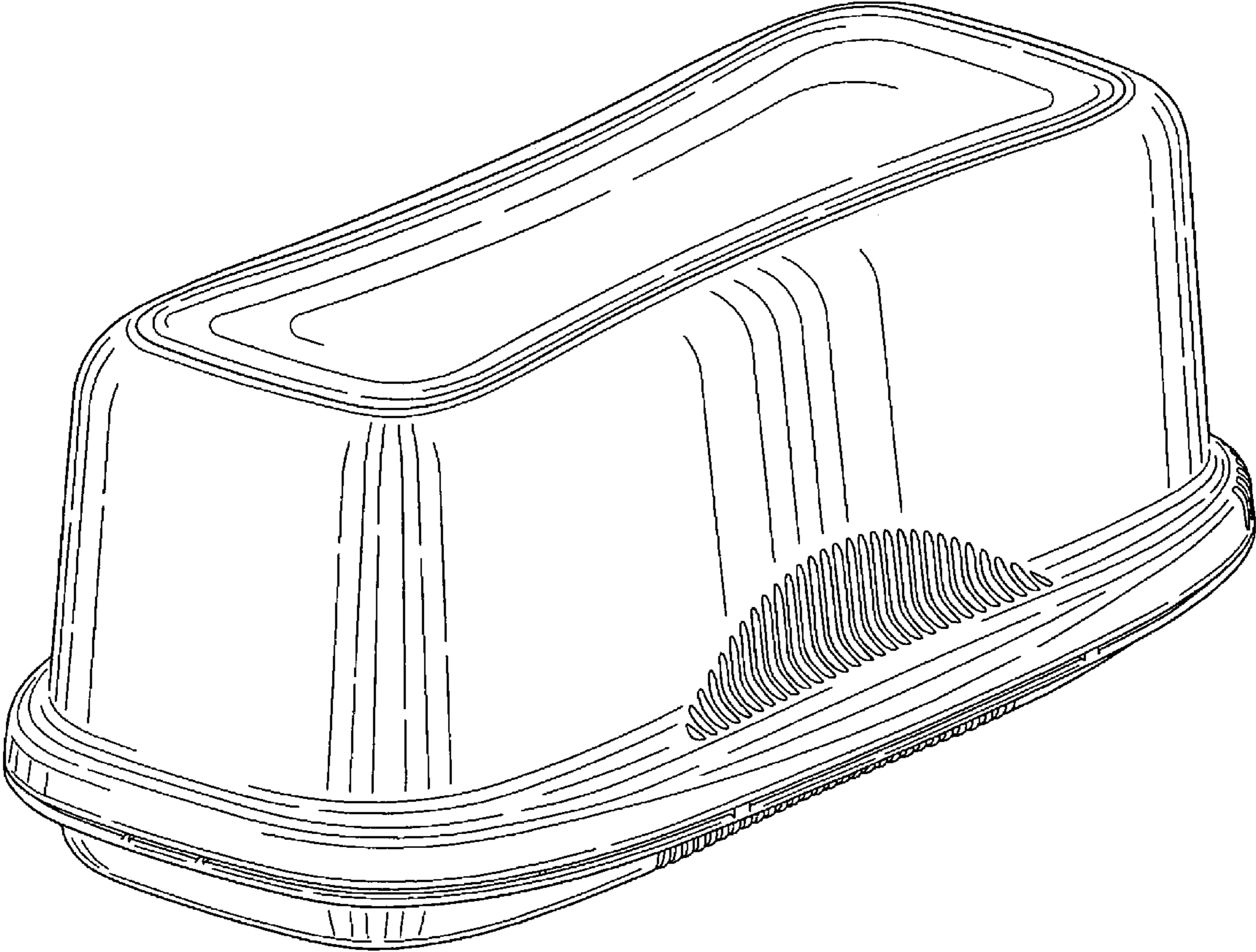


FIG. 7

FIG. 8

