



US00D634969S

(12) **United States Design Patent**  
**De' Longhi**

(10) **Patent No.:** **US D634,969 S**

(45) **Date of Patent:** **\*\* Mar. 29, 2011**

(54) **GRILL**

(75) Inventor: **Giuseppe De' Longhi**, Treviso (IT)

(73) Assignee: **De' Longhi Appliances S.R.L. Con Unico Socio**, Treviso (IT)

(\*\*) Term: **14 Years**

(21) Appl. No.: **29/375,315**

(22) Filed: **Sep. 21, 2010**

(30) **Foreign Application Priority Data**

Mar. 29, 2010 (EP) ..... 1204788-0001

(51) **LOC (9) Cl.** ..... **07-02**

(52) **U.S. Cl.** ..... **D7/352**

(58) **Field of Classification Search** ..... D7/323,  
D7/328-332, 334-341, 347-348, 350.1, 351-363;  
99/324-328, 331, 339-340, 349, 353, 369,  
99/372-377, 385-389, 392, 425, 444; 219/524-525,  
219/620-622, 732-734

See application file for complete search history.

(56) **References Cited**

U.S. PATENT DOCUMENTS

D509,703	S	*	9/2005	Barker	.....	D7/352
D527,941	S	*	9/2006	Serra	.....	D7/352
D528,350	S	*	9/2006	McHutchison	.....	D7/352
D546,619	S	*	7/2007	McHutchison	.....	D7/352
D581,202	S	*	11/2008	Tetreault et al.	.....	D7/352
D588,858	S	*	3/2009	Tetreault et al.	.....	D7/352
D592,444	S	*	5/2009	Tetreault	.....	D7/352
D622,538	S	*	8/2010	Hoare et al.	.....	D7/352
2005/0139086	A1	*	6/2005	McHutchison	.....	99/389
2007/0017384	A1	*	1/2007	Serra	.....	99/372

\* cited by examiner

*Primary Examiner* — Ricky Pham

(74) *Attorney, Agent, or Firm* — Mannava & Kang P.C.

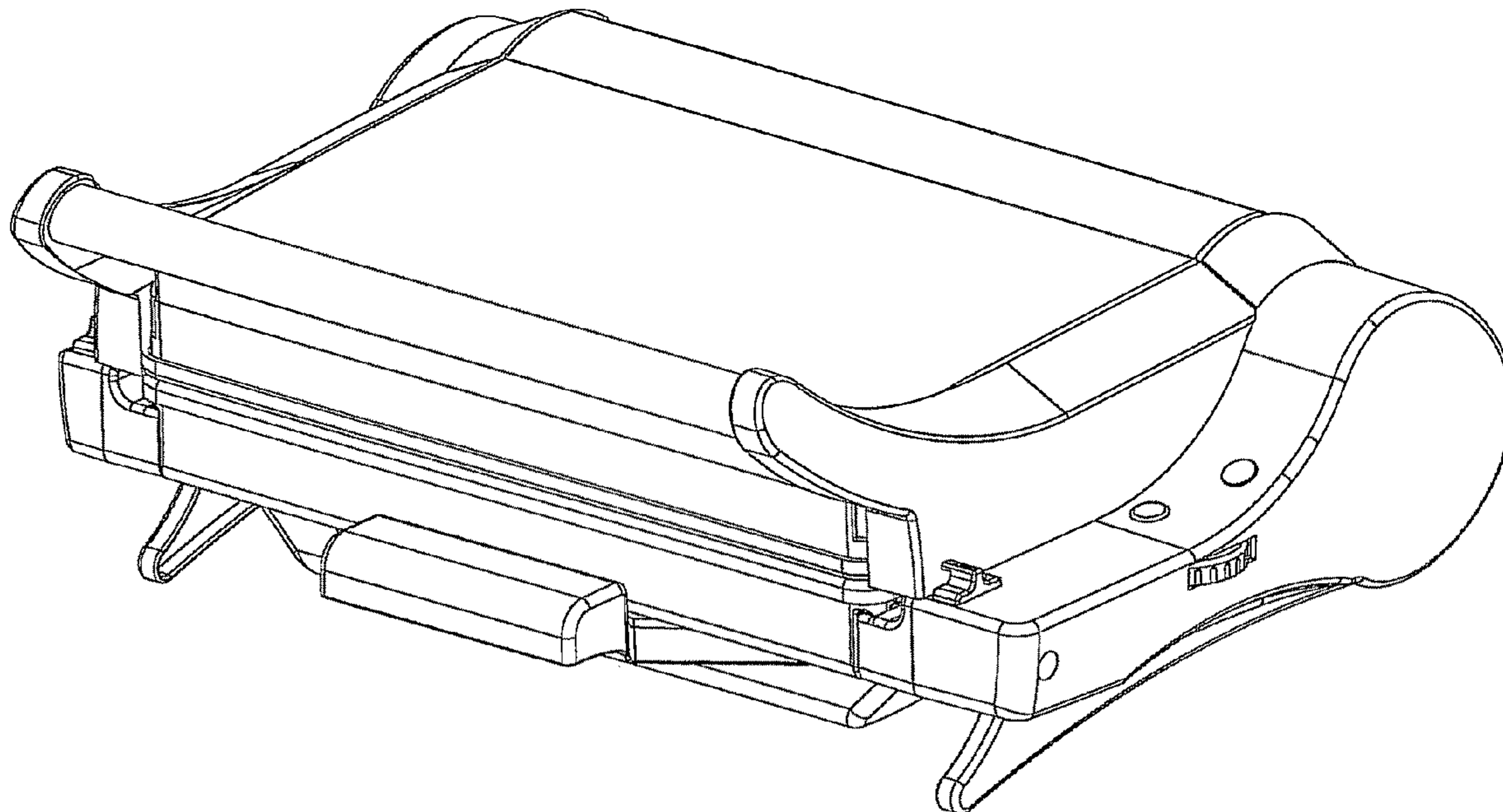
(57) **CLAIM**

The ornamental design for a grill, as shown and described.

**DESCRIPTION**

FIG. 1 is a perspective view of a grill showing my new design;  
FIG. 2 is a front view thereof;  
FIG. 3 is a rear view thereof;  
FIG. 4 is a left side view thereof;  
FIG. 5 is a right side view thereof;  
FIG. 6 is a top view thereof; and,  
FIG. 7 is a bottom view thereof.

**1 Claim, 7 Drawing Sheets**



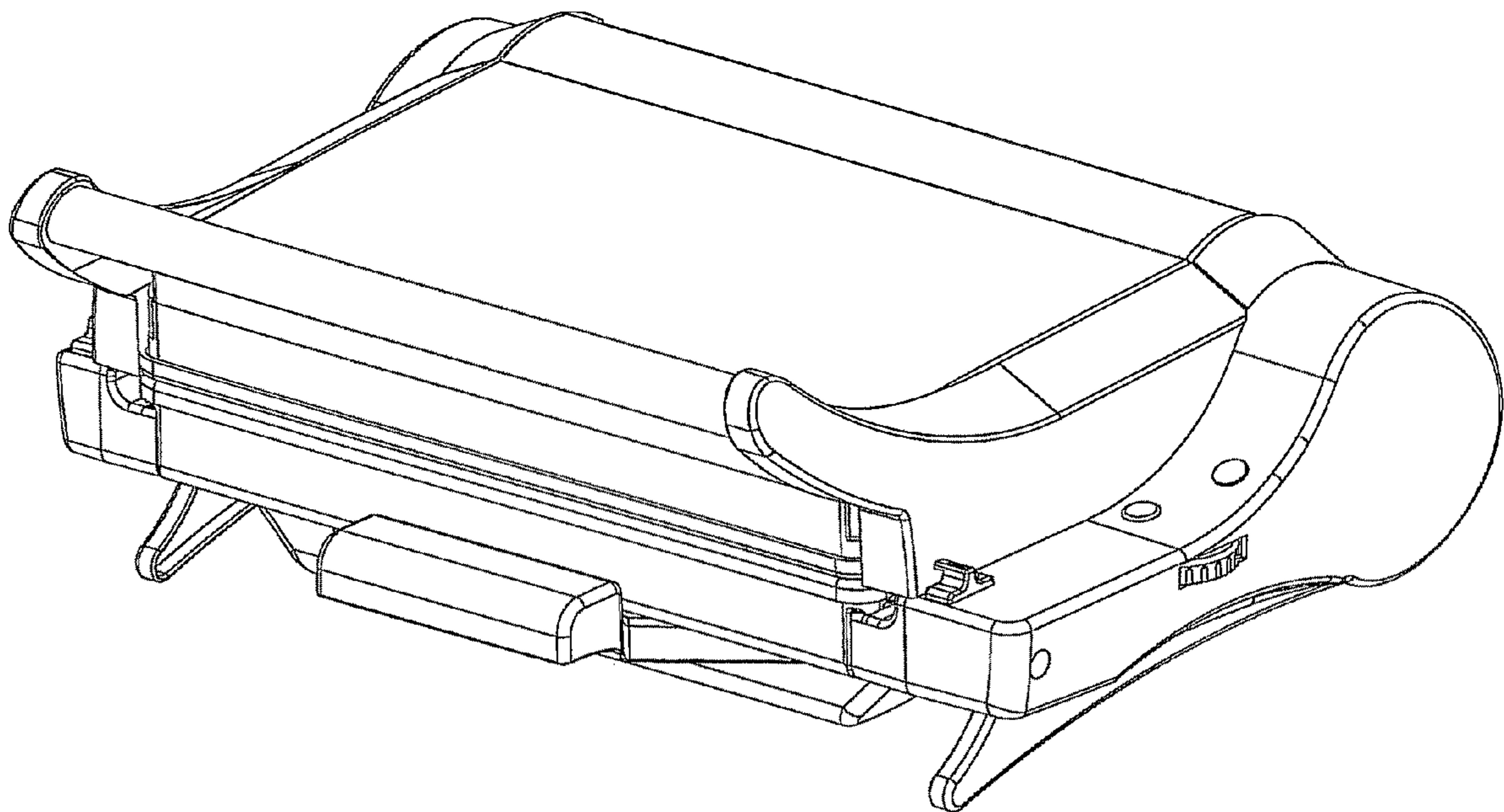


FIG. 1

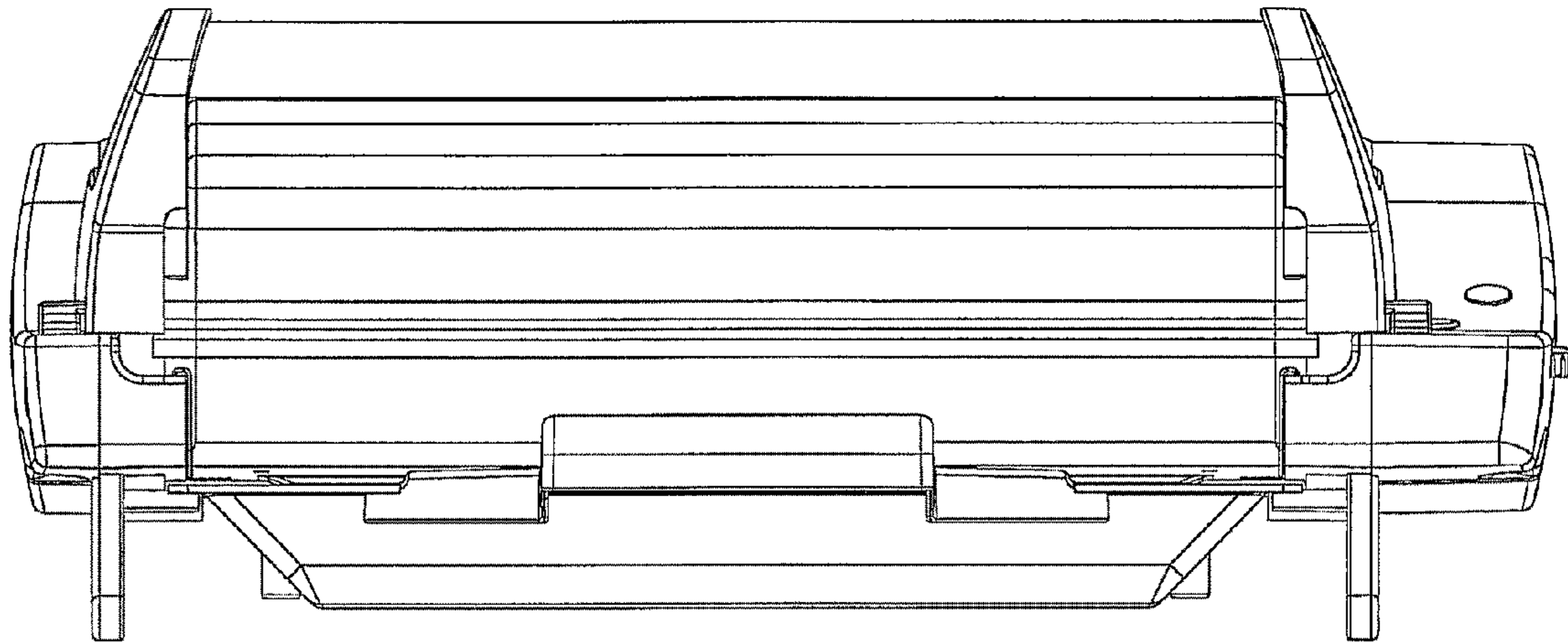


FIG. 2

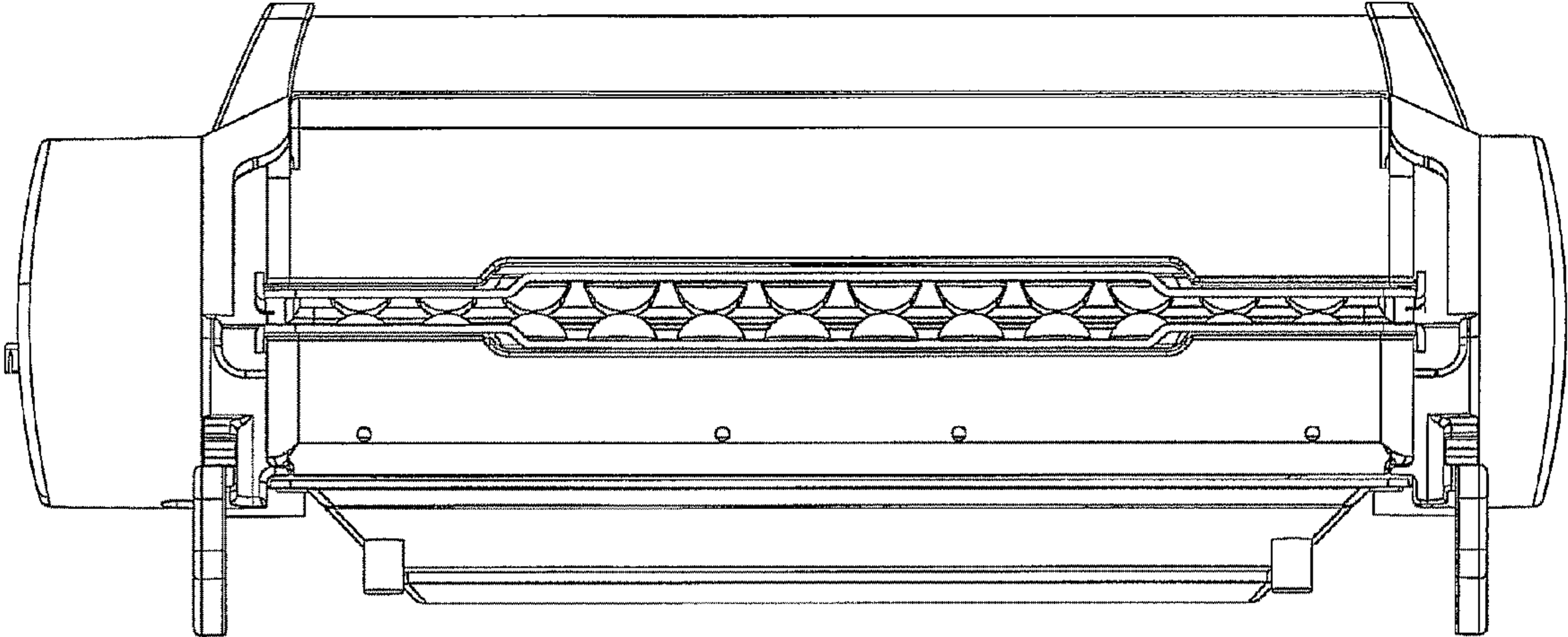


FIG. 3



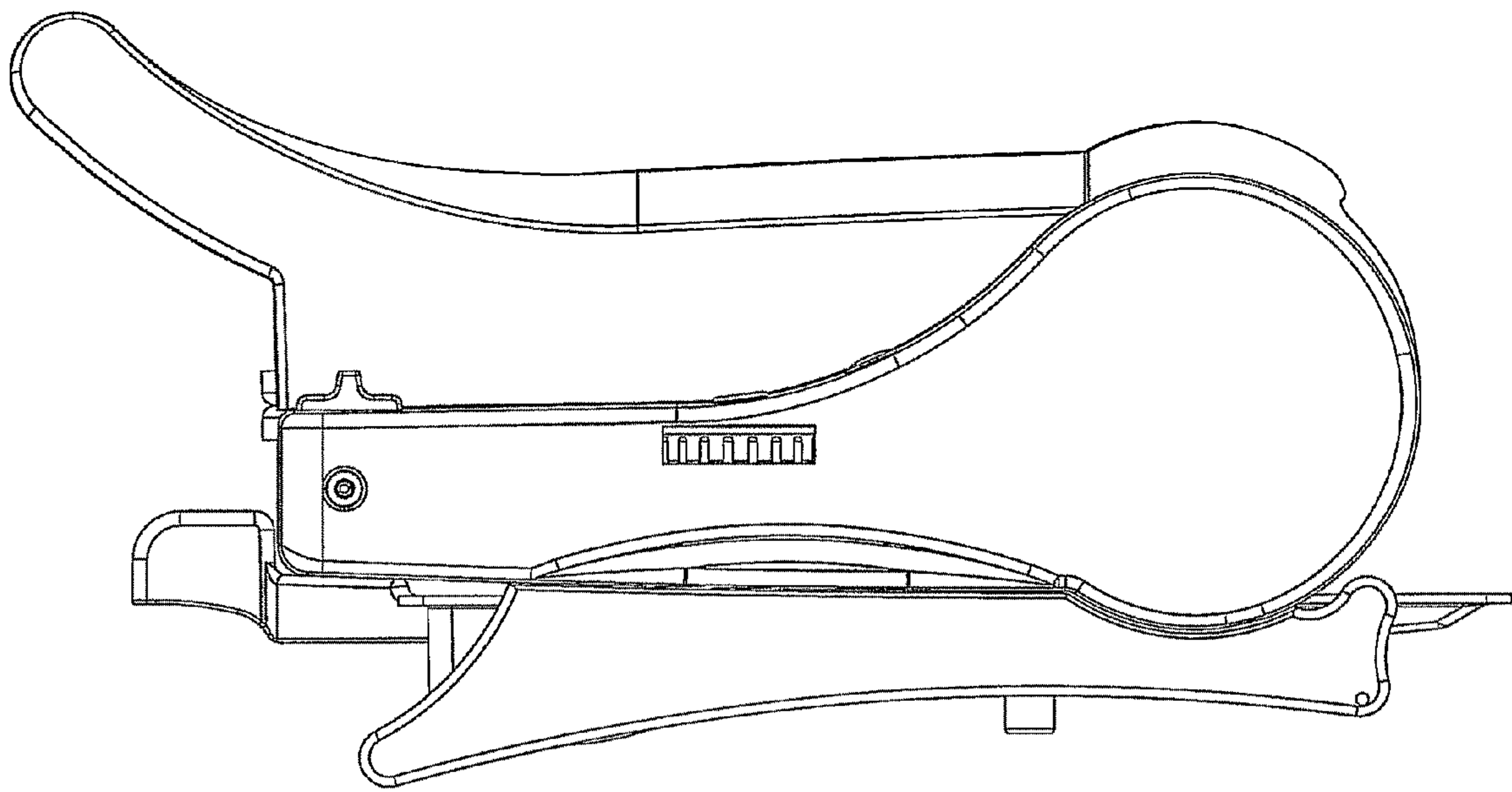


FIG. 4

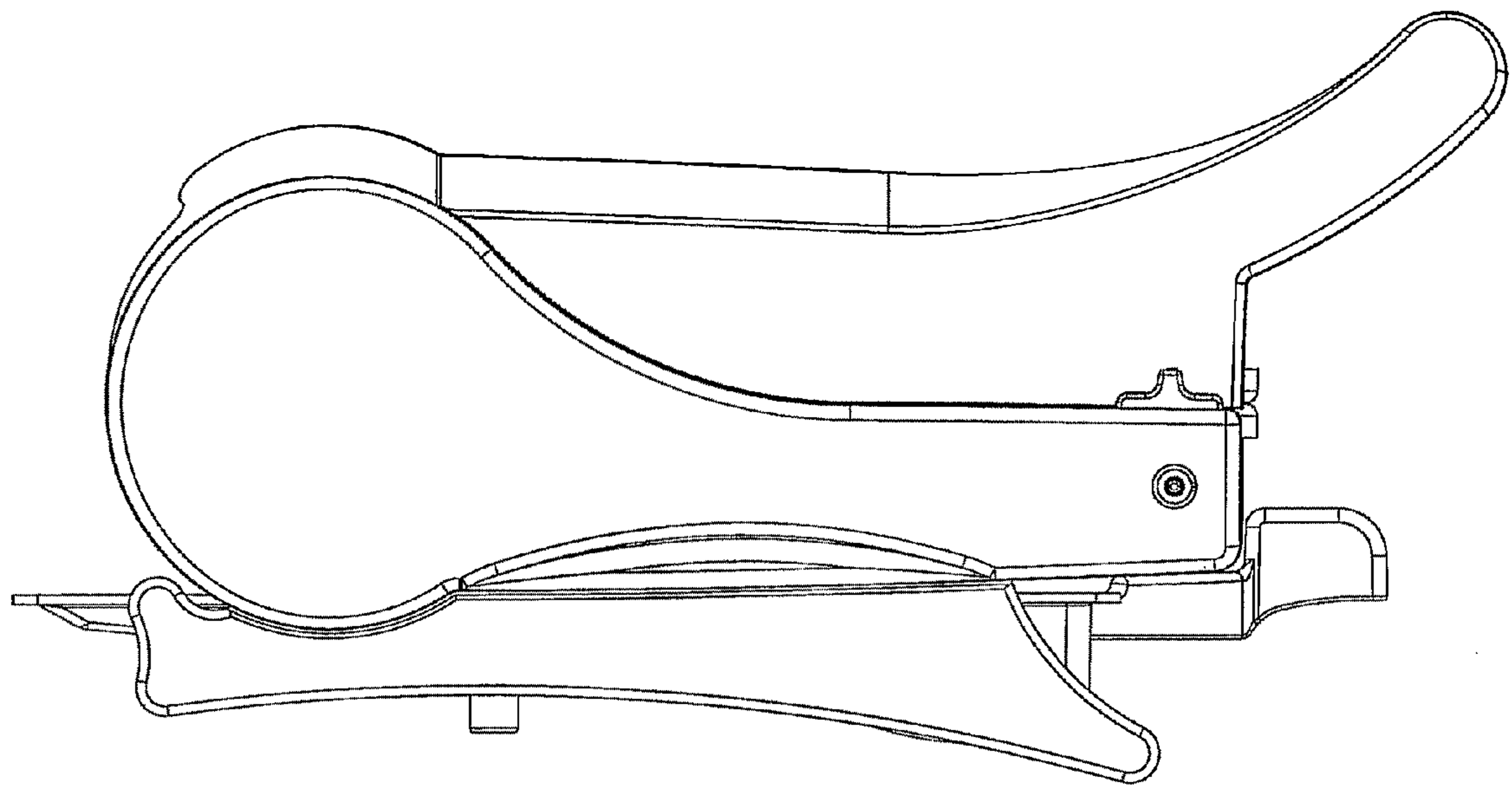


FIG. 5

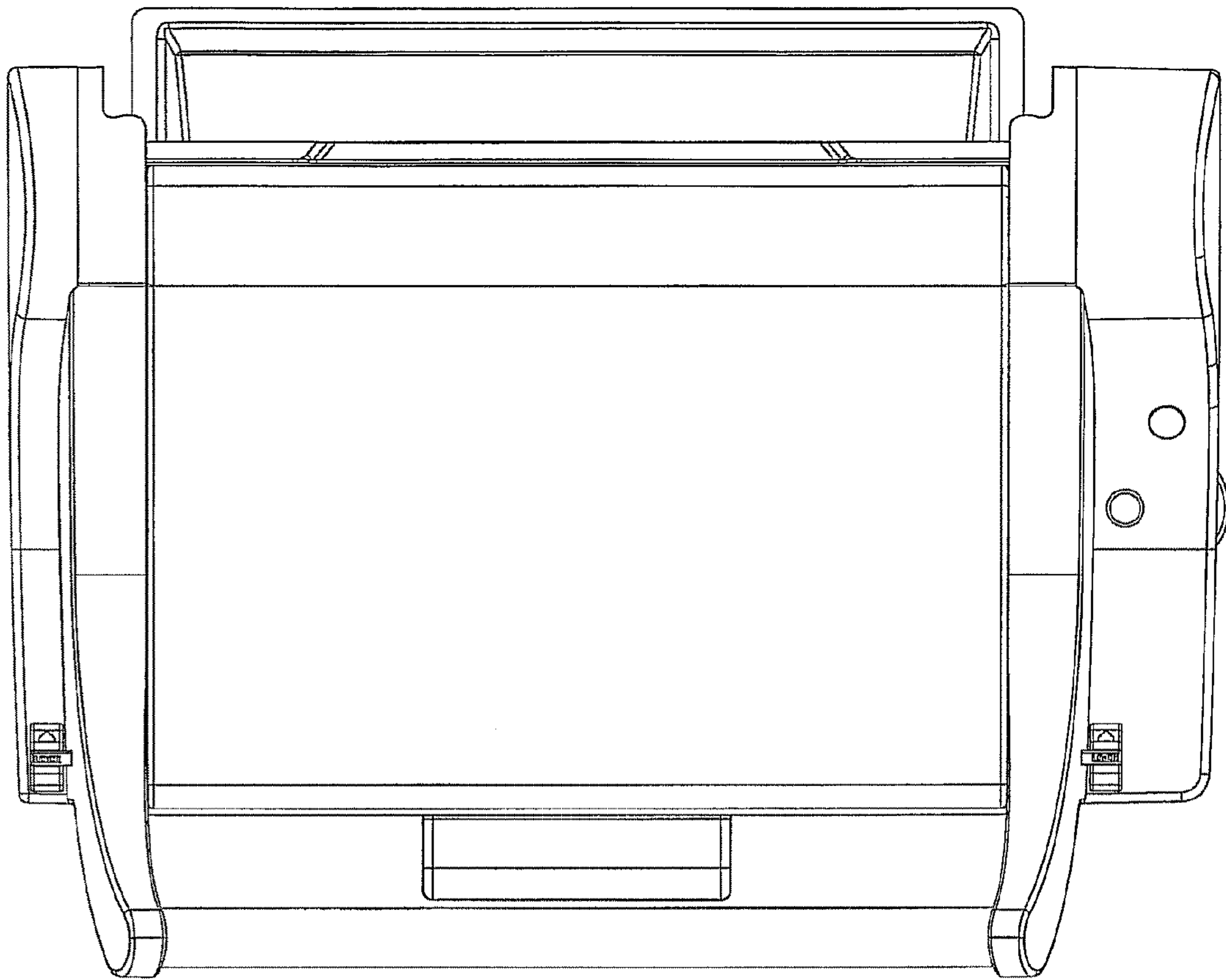


FIG. 6

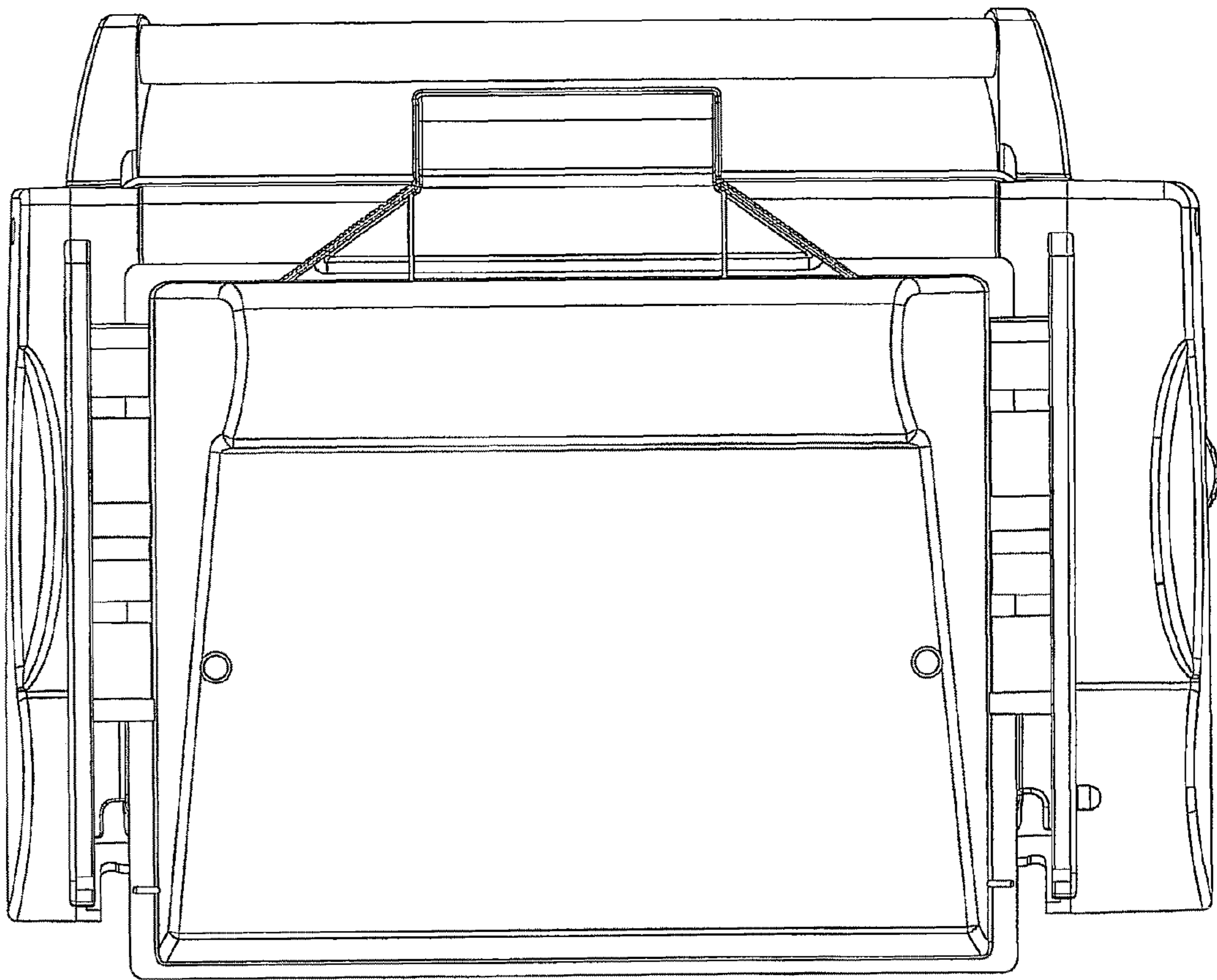


FIG. 7