



US00D634968S

(12) **United States Design Patent**  
**Drummond et al.**

(10) **Patent No.:** **US D634,968 S**  
(45) **Date of Patent:** **\*\* Mar. 29, 2011**

(54) **MICROWAVE OVEN**

(75) Inventors: **Alexandre Chauffaille Drummond**,  
Curitiba (BR); **Gabriel Gemael**  
**Polycarpo Lied**, Curitiba Paraná (BR);  
**Gustavo Eugenio Monteiro Sindeaux**,  
Curitiba Paraná (BR)

(73) Assignee: **Electrolux Do Brasil S/A** (BR)

(\*\*) Term: **14 Years**

(21) Appl. No.: **29/360,931**

(22) Filed: **May 3, 2010**

(30) **Foreign Application Priority Data**

Nov. 3, 2009 (BR) ..... DI6904263

(51) **LOC (9) Cl.** ..... **07-02**

(52) **U.S. Cl.** ..... **D7/351**

(58) **Field of Classification Search** ..... D7/350.1,  
D7/350.3, 350.4, 351, 405; 219/756, 757,  
219/758, 391; 126/19 M, 21 A, 275 E, 275 R;  
99/352

See application file for complete search history.

(56) **References Cited**

**U.S. PATENT DOCUMENTS**

D310,616 S \* 9/1990 Murai et al. .... D7/351  
D431,957 S \* 10/2000 Taira ..... D7/351  
D433,268 S \* 11/2000 Taira ..... D7/351

D433,269 S \* 11/2000 Taira ..... D7/351  
D436,285 S \* 1/2001 Taira ..... D7/351  
D436,793 S \* 1/2001 Taira ..... D7/351  
D442,018 S \* 5/2001 Kusachi et al. .... D7/351  
D460,659 S \* 7/2002 Hessen et al. .... D7/351  
D461,365 S \* 8/2002 Hessen et al. .... D7/405  
D463,198 S \* 9/2002 Nishikawa ..... D7/351  
D463,199 S \* 9/2002 Choi ..... D7/351  
D463,200 S \* 9/2002 Choi ..... D7/351  
D521,309 S \* 5/2006 Carlini ..... D7/350.1

\* cited by examiner

*Primary Examiner* — Ruth McInroy

(74) *Attorney, Agent, or Firm* — Banner & Witcoff, Ltd.

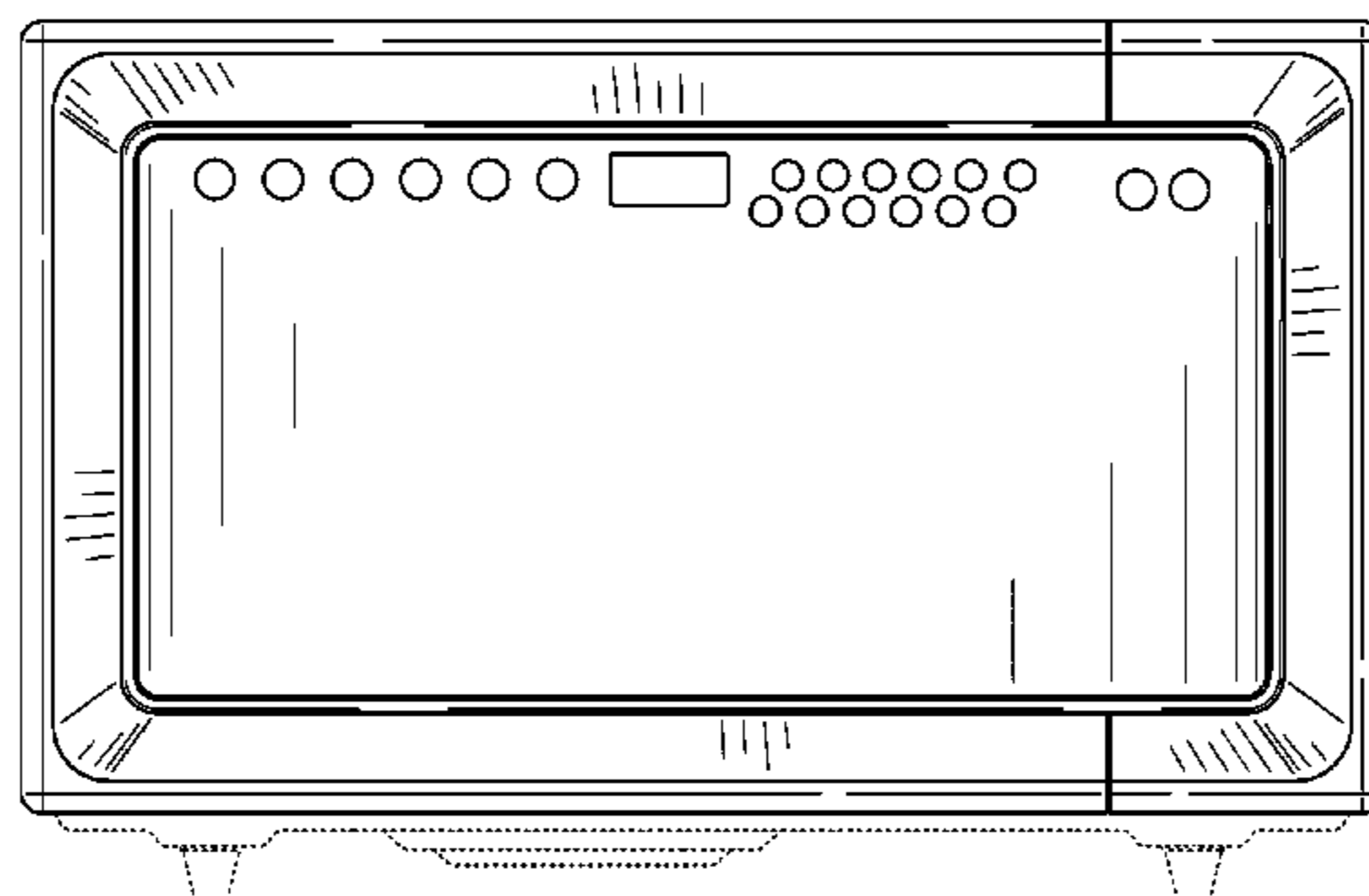
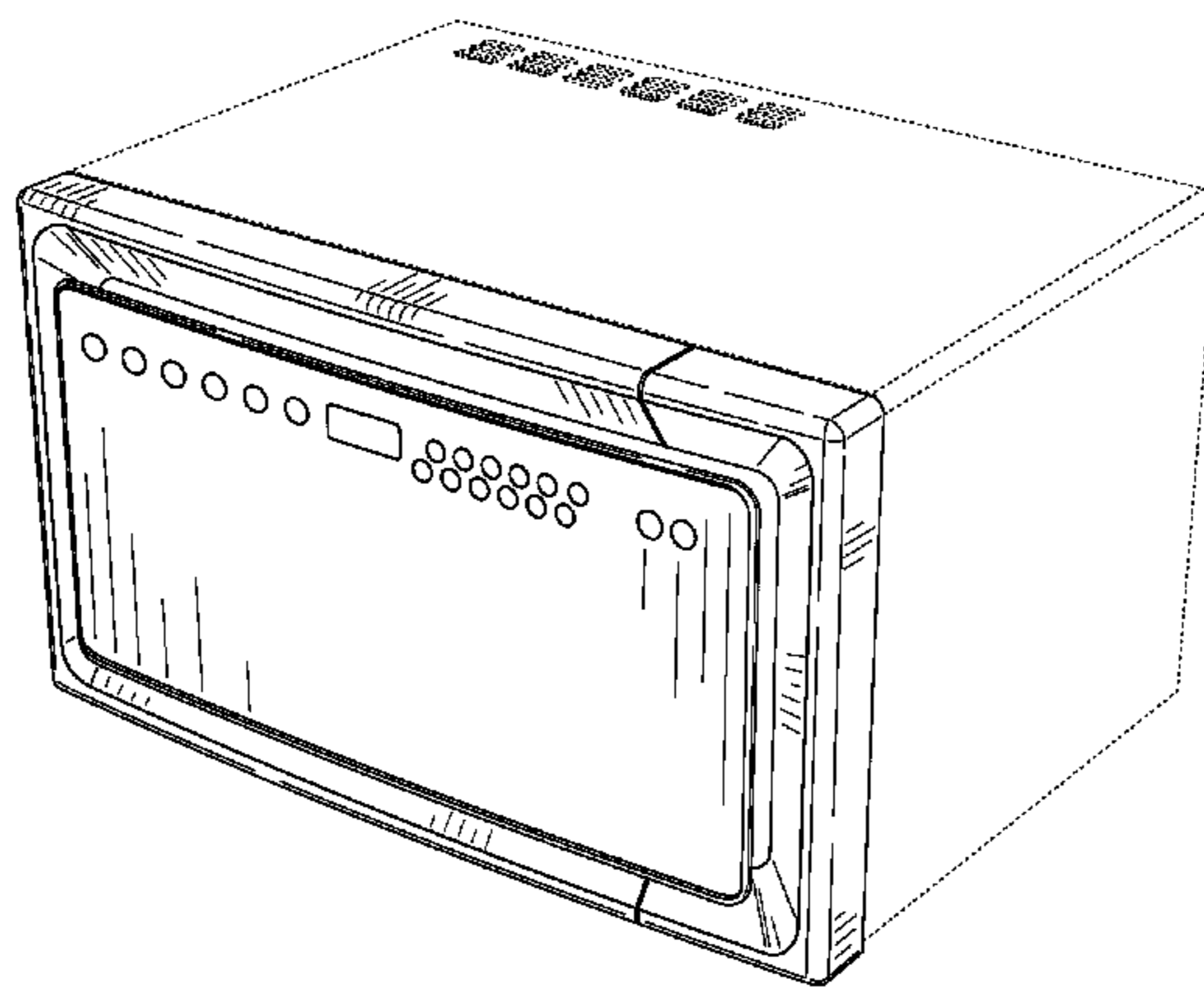
(57) **CLAIM**

The ornamental design for a microwave oven, as shown and described.

**DESCRIPTION**

FIG. 1 is a perspective front view of a microwave oven showing our new design;  
FIG. 2 is a front view thereof;  
FIG. 3 is a left side view thereof;  
FIG. 4 is a right side view thereof;  
FIG. 5 is a top view thereof;  
FIG. 6 is a bottom view thereof; and,  
FIG. 7 is a perspective front view of FIG. 1, with the door shown in a partially open position.  
The details shown in broken lines form no part of the claimed design.

**1 Claim, 7 Drawing Sheets**



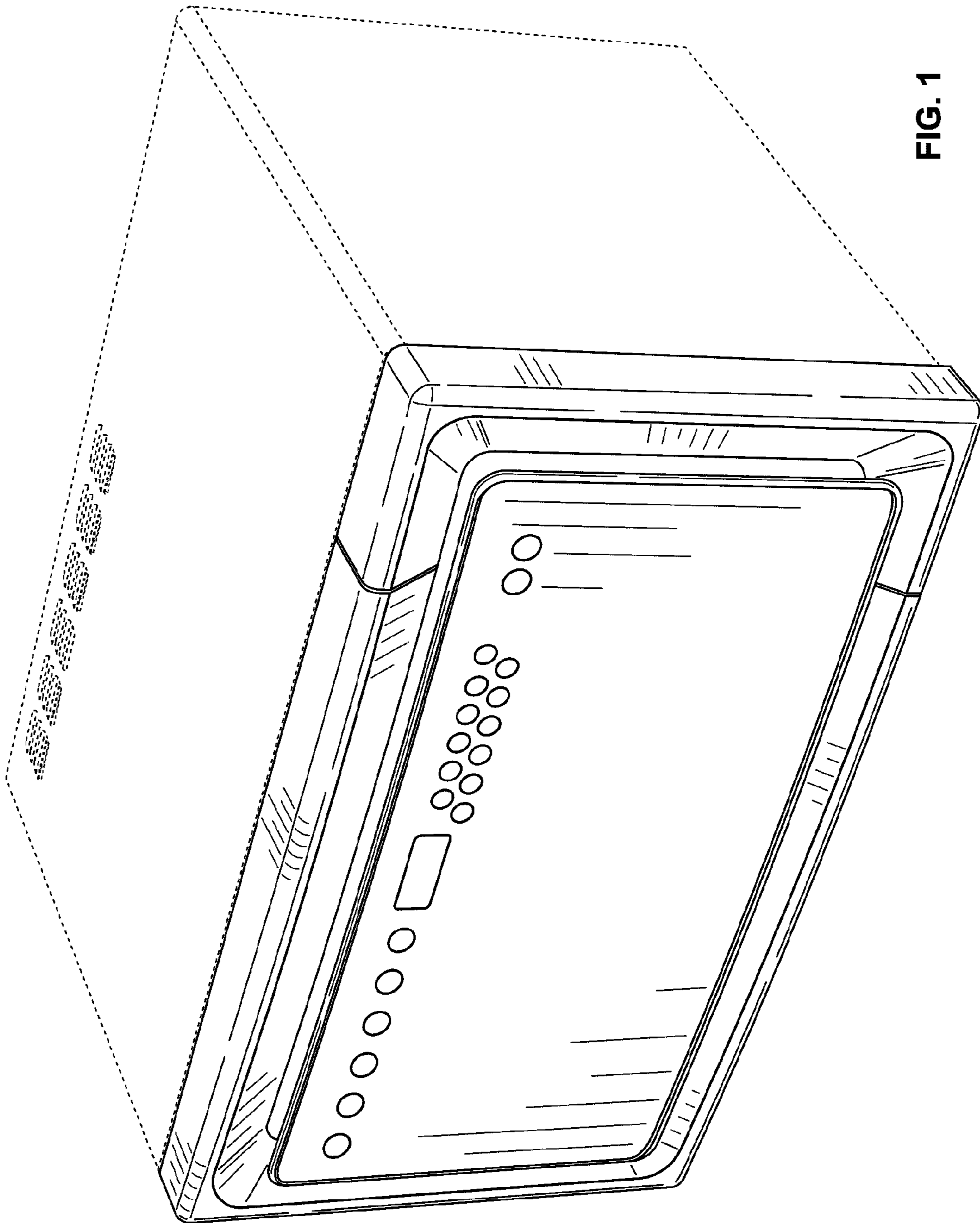


FIG. 1

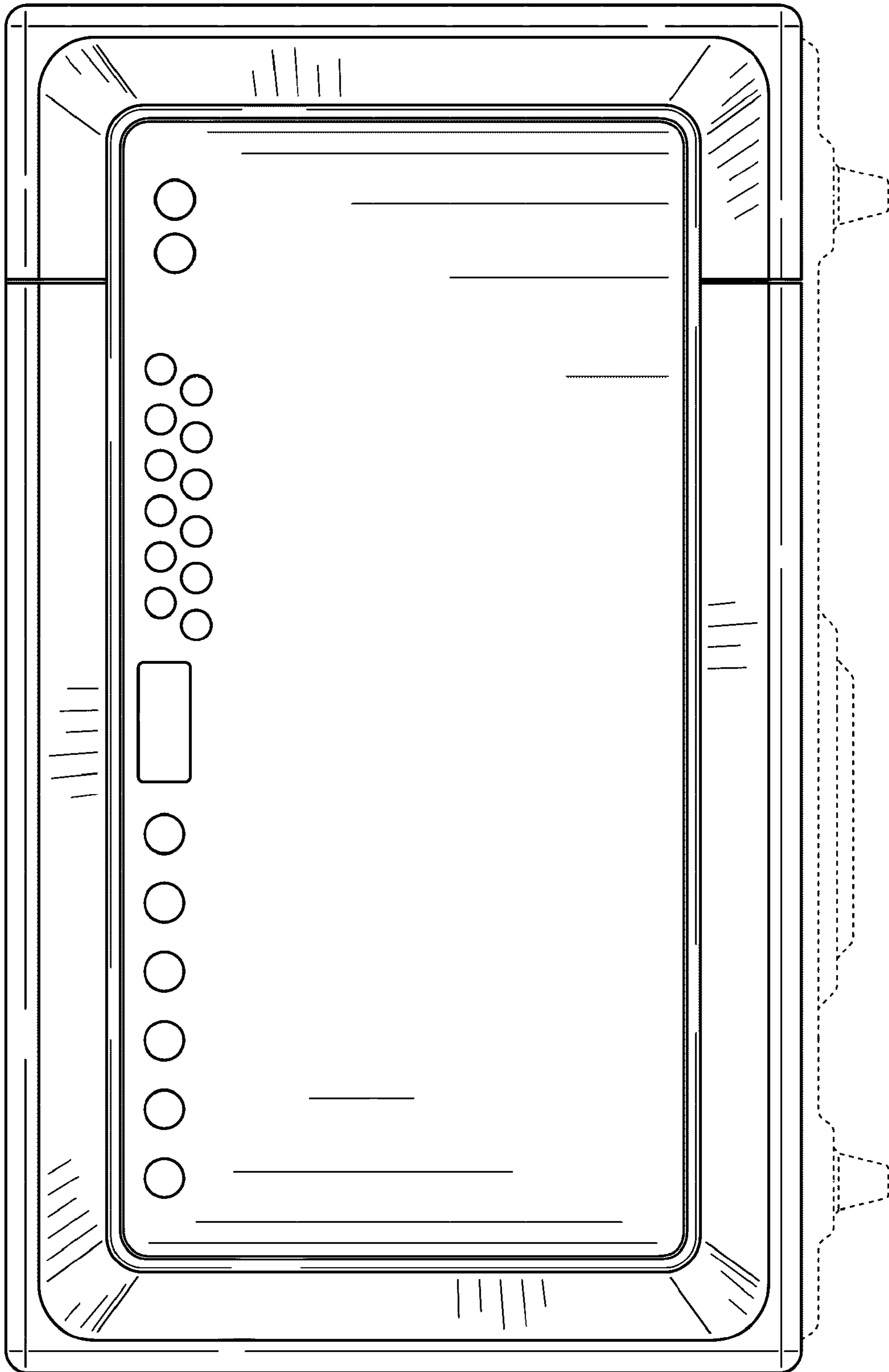


FIG. 2

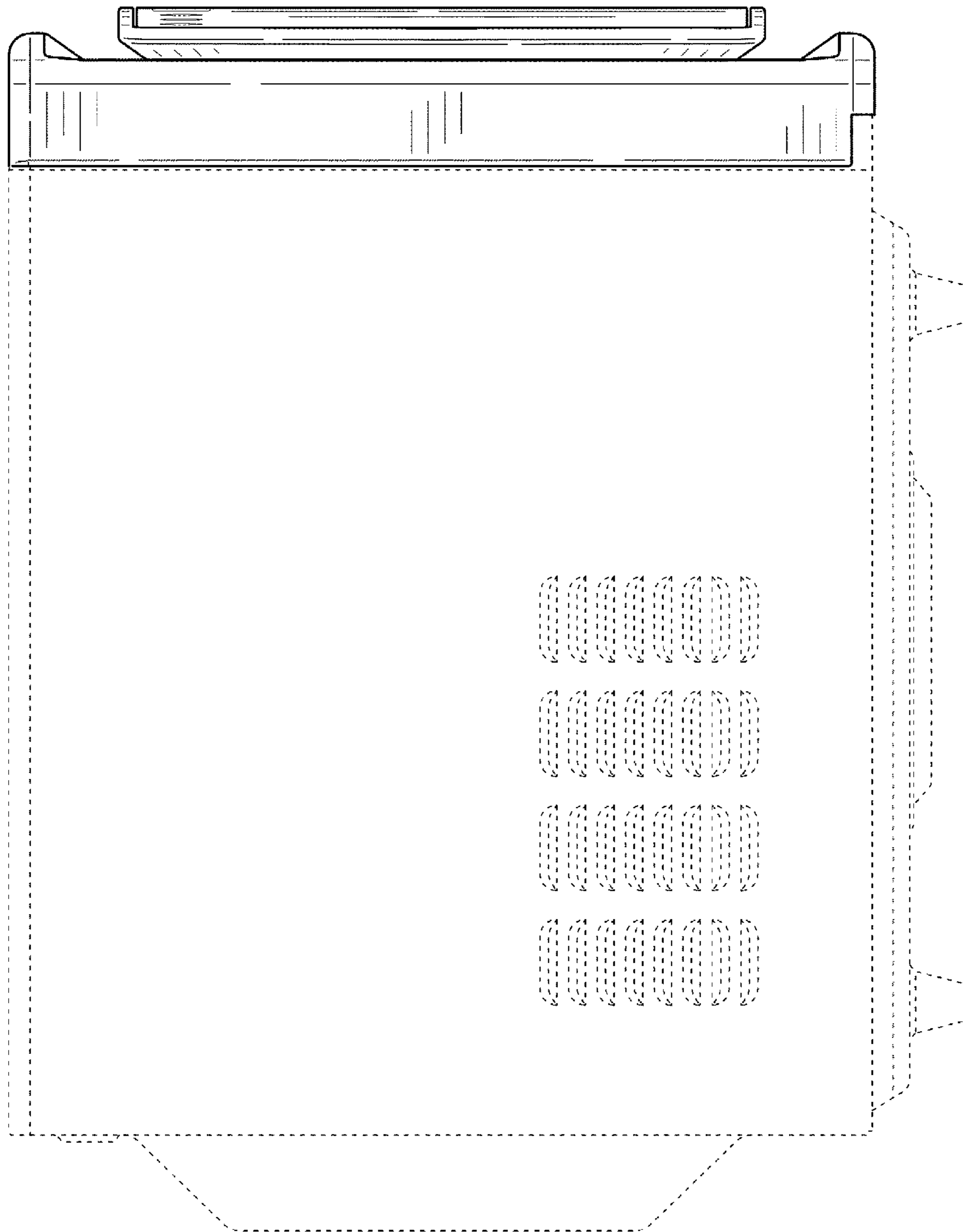


FIG. 3

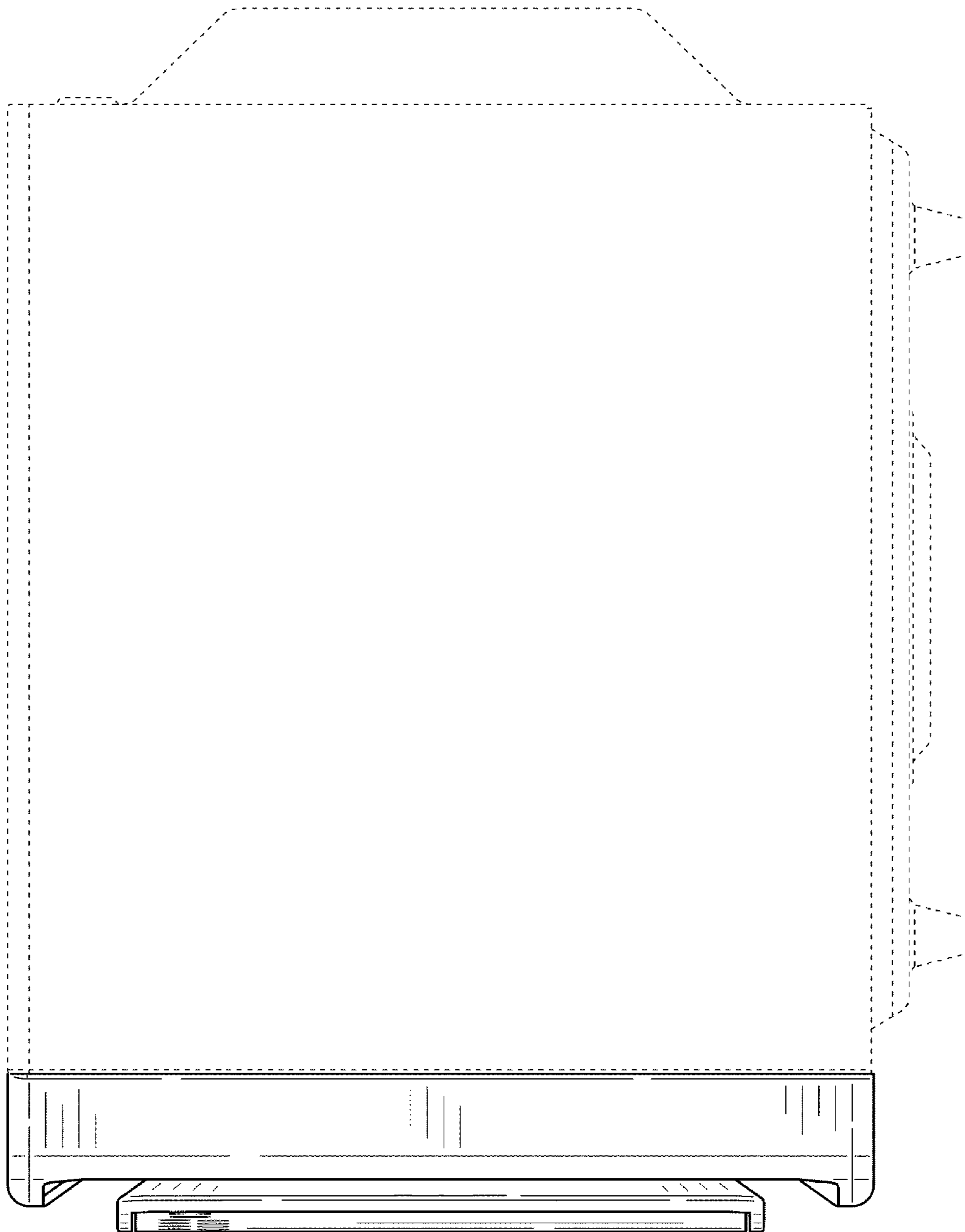


FIG. 4

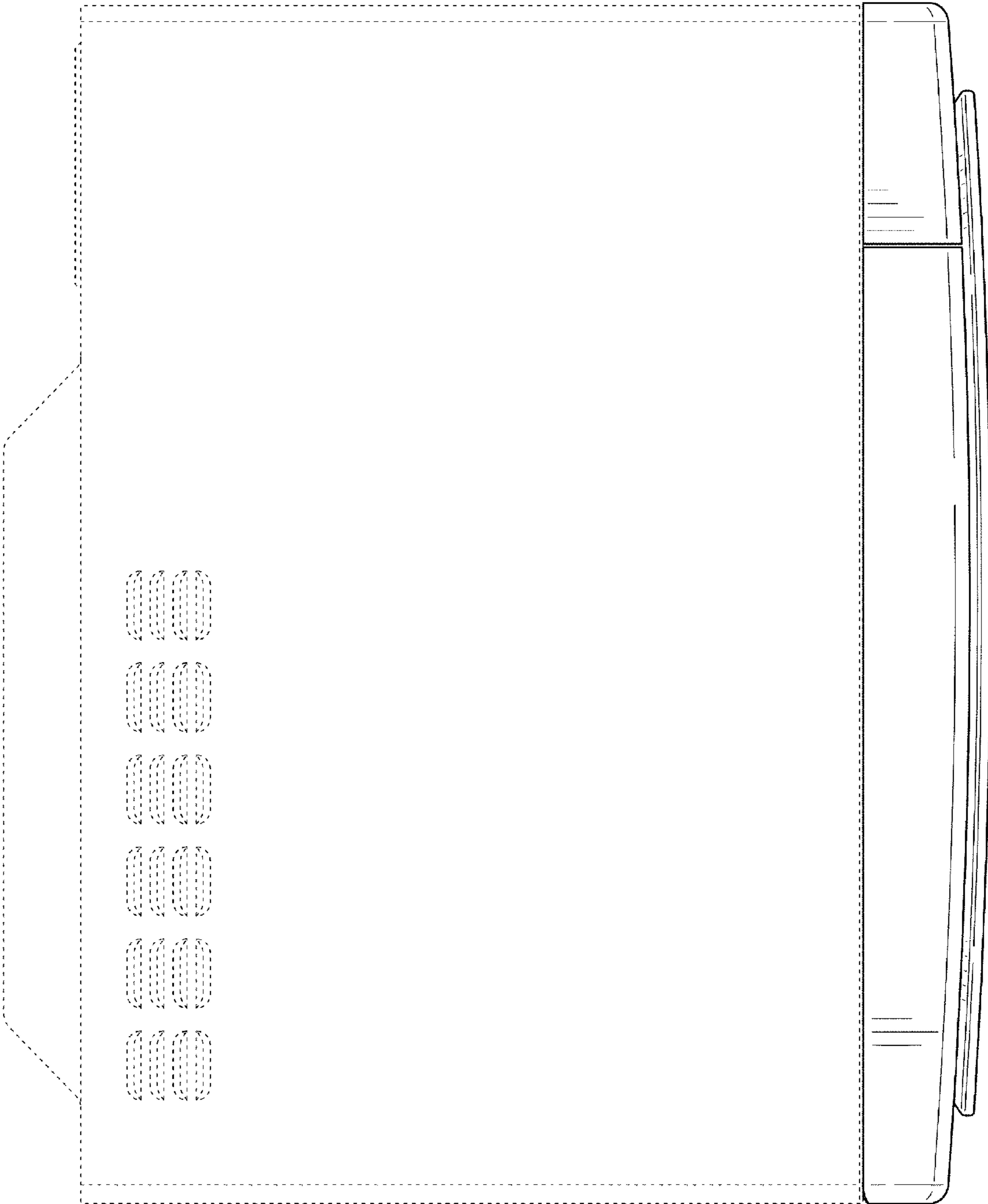
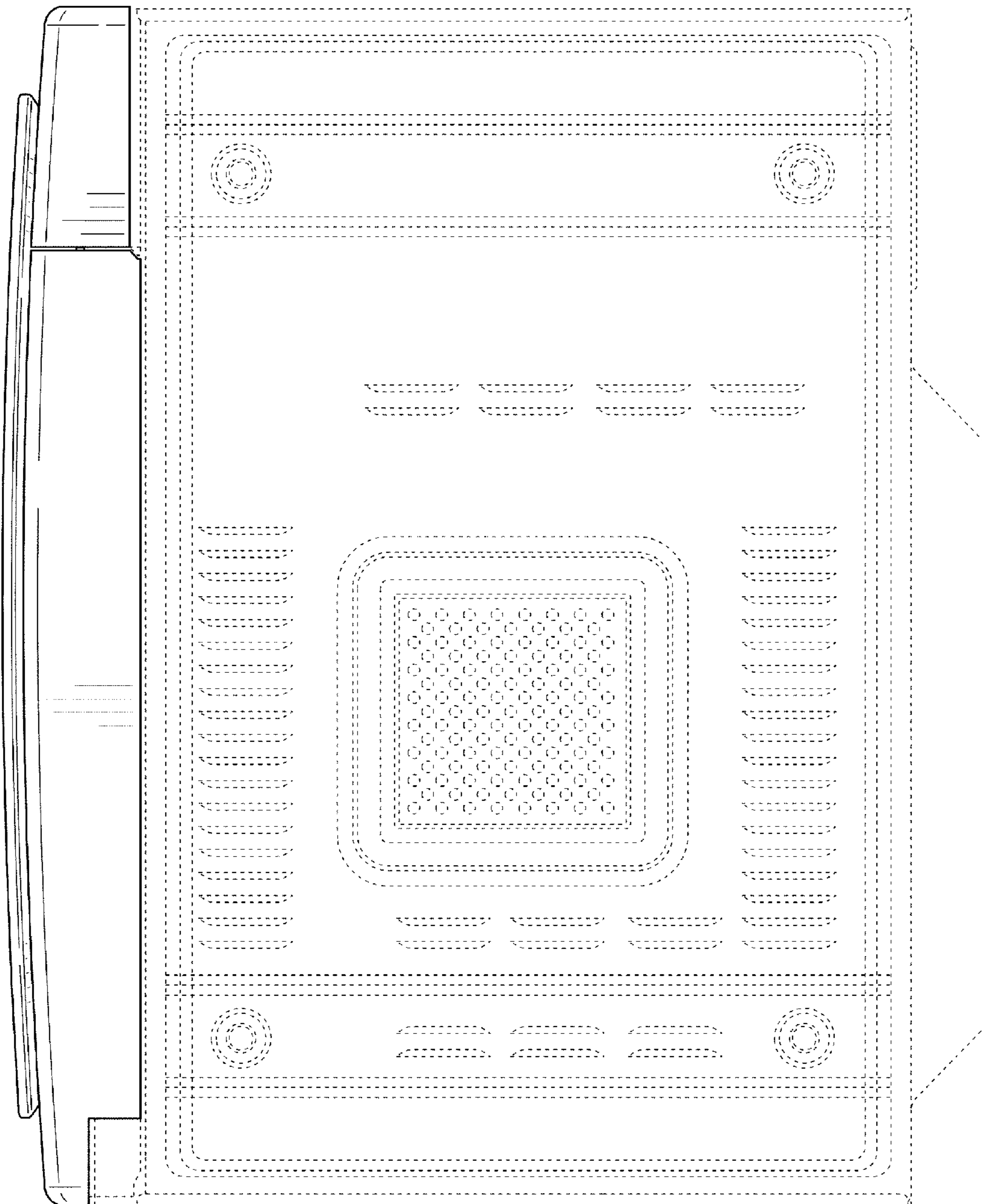


FIG. 5

FIG. 6



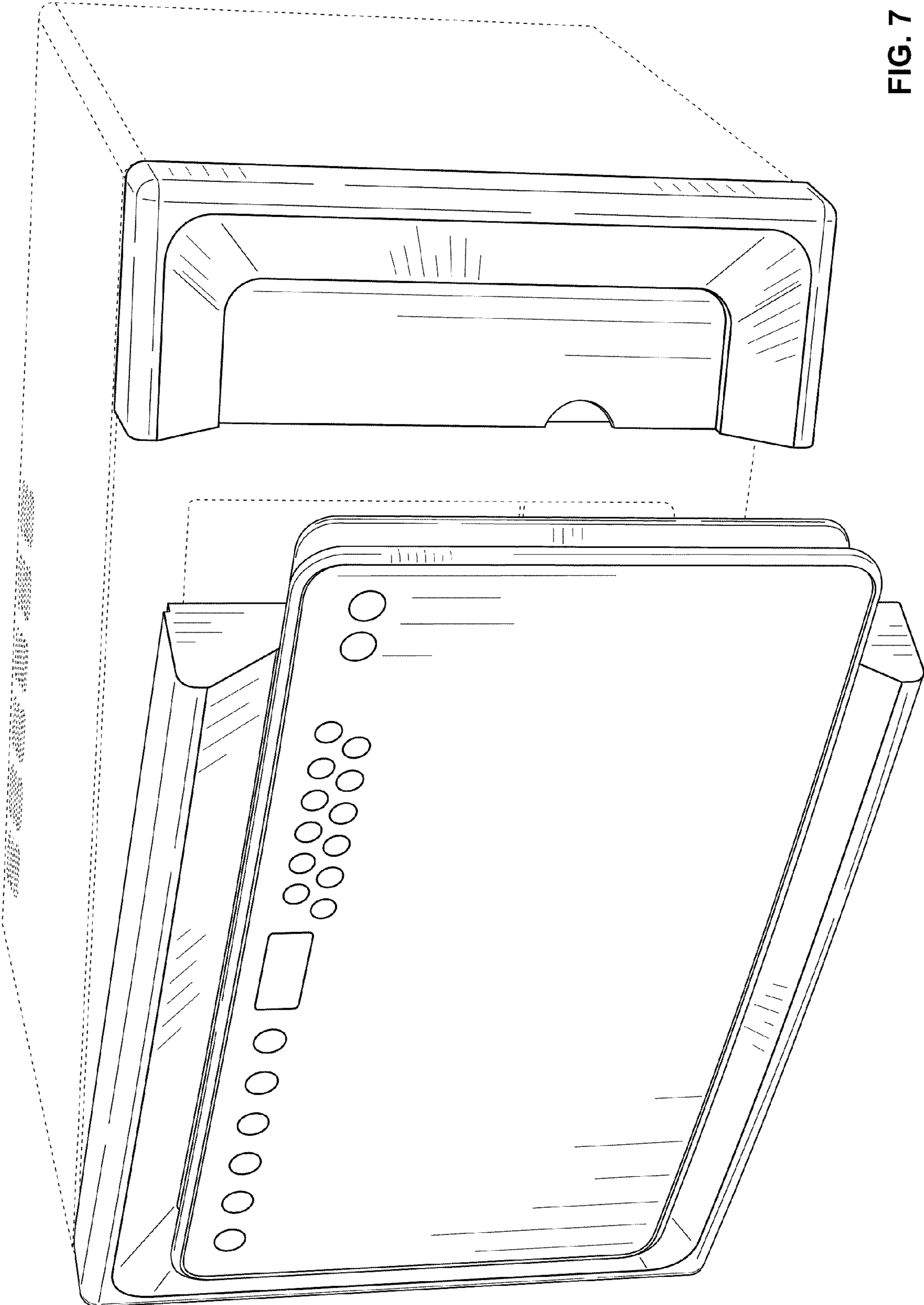


FIG. 7