



US00D634967S

(12) **United States Design Patent**
Drummond et al.

(10) **Patent No.:** **US D634,967 S**

(45) **Date of Patent:** **** Mar. 29, 2011**

(54) **MICROWAVE OVEN**

(75) Inventors: **Alexandre Chauffaille Drummond**,
Curitiba (BR); **Gabriel Gemael**
Polycarpo Lied, Curitiba Paraná (BR);
Gustavo Eugenio Monteiro Sindeaux,
Curitiba Paraná (BR)

(73) Assignee: **Electrolux Do Brasil S/A** (BR)

(**) Term: **14 Years**

(21) Appl. No.: **29/360,930**

(22) Filed: **May 3, 2010**

(30) **Foreign Application Priority Data**

Nov. 3, 2009 (BR) DI6904263-2

(51) **LOC (9) Cl.** **07-02**

(52) **U.S. Cl.** **D7/351**

(58) **Field of Classification Search** D7/350.1,
D7/350.3, 350.4, 351, 405; 219/756, 757,
219/758, 391; 126/19 M, 21 A, 275 E, 275 R;
99/352

See application file for complete search history.

(56) **References Cited**

U.S. PATENT DOCUMENTS

D310,616 S * 9/1990 Murai et al. D7/351
D431,957 S * 10/2000 Taira D7/351
D433,268 S * 11/2000 Taira D7/351

D433,269 S * 11/2000 Taira D7/351
D436,285 S * 1/2001 Taira D7/351
D436,793 S * 1/2001 Taira D7/351
D442,018 S * 5/2001 Kusachi et al. D7/351
D460,659 S * 7/2002 Hessen et al. D7/351
D461,365 S * 8/2002 Hessen et al. D7/405
D463,198 S * 9/2002 Nishikawa D7/351
D463,199 S * 9/2002 Choi D7/351
D463,200 S * 9/2002 Choi D7/351
D521,309 S * 5/2006 Carlini D7/350.1

* cited by examiner

Primary Examiner — Ruth McInroy

(74) *Attorney, Agent, or Firm* — Banner & Witcoff, Ltd.

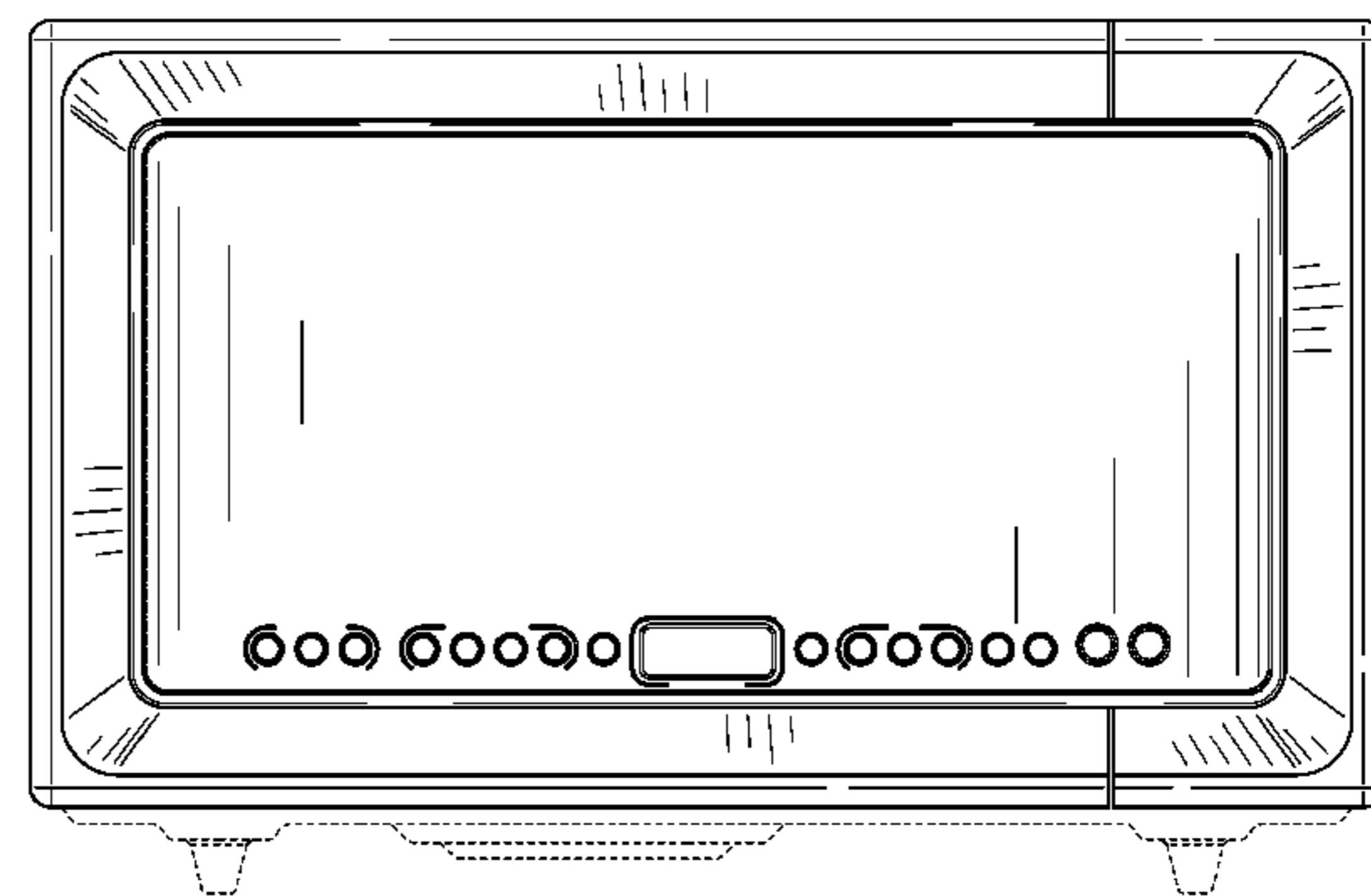
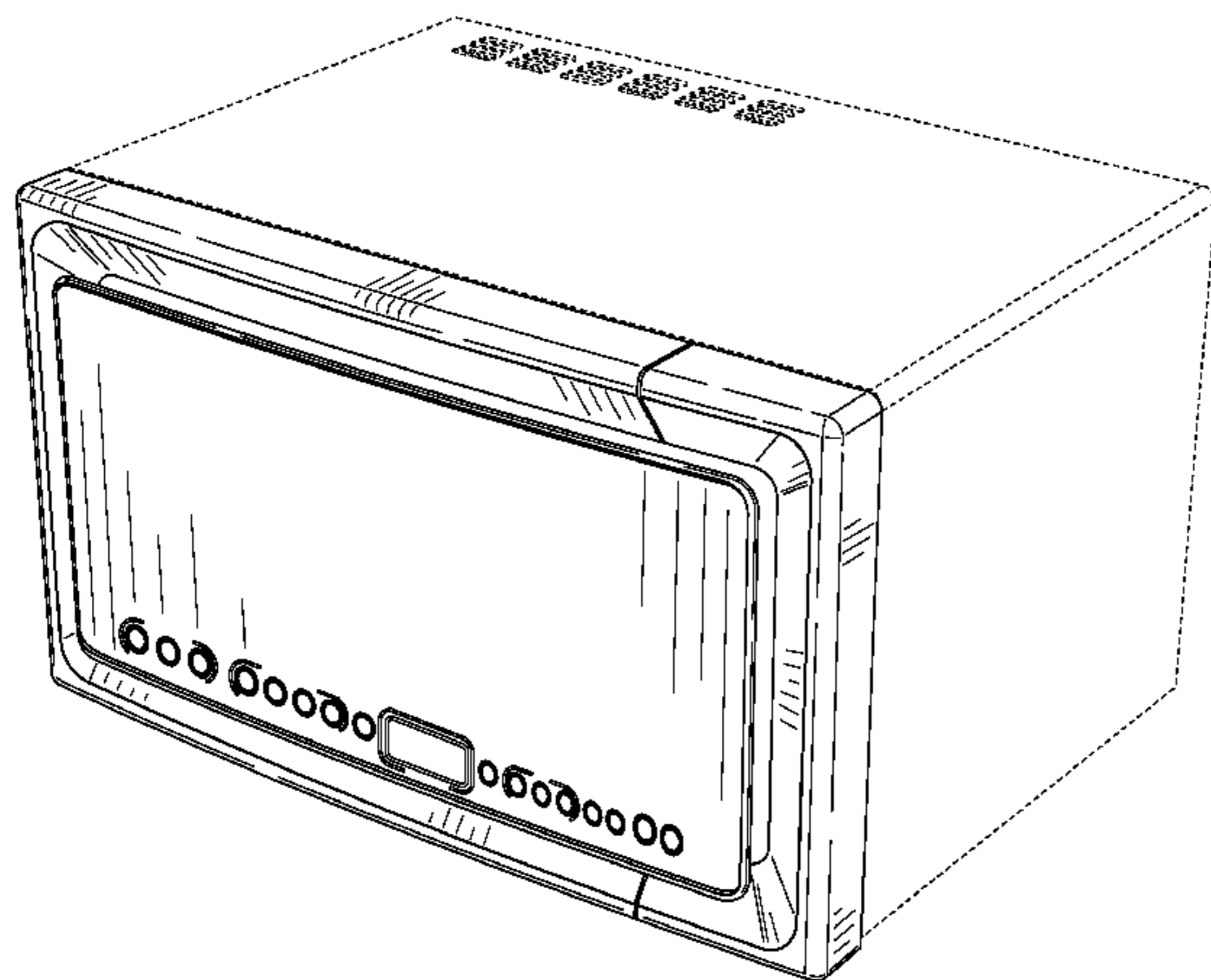
(57) **CLAIM**

The ornamental design for a microwave oven, as shown and described.

DESCRIPTION

FIG. 1 is a perspective front view of a microwave oven showing our new design;
FIG. 2 is a front view thereof;
FIG. 3 is a left side view thereof;
FIG. 4 is a right side view thereof;
FIG. 5 is a top view thereof;
FIG. 6 is a bottom view thereof; and,
FIG. 7 is a perspective front view of FIG. 1, with the door shown in a partially open position.
The details shown in broken lines form no part of the claimed design.

1 Claim, 7 Drawing Sheets



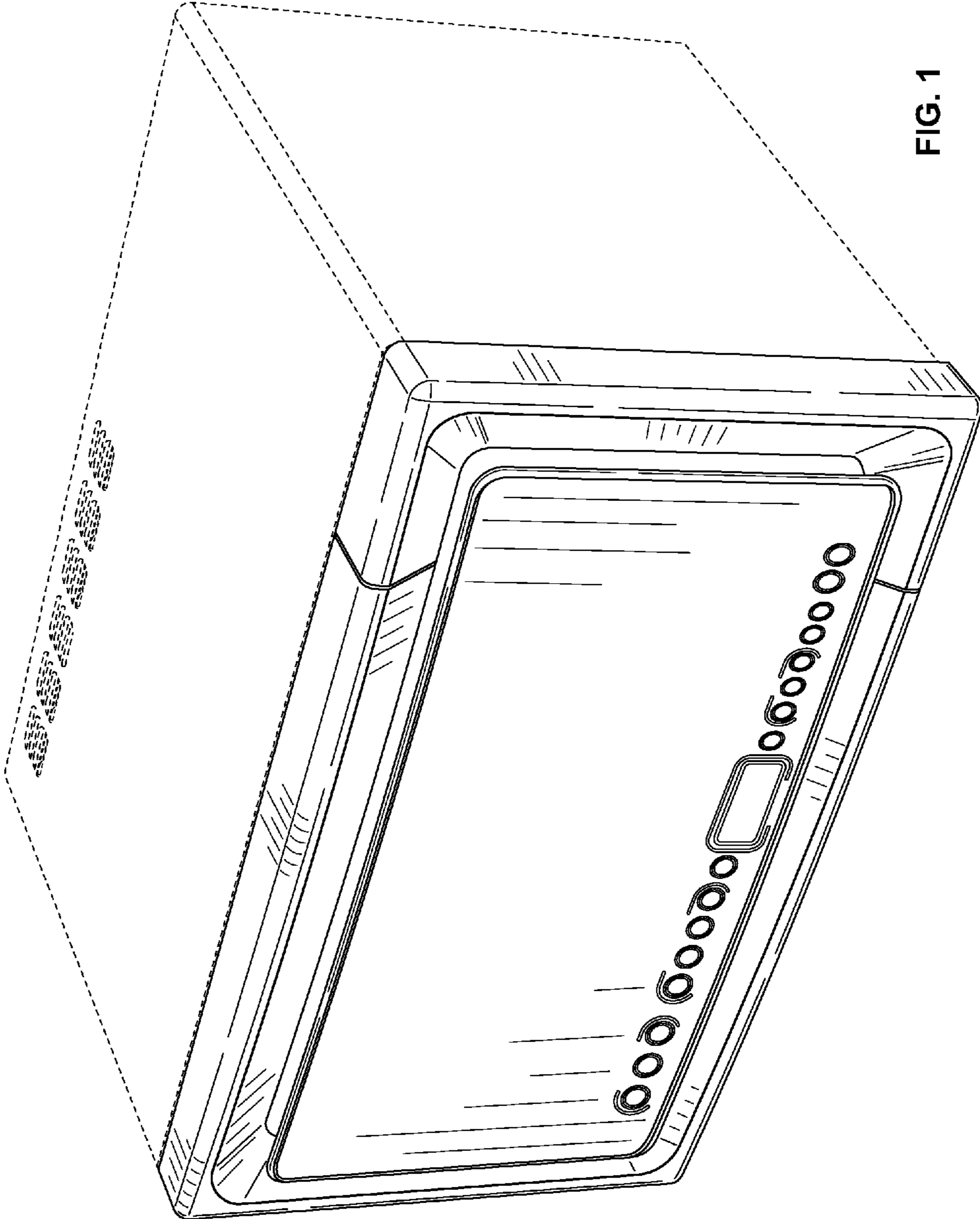


FIG. 1

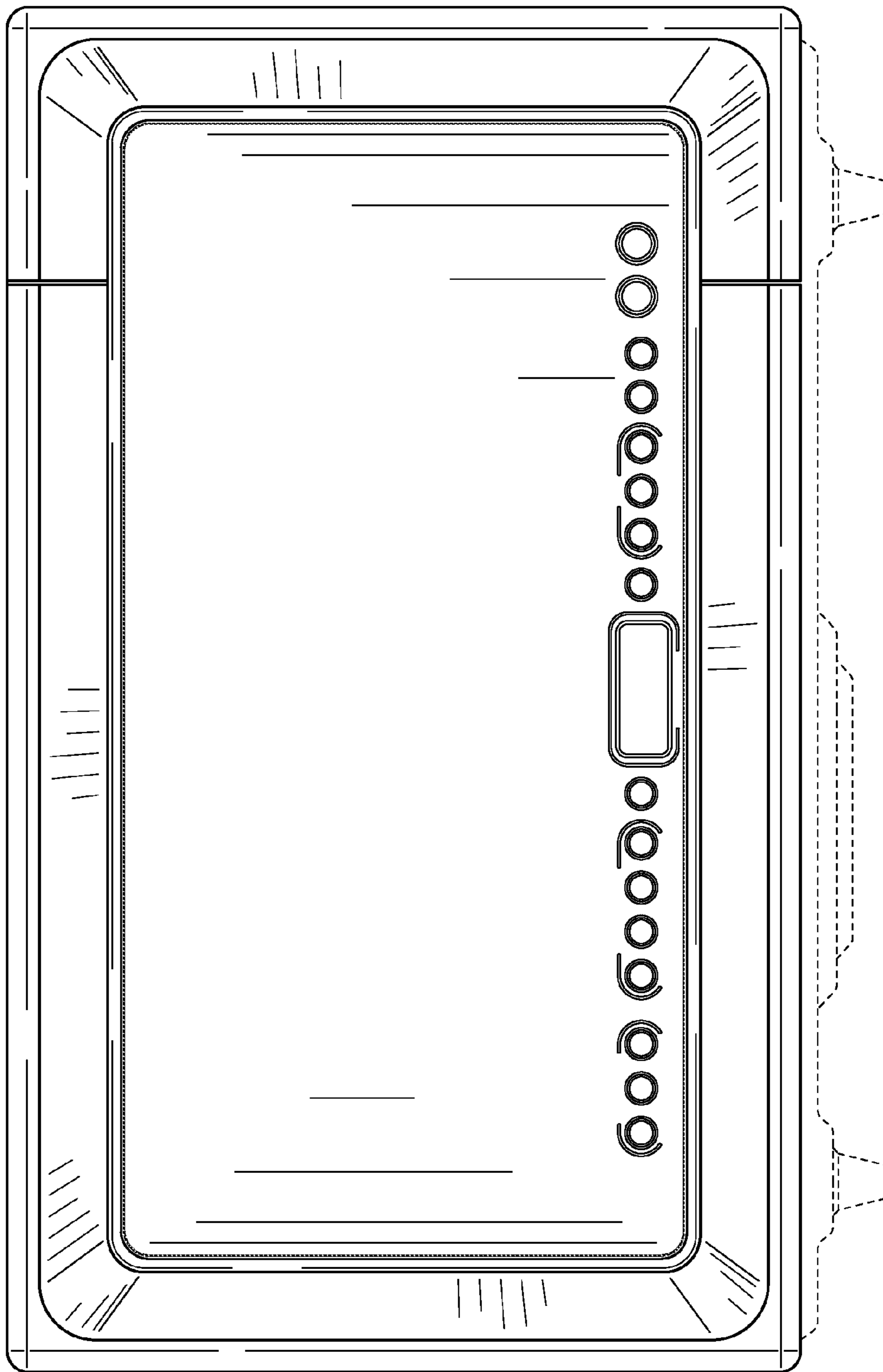


FIG. 2

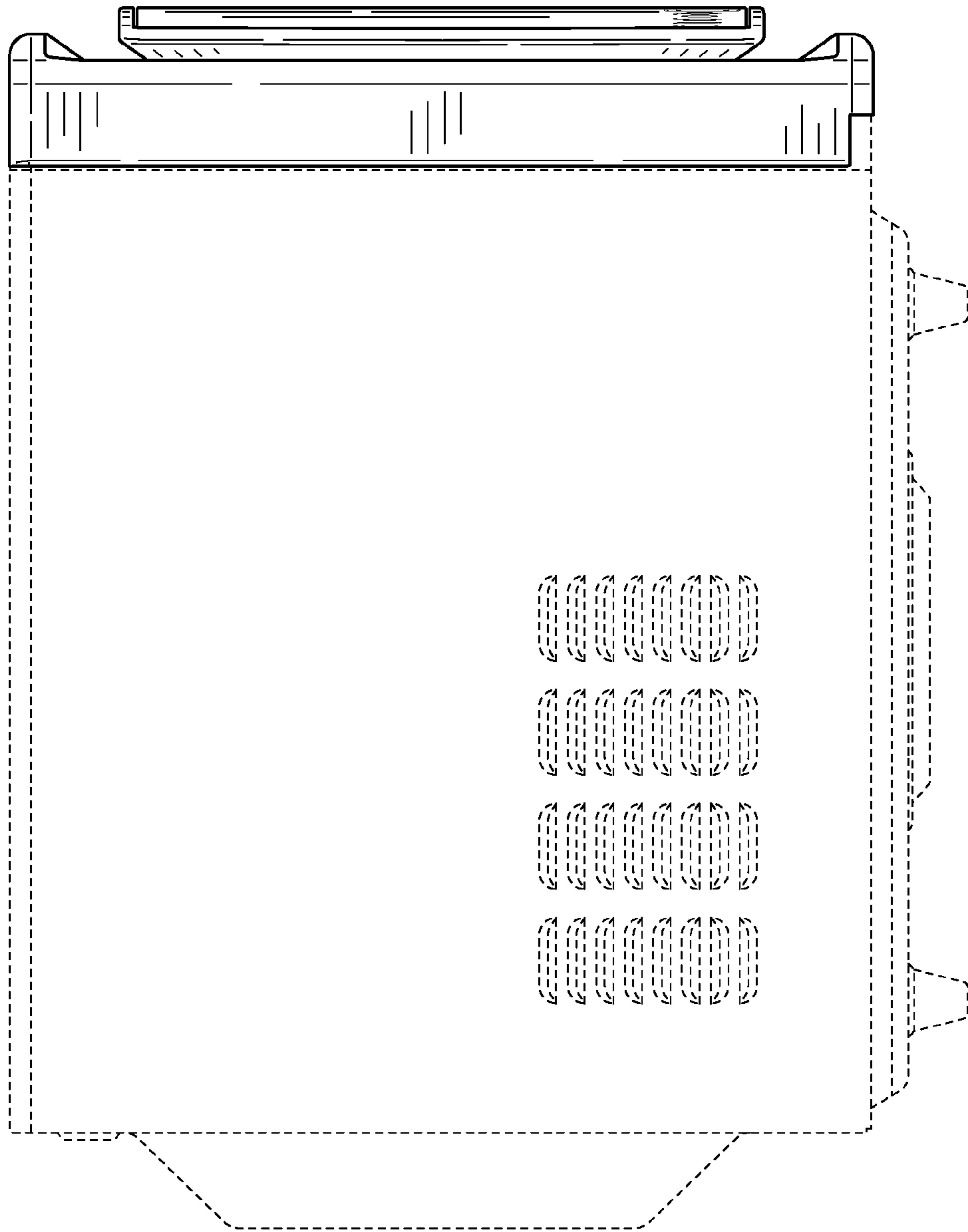


FIG. 3

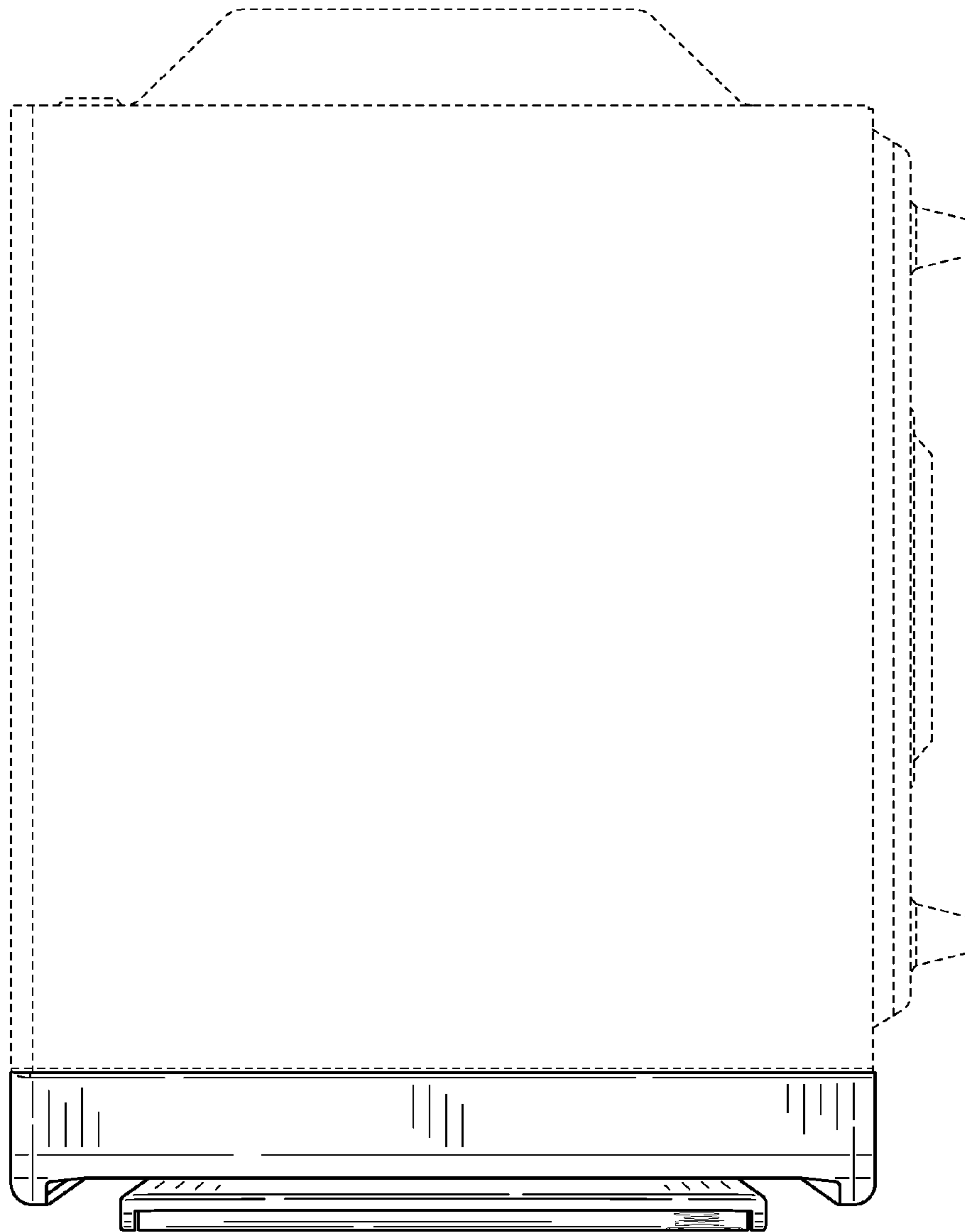


FIG. 4

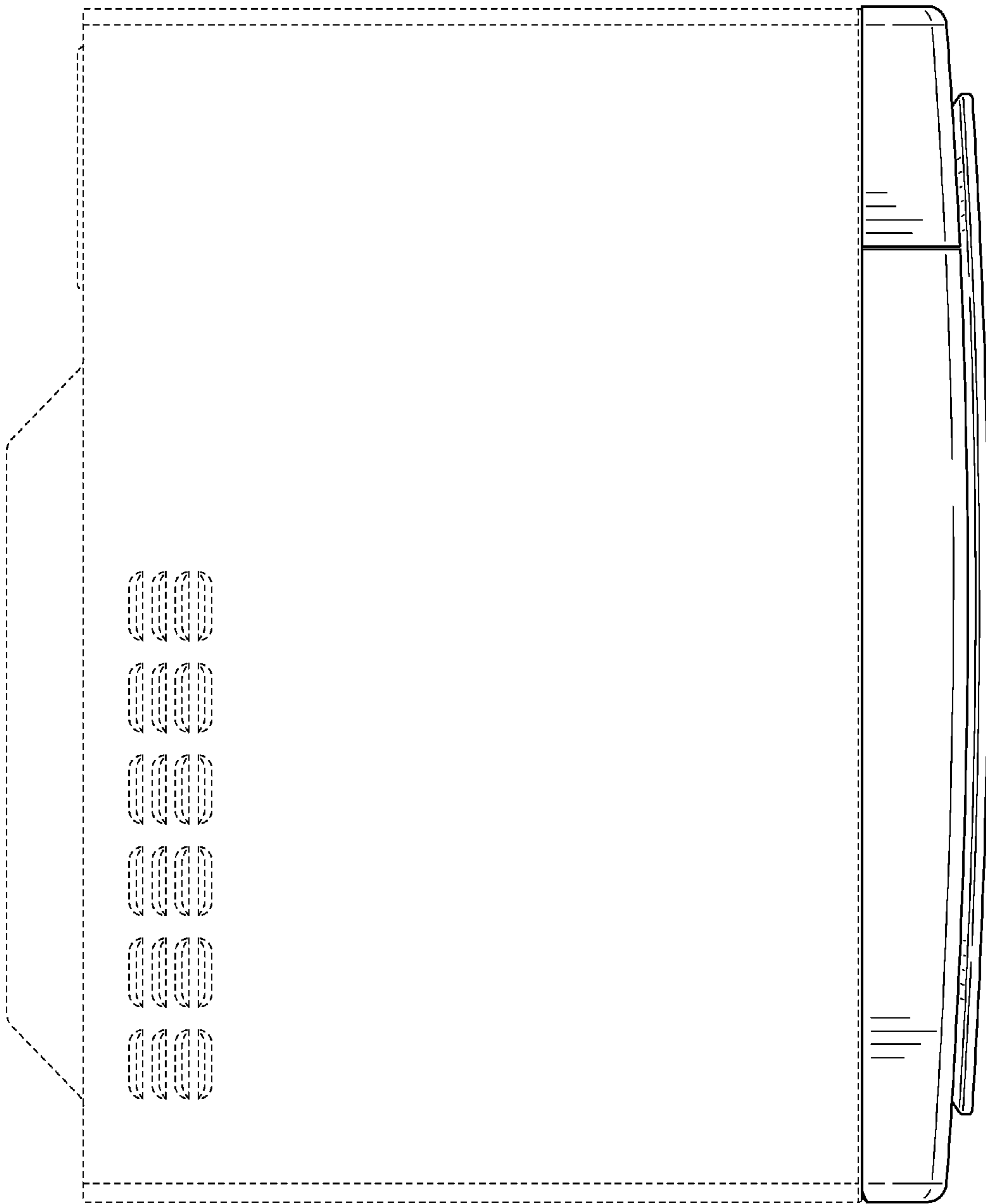


FIG. 5

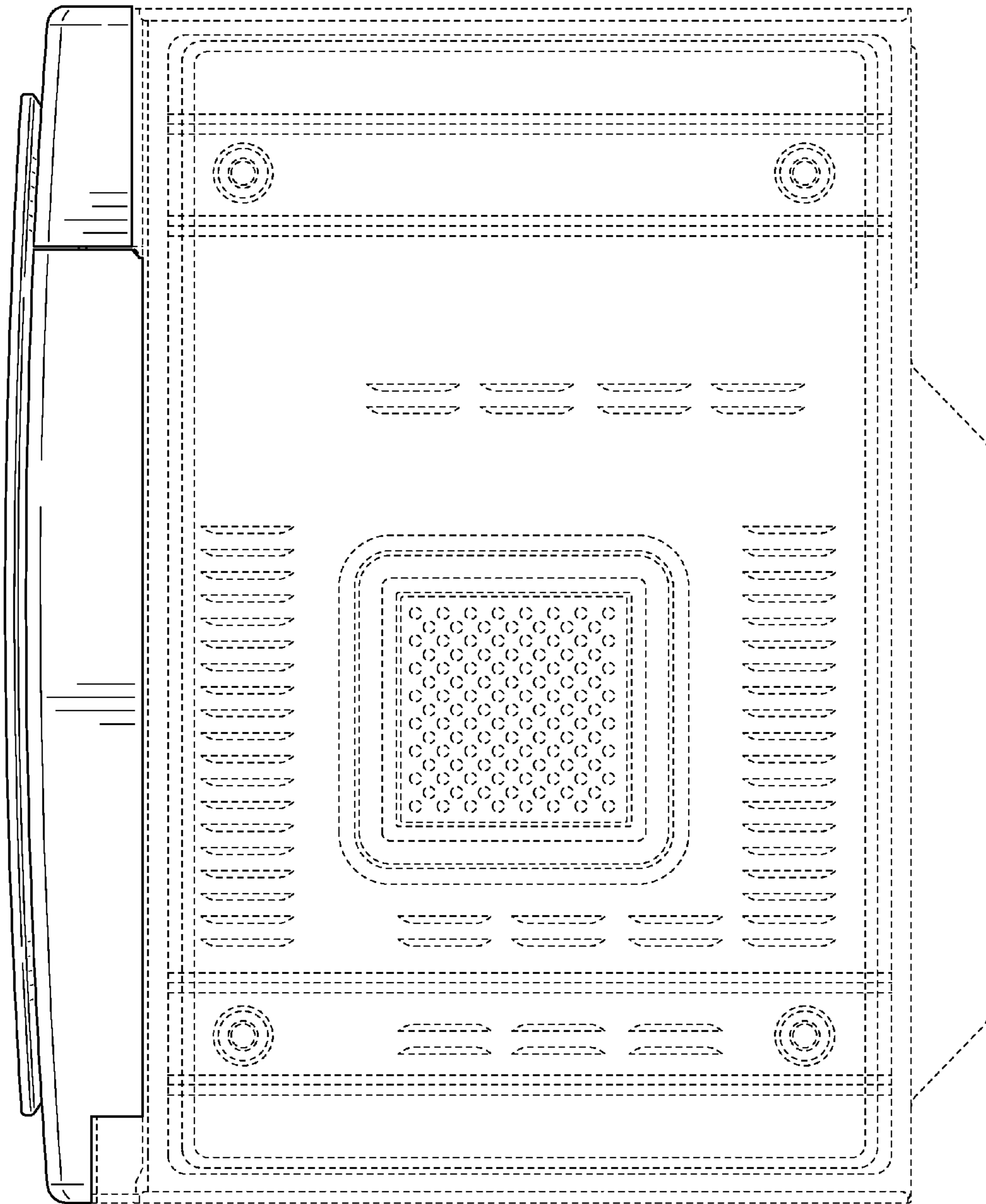


FIG. 6

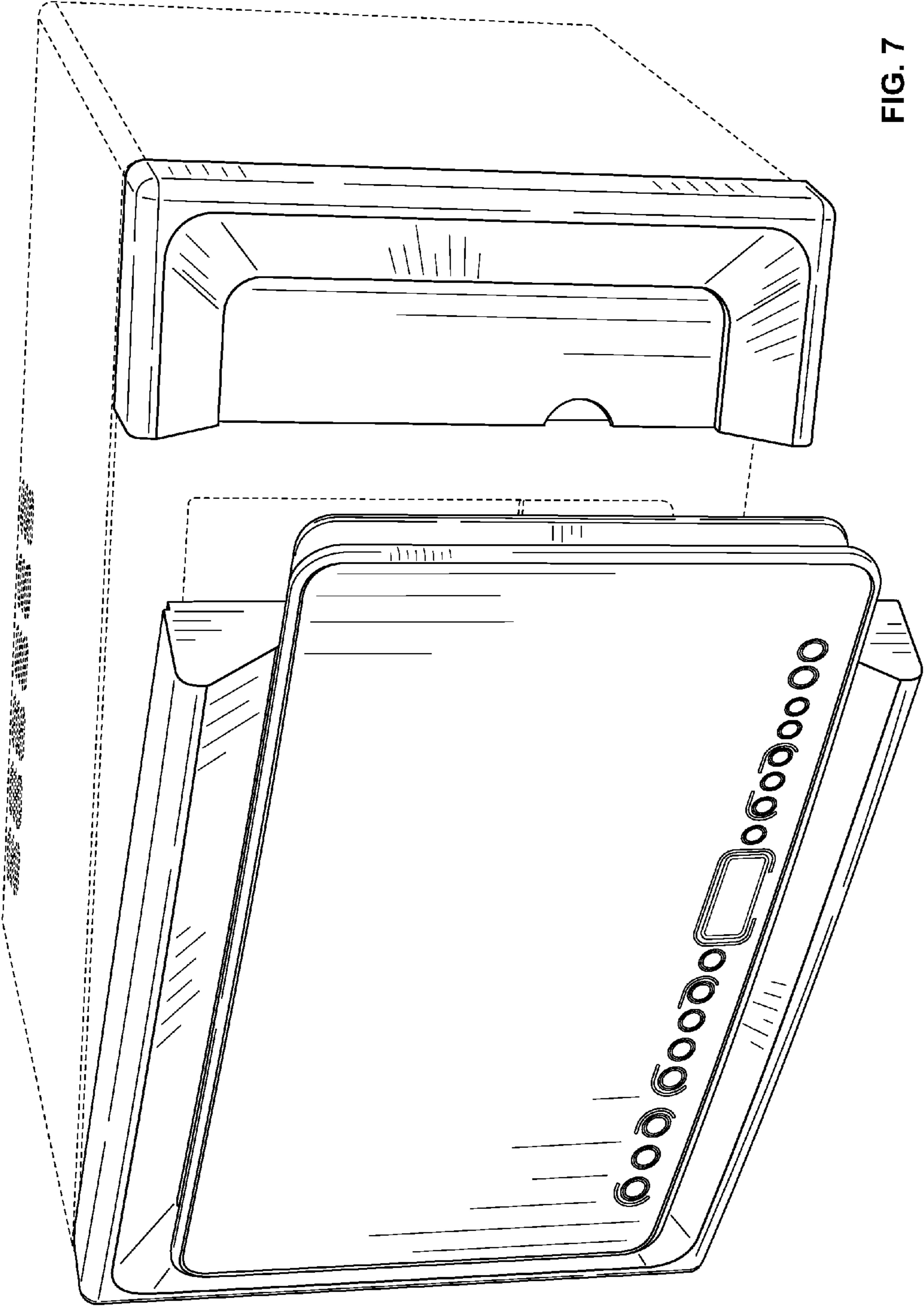


FIG. 7