



US00D634966S

(12) **United States Design Patent**
De' Longhi

(10) **Patent No.:** **US D634,966 S**

(45) **Date of Patent:** **** Mar. 29, 2011**

(54) **ELECTRIC OVEN**

(75) **Inventor:** **Giuseppe De' Longhi, Treviso (IT)**

(73) **Assignee:** **De' Longhi Appliances S.R.L. Con Unico Socio, Treviso (IT)**

(**) **Term:** **14 Years**

(21) **Appl. No.:** **29/375,320**

(22) **Filed:** **Sep. 21, 2010**

(30) **Foreign Application Priority Data**

Mar. 29, 2010 (EP) 1204788-0003

(51) **LOC (9) Cl.** **07-02**

(52) **U.S. Cl.** **D7/350.1**

(58) **Field of Classification Search** D7/350.1,
D7/350.3, 350.4, 351, 402, 405, 406; 219/756,
219/757, 758, 391; 126/19 M, 21 A, 275 E,
126/275 R; 99/352, 391, 385

See application file for complete search history.

(56) **References Cited**

U.S. PATENT DOCUMENTS

D300,711 S * 4/1989 Moritani D7/351
D309,078 S * 7/1990 Kokubo D7/351

D336,814 S * 6/1993 Brookshire D7/350.4
D380,643 S * 7/1997 Piret D7/350.4
D386,938 S * 12/1997 Piret D7/350.4
D412,637 S * 8/1999 Piret D7/350.4
D425,749 S * 5/2000 Homayoun et al. D7/350.4
6,225,603 B1 * 5/2001 Wai 219/391
D461,091 S * 8/2002 Chen D7/350.4
6,960,742 B2 * 11/2005 Wei 219/391
D575,979 S * 9/2008 Borin D7/350.1
D614,906 S * 5/2010 Fiorotto D7/350.1
2009/0107343 A1 * 4/2009 De' Longhi 99/352

* cited by examiner

Primary Examiner — Ruth McInroy

(74) *Attorney, Agent, or Firm* — Mannava & Kang P.C.

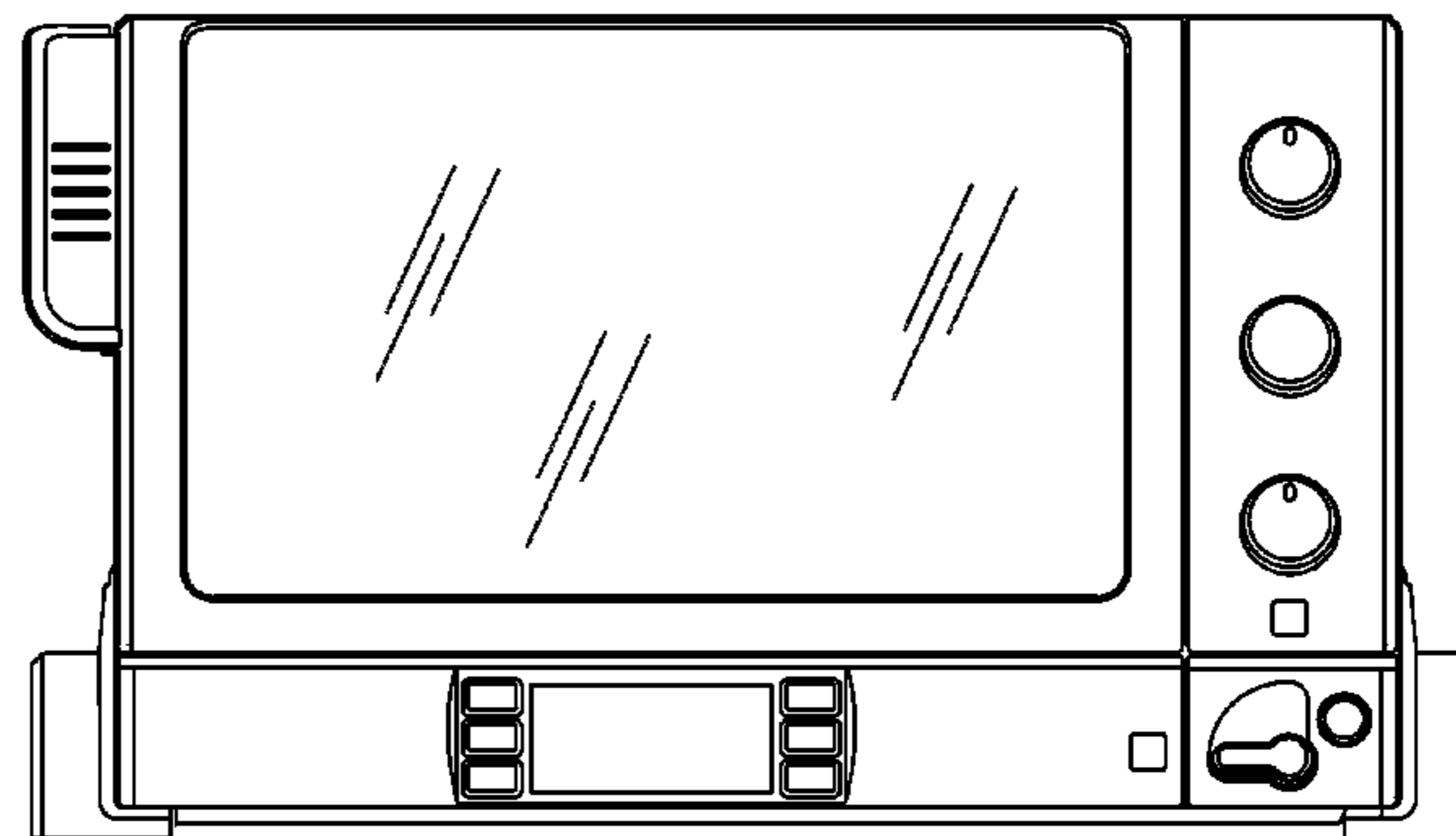
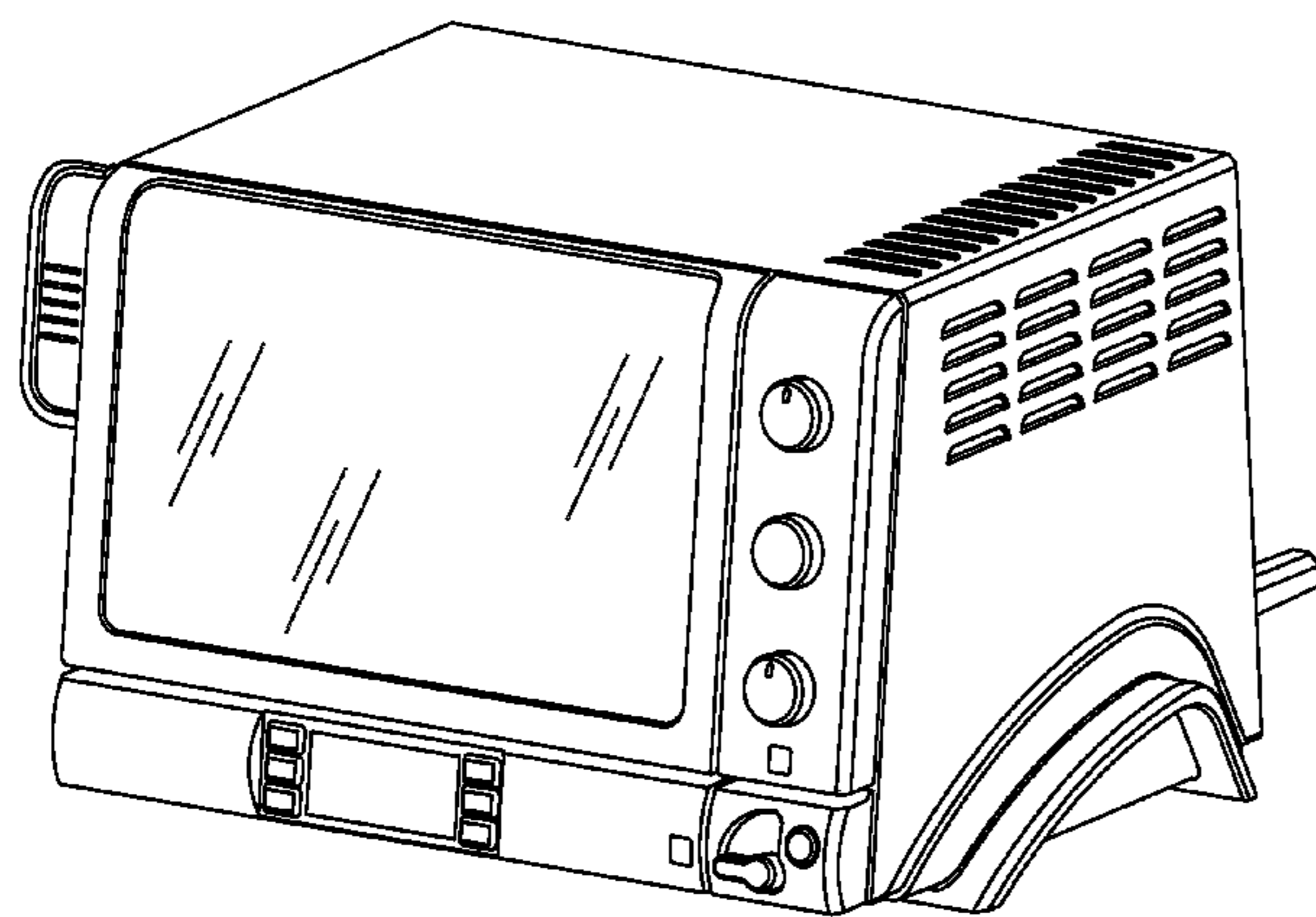
(57) **CLAIM**

The ornamental design for an electric oven, as shown and described.

DESCRIPTION

FIG. 1 is a perspective view of an electric oven showing my new design;
FIG. 2 is a front view thereof;
FIG. 3 is a rear view thereof;
FIG. 4 is a left side view thereof;
FIG. 5 is a right side view thereof;
FIG. 6 is a top view thereof; and,
FIG. 7 is a bottom view thereof.

1 Claim, 7 Drawing Sheets



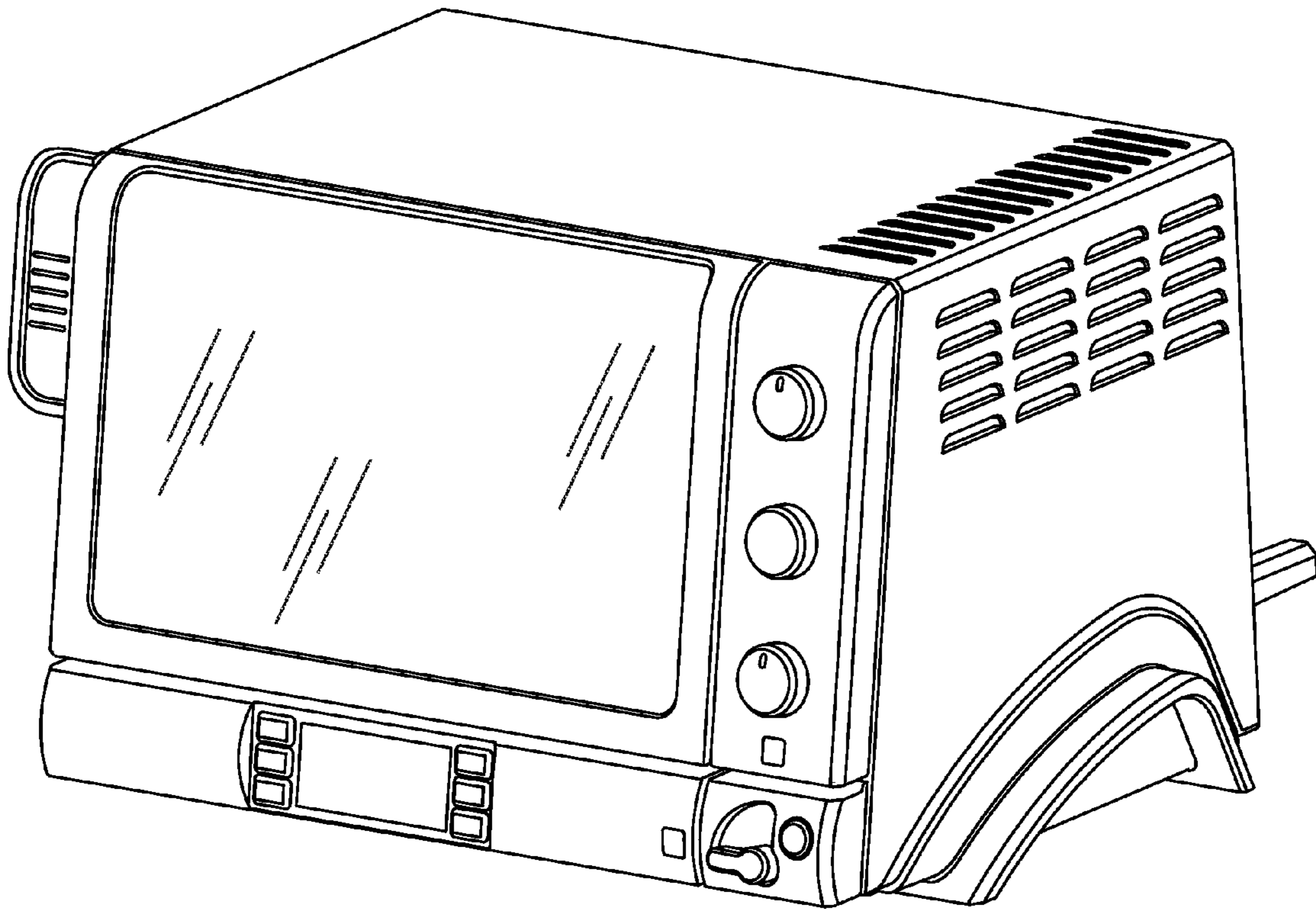


FIG. 1

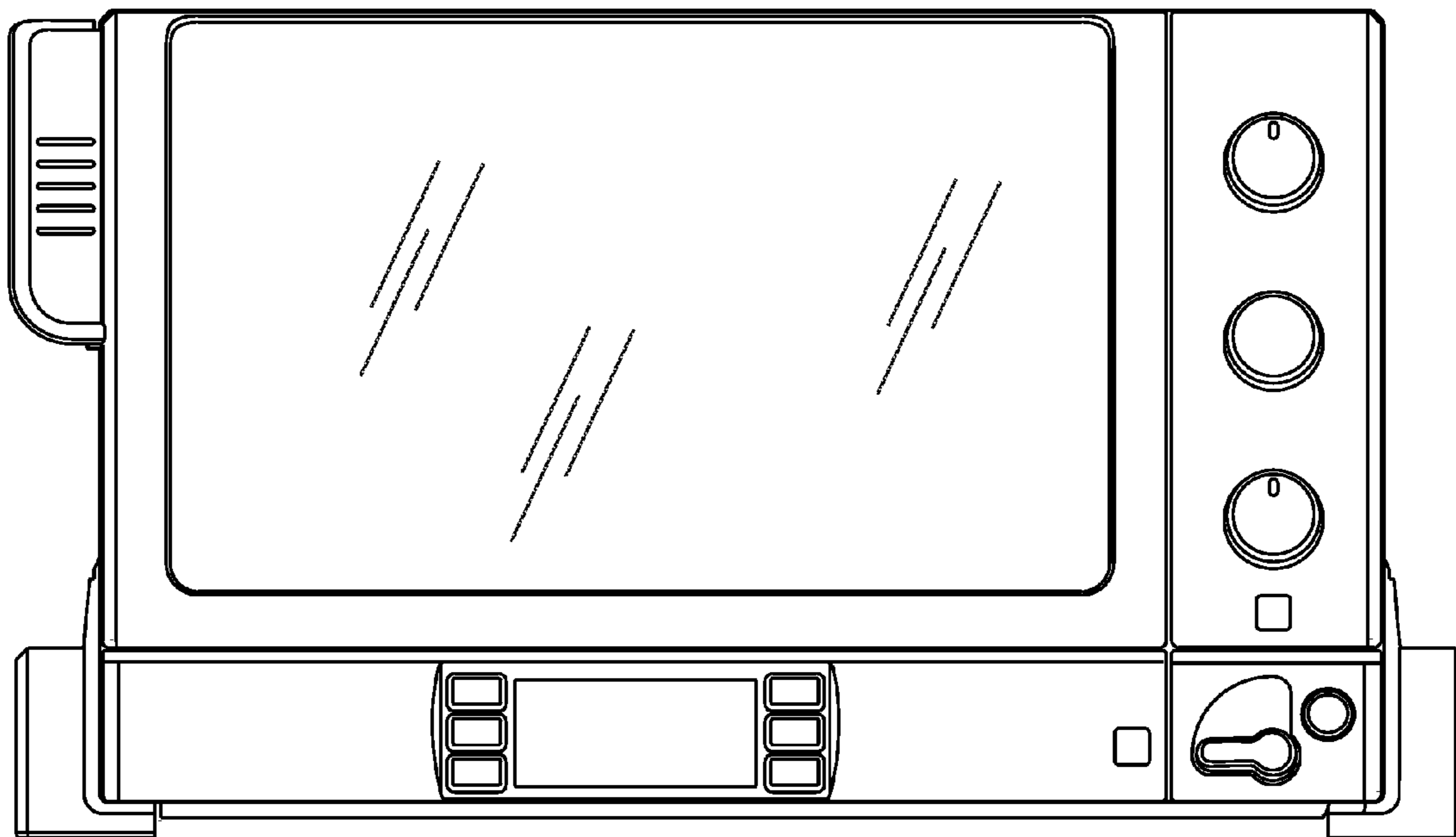


FIG. 2

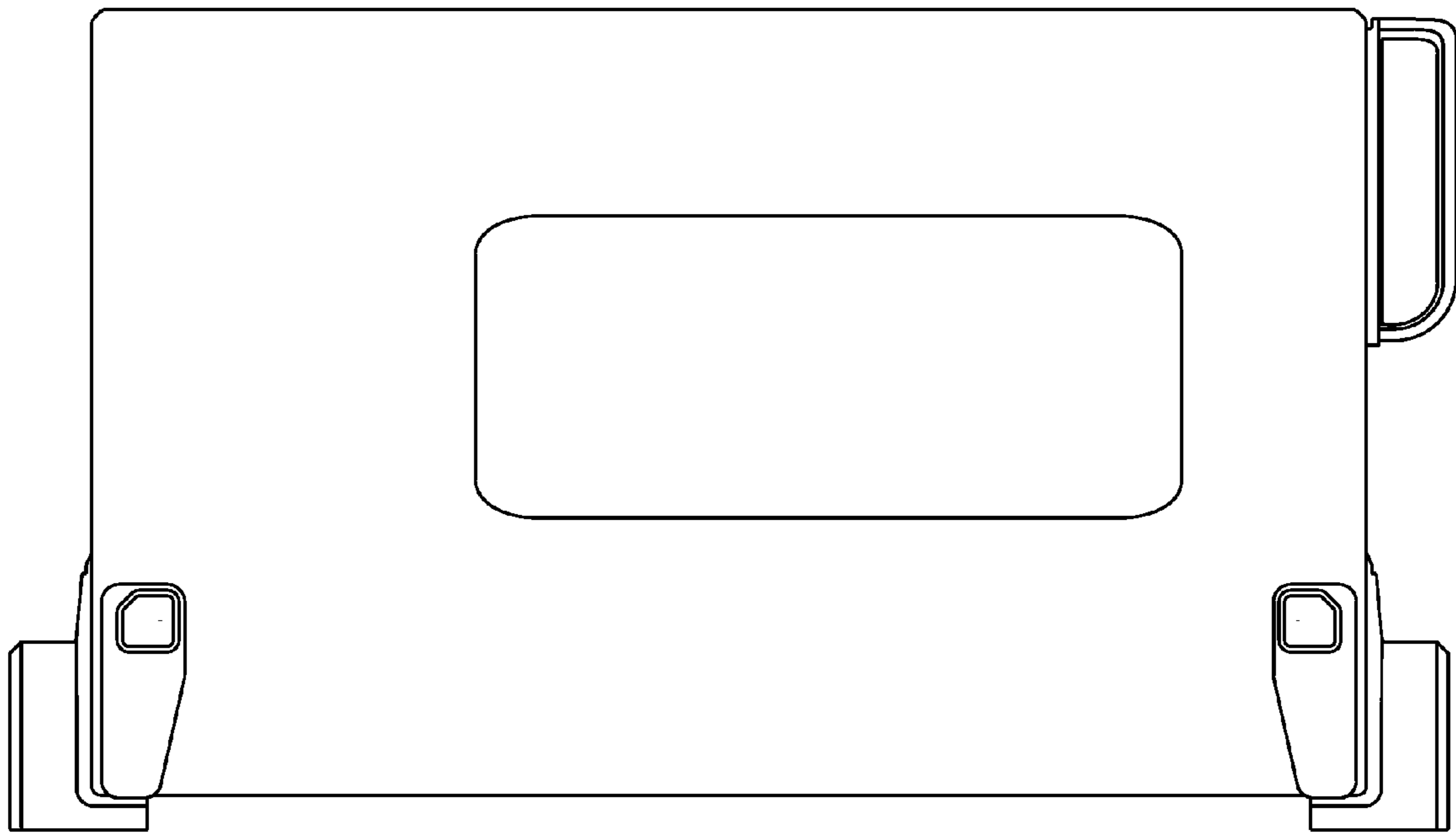


FIG. 3

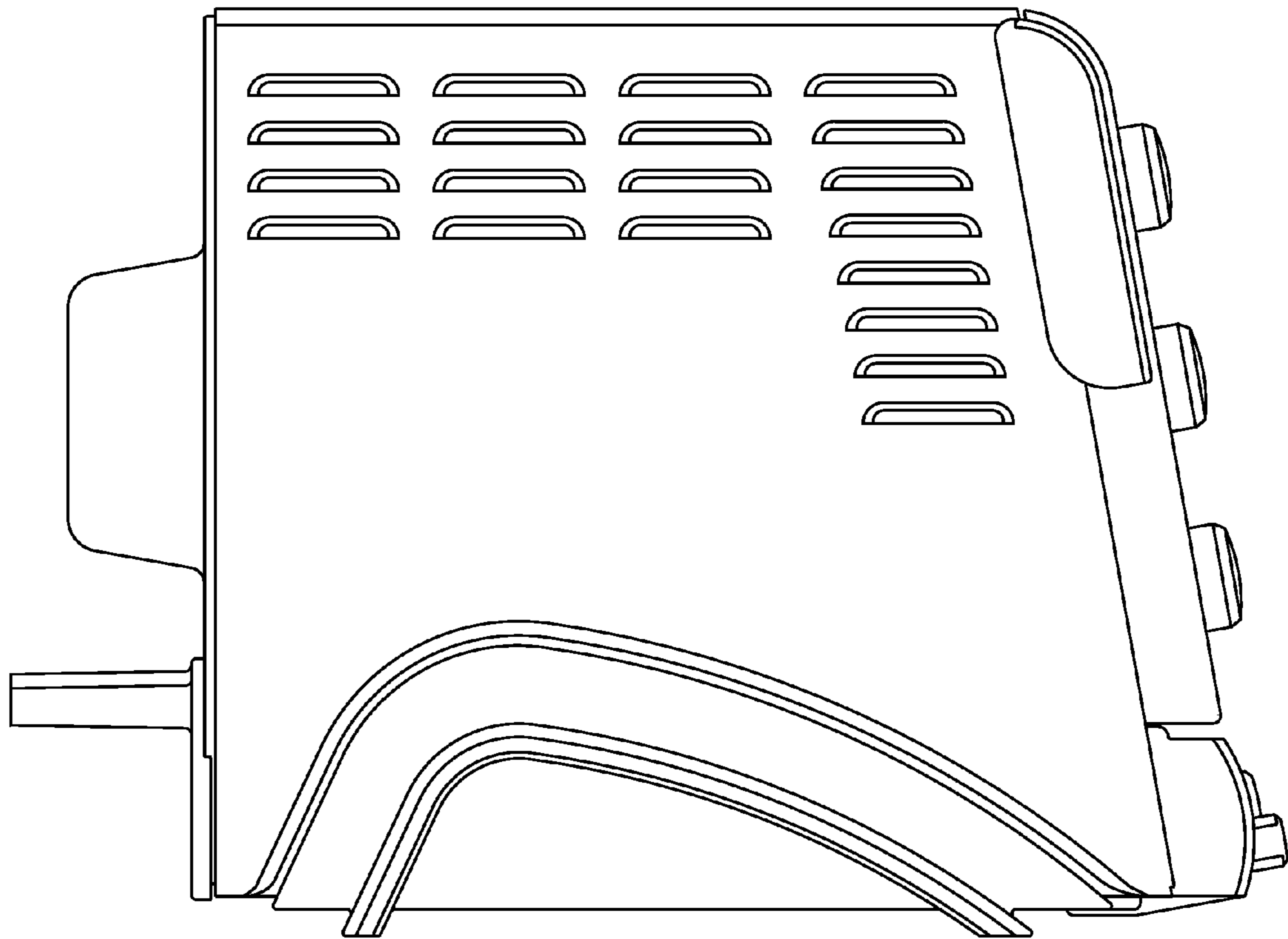


FIG. 4

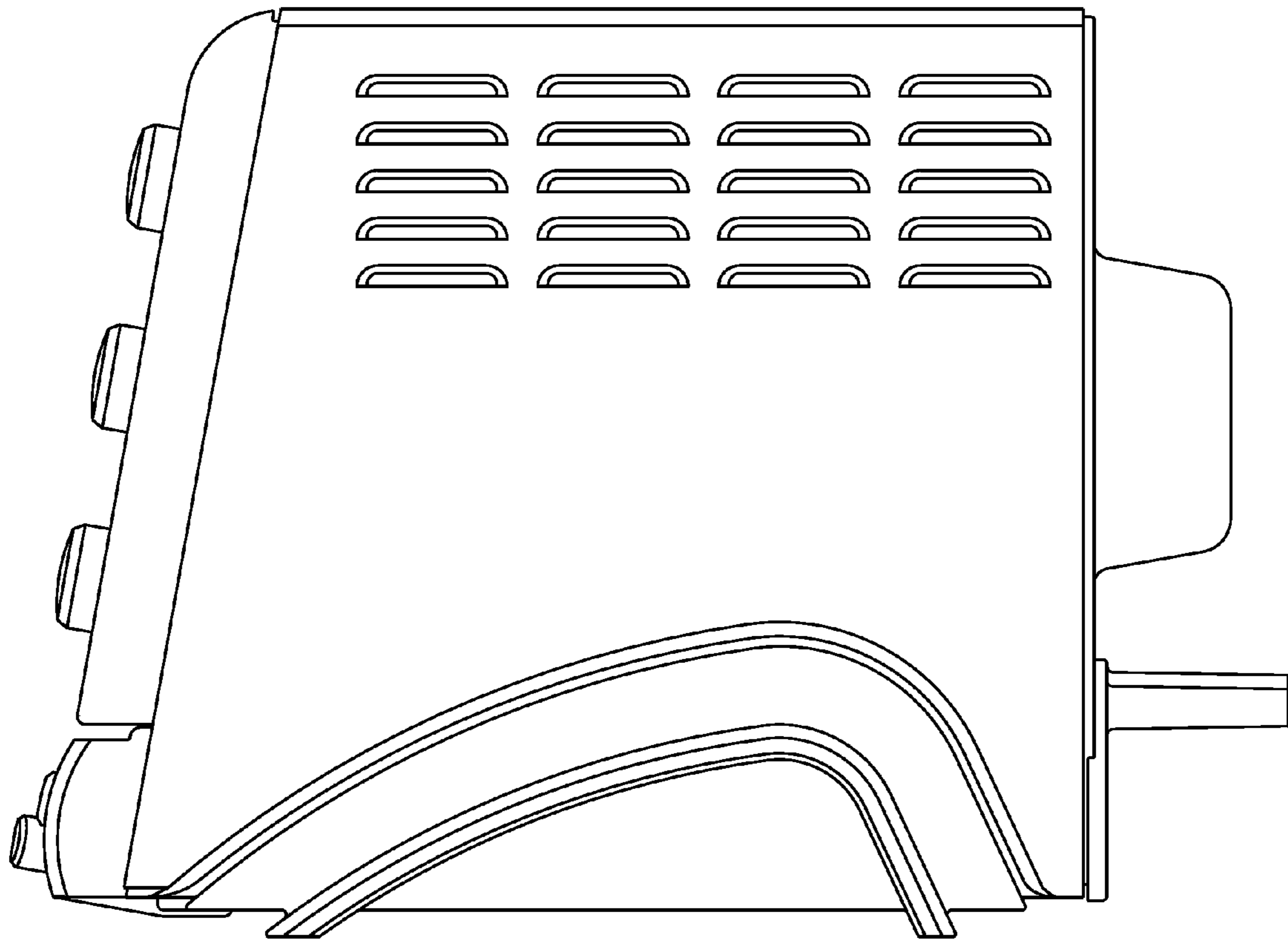


FIG. 5

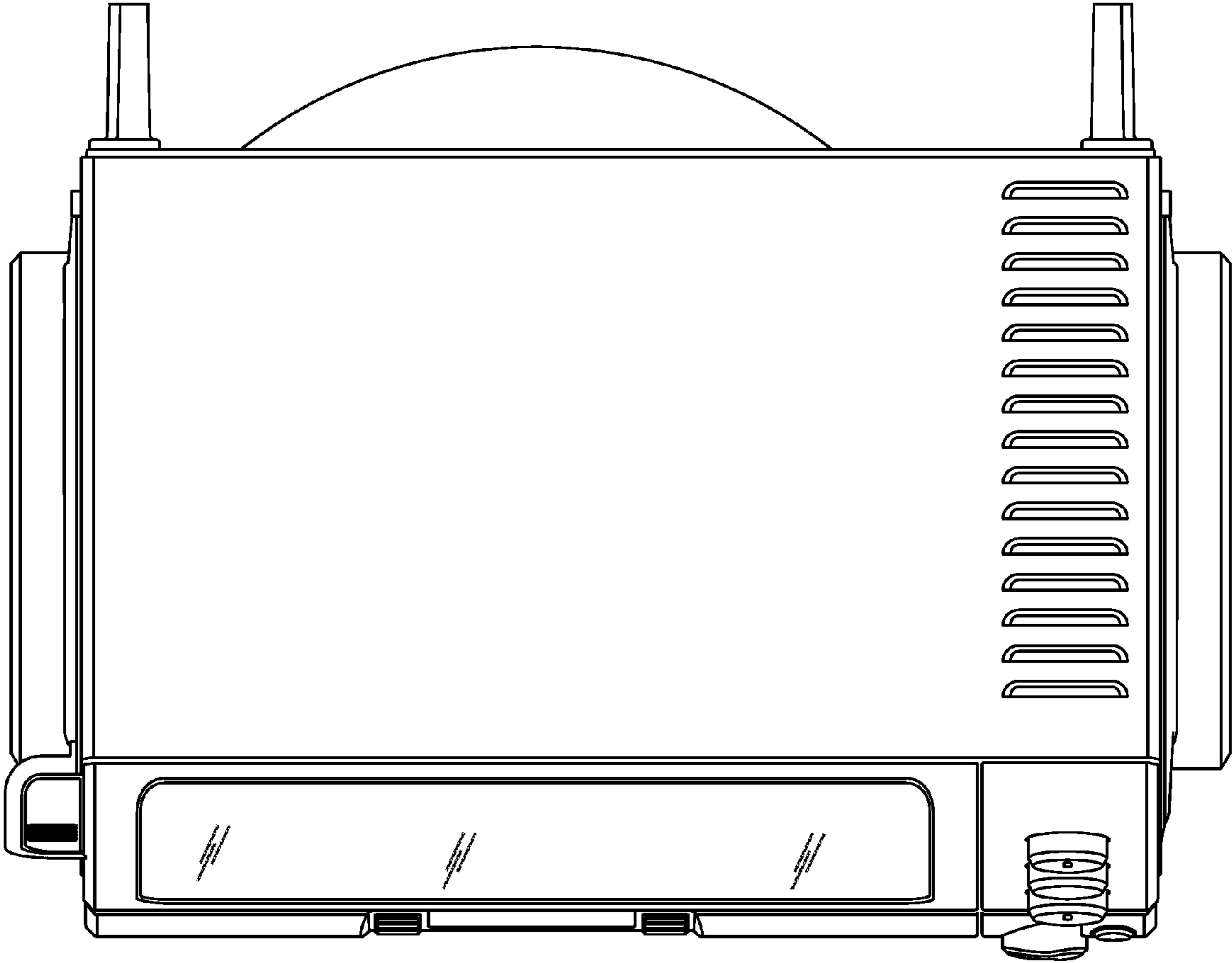


FIG. 6

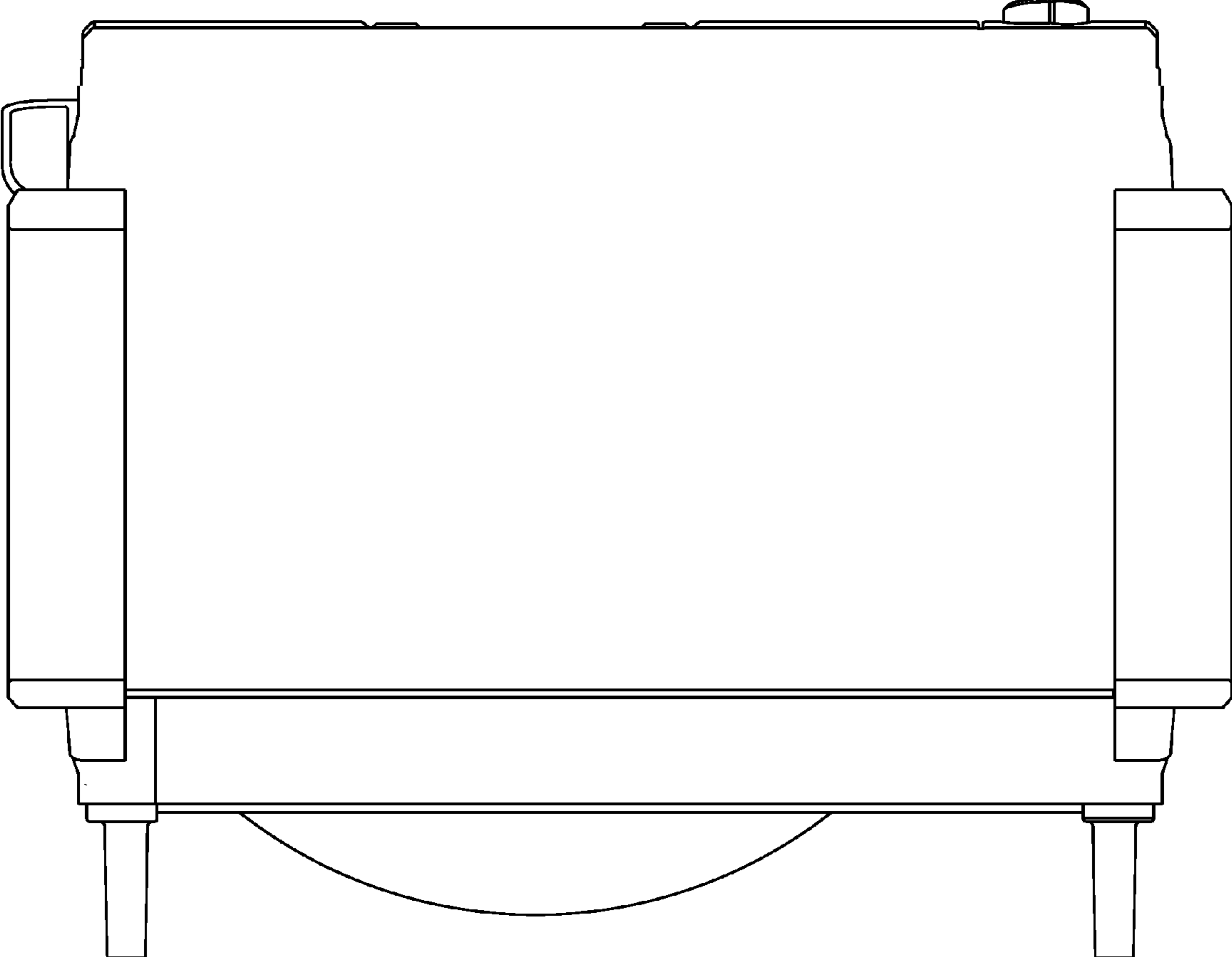


FIG. 7