

US00D634965S

(12) **United States Design Patent**
Martinez

(10) **Patent No.:** **US D634,965 S**

(45) **Date of Patent:** **** Mar. 29, 2011**

(54) **VERTICAL GRILL**

(76) **Inventor:** **Gustavo R. Martinez**, Santa Fe Springs,
CA (US)

(**) **Term:** **14 Years**

(21) **Appl. No.:** **29/377,864**

(22) **Filed:** **Oct. 27, 2010**

(51) **LOC (9) Cl.** **07-02**

(52) **U.S. Cl.** **D7/332**

(58) **Field of Classification Search** D7/332-337,
D7/402-404; 126/25 R, 25 A, 25 B, 41 R,
126/39-30, 9 R, 8, 38, 4, 268, 276, 40, 50,
126/506; 99/481-482, 448

See application file for complete search history.

(56) **References Cited**

U.S. PATENT DOCUMENTS

3,964,463	A	*	6/1976	Dailey	126/41 R
D550,022	S	*	9/2007	Amajuwon et al.	D7/332
D560,966	S	*	2/2008	Pai	D7/403
D574,177	S	*	8/2008	Hulsey	D7/335

D598,698	S	*	8/2009	Lee	D7/332
D625,543	S	*	10/2010	Fitzgerald	D7/332
D629,244	S	*	12/2010	McLemore et al.	D7/332

* cited by examiner

Primary Examiner — Ruth McInroy

(74) *Attorney, Agent, or Firm* — Kenneth L. Green

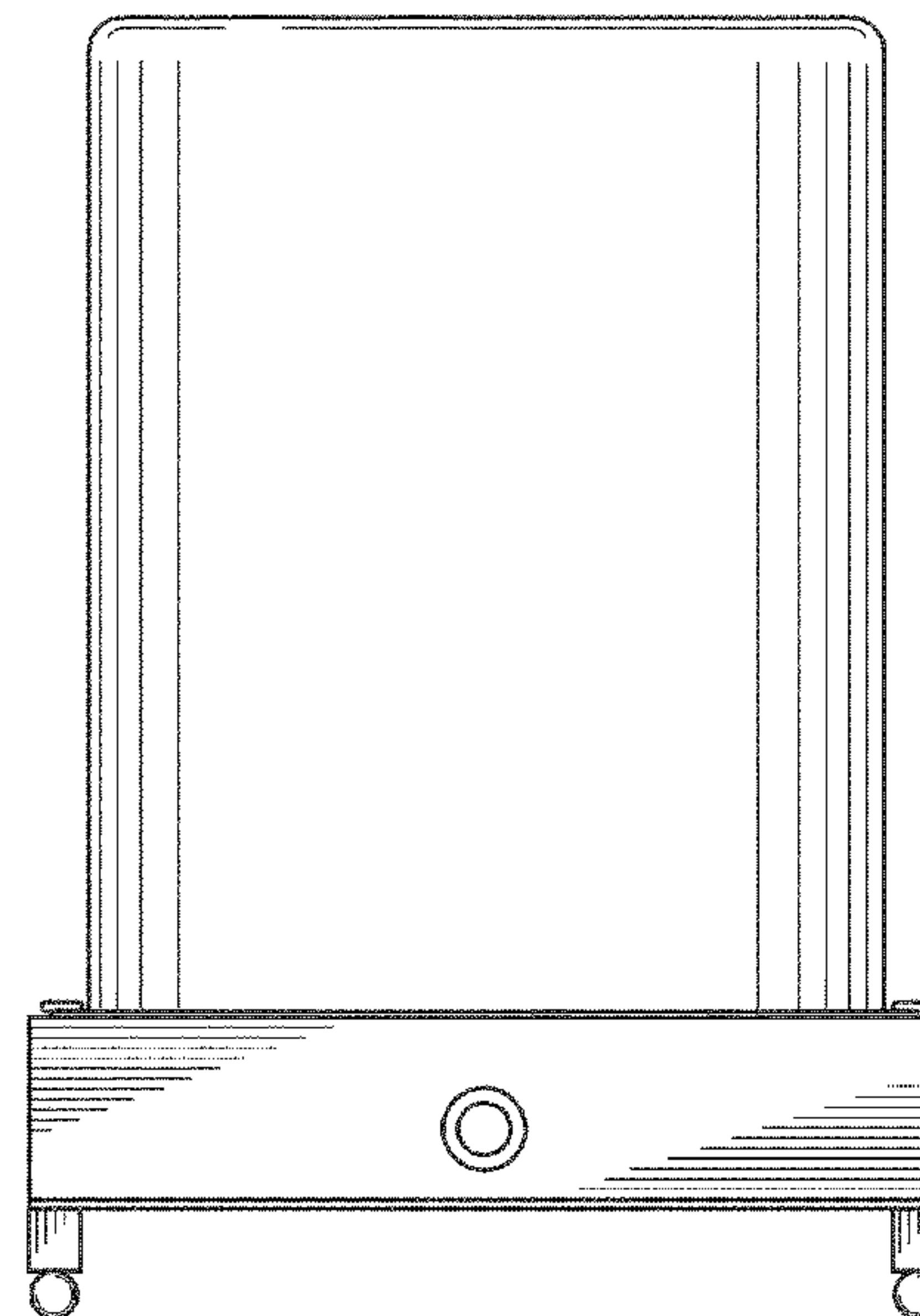
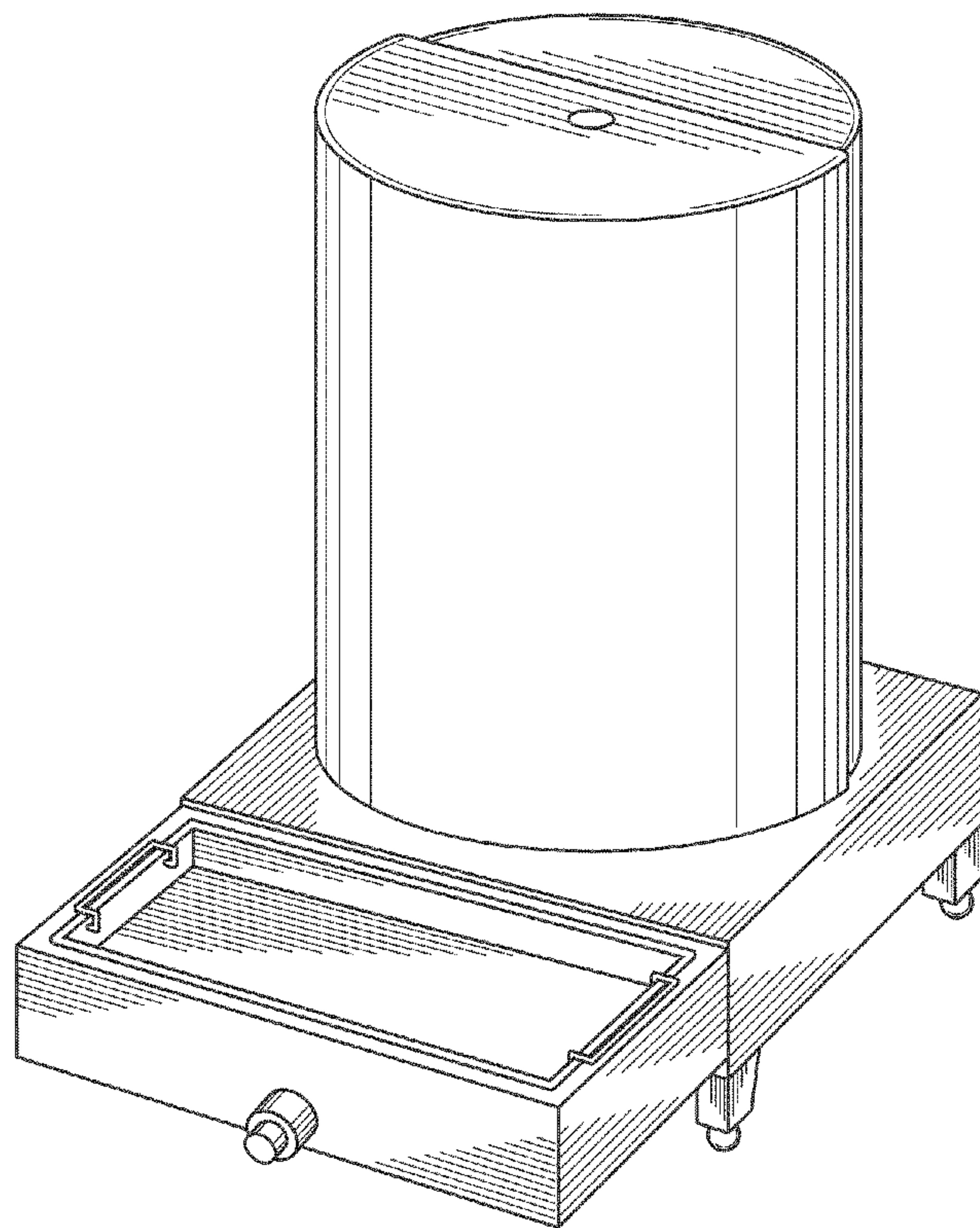
(57) **CLAIM**

The ornamental design for a vertical grill, as shown and described.

DESCRIPTION

FIG. 1 is a top, front and left-side perspective view of a vertical grill showing my new design;
 FIG. 2 is a front elevational view thereof;
 FIG. 3 is a rear elevational view thereof;
 FIG. 4 is a left-side elevational view thereof;
 FIG. 5 is a right-side elevational view thereof;
 FIG. 6 is a top plan view thereof;
 FIG. 7 is a bottom plan view thereof; and,
 FIG. 8 is a perspective view with the front cover removed.

1 Claim, 4 Drawing Sheets



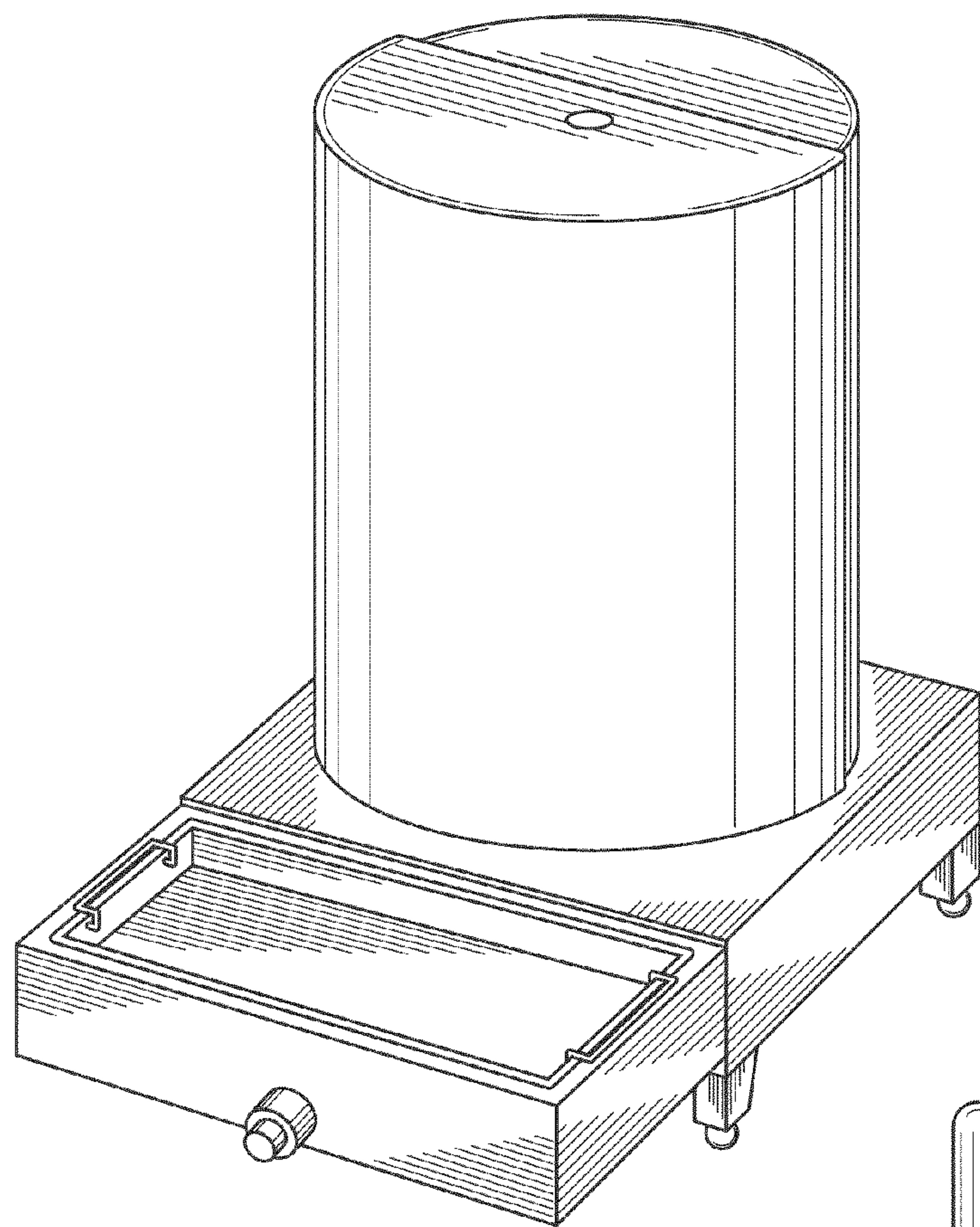


FIG. 1

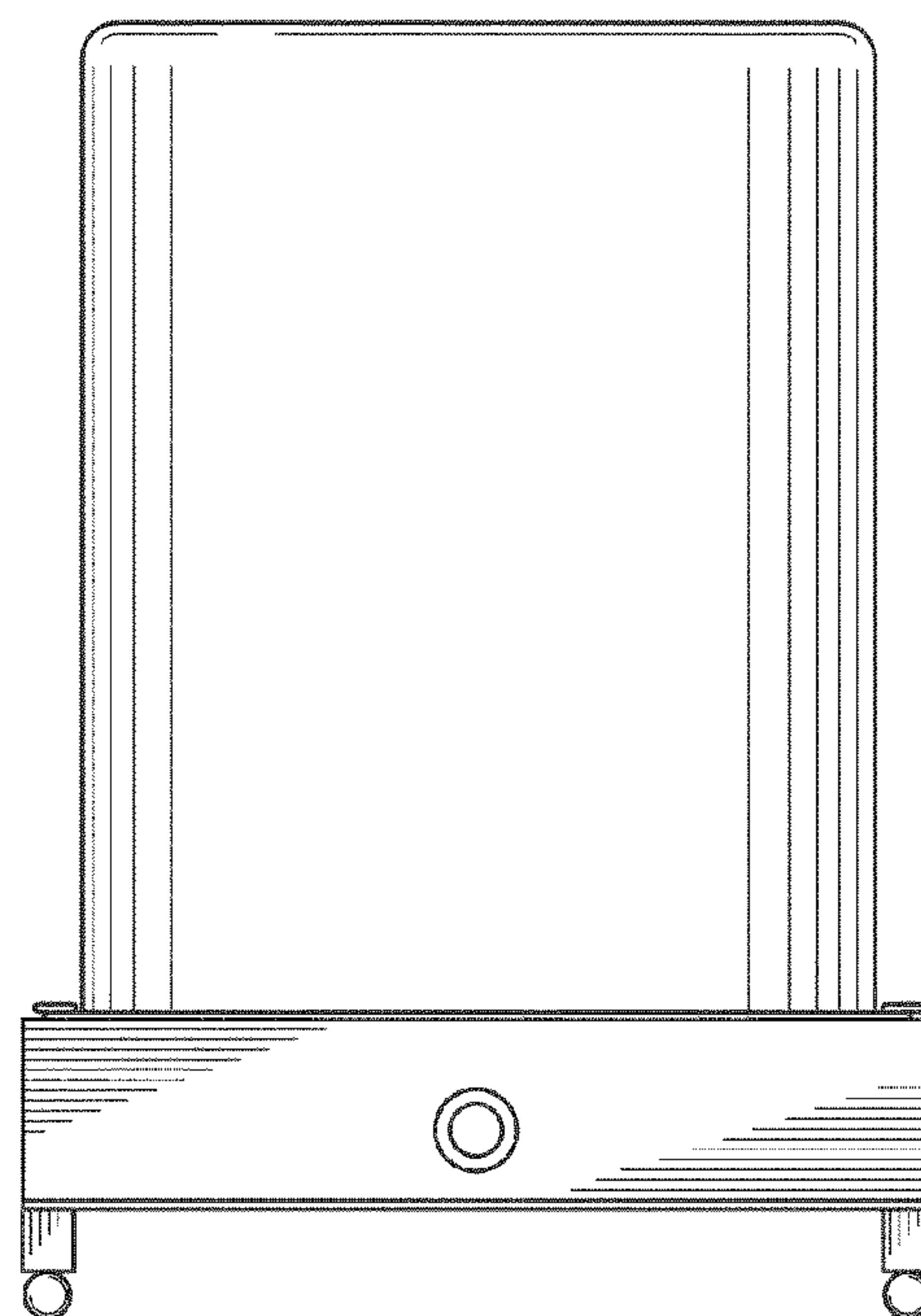


FIG. 2

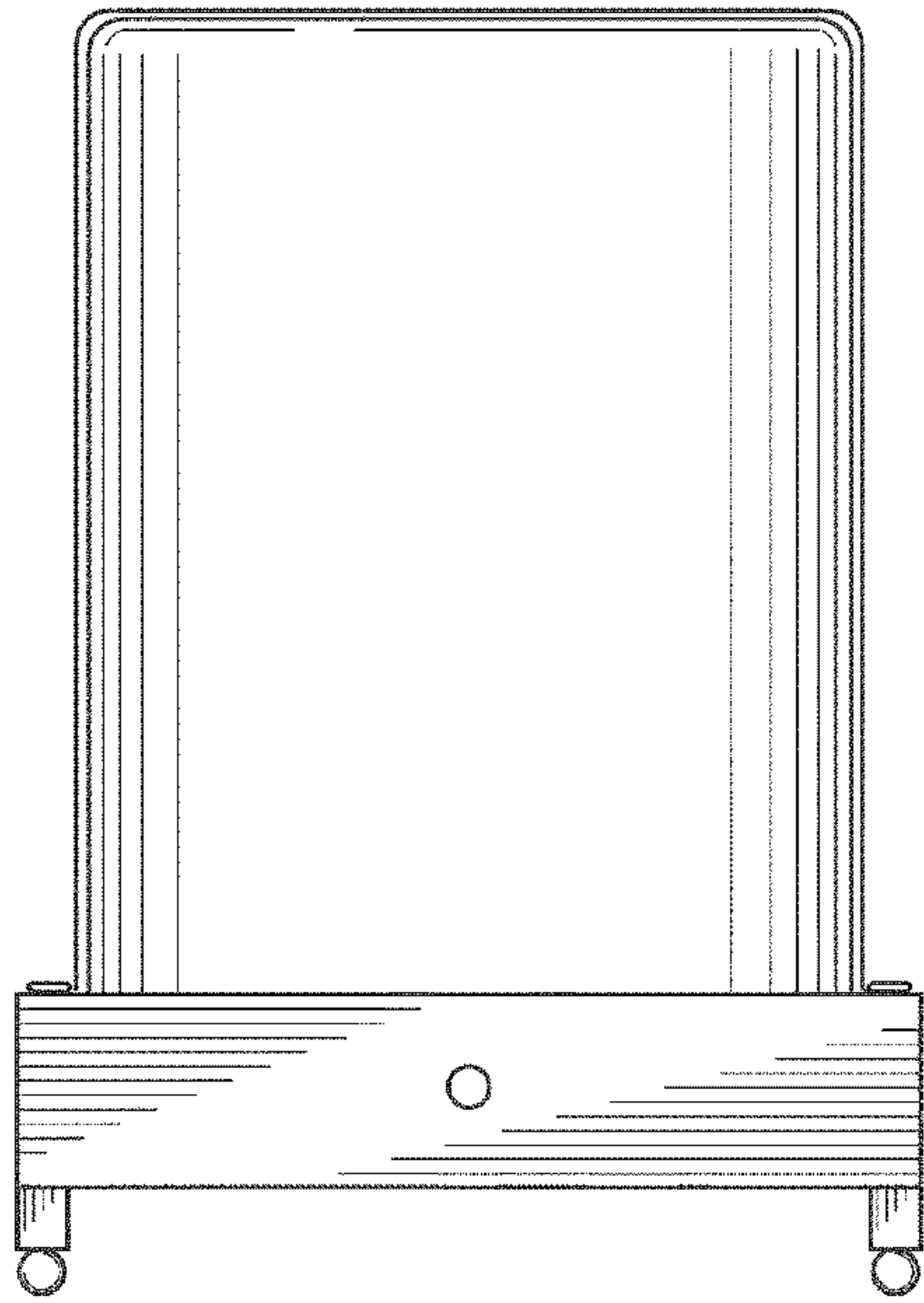


FIG. 3

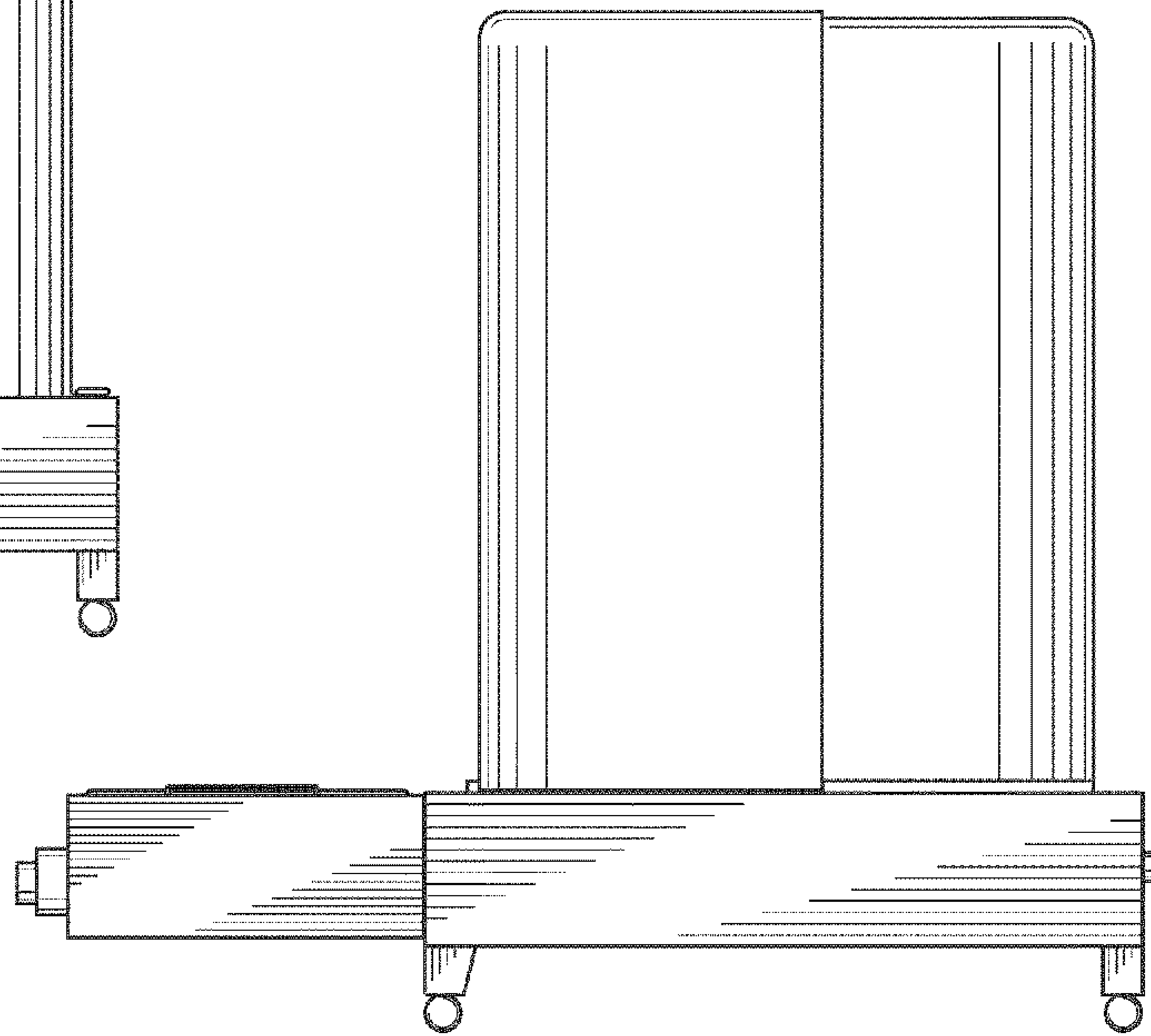


FIG. 4

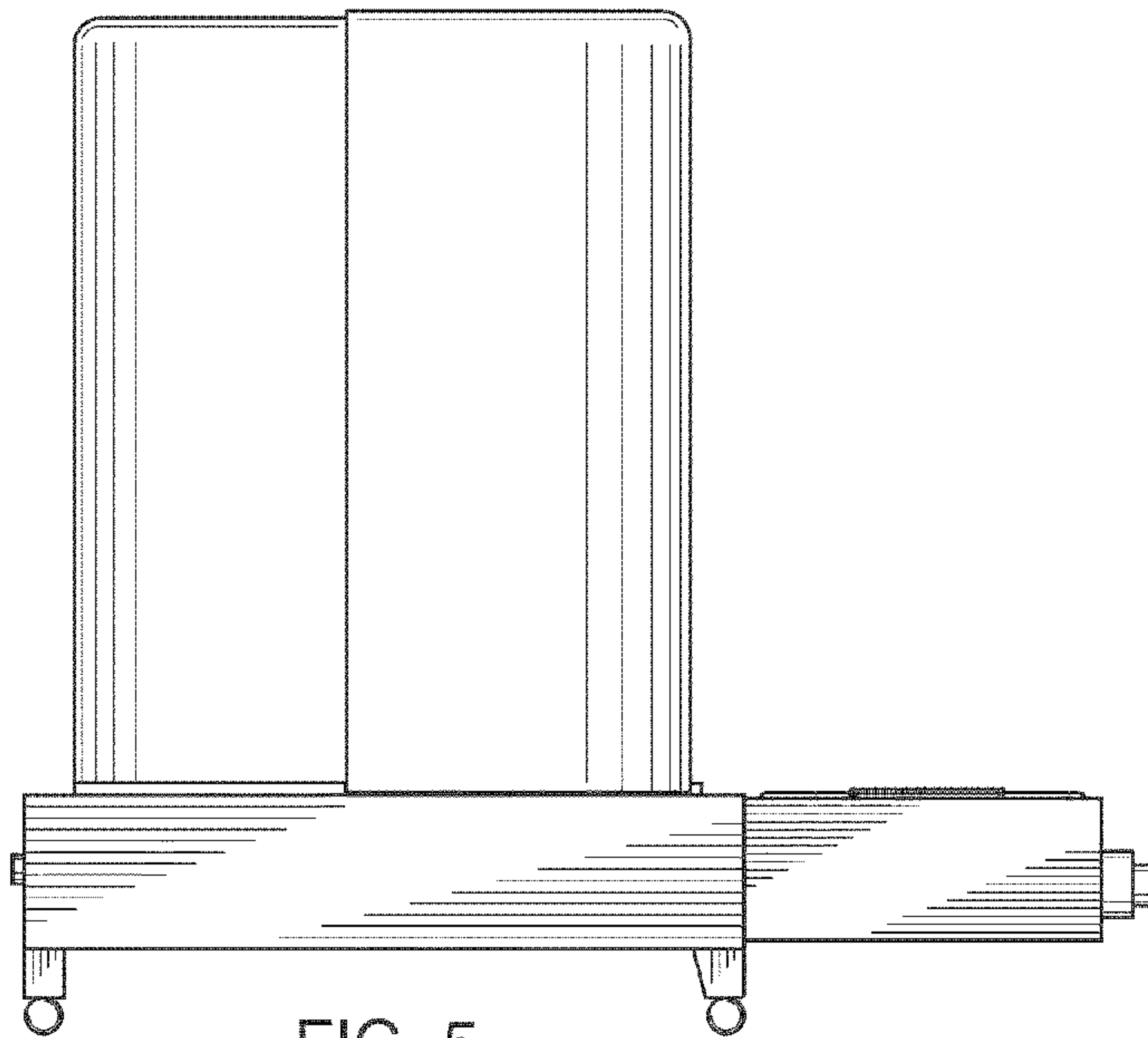


FIG. 5

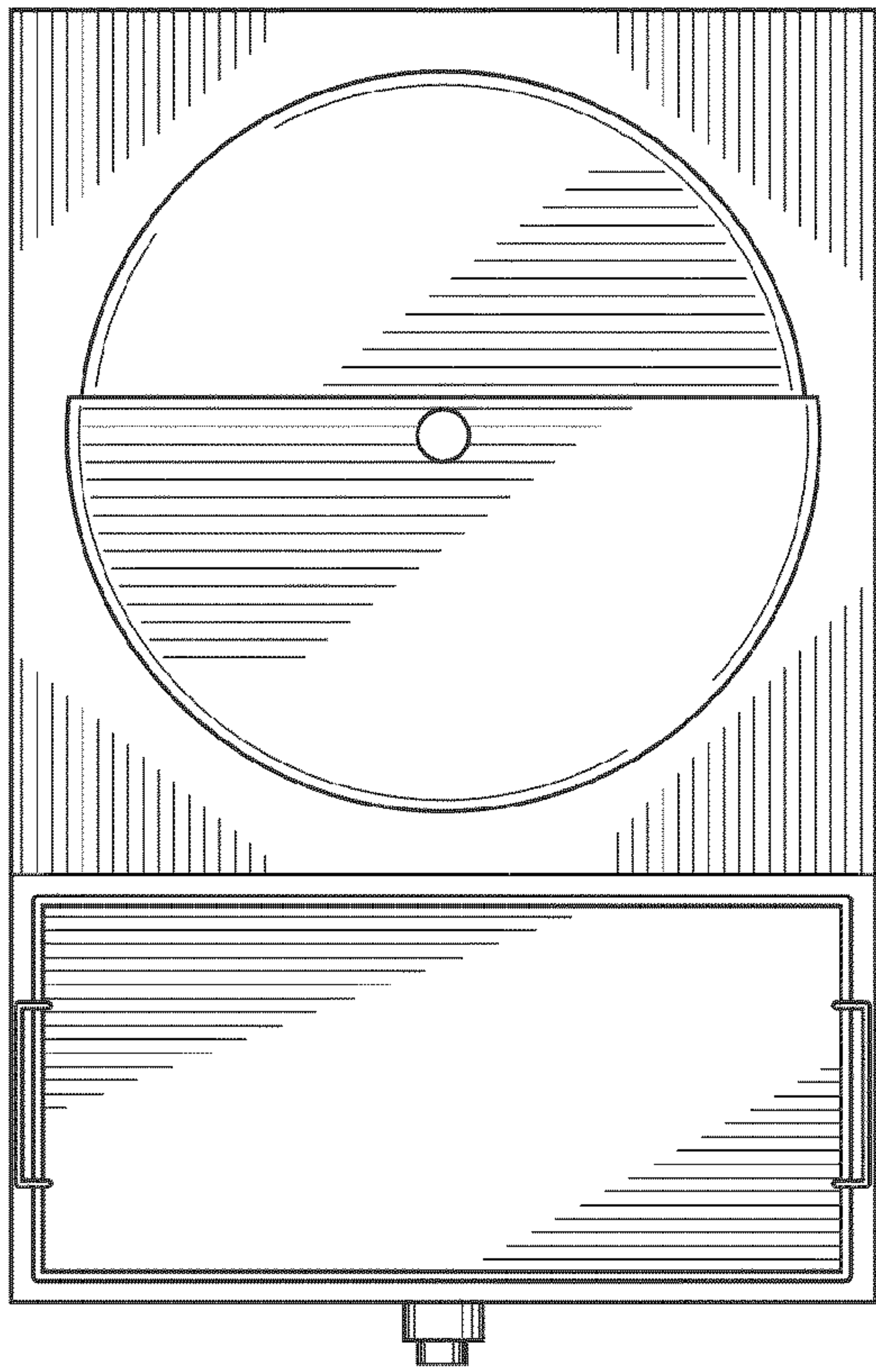


FIG. 6

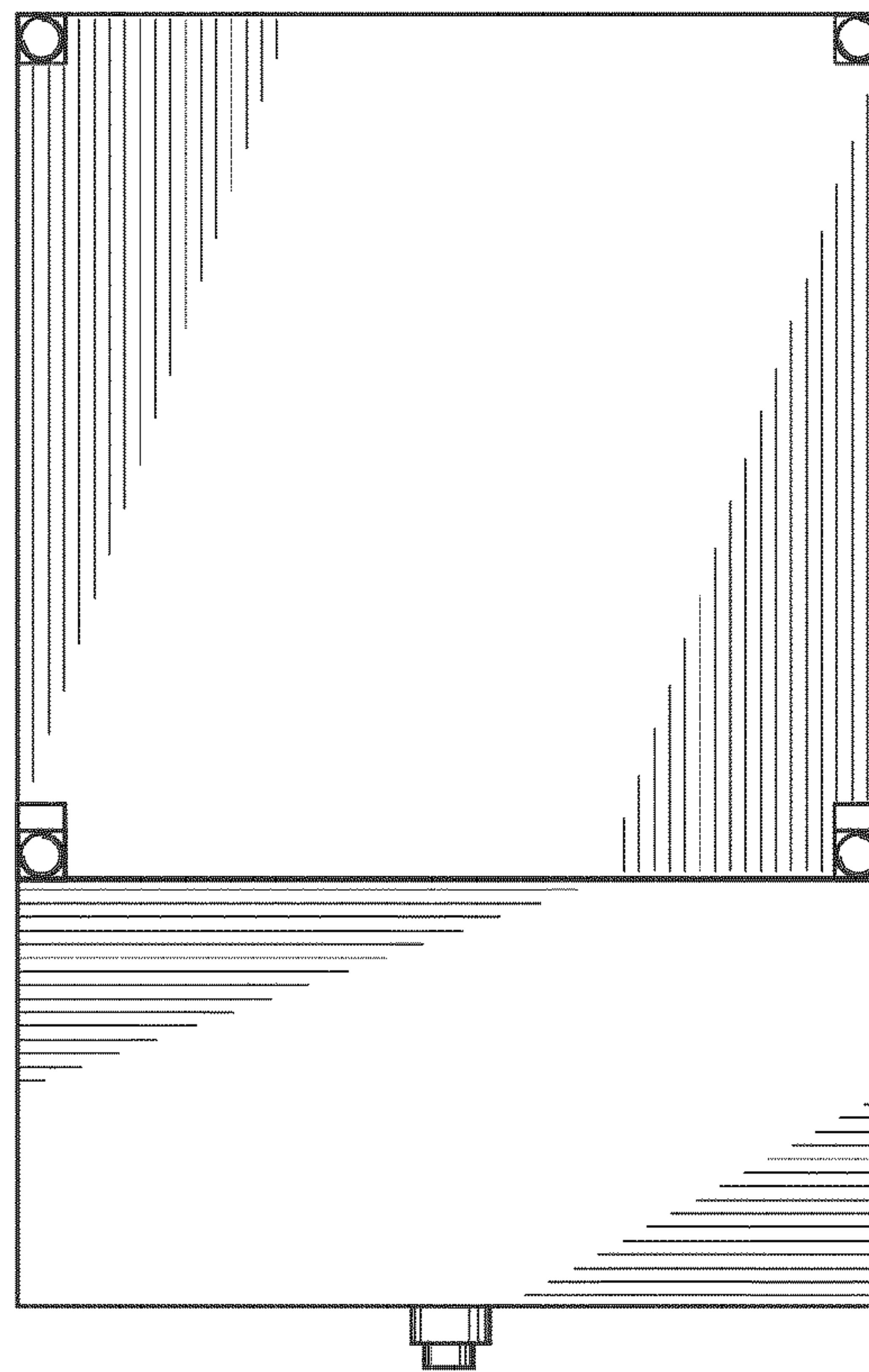


FIG. 7

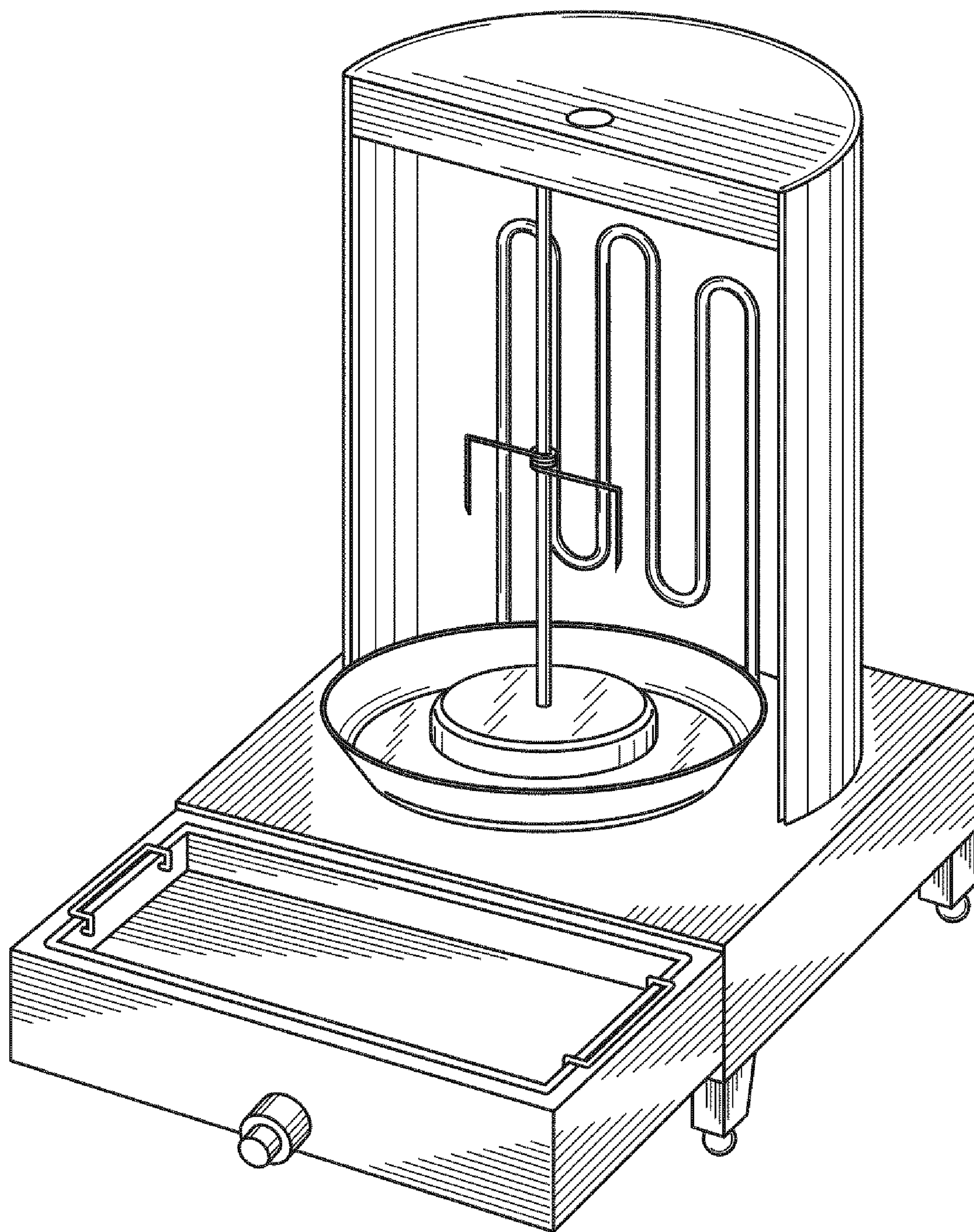


FIG. 8