



US00D634963S

(12) **United States Design Patent**
Romandy

(10) **Patent No.:** **US D634,963 S**

(45) **Date of Patent:** **** Mar. 29, 2011**

(54) **BEVERAGE MAKER**

(75) **Inventor:** **Mark K. Romandy**, Midlothian, VA
(US)

(73) **Assignee:** **Hamilton Beach Brands, Inc.**, Glen
Allen, VA (US)

(**) **Term:** **14 Years**

(21) **Appl. No.:** **29/357,375**

(22) **Filed:** **Mar. 11, 2010**

(51) **LOC (9) Cl.** **07-01**

(52) **U.S. Cl.** **D7/306; D7/311; D7/309**

(58) **Field of Classification Search** **D7/306-311,**
D7/300; 99/307, 305, 309

See application file for complete search history.

D594,688 S * 6/2009 Hammad et al. D7/309
D604,985 S * 12/2009 Taylor et al. D7/309
D607,258 S * 1/2010 De Pra' D7/309
D607,259 S * 1/2010 De Pra' D7/309
D626,368 S * 11/2010 De Pra' D7/309
D630,880 S * 1/2011 Zimmermann D7/309

OTHER PUBLICATIONS

Donlim literature; 09-10 Collections Coffee Makers; 2 pages.

* cited by examiner

Primary Examiner — Marianne Pandozzi

(74) *Attorney, Agent, or Firm* — Alexander D. Raring

(57) **CLAIM**

The ornamental design for a beverage maker, as shown and described.

(56) **References Cited**

U.S. PATENT DOCUMENTS

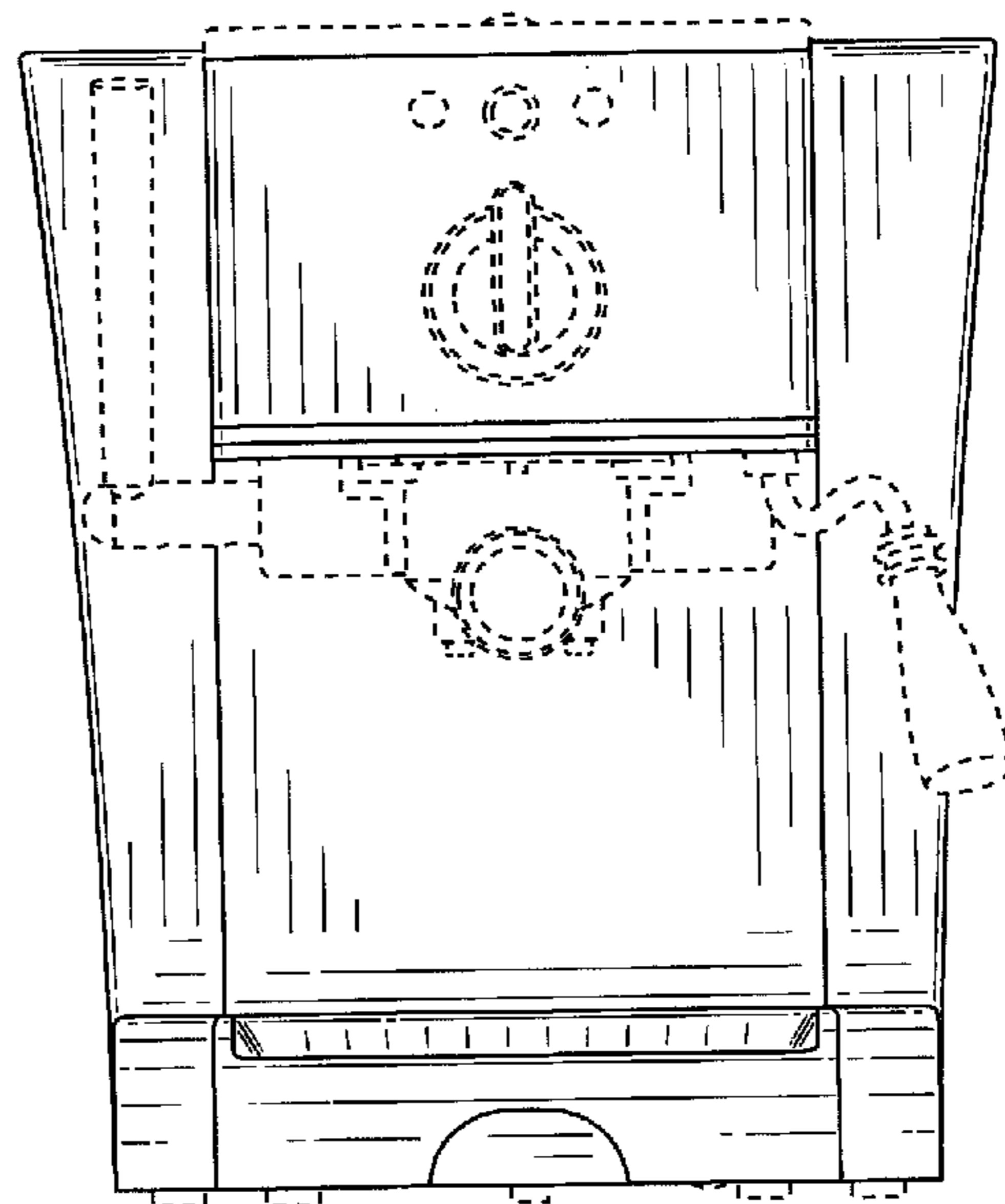
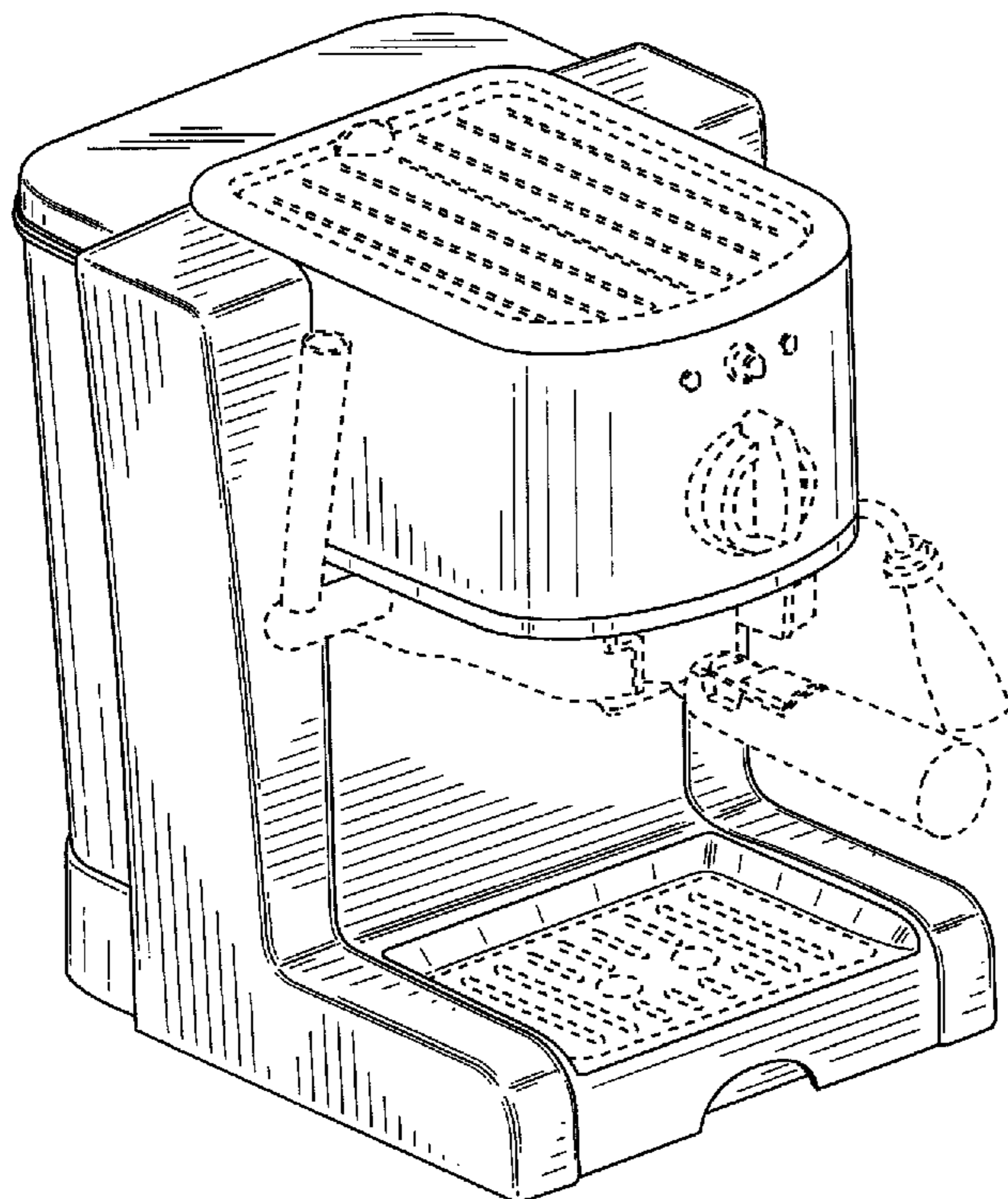
D342,860 S 1/1994 Azpiri
D366,982 S 2/1996 Amiel
D390,742 S 2/1998 Sander
D429,594 S 8/2000 Lin
D431,749 S 10/2000 Cahen
D431,750 S 10/2000 Cahen
D449,198 S 10/2001 Cahen
D449,199 S 10/2001 Cahen
D449,488 S 10/2001 Cahen
D477,963 S 8/2003 Cahen
D502,053 S 2/2005 Bodum
D522,793 S 6/2006 Weaden
D561,523 S 2/2008 Trazzi

DESCRIPTION

FIG. 1 is a perspective view as seen from the top, front and left side of a beverage maker showing the new design;
FIG. 2 is a right side view thereof;
FIG. 3 is a left side view thereof;
FIG. 4 is a bottom view thereof;
FIG. 5 is a top view thereof;
FIG. 6 is a rear view thereof; and,
FIG. 7 is a front view thereof.

The broken lines in the drawings are included for the purpose of illustration and form no part of the claimed design.

1 Claim, 7 Drawing Sheets



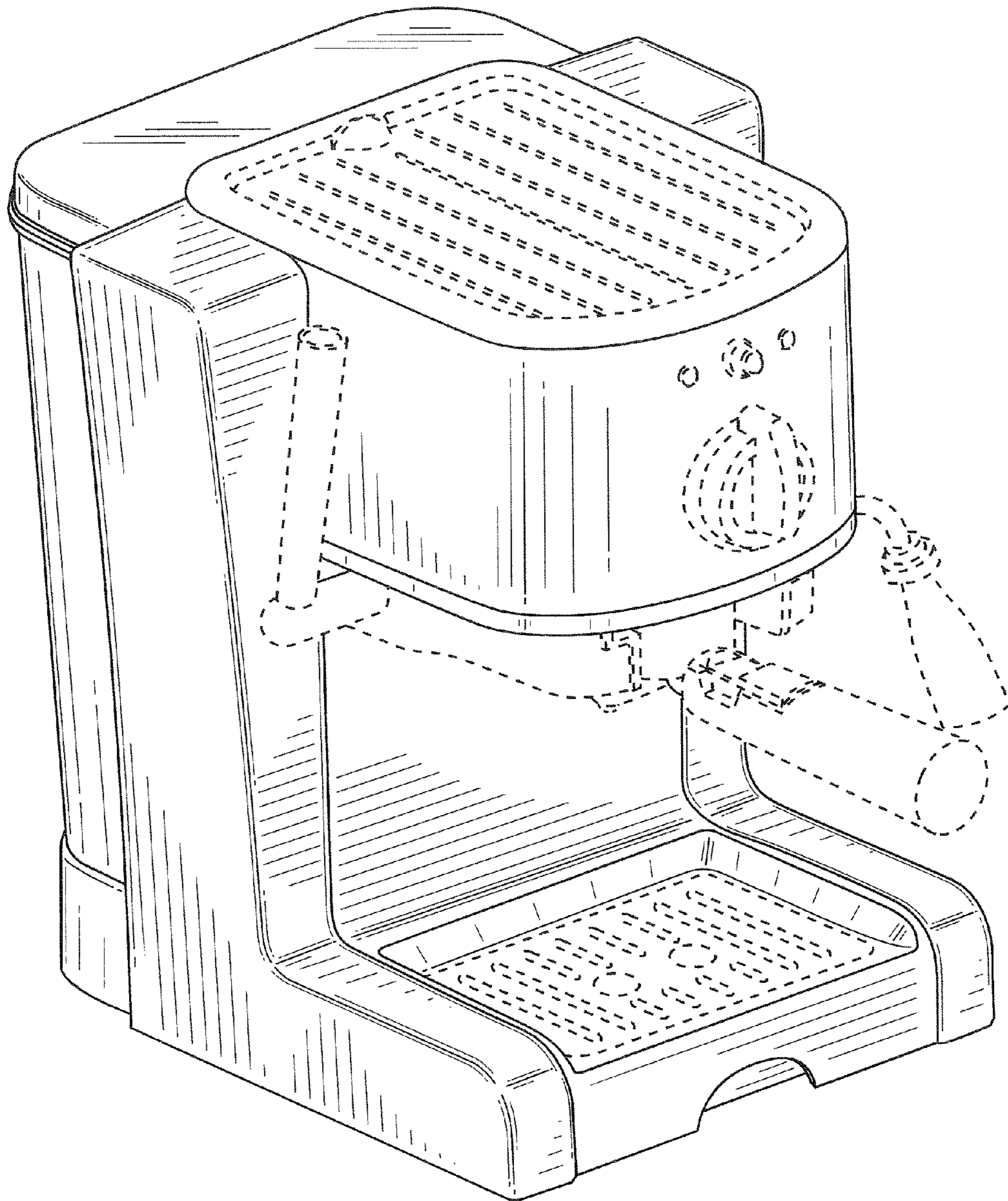


FIG. 1

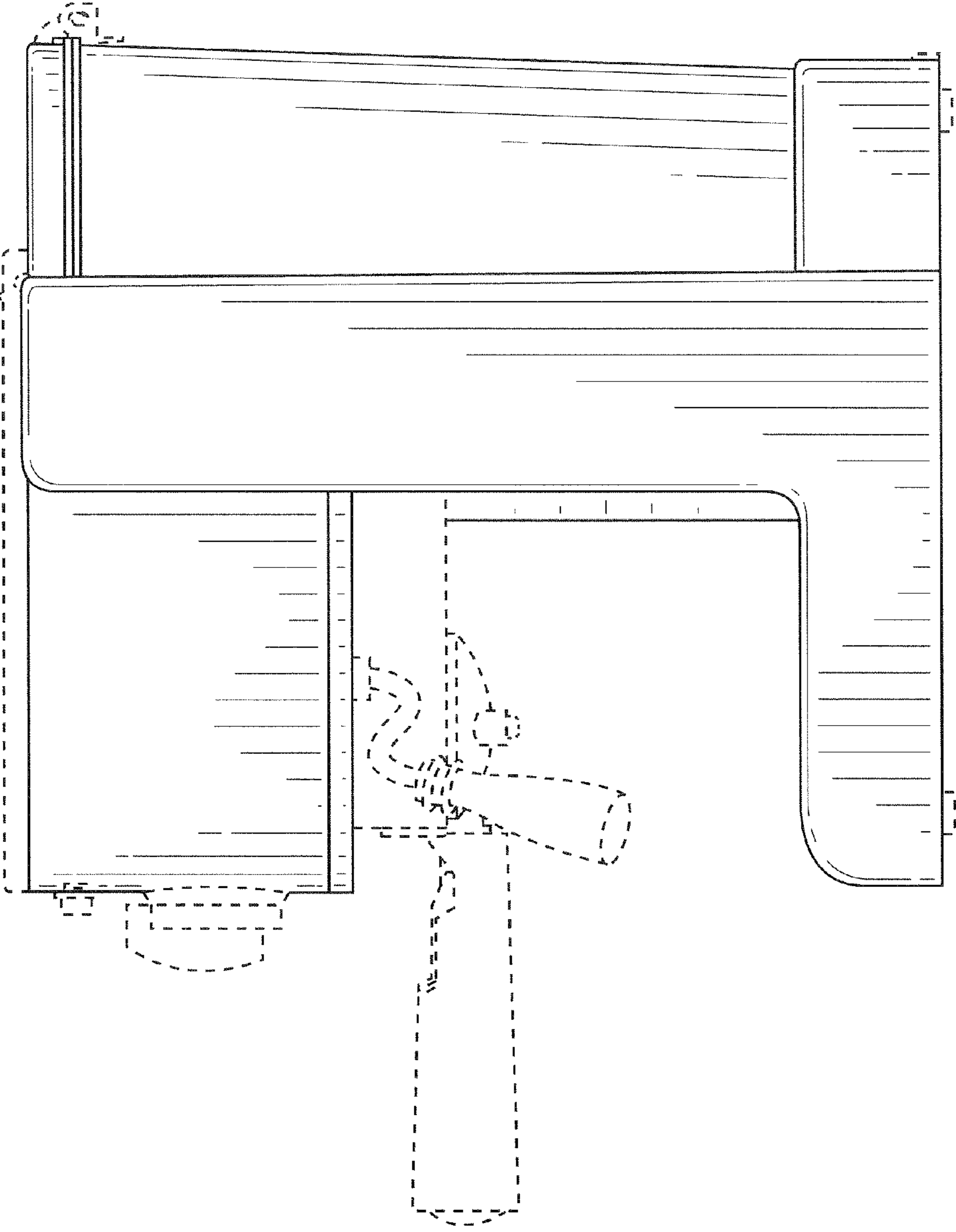


FIG. 2

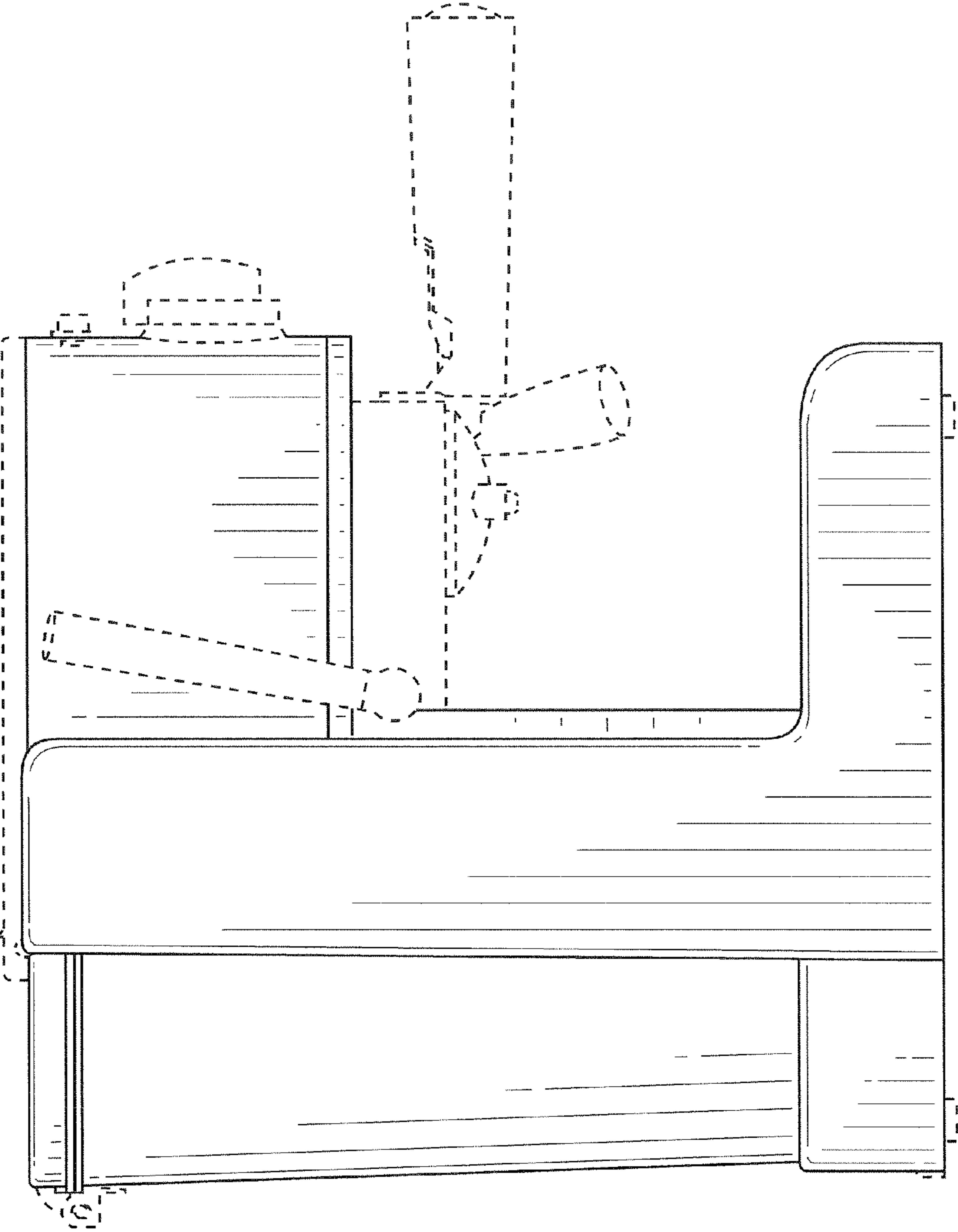


FIG. 3

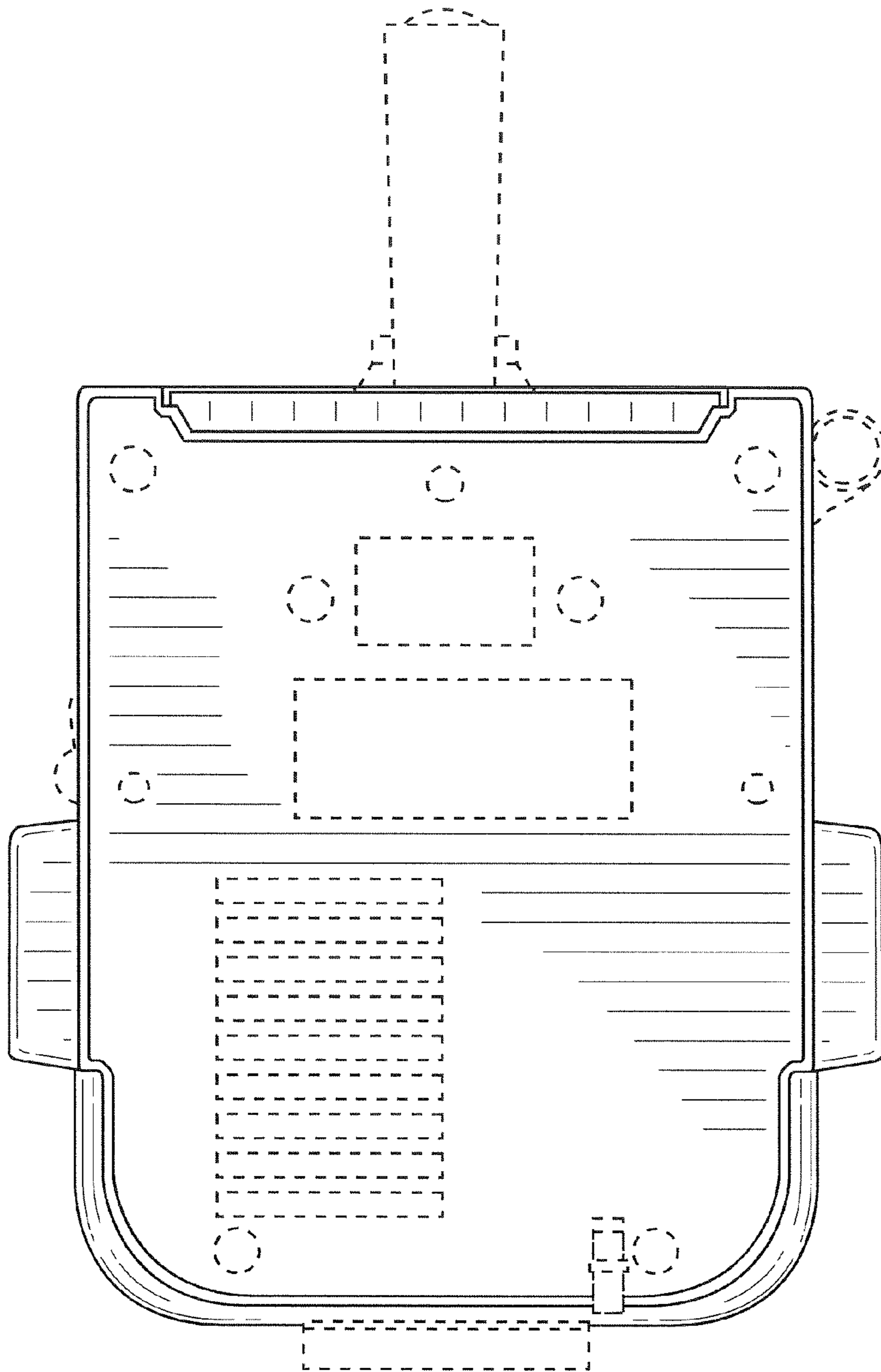


FIG. 4

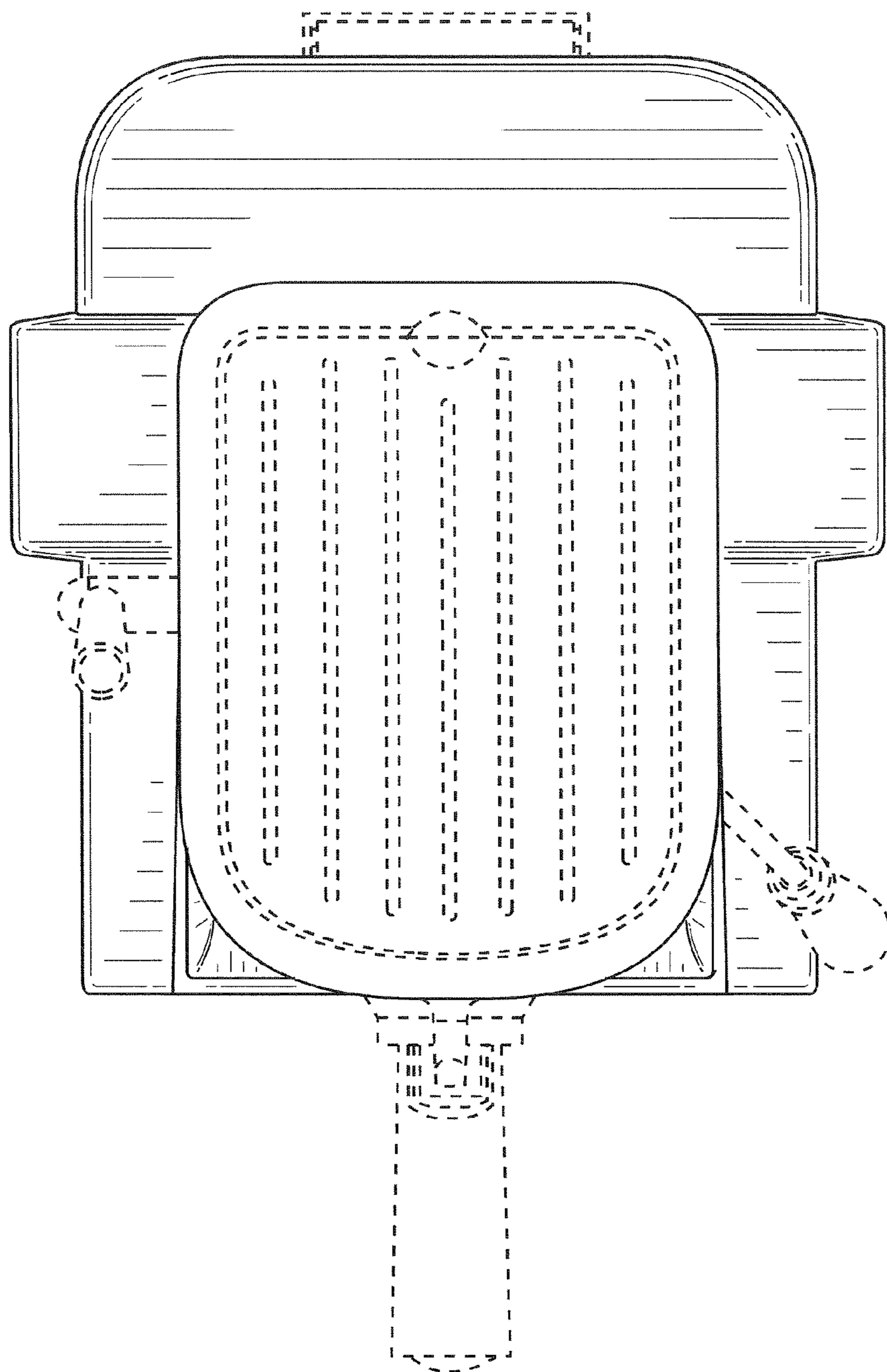


FIG. 5

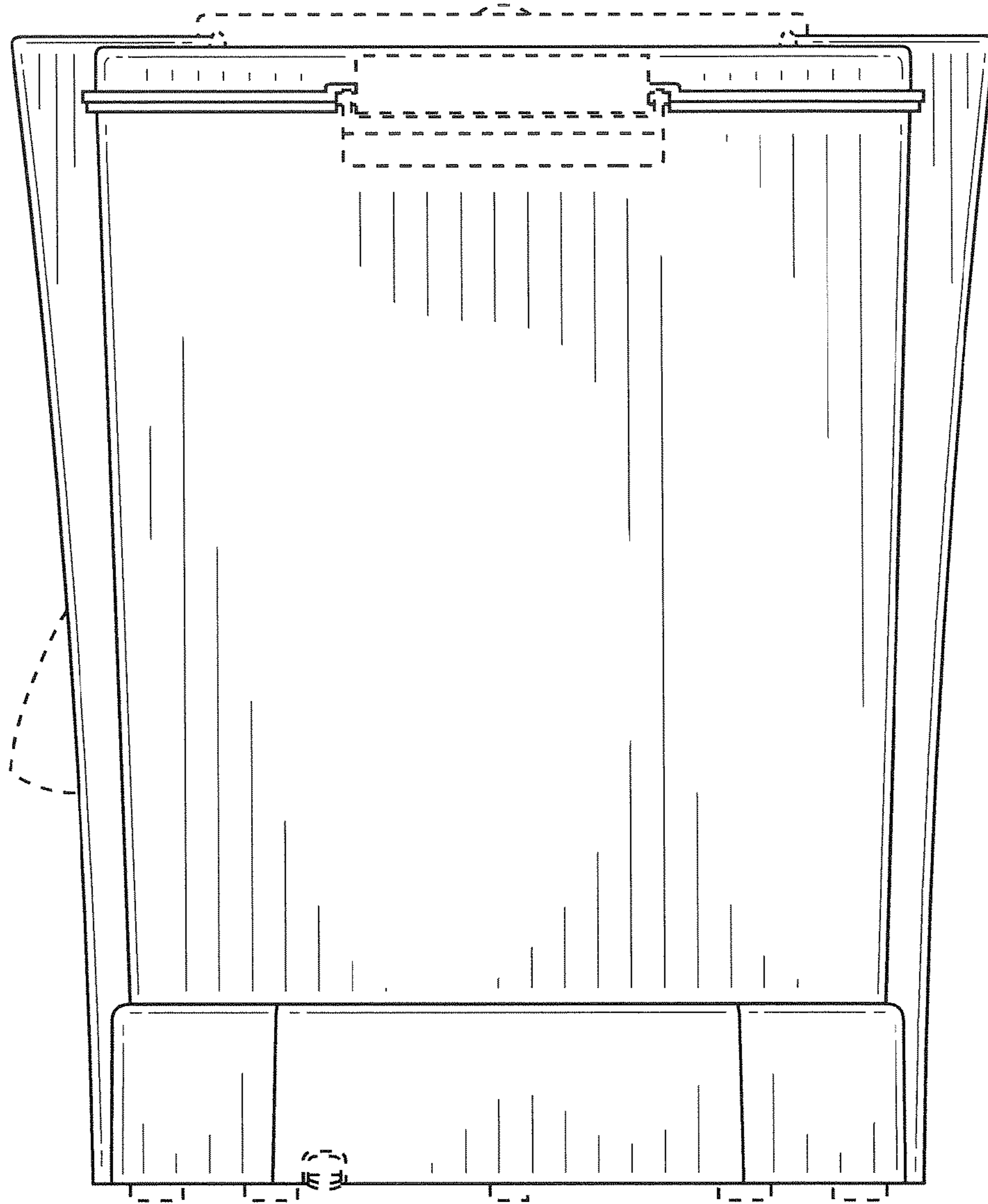


FIG. 6

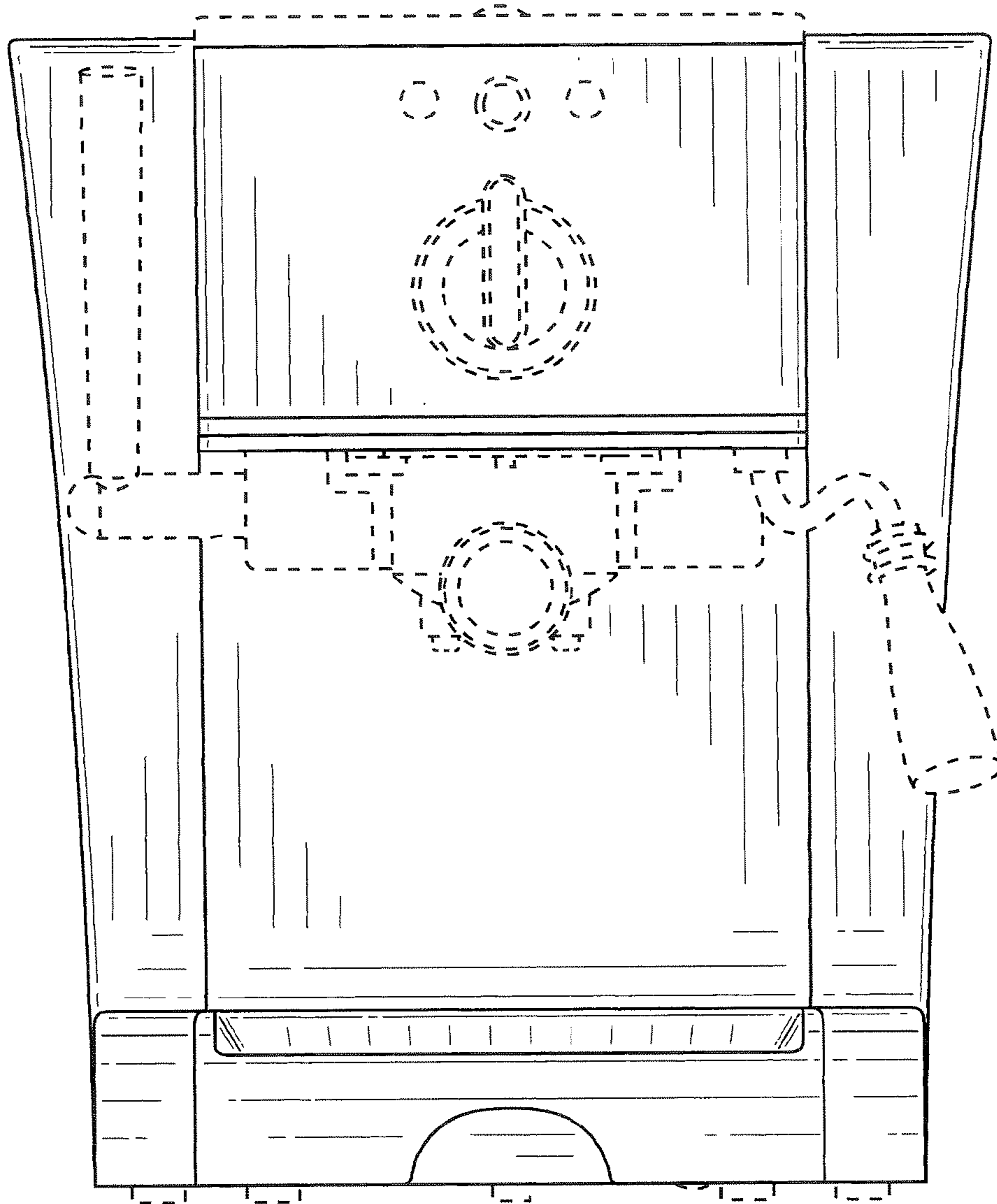


FIG. 7