



US00D634962S

(12) **United States Design Patent**
Butler

(10) **Patent No.:** **US D634,962 S**

(45) **Date of Patent:** **** Mar. 29, 2011**

(54) **BEVERAGE MAKER**

(75) Inventor: **Margaret F. Butler**, Raleigh, NC (US)

(73) Assignee: **Hamilton Beach Brands, Inc.**, Glen Allen, VA (US)

(**) Term: **14 Years**

(21) Appl. No.: **29/357,217**

(22) Filed: **Mar. 9, 2010**

(51) **LOC (9) Cl.** **07-01**

(52) **U.S. Cl.** **D7/306; D7/311; D7/309**

(58) **Field of Classification Search** **D7/306-311, D7/300; 99/307, 305, 309**

See application file for complete search history.

(56) **References Cited**

U.S. PATENT DOCUMENTS

| | | | |
|--------------|---------|-----------------|--------|
| D348,585 S | 7/1994 | Sham | |
| D355,561 S * | 2/1995 | Ullman | D7/309 |
| D377,290 S * | 1/1997 | Saltet | D7/309 |
| D413,479 S | 9/1999 | Mork et al. | |
| D418,000 S | 12/1999 | Mork et al. | |
| D418,357 S | 1/2000 | Lin | |
| D440,811 S * | 4/2001 | Littmann et al. | D7/309 |
| D446,990 S | 8/2001 | Prat | |
| D449,196 S | 10/2001 | Bouhuys et al. | |
| D457,375 S | 5/2002 | Picozza et al. | |

| | | | |
|--------------|---------|----------------|--------|
| D457,376 S | 5/2002 | Lin | |
| D478,242 S | 8/2003 | Garman | |
| D478,461 S | 8/2003 | Hoard | |
| D479,089 S | 9/2003 | Yao | |
| D529,752 S * | 10/2006 | Sumser et al. | D7/309 |
| D530,969 S | 10/2006 | Lin | |
| D556,496 S * | 12/2007 | Fung | D7/309 |
| D586,171 S | 2/2009 | Picozza et al. | |
| D594,688 S * | 6/2009 | Hammad et al. | D7/306 |
| D620,301 S * | 7/2010 | Picozza et al. | D7/309 |

* cited by examiner

Primary Examiner — Marianne Pandozzi

(74) *Attorney, Agent, or Firm* — Alexander D. Raring

(57) **CLAIM**

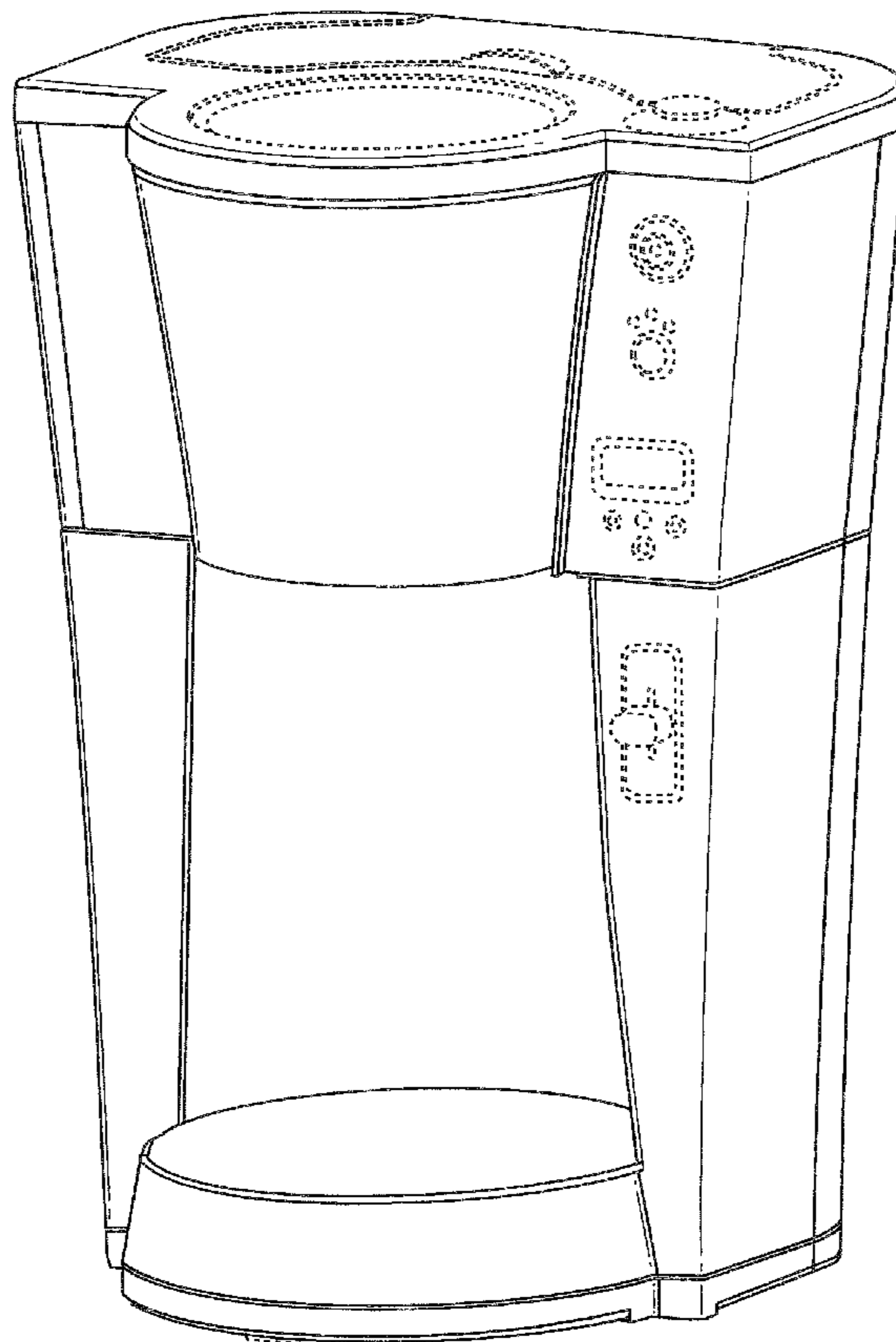
The ornamental design for a beverage maker, as shown and described.

DESCRIPTION

FIG. 1 is a perspective view as seen from the top, front and right side of a beverage maker showing the new design; FIG. 2 is a front view thereof; FIG. 3 is a rear view thereof; FIG. 4 is a right side view thereof; FIG. 5 is a left side view thereof; FIG. 6 is a top view thereof; and, FIG. 7 is a bottom view thereof.

The broken lines in the drawings are included for the purpose of illustration and form no part of the claimed design.

1 Claim, 7 Drawing Sheets



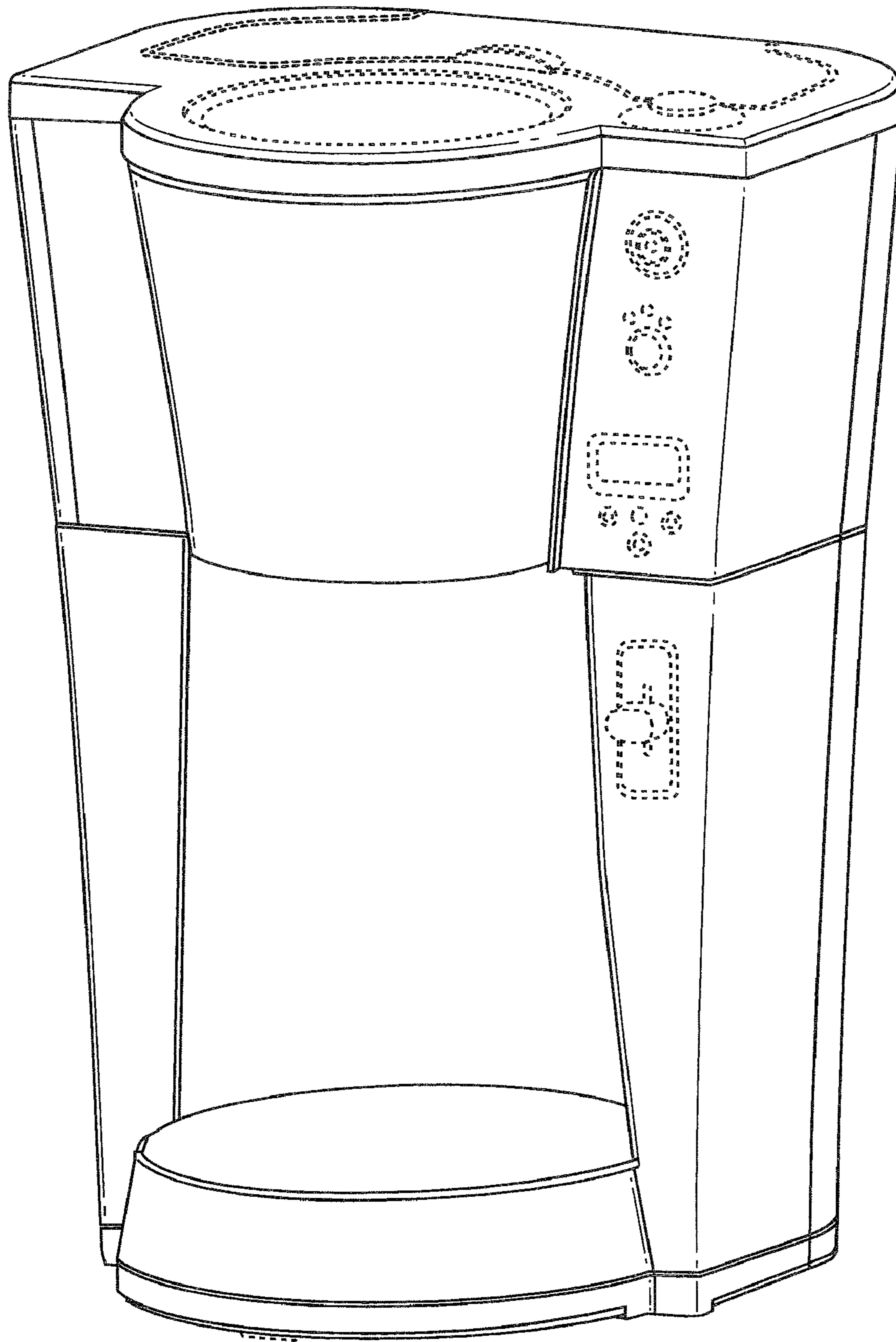


FIG. 1

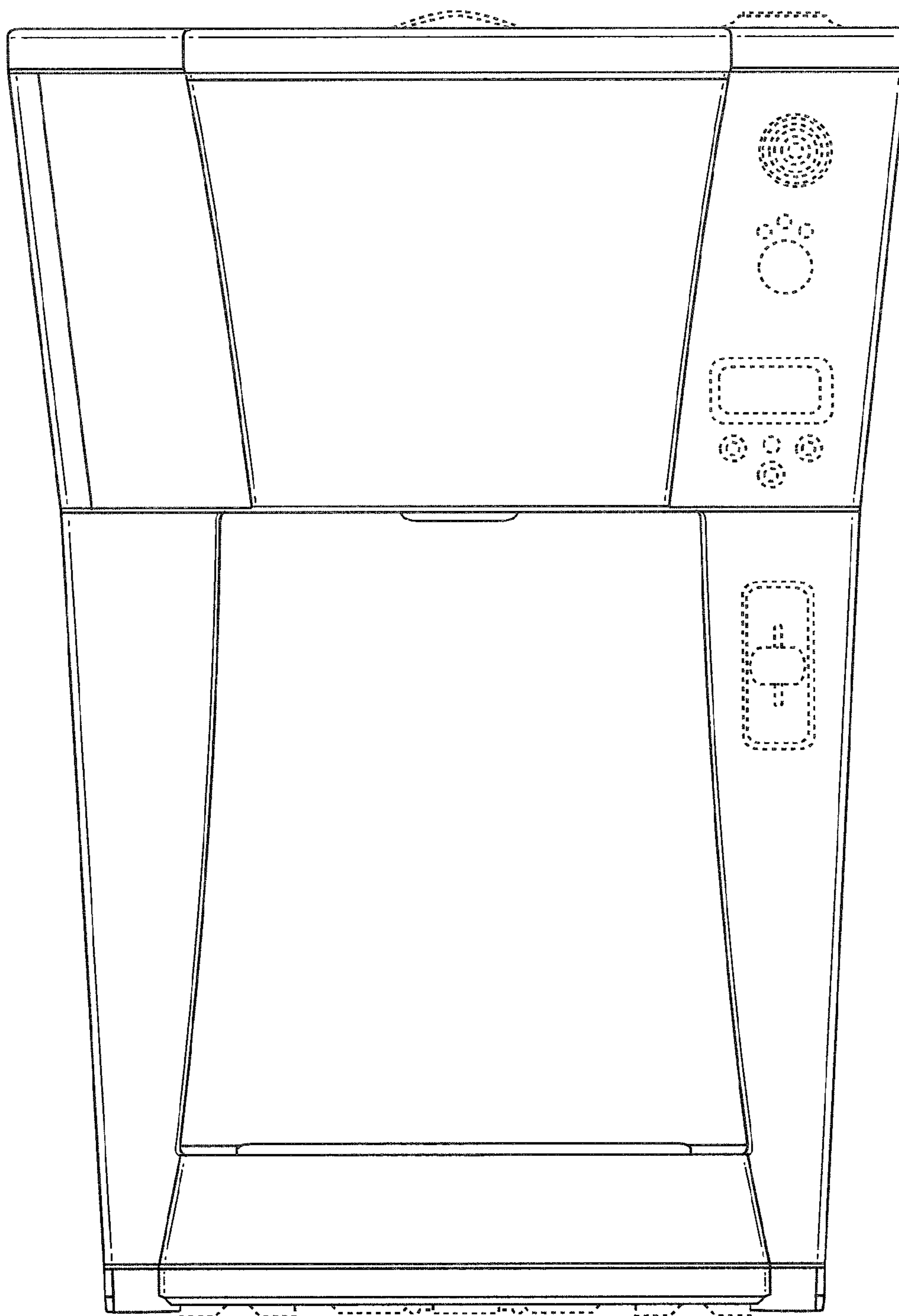


FIG. 2

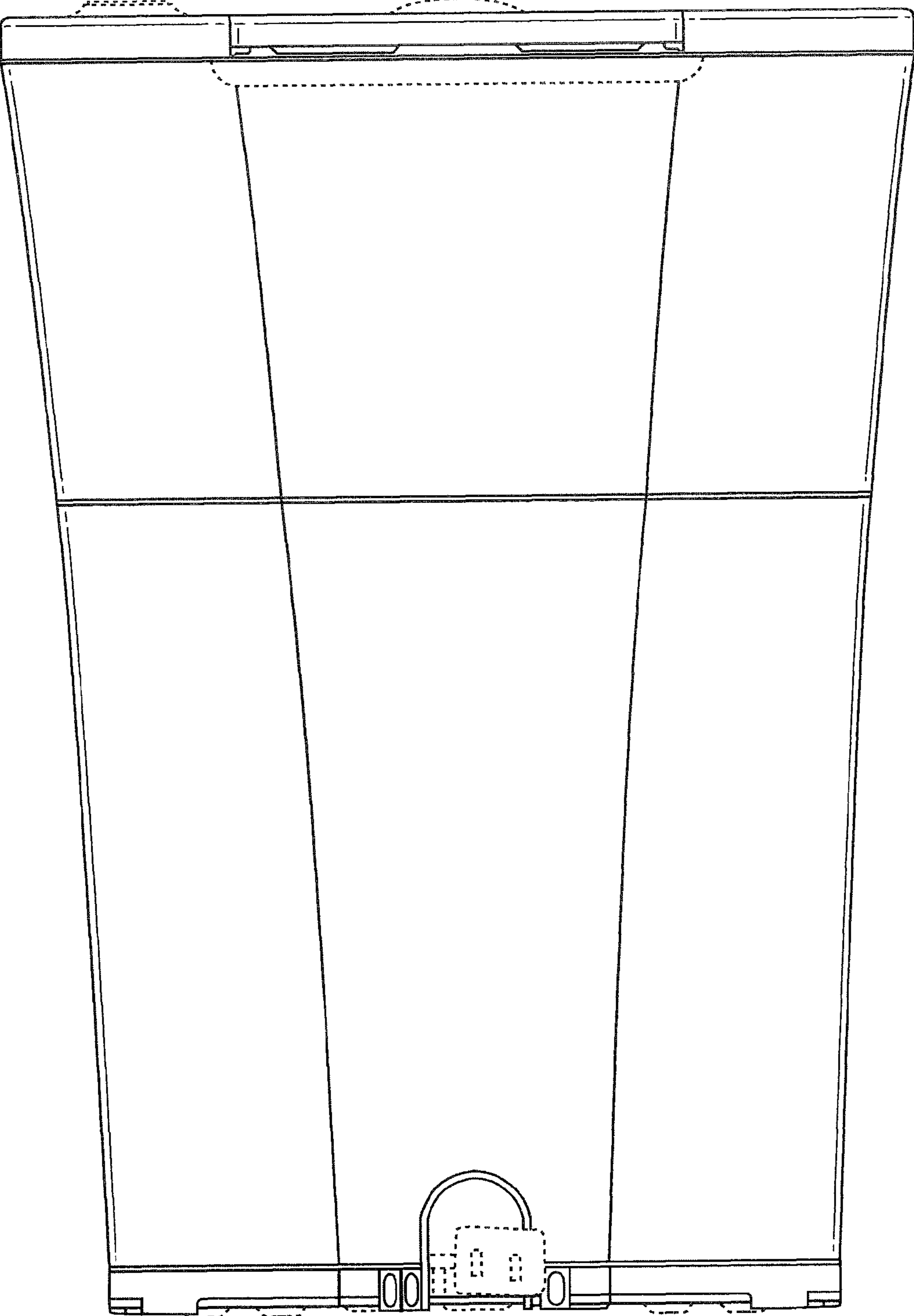


FIG. 3

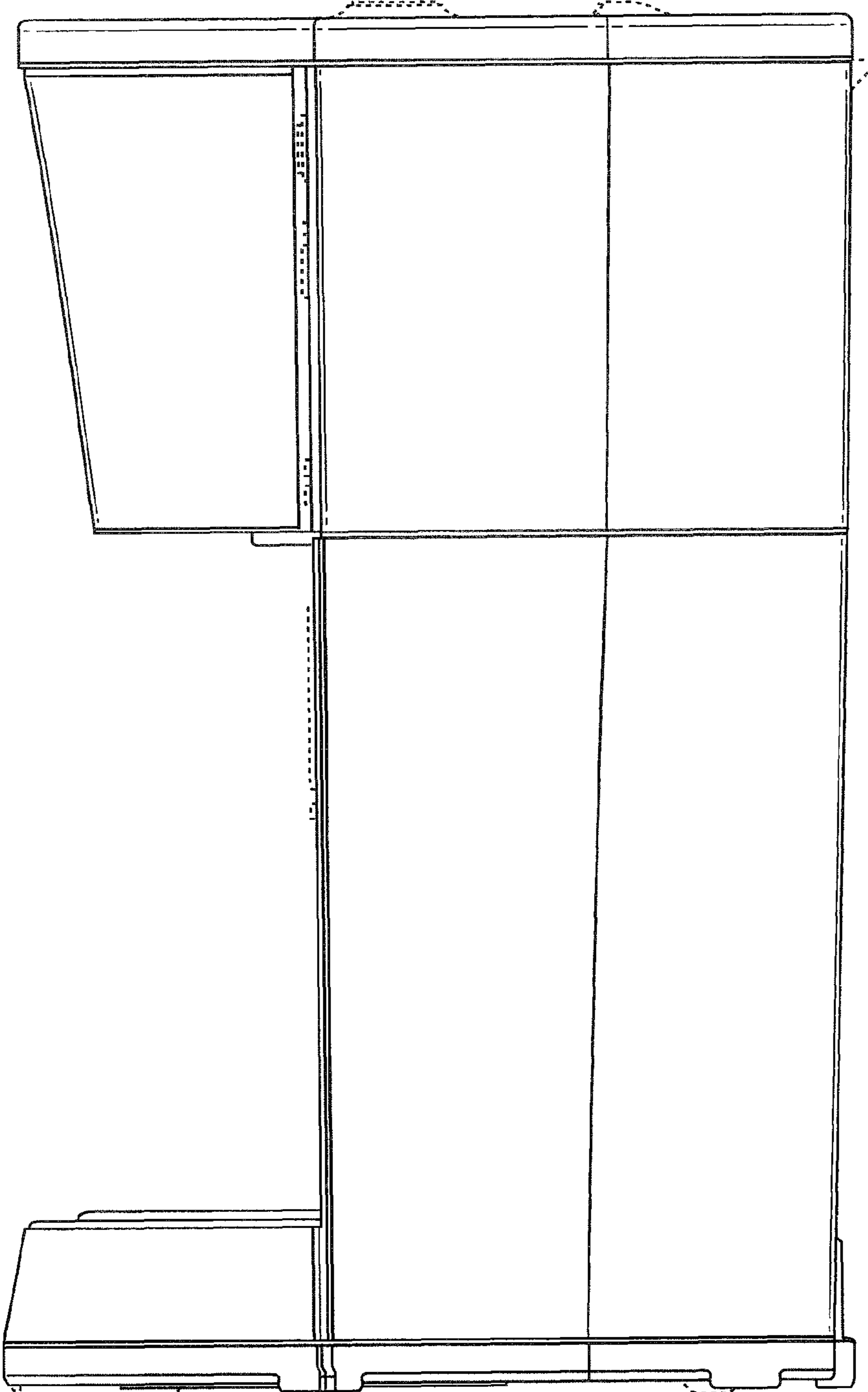


FIG. 4

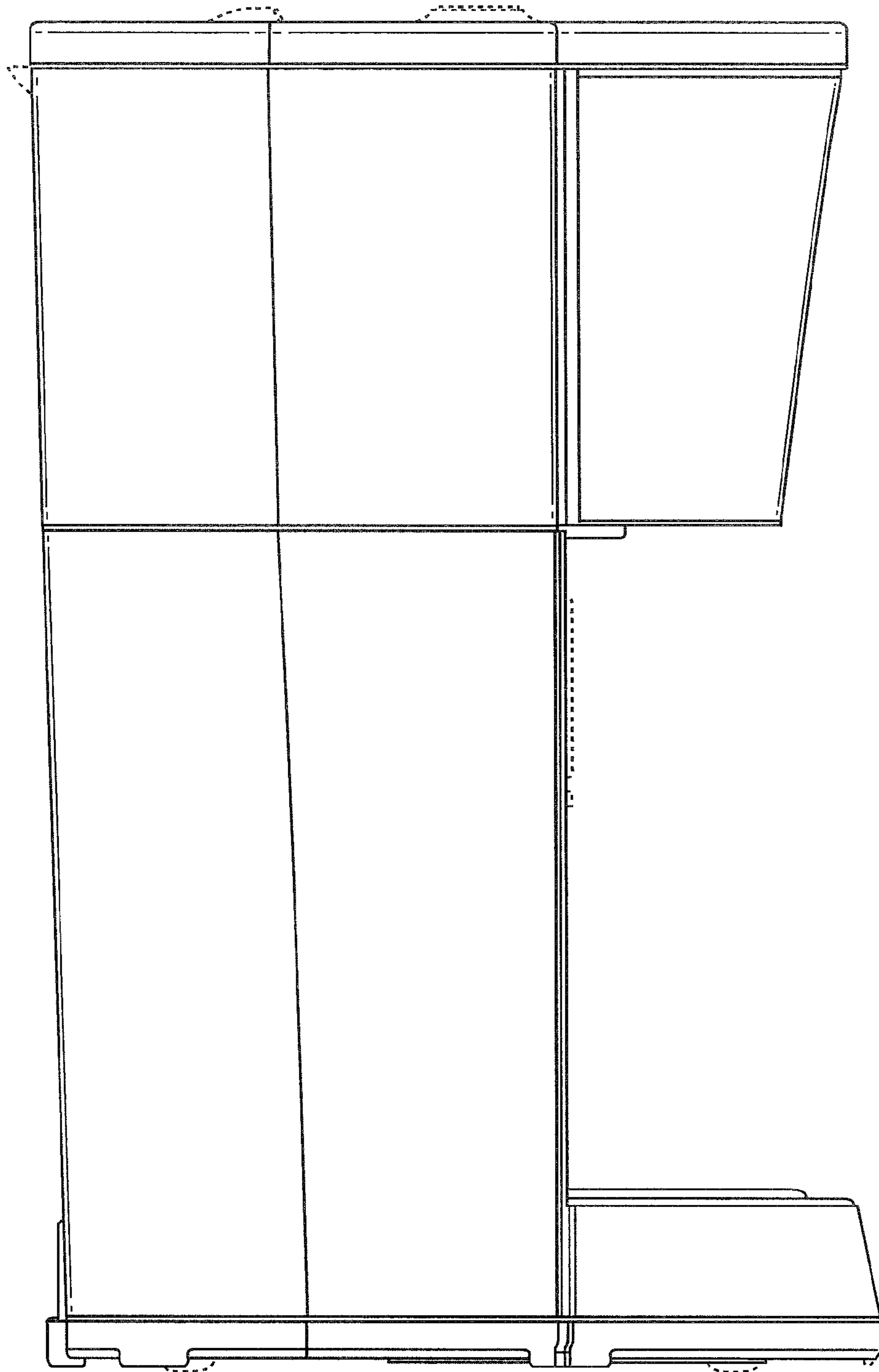


FIG. 5

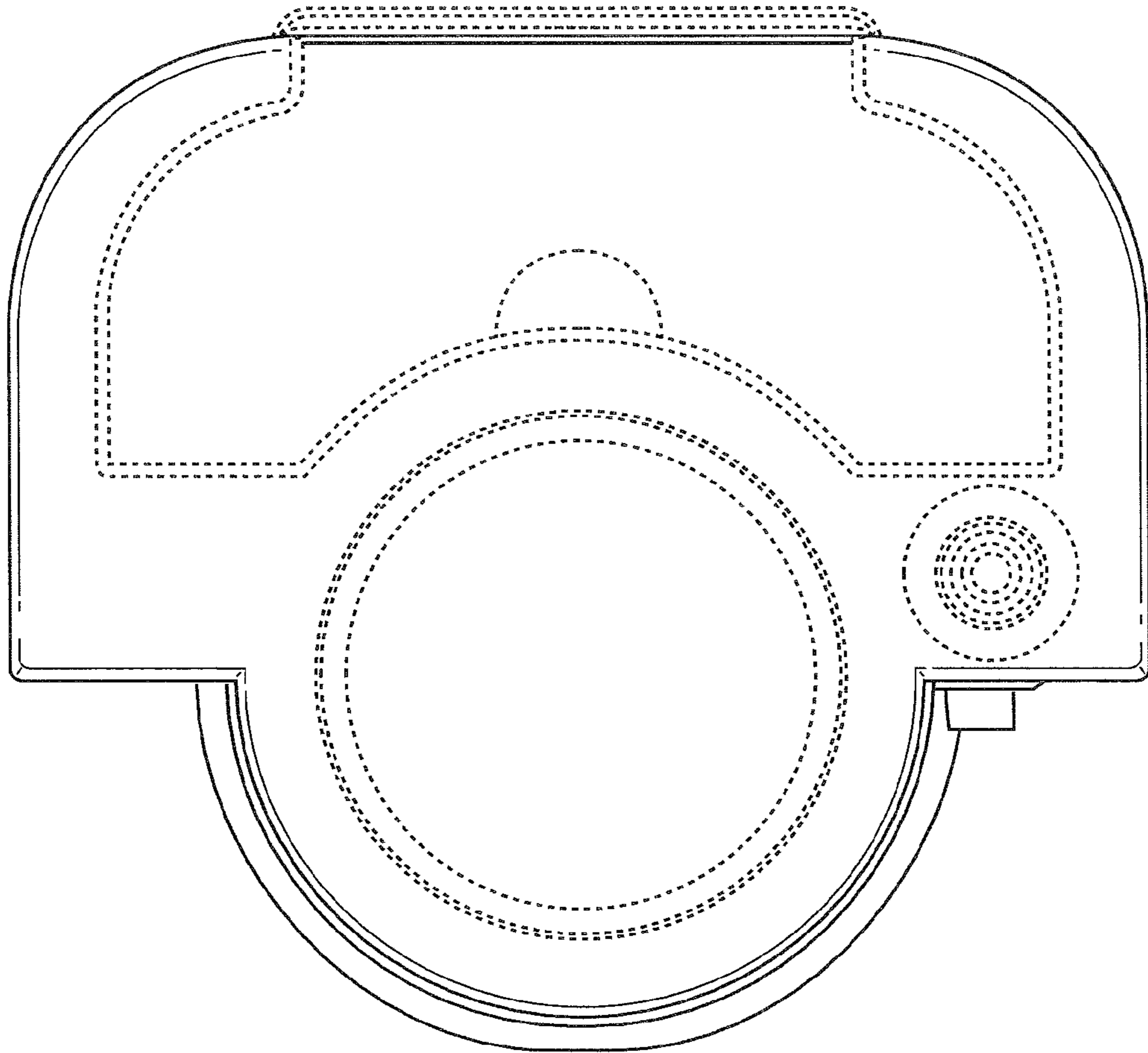


FIG. 6

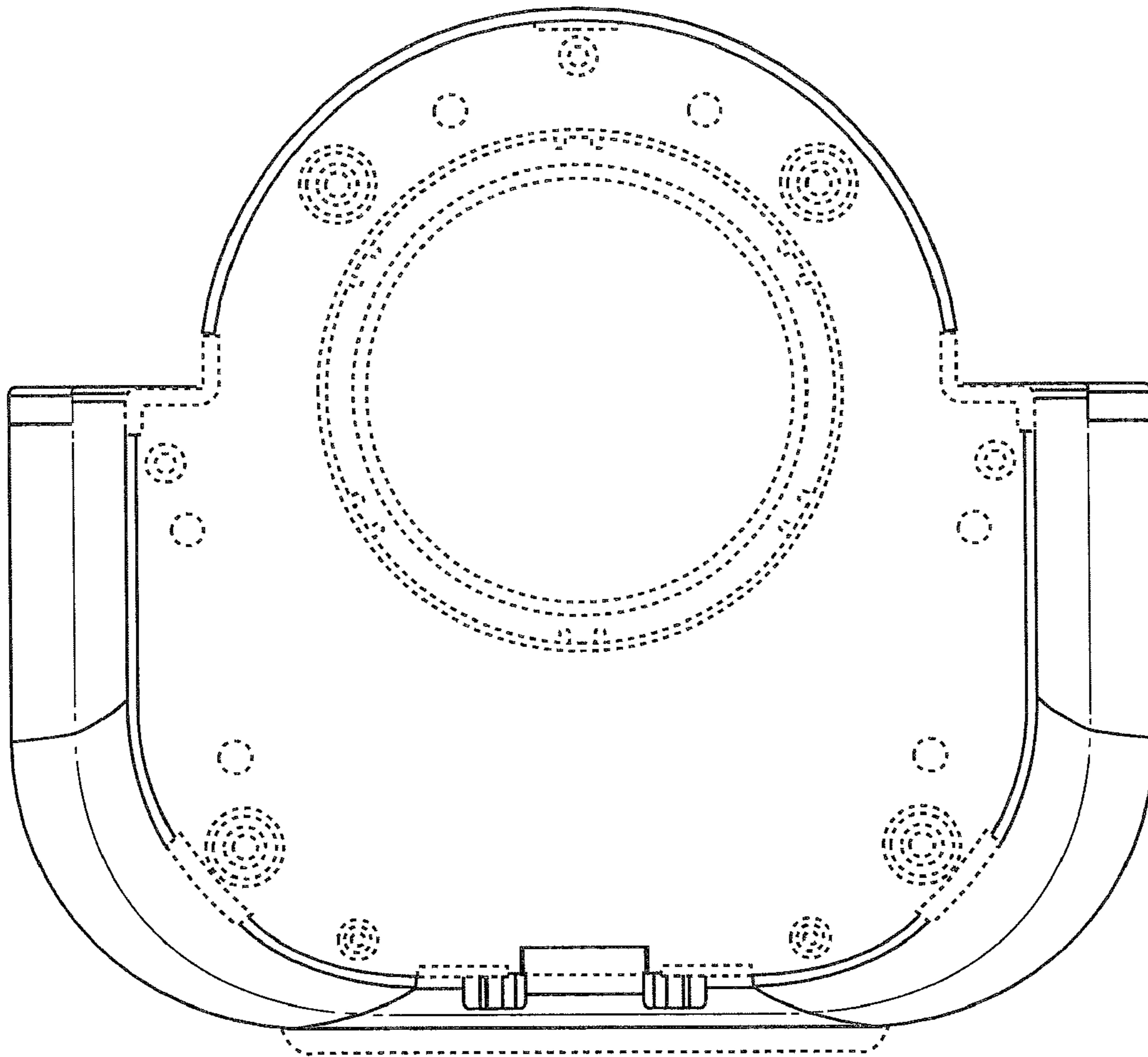


FIG. 7