



US00D634957S

(12) **United States Design Patent**
Rosenzweig

(10) **Patent No.:** **US D634,957 S**

(45) **Date of Patent:** **** Mar. 29, 2011**

(54) **FOLDABLE SHELF**

(76) **Inventor:** **Bret Rosenzweig**, Allentown, PA (US)

(**) **Term:** **14 Years**

(21) **Appl. No.:** **29/358,299**

(22) **Filed:** **Mar. 25, 2010**

(51) **LOC (9) Cl.** **06-04**

(52) **U.S. Cl.** **D6/567**

(58) **Field of Classification Search** D6/512,
D6/515, 553, 567, 524-525, 574; D7/619.1;
211/13.1, 85.4, 32, 35, 41.1, 41.5, 41.6, 42-43,
211/49.1, 70.6, 74, 75, 86.01, 87.01, 90.01,
211/90.02, 119.003, 119.005, 126.1, 126.5,
211/126.6

See application file for complete search history.

(56) **References Cited**

U.S. PATENT DOCUMENTS

D312,185 S * 11/1990 Prater, Sr. D6/567
D546,610 S * 7/2007 Blanchard D6/567
D611,748 S * 3/2010 Stephens D6/567

* cited by examiner

Primary Examiner — Brian N Vinson

(74) *Attorney, Agent, or Firm* — Jerry Haynes Law

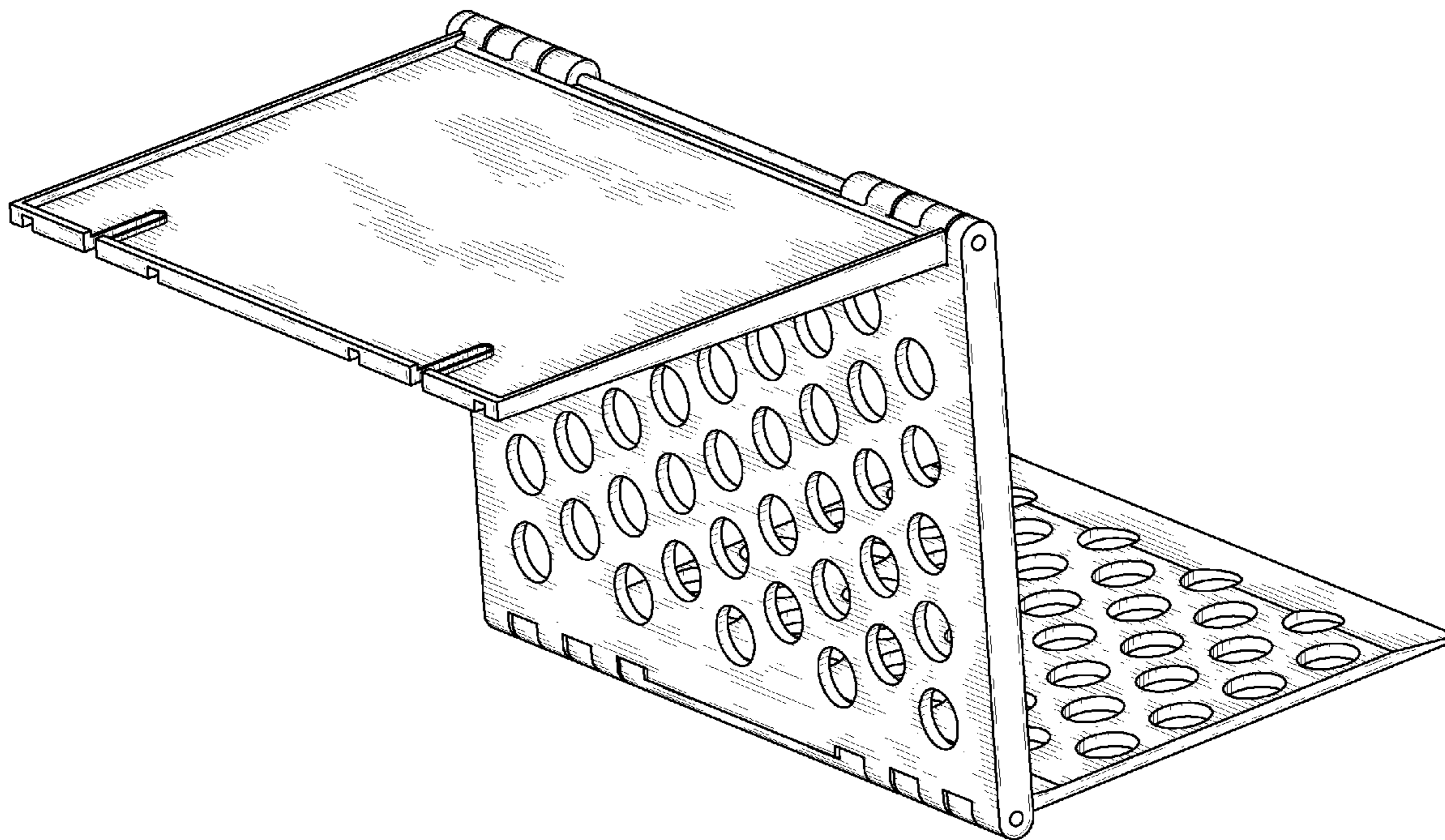
(57) **CLAIM**

The ornamental design for a foldable shelf, as shown and described.

DESCRIPTION

FIG. 1 is a front perspective view of a foldable shelf showing my new design;
FIG. 2 is a right side view thereof;
FIG. 3 is a left side view thereof;
FIG. 4 is a front view thereof;
FIG. 5 is a back view thereof;
FIG. 6 is a top view thereof; and,
FIG. 7 is a bottom view thereof.

1 Claim, 4 Drawing Sheets



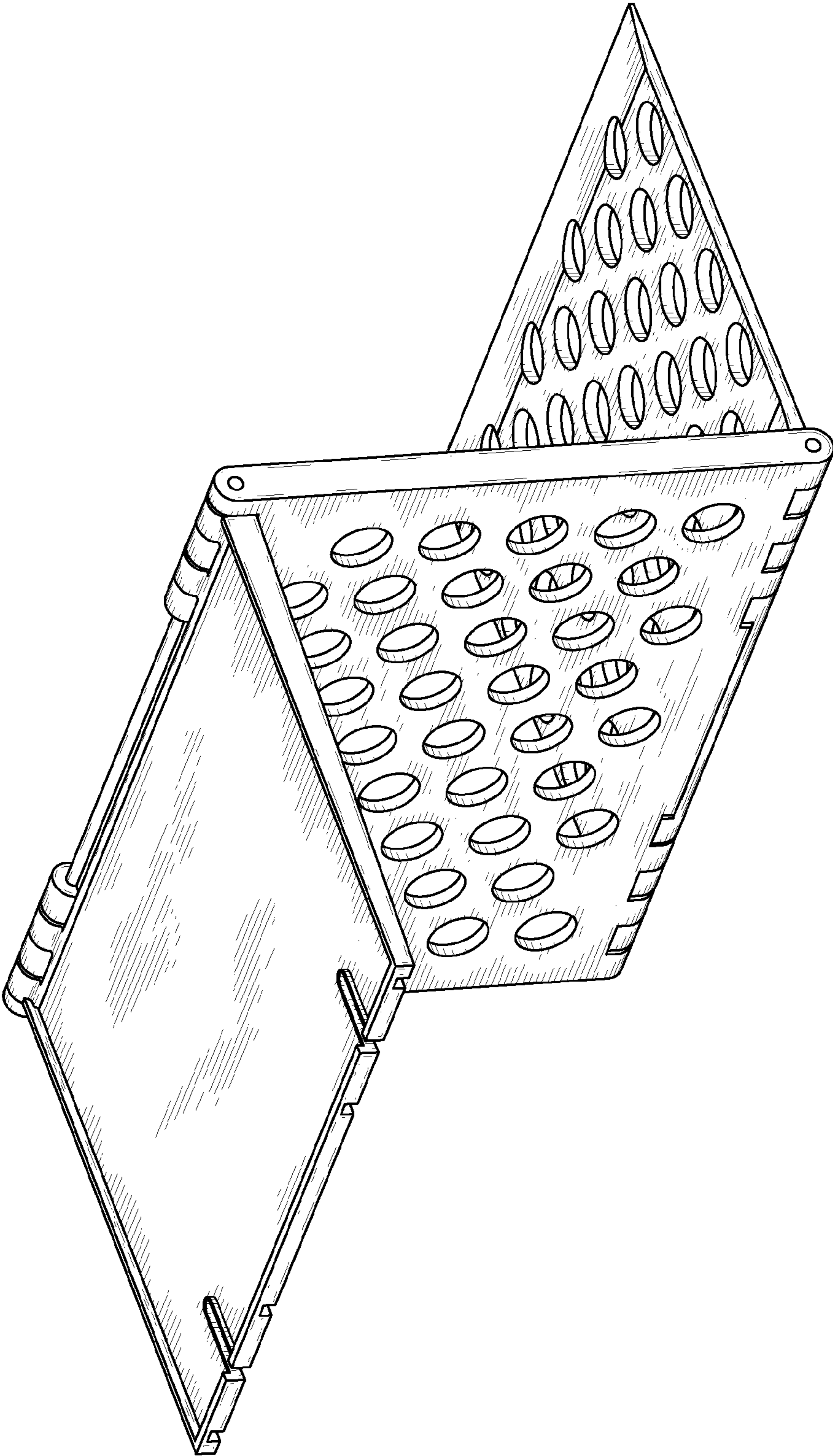


FIG. 1

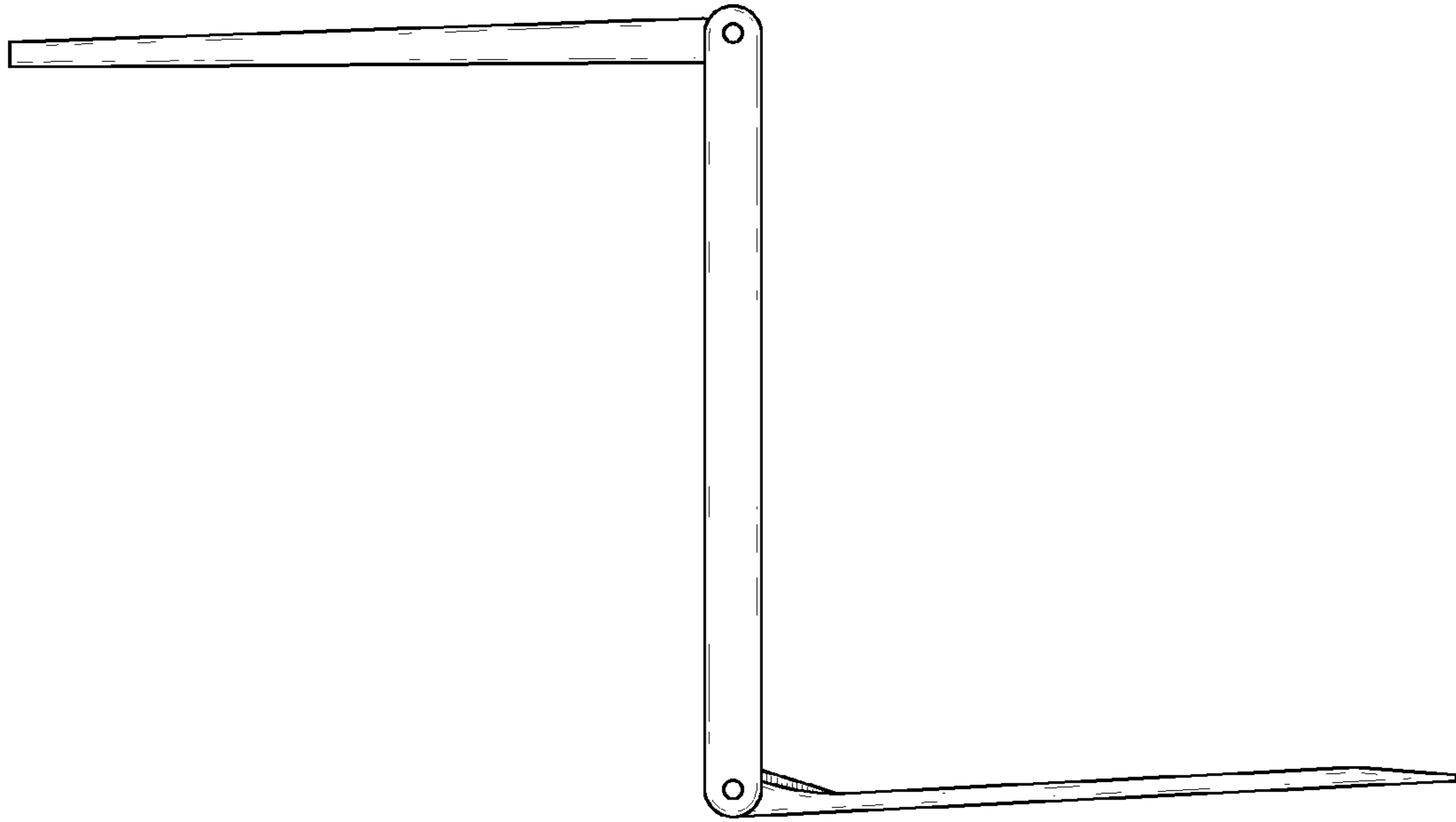


FIG. 2

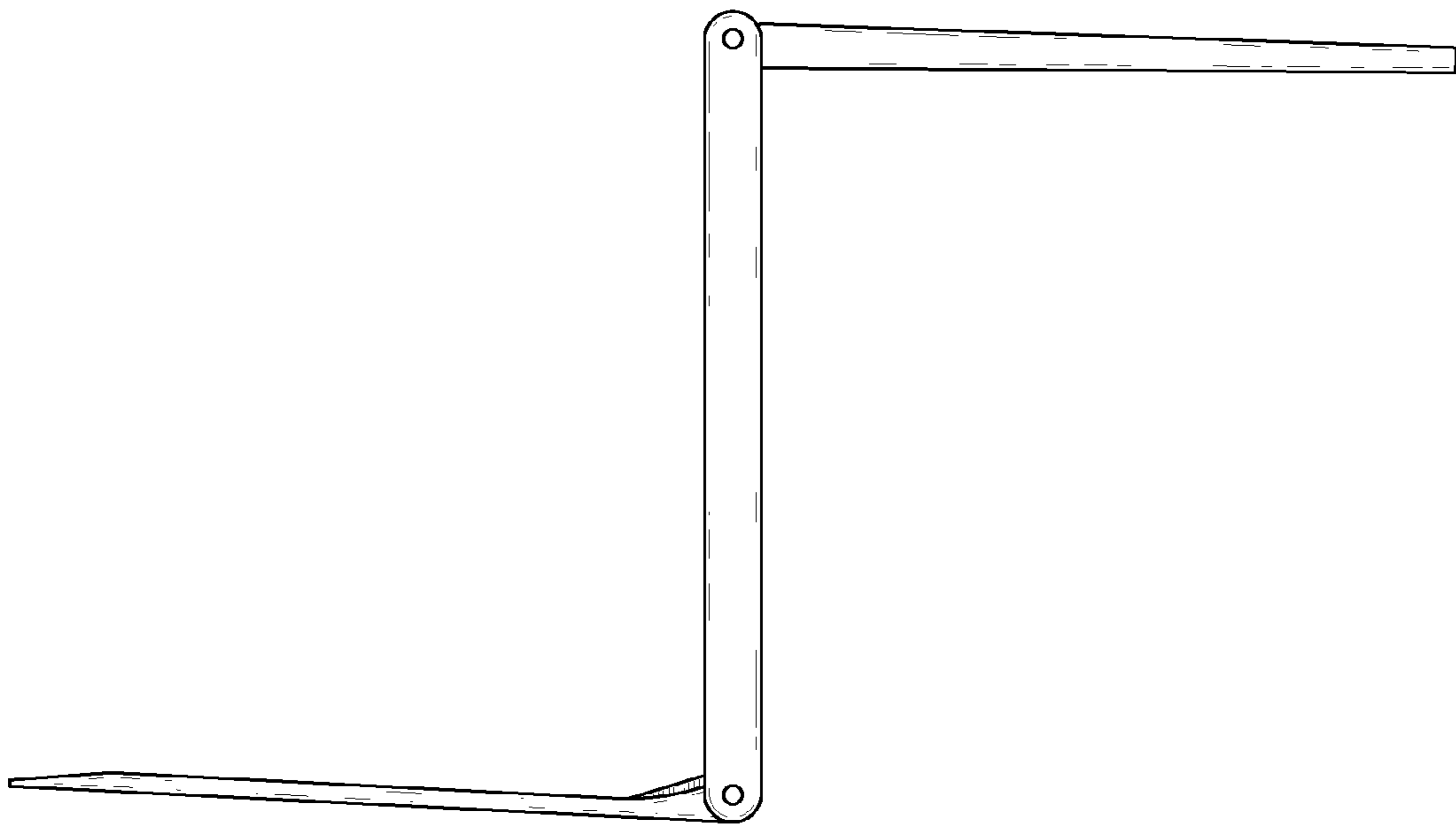


FIG. 3

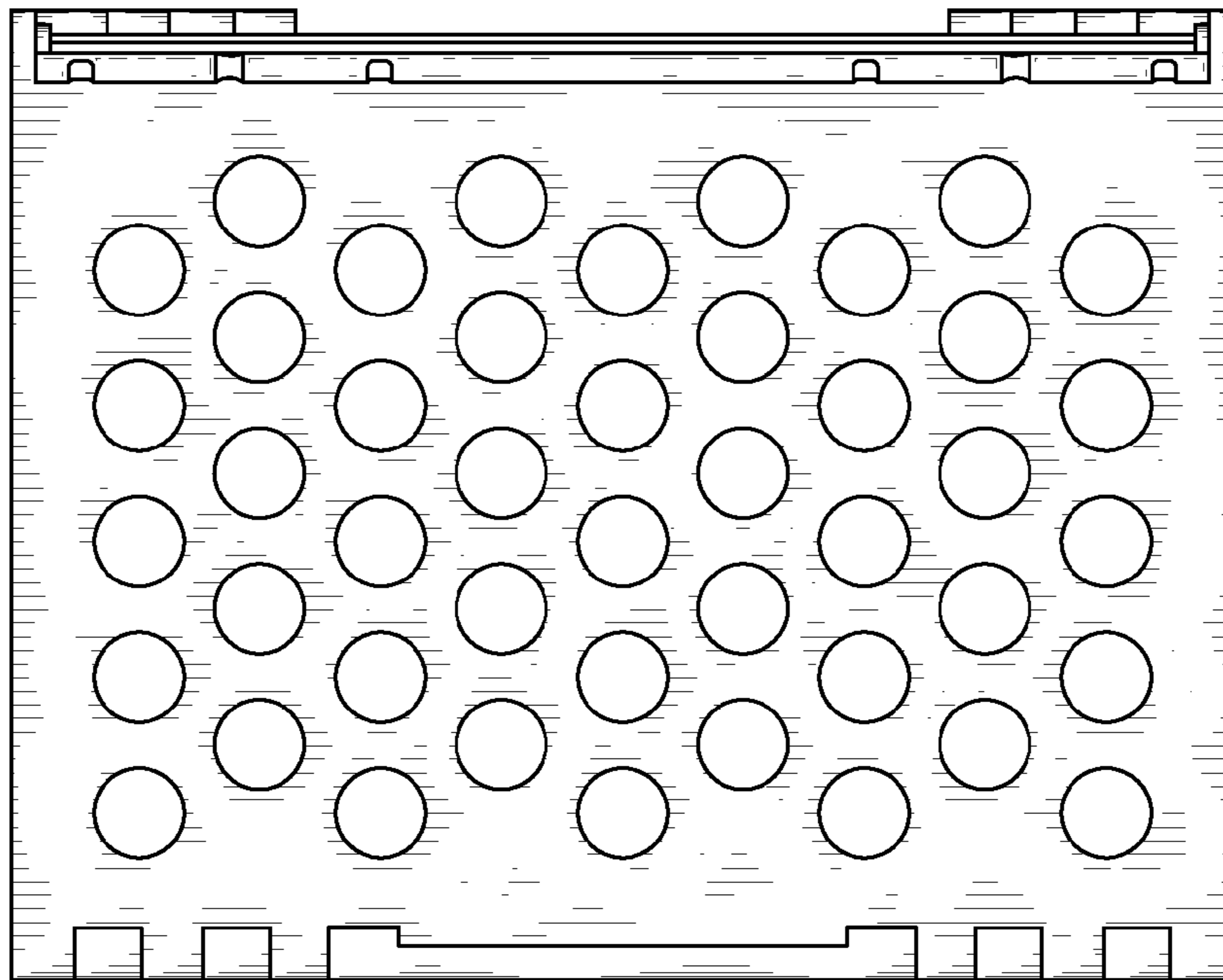


FIG. 4

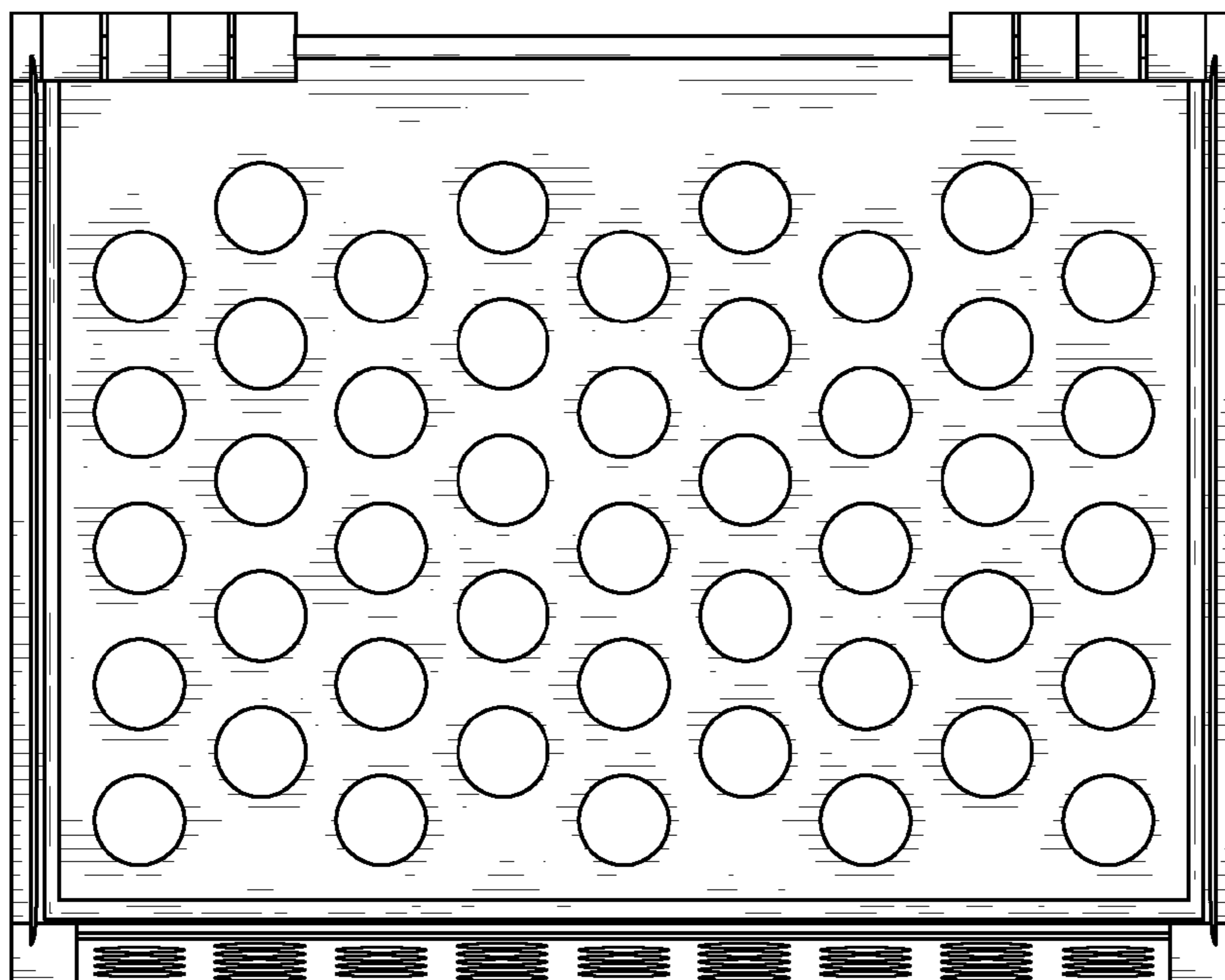


FIG. 5

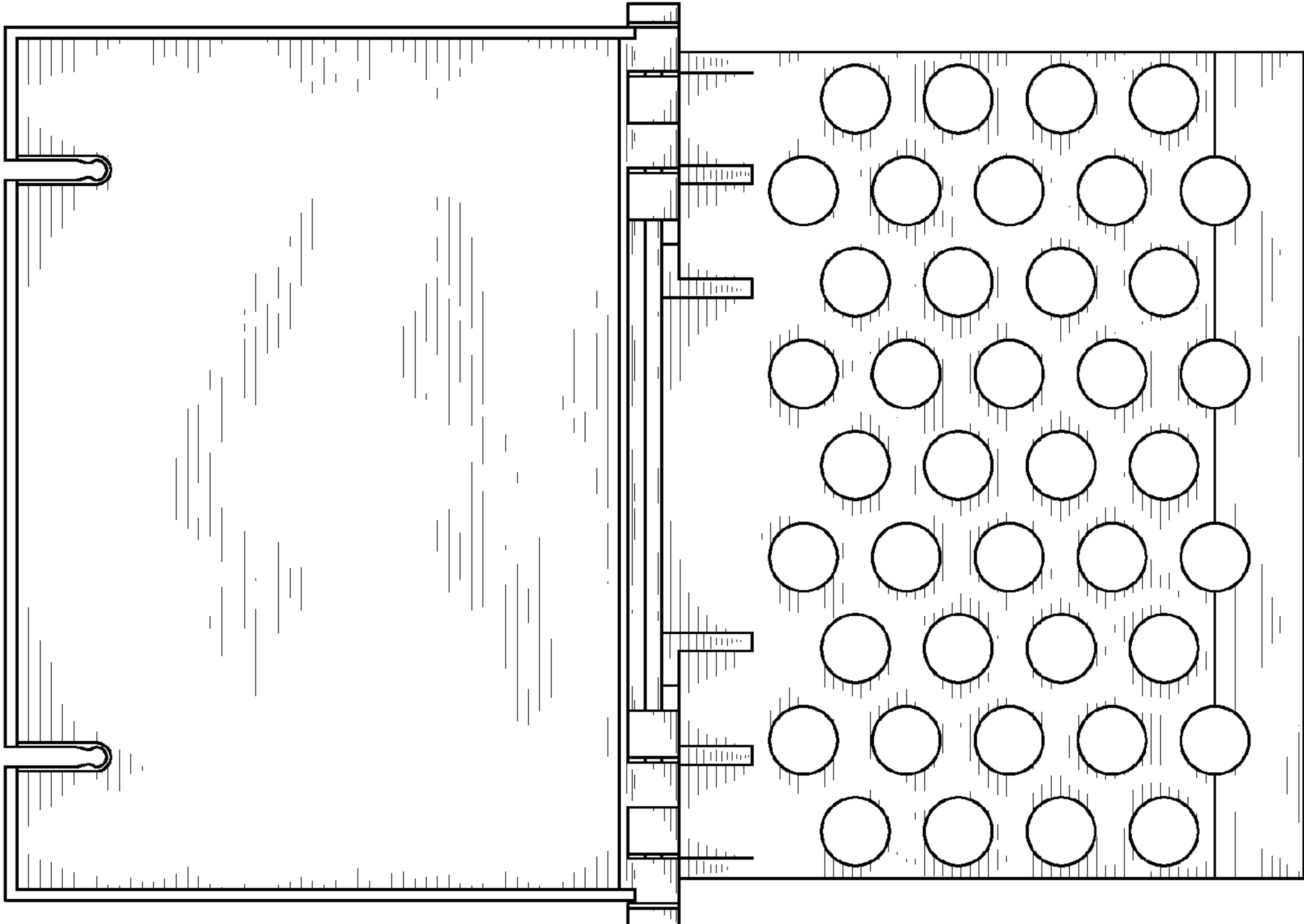


FIG. 6

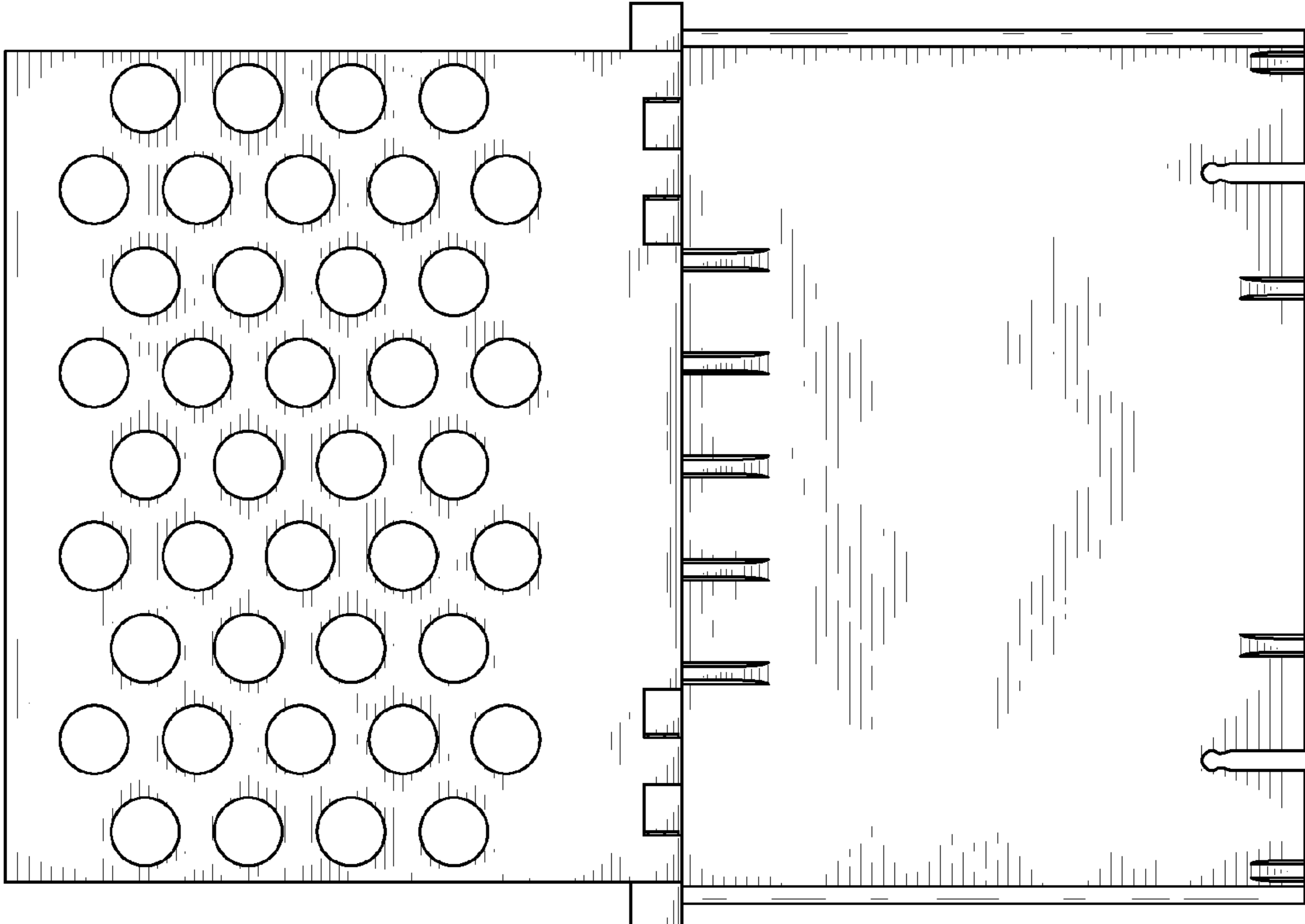


FIG. 7