



US00D634956S

(12) **United States Design Patent**  
**St. John**

(10) **Patent No.:** **US D634,956 S**  
(45) **Date of Patent:** **\*\* Mar. 29, 2011**

(54) **TARGET STAND**

(75) **Inventor:** **Charles L. St. John**, North Vernon, IN (US)

(73) **Assignee:** **3D Archery Products, LLC**, North Vernon, IN (US)

(\*\*) **Term:** **14 Years**

(21) **Appl. No.:** **29/376,204**

(22) **Filed:** **Oct. 4, 2010**

**Related U.S. Application Data**

(63) Continuation-in-part of application No. 29/341,697, filed on Aug. 11, 2009, now Pat. No. Des. 624,770, which is a continuation-in-part of application No. 29/304,969, filed on Mar. 11, 2008, now Pat. No. Des. 600,482.

(51) **LOC (9) Cl.** ..... **08-08**

(52) **U.S. Cl.** ..... **D6/552**

(58) **Field of Classification Search** ..... D6/329, D6/396, 417, 552, 553, 567; D21/385, 662, D21/698; 211/13.1, 49.1, 60.1, 64, 70.5, 211/86.01, 87.01, 88.01, 89.01, 181.1; 248/560, 248/121, 175, 200, 302, 304, 309.1, 310, 248/312

See application file for complete search history.

(56) **References Cited**

**U.S. PATENT DOCUMENTS**

2,593,789 A \* 4/1952 Pearson ..... 211/60.1  
3,313,505 A \* 4/1967 Petrie ..... 248/121

D349,545 S \* 8/1994 Cehovin et al. .... D6/552  
5,370,240 A \* 12/1994 Hand ..... 211/13.1  
5,725,106 A \* 3/1998 Wilson ..... 211/13.1  
5,862,924 A \* 1/1999 Dumont ..... D6/552  
D499,920 S \* 12/2004 Hoag et al. .... D6/552  
D588,851 S \* 3/2009 Morales ..... D6/552  
2003/0049354 A1 3/2003 Murray

**OTHER PUBLICATIONS**

Bowtree Archery Stand— web page: [www.bowtree.com/servlet/Detail?n=33](http://www.bowtree.com/servlet/Detail?n=33).

The GlenDale Grand Stand Archery Stand—web page: [www.fieldlogic.com/glendel\\_pages/grandStand.html](http://www.fieldlogic.com/glendel_pages/grandStand.html).

\* cited by examiner

*Primary Examiner* — Brian N Vinson

(74) *Attorney, Agent, or Firm* — Woodard Emhardt Moriarty McNett & Henry LLP

(57) **CLAIM**

The ornamental design for a target stand, as shown and described.

**DESCRIPTION**

FIG. 1 is a perspective view of the preferred embodiment of the target stand incorporating my new design;

FIG. 2 is a front view thereof;

FIG. 3 is a rear view thereof;

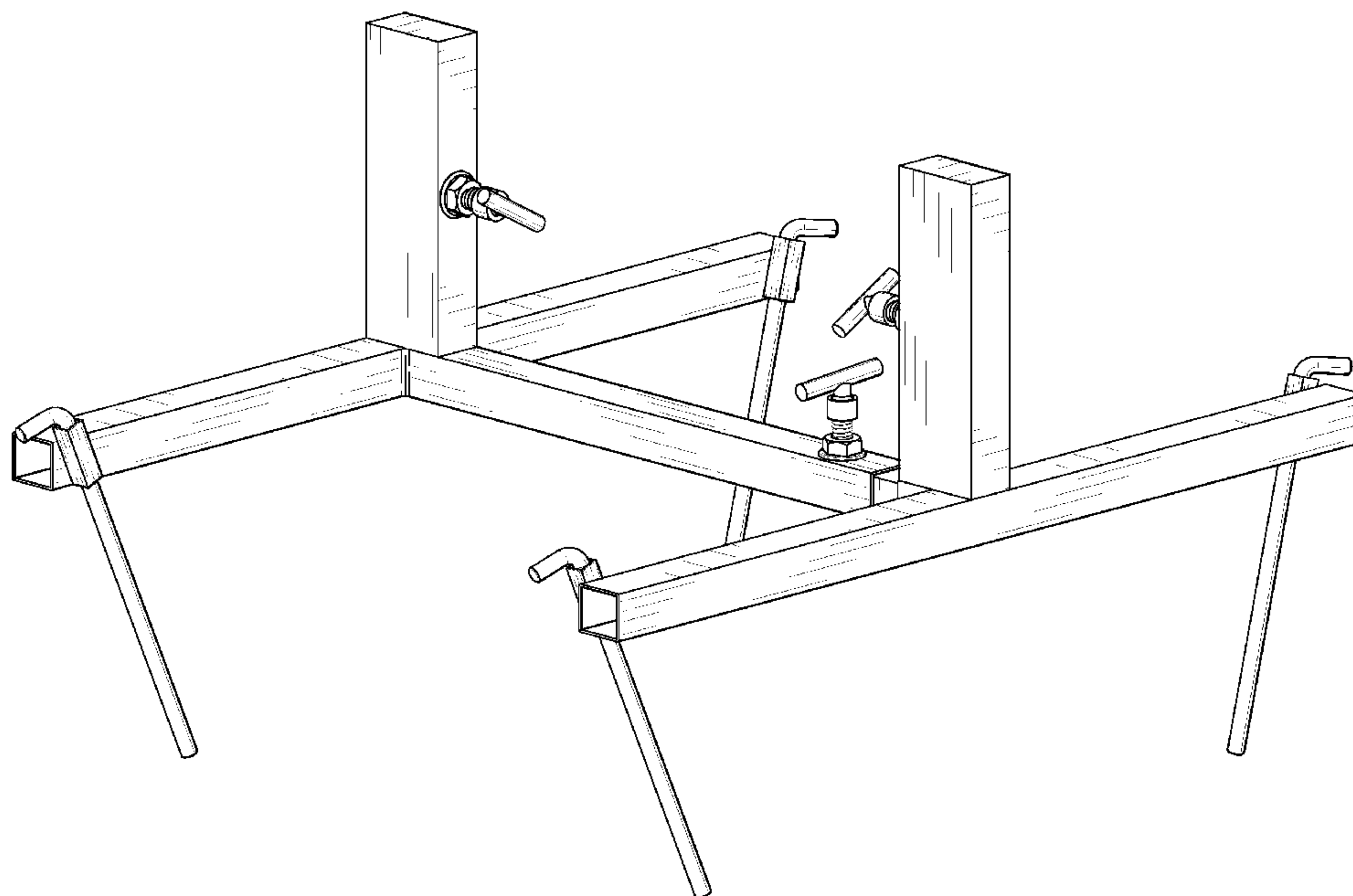
FIG. 4 is a top view thereof;

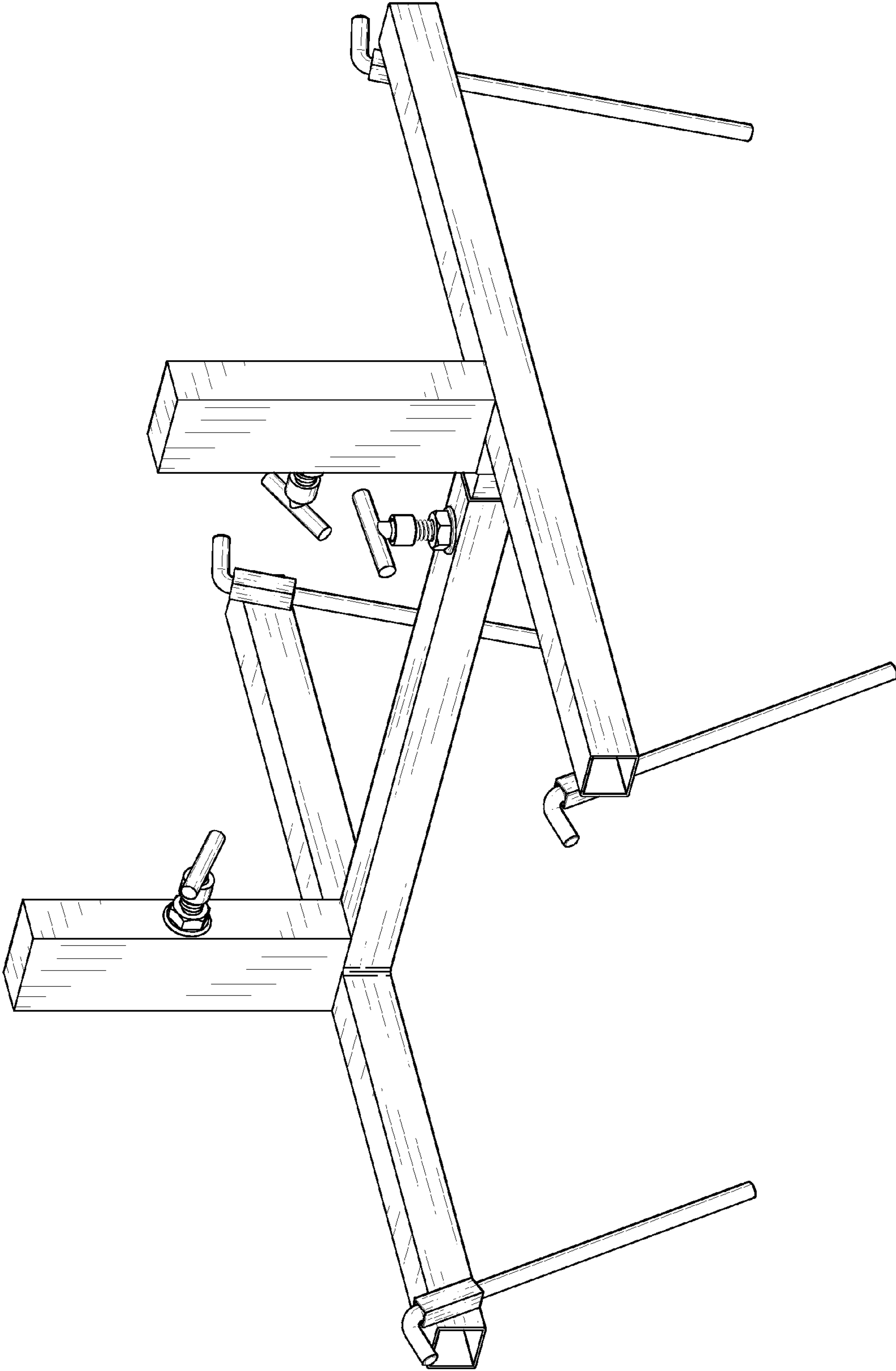
FIG. 5 is a bottom view thereof; and,

FIG. 6 is an end view thereof with the opposite end being a mirror image.

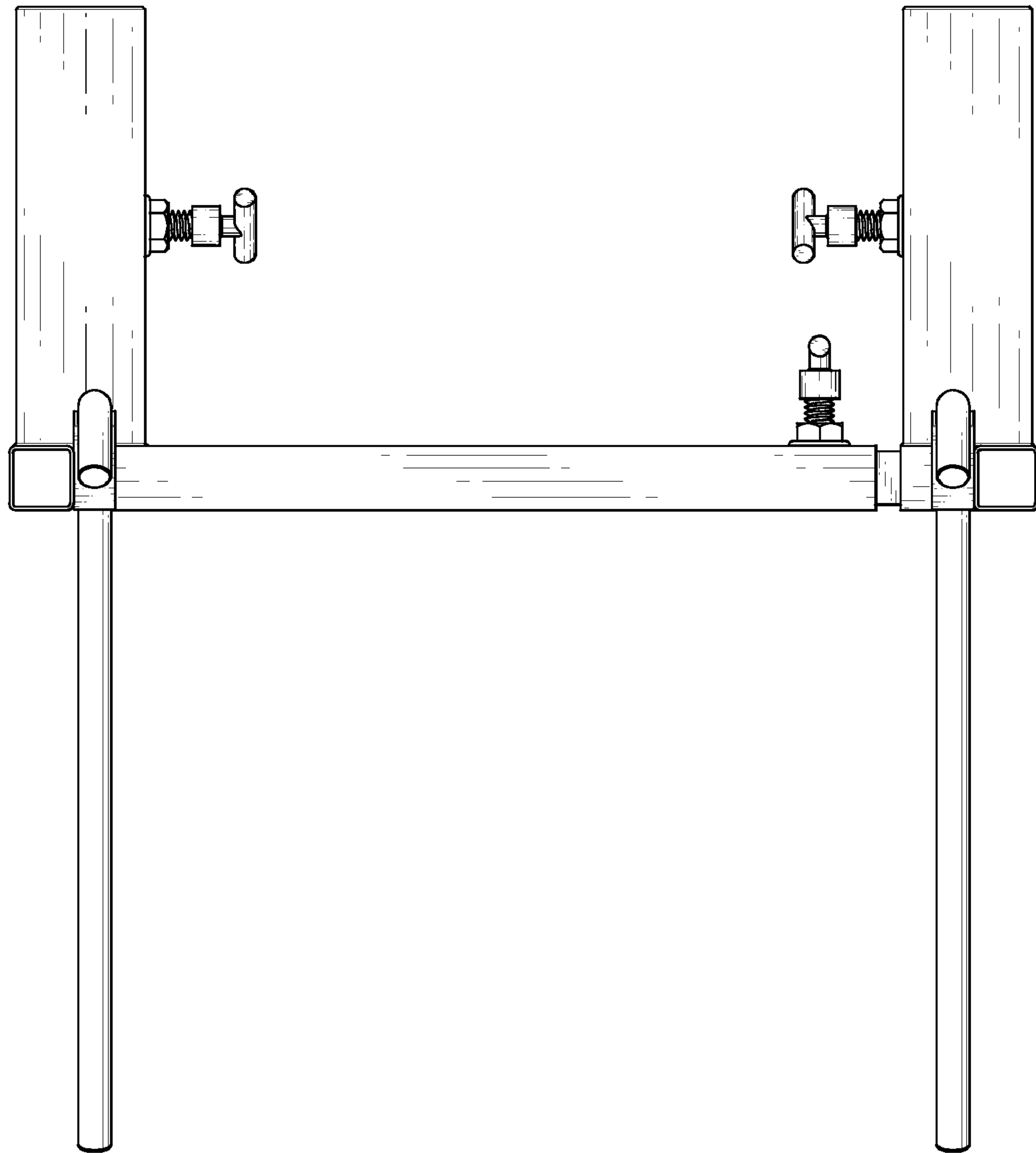
The target stand is for holding an upright target.

**1 Claim, 6 Drawing Sheets**

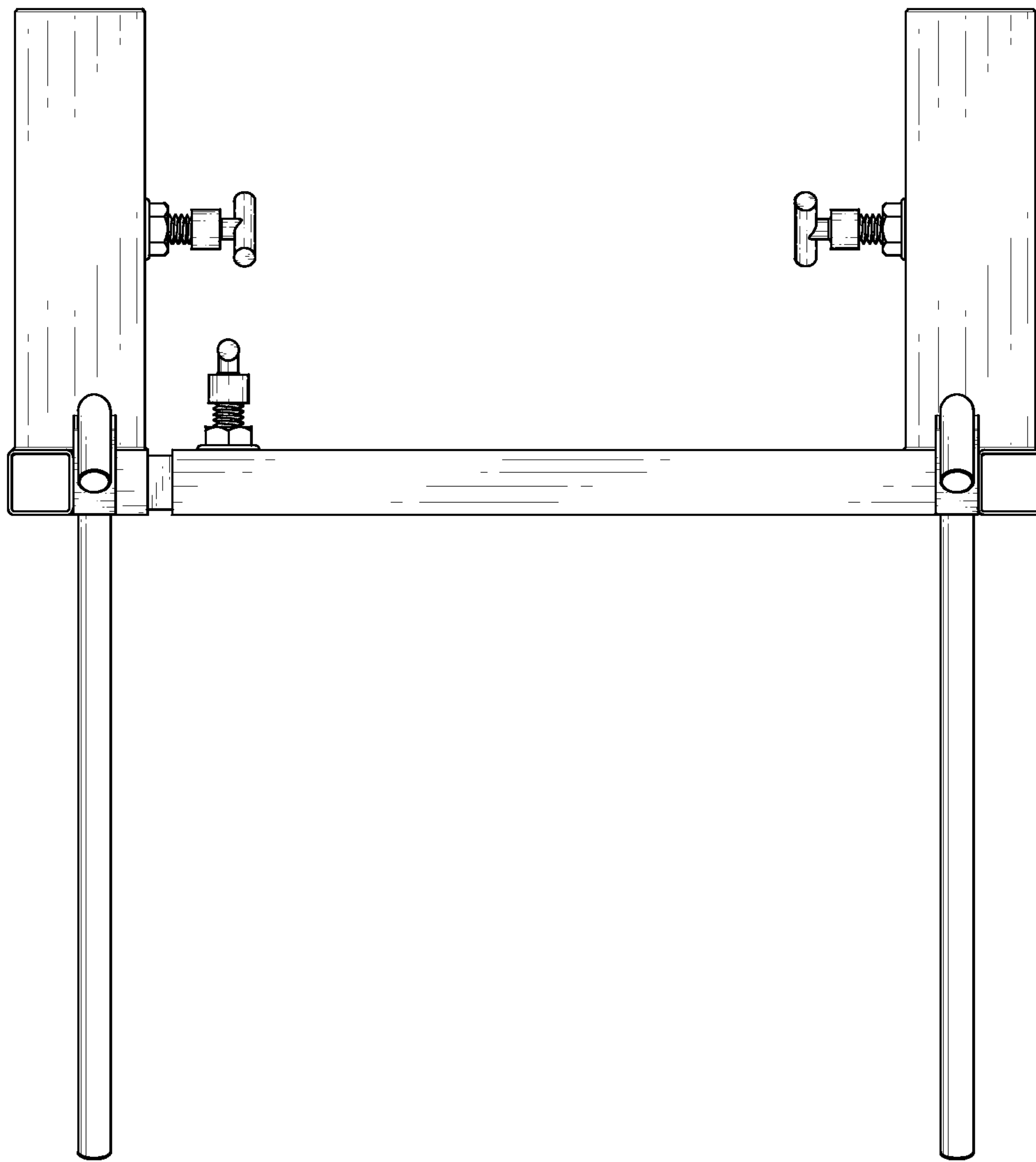




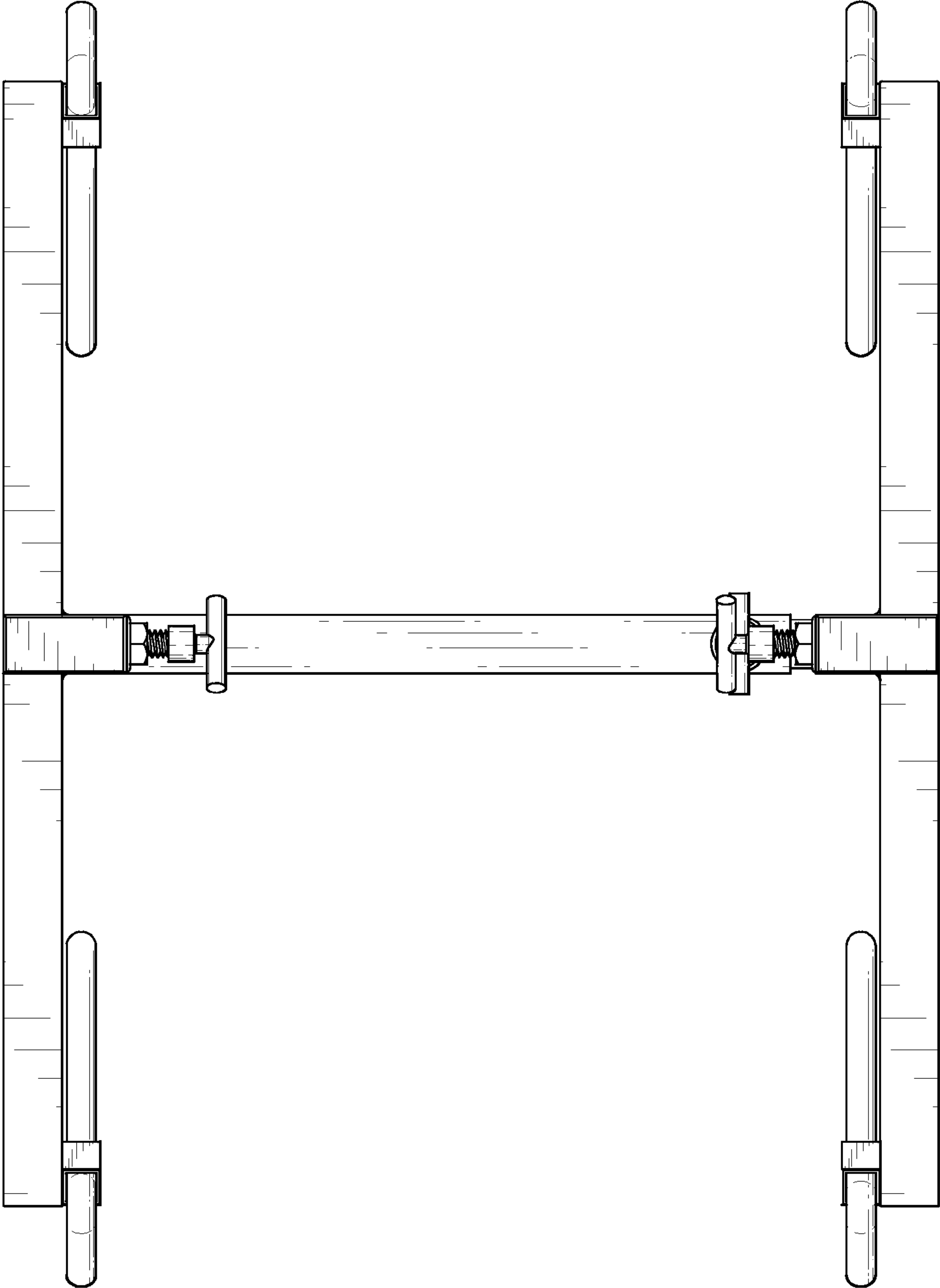
**Fig. 1**



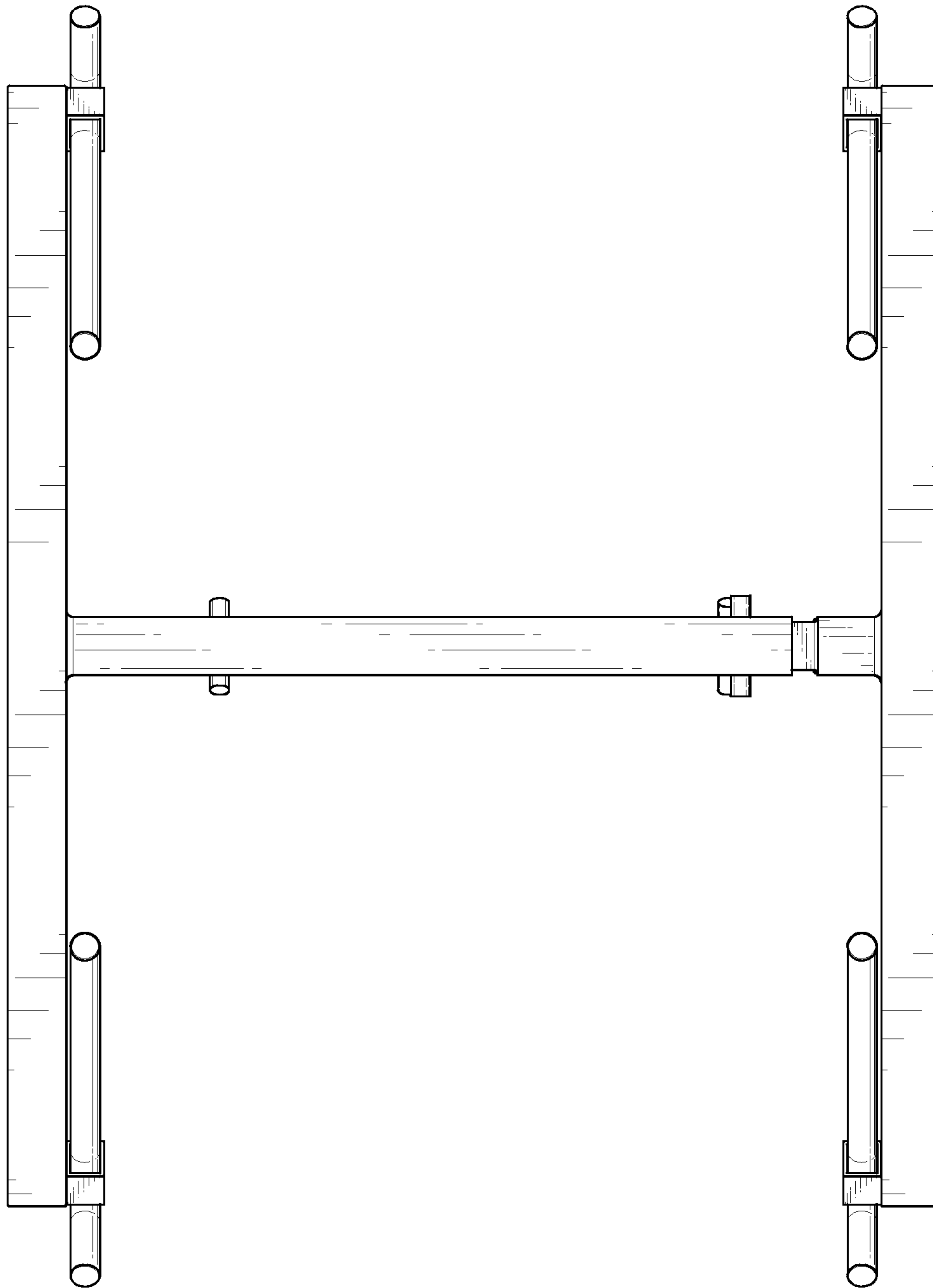
**Fig. 2**



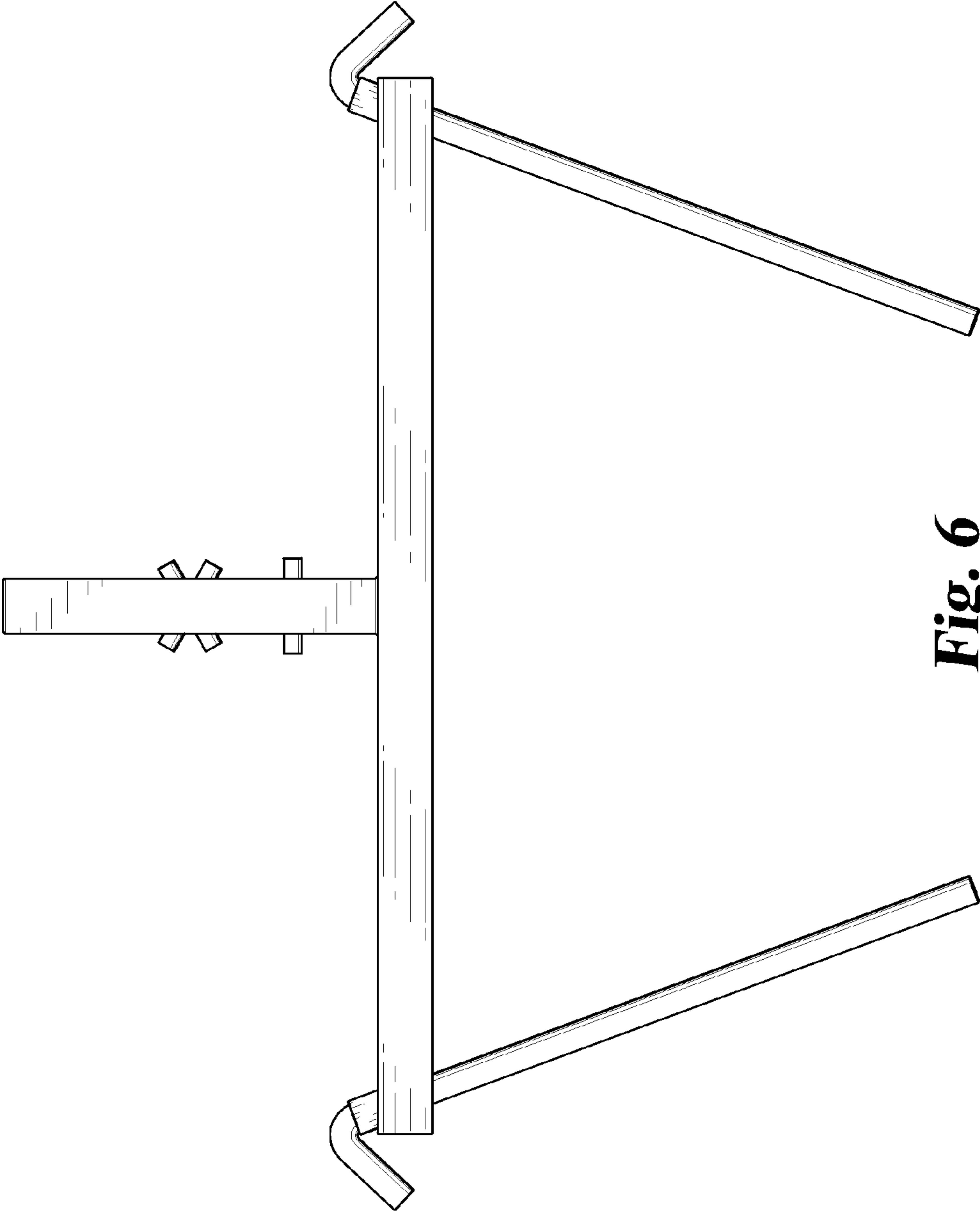
***Fig. 3***



**Fig. 4**



**Fig. 5**



**Fig. 6**