



US00D634955S

(12) **United States Design Patent**  
**Cavazos Jimenez et al.**

(10) **Patent No.:** **US D634,955 S**  
(45) **Date of Patent:** **\*\* Mar. 29, 2011**

(54) **RAZOR STAND**

(56) **References Cited**

(75) Inventors: **Rolando Antonio Cavazos Jimenez**,  
Bartlett, IL (US); **Steven Michael**  
**Schennum**, Plainfield, IL (US); **Mark**  
**Edward Miller**, Oswego, IL (US)

U.S. PATENT DOCUMENTS

D212,368 S \* 10/1968 Bowman ..... D6/526  
D425,255 S \* 5/2000 Chen ..... D6/526  
D544,264 S 6/2007 Gallagher  
D576,436 S \* 9/2008 Provost et al. .... D6/526

\* cited by examiner

(73) Assignee: **The Gillette Company**, Boston, MA  
(US)

*Primary Examiner* — Brian N Vinson

(74) *Attorney, Agent, or Firm* — Kevin C. Johnson; Steven  
W. Miller

(\*\*) Term: **14 Years**

(57) **CLAIM**

The ornamental design for a razor stand, as shown and  
described.

(21) Appl. No.: **29/379,272**

**DESCRIPTION**

(22) Filed: **Nov. 17, 2010**

(51) **LOC (9) Cl.** ..... **28-03**

(52) **U.S. Cl.** ..... **D6/526**

(58) **Field of Classification Search** ..... D6/526,

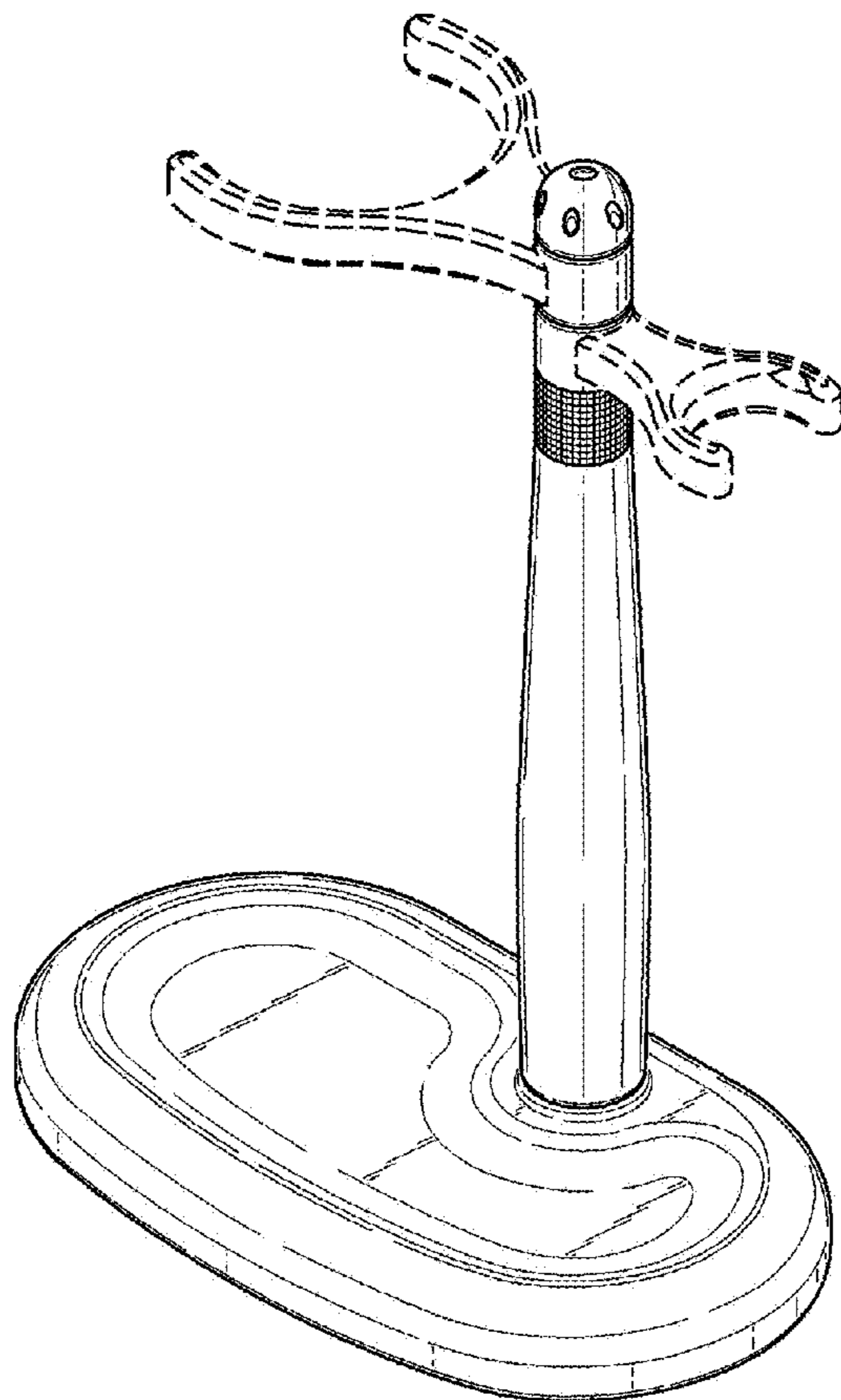
D6/524, 540; 211/13.1, 70.6, 87.01, 89.01;

248/200, 205.5, 309.1, 314, 127, 176.1

See application file for complete search history.

FIG. 1 is a perspective view of a razor stand of the present  
invention;  
FIG. 2 is a front view thereof;  
FIG. 3 is a rear view thereof;  
FIG. 4 is a left side view thereof;  
FIG. 5 is a right side view thereof;  
FIG. 6 is a top plan view thereof; and,  
FIG. 7 is a bottom plan view.  
The broken lines are shown for illustrative purposes only and  
form no part of the claimed design.

**1 Claim, 4 Drawing Sheets**



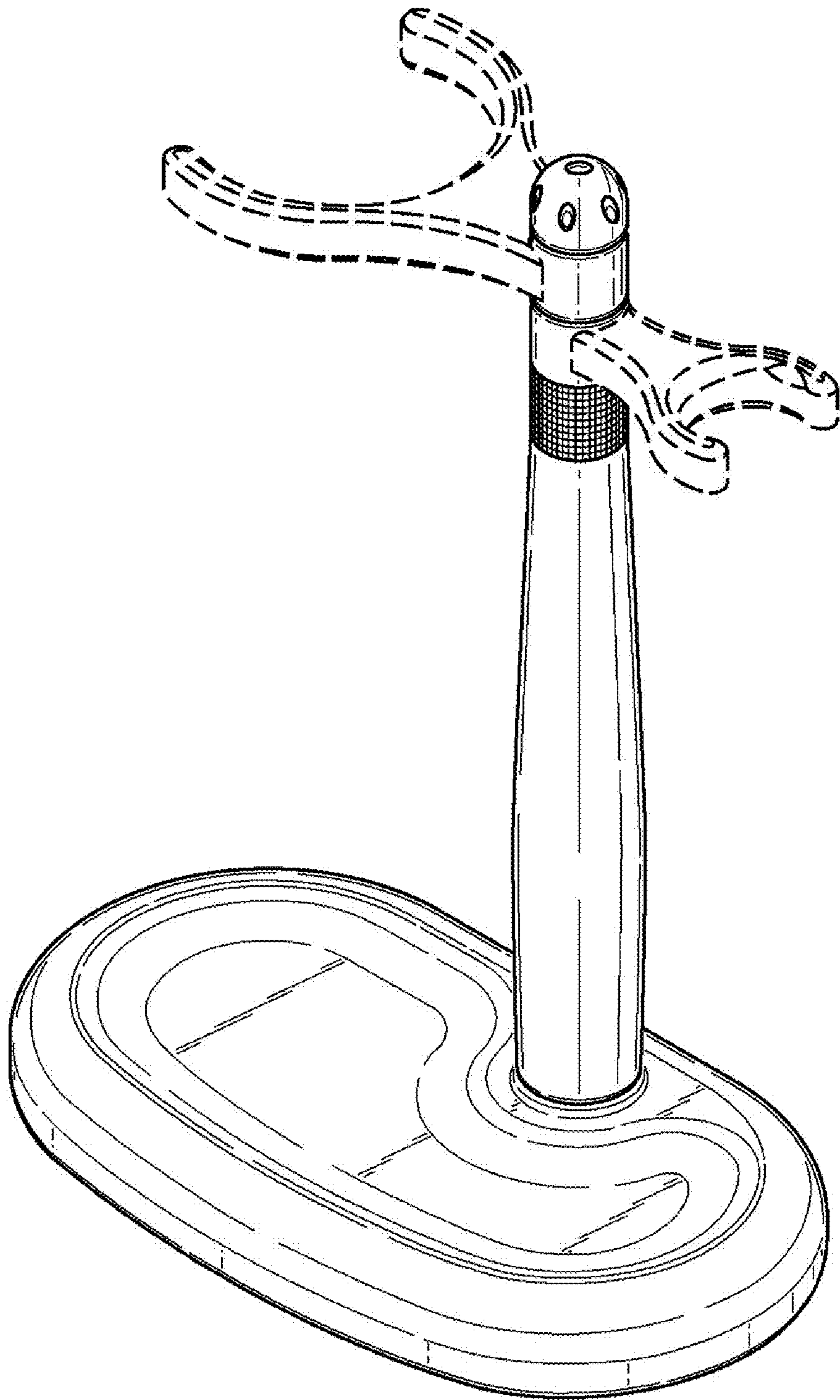


Fig. 1.

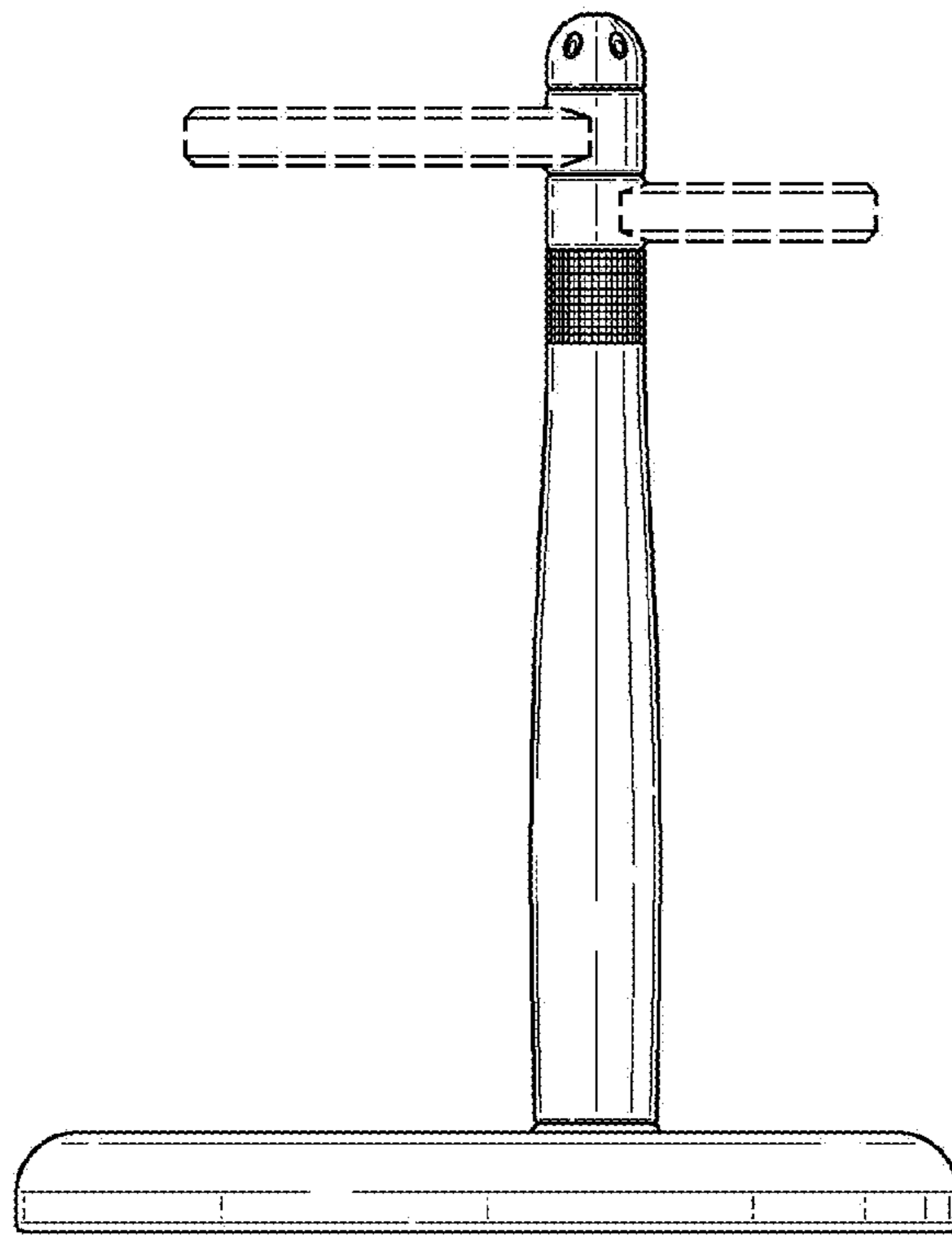


Fig.2.

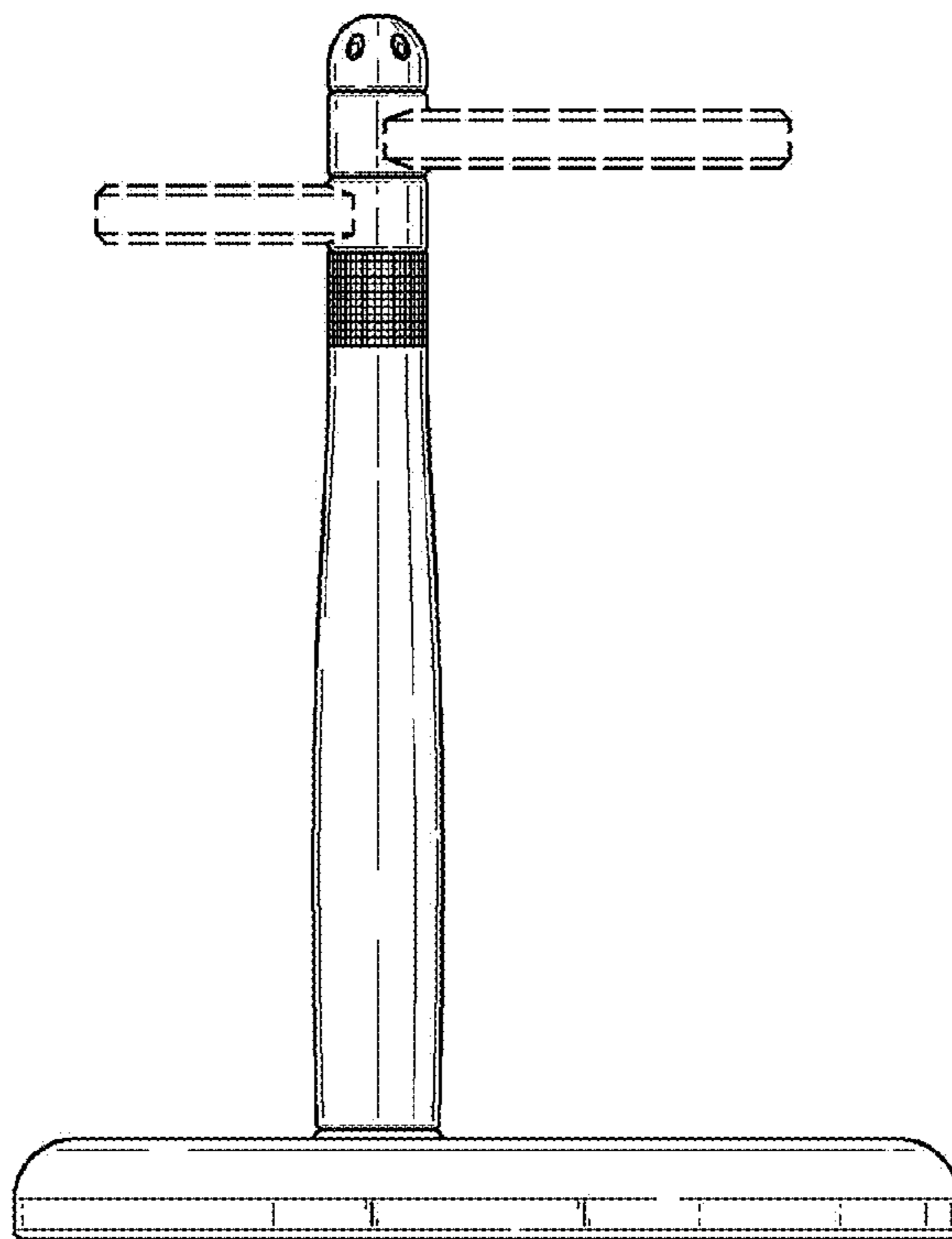


Fig.3.

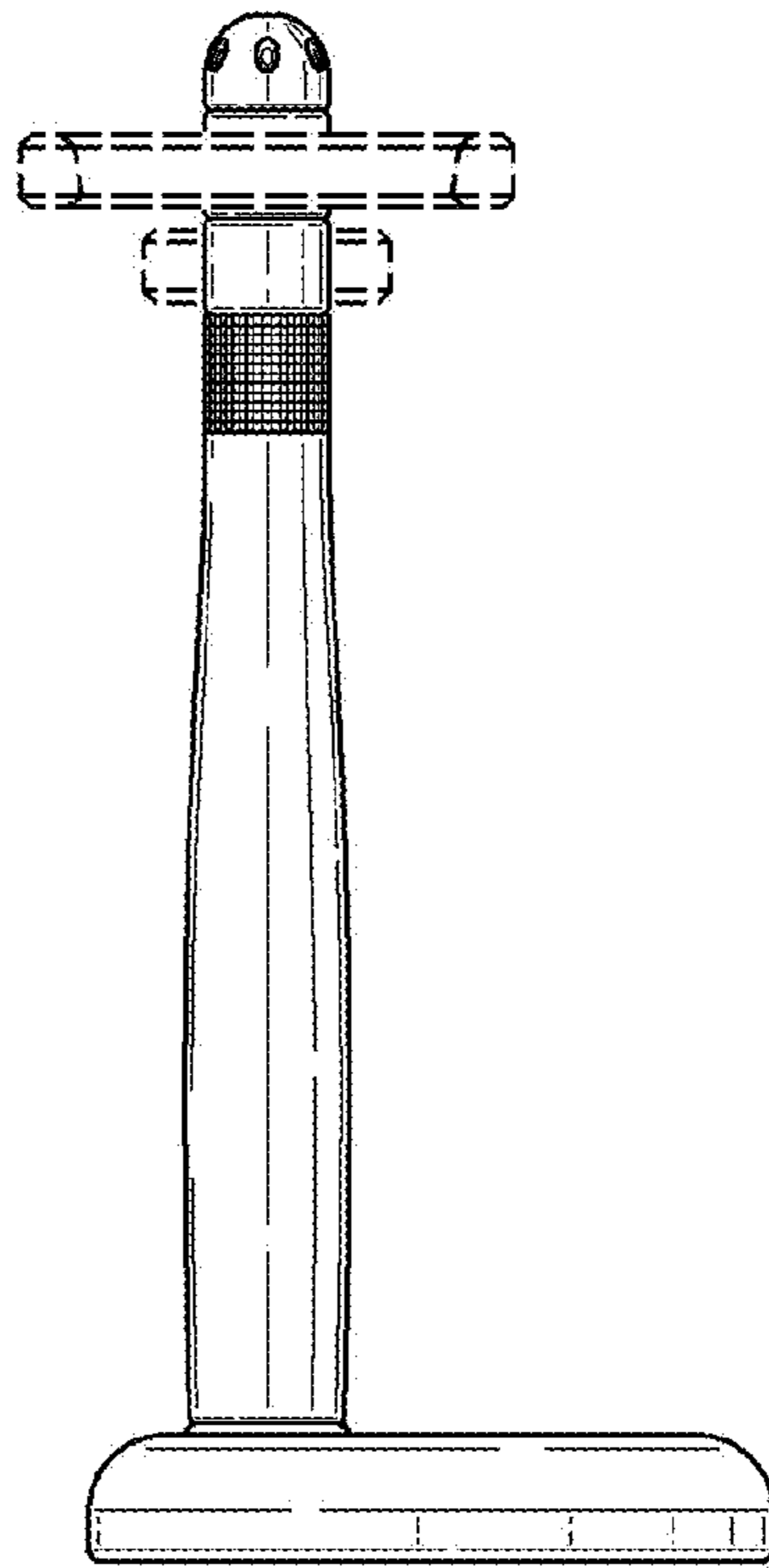


Fig.4.

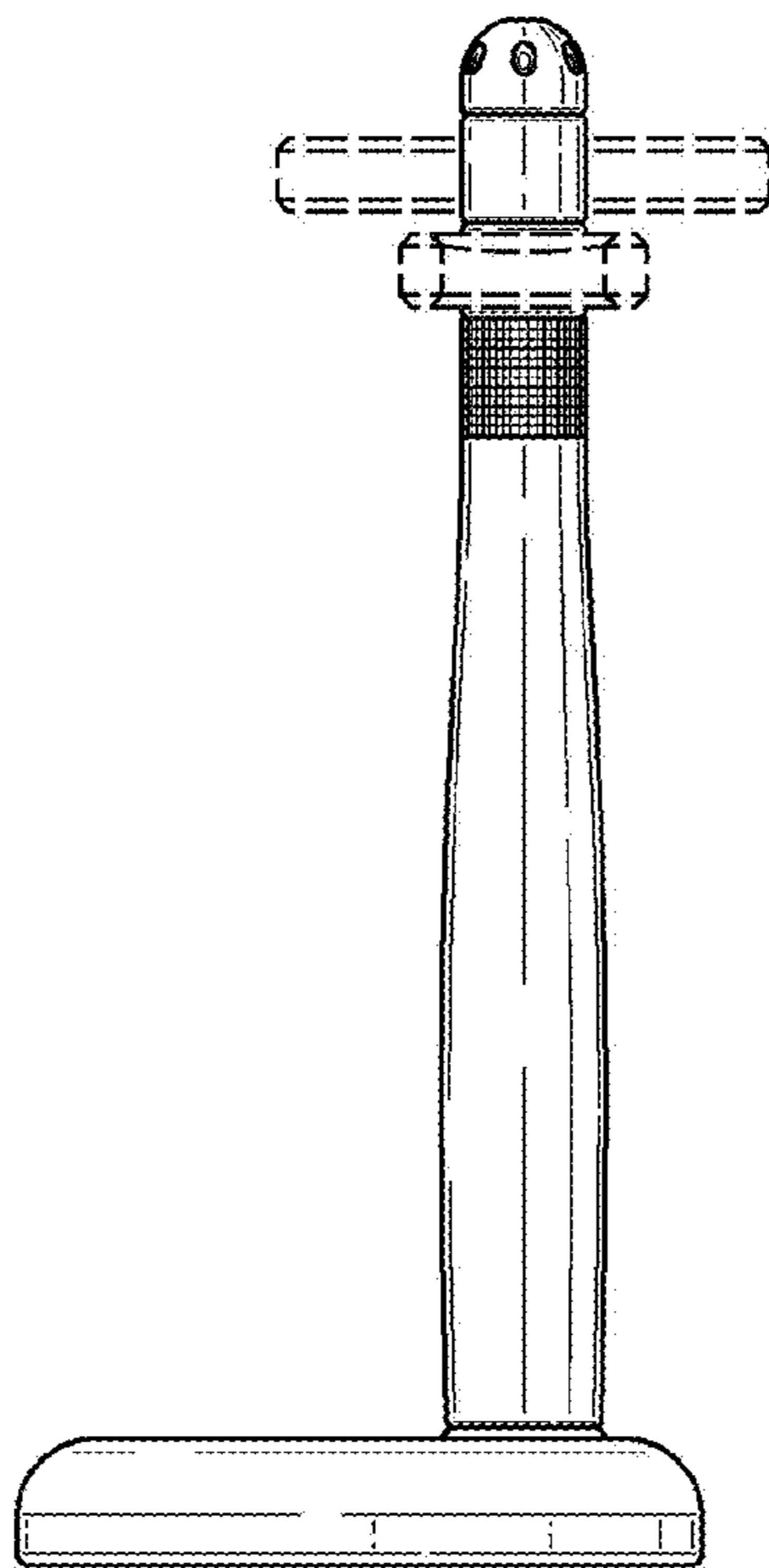


Fig.5.

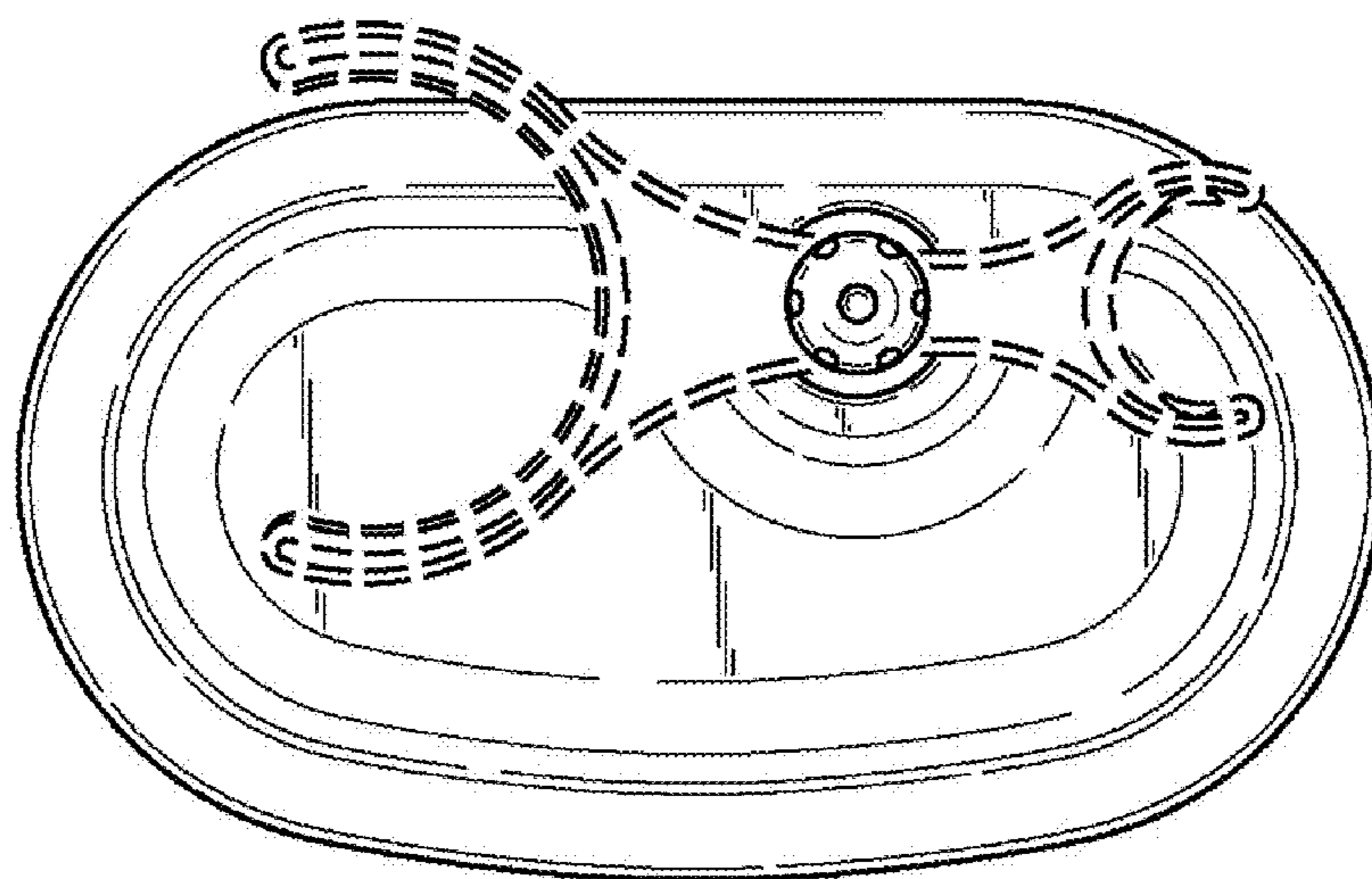


Fig. 6.

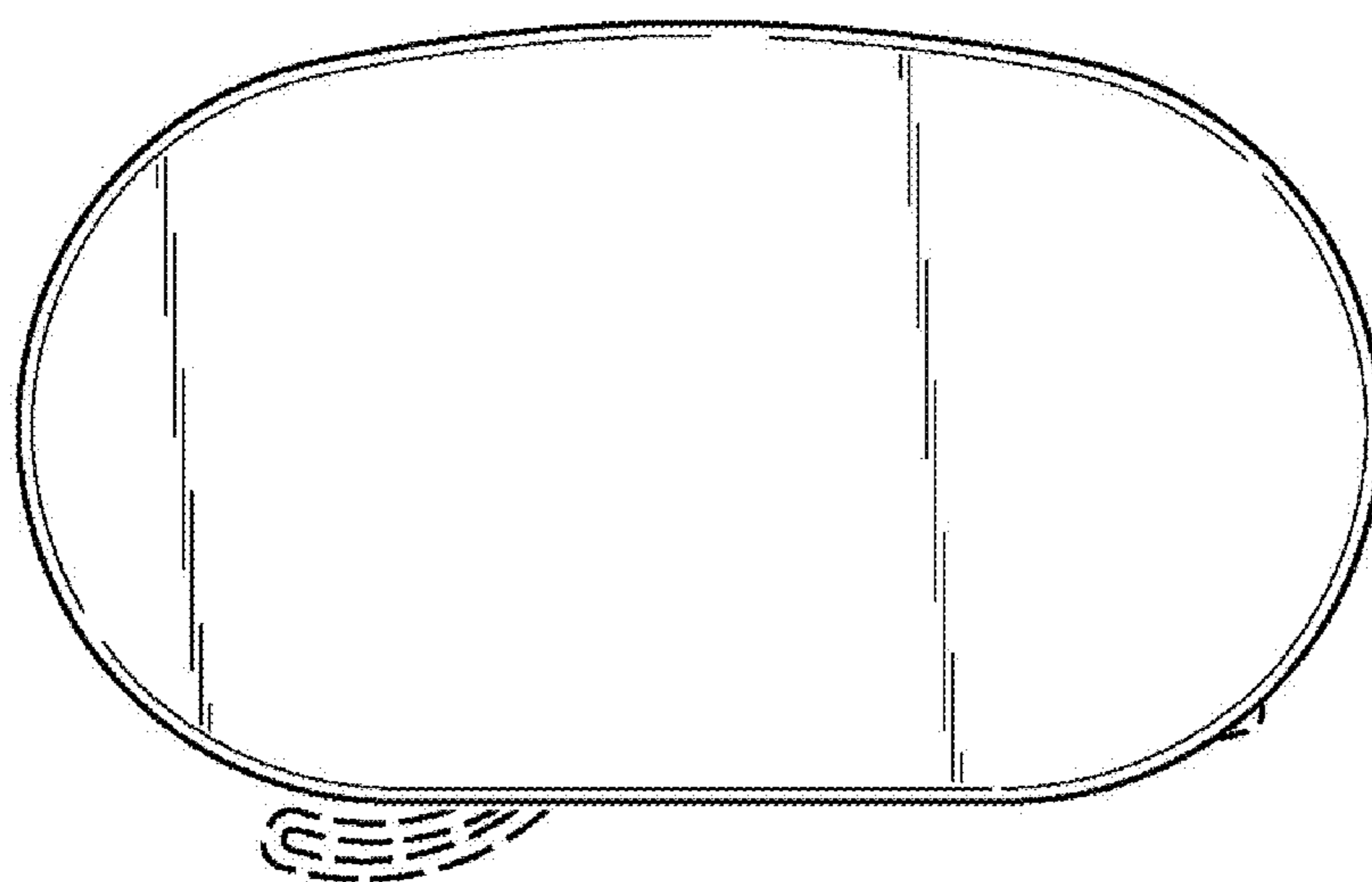


Fig. 7.