



US00D634951S

(12) **United States Design Patent**  
**Dreiling**

(10) **Patent No.:** **US D634,951 S**  
(45) **Date of Patent:** **\*\* Mar. 29, 2011**

- (54) **STADIUM SEAT**
- (75) Inventor: **David L. Dreiling**, Manhattan, KS (US)
- (73) Assignee: **Cushion Seats, Inc.**, Manhattan, KS (US)
- (\*\*) Term: **14 Years**
- (21) Appl. No.: **29/356,772**
- (22) Filed: **Mar. 2, 2010**

**Related U.S. Application Data**

- (60) Continuation of application No. 29/315,356, filed on Mar. 6, 2006, now Pat. No. Des. 610,821, which is a division of application No. 10/795,143, filed on Mar. 4, 2004.
- (51) **LOC (9) Cl.** ..... **06-01**
- (52) **U.S. Cl.** ..... **D6/502; D6/362**
- (58) **Field of Classification Search** ..... D6/334-336, D6/362, 364, 365, 368, 376, 379, 380, 500-502; 297/142, 250.1, 228.1, 228.11, 219.1, 219.12, 297/252, 352, 382, 452.2, 452.13  
See application file for complete search history.

2,152,014 A	3/1939	Ashe et al.
D121,266 S	7/1940	Archer
2,276,308 A	3/1942	Hugh
2,287,611 A	6/1942	Harbison
2,306,673 A	12/1942	Tucker
2,475,962 A	7/1949	Horn
2,491,784 A	12/1949	Thompson
2,509,420 A	5/1950	Burch
2,545,840 A	3/1951	Browne
2,558,315 A	6/1951	Pavey
2,571,282 A	10/1951	Newton
2,725,925 A	12/1955	Sanderson
2,736,365 A	2/1956	Hines
2,792,875 A	5/1957	Pirrone
2,816,871 A	12/1957	Fish
2,865,433 A	12/1958	Warner
2,866,433 A	12/1958	Warner
2,954,125 A	9/1960	Husted
2,957,515 A	10/1960	Gibson
3,026,142 A	3/1962	Holloway
3,066,980 A	12/1962	Clute
3,153,526 A	10/1964	Pawsey
3,279,620 A	10/1966	Nesbitt
3,288,414 A	11/1966	Fortunato
3,393,888 A	7/1968	Henningsgard

(Continued)

Primary Examiner — Mimoso De

(74) *Attorney, Agent, or Firm* — McAndrews, Held & Malloy, Ltd.

(56) **References Cited**

**U.S. PATENT DOCUMENTS**

116,934 A	7/1871	Cutter	
635,105 A	7/1900	MacLeay	
0,653,105 A	7/1900	MacLeay	
816,545 A	3/1906	Field	
1,213,762 A	1/1917	Dunn	
1,293,778 A	2/1919	Holm	
1,515,564 A	11/1924	Field	
2,004,237 A	6/1935	Costello	
2,046,198 A	6/1936	Letts	
2,059,493 A	11/1936	Schoenhoff	
D112,167 S *	11/1938	Anderson	D6/362
2,137,312 A	11/1938	Thompson	

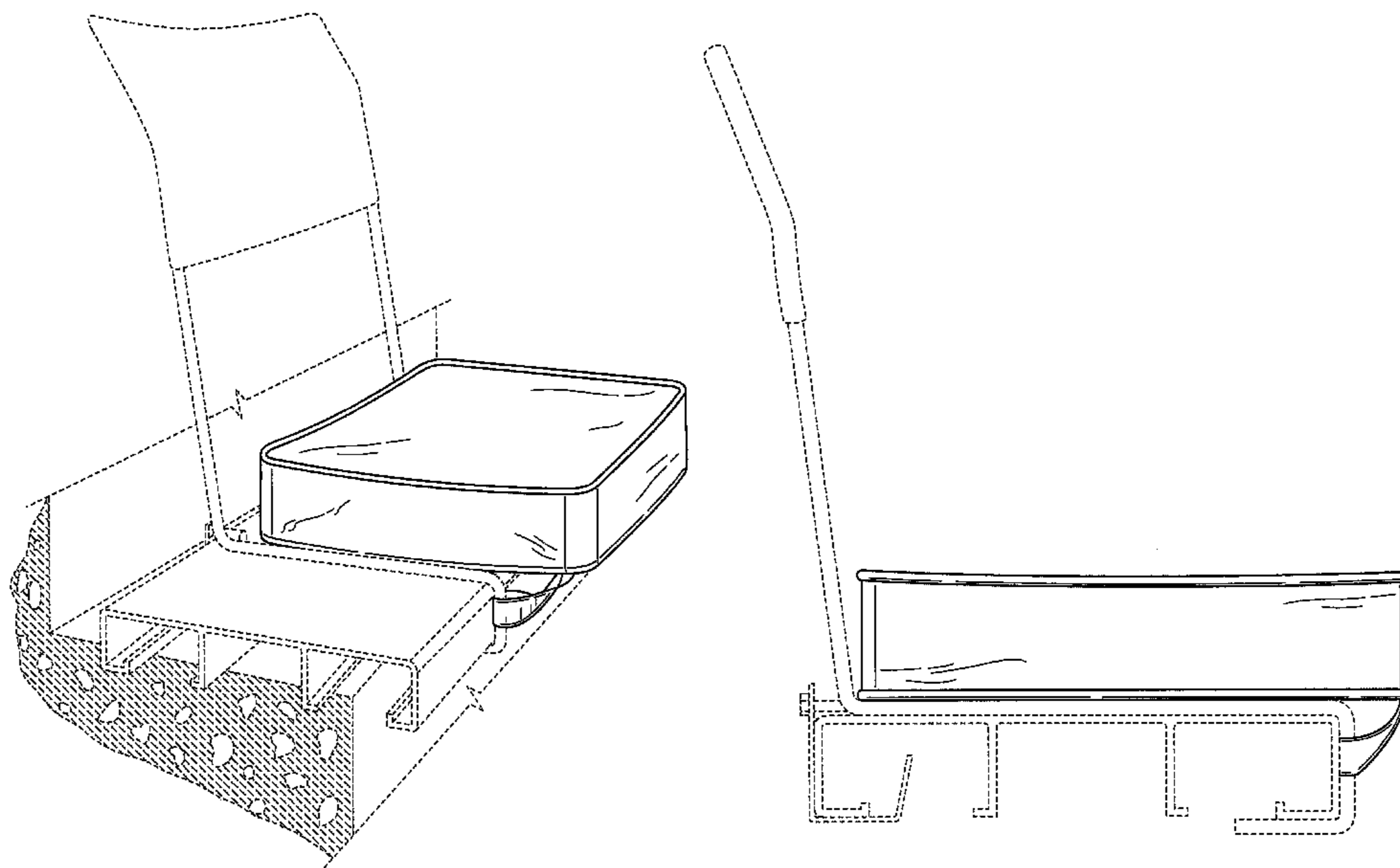
(57) **CLAIM**

The ornamental design for a stadium seat, as substantially shown and described.

**DESCRIPTION**

FIG. 1 is a top, front and left side perspective view of my new design for a stadium seat; and, FIG. 2 is a left side elevation view thereof. The broken lines in the drawings represent environmental subject matter and form no part of the claimed design.

**1 Claim, 2 Drawing Sheets**



# US D634,951 S

## U.S. PATENT DOCUMENTS

D216,158 S	11/1969	Williams		D413,733 S	9/1999	Edmonds
3,594,039 A	7/1971	Harp		D417,353 S	12/1999	Laga
3,672,624 A	6/1972	Keller		D423,269 S	4/2000	Laga
3,675,882 A	7/1972	Dibble		D427,824 S	7/2000	Osburn
3,695,569 A	10/1972	Pullan		D428,720 S	8/2000	Rutherford
3,797,790 A	3/1974	Iseki		6,209,837 B1	4/2001	Harms
3,900,110 A	8/1975	Soroka		D449,947 S	11/2001	Schoefer
3,920,276 A *	11/1975	Sparrow .....	297/142	6,352,306 B1	3/2002	Dreiling
3,994,529 A	11/1976	Lippert		D468,548 S	1/2003	Head, Jr.
4,036,369 A	7/1977	Eisenberg		6,502,902 B1	1/2003	Romero
4,094,415 A	6/1978	Larson		D474,934 S	5/2003	Ildstad
4,269,381 A	5/1981	Harms		6,581,789 B1	6/2003	Spanski et al.
4,367,819 A	1/1983	Lewis		6,588,840 B1	7/2003	Lombardo
4,469,031 A	9/1984	Haycock		6,592,187 B2	7/2003	Calvery
D281,936 S *	12/1985	Kennedy .....	D6/380	6,739,667 B1	5/2004	Jones
D282,028 S *	1/1986	Kennedy .....	D6/380	6,823,999 B2	11/2004	Heneveld
4,611,852 A	9/1986	Filer		6,926,360 B2	8/2005	Jones
4,688,683 A	8/1987	Thalenfeld et al.		D516,346 S	3/2006	Cobb
D293,282 S	12/1987	Ashford		7,104,605 B2	9/2006	Jones
4,809,941 A	3/1989	Sheridan		D539,554 S *	4/2007	Palasini .....
4,898,355 A	2/1990	Steinway		D553,884 S	10/2007	Faber
5,029,350 A	7/1991	Edelson		D555,947 S	11/2007	Vestweber
5,042,875 A	8/1991	Biggs, Sr.		7,316,452 B2	1/2008	Vestweber
5,044,505 A	9/1991	Spratt		7,374,246 B2	5/2008	Jones
D328,506 S	8/1992	McMahon		D577,932 S	10/2008	Vestweber
D337,938 S	8/1993	Shaw		D580,688 S	11/2008	Vestweber
D344,868 S	3/1994	Martinell		D584,081 S	1/2009	Vestweber
5,388,709 A	2/1995	Adams		7,488,037 B2	2/2009	Vestweber
D357,609 S	4/1995	Webb		7,575,275 B2	8/2009	Jones
D360,308 S	7/1995	Smith		7,597,399 B1	10/2009	Schneller
D363,951 S	11/1995	Chatman		D610,821 S *	3/2010	Dreiling .....
D369,929 S	5/1996	Perry		2004/0212233 A1	10/2004	Jones
5,516,193 A	5/1996	Simpson		2005/0127731 A1	6/2005	Jones
5,533,219 A	7/1996	Meyers		2006/0250010 A1	11/2006	Jones
5,580,130 A	12/1996	Williams et al.		2007/0018491 A1	1/2007	Jones
D391,086 S *	2/1998	Catchings et al. ....	D6/356	2008/0093902 A1	4/2008	Jones
5,842,581 A	12/1998	Graefe		2009/0174240 A1	7/2009	Vestweber
D411,065 S *	6/1999	Davis .....	D6/362	2009/0212614 A1	8/2009	Isaac

\* cited by examiner

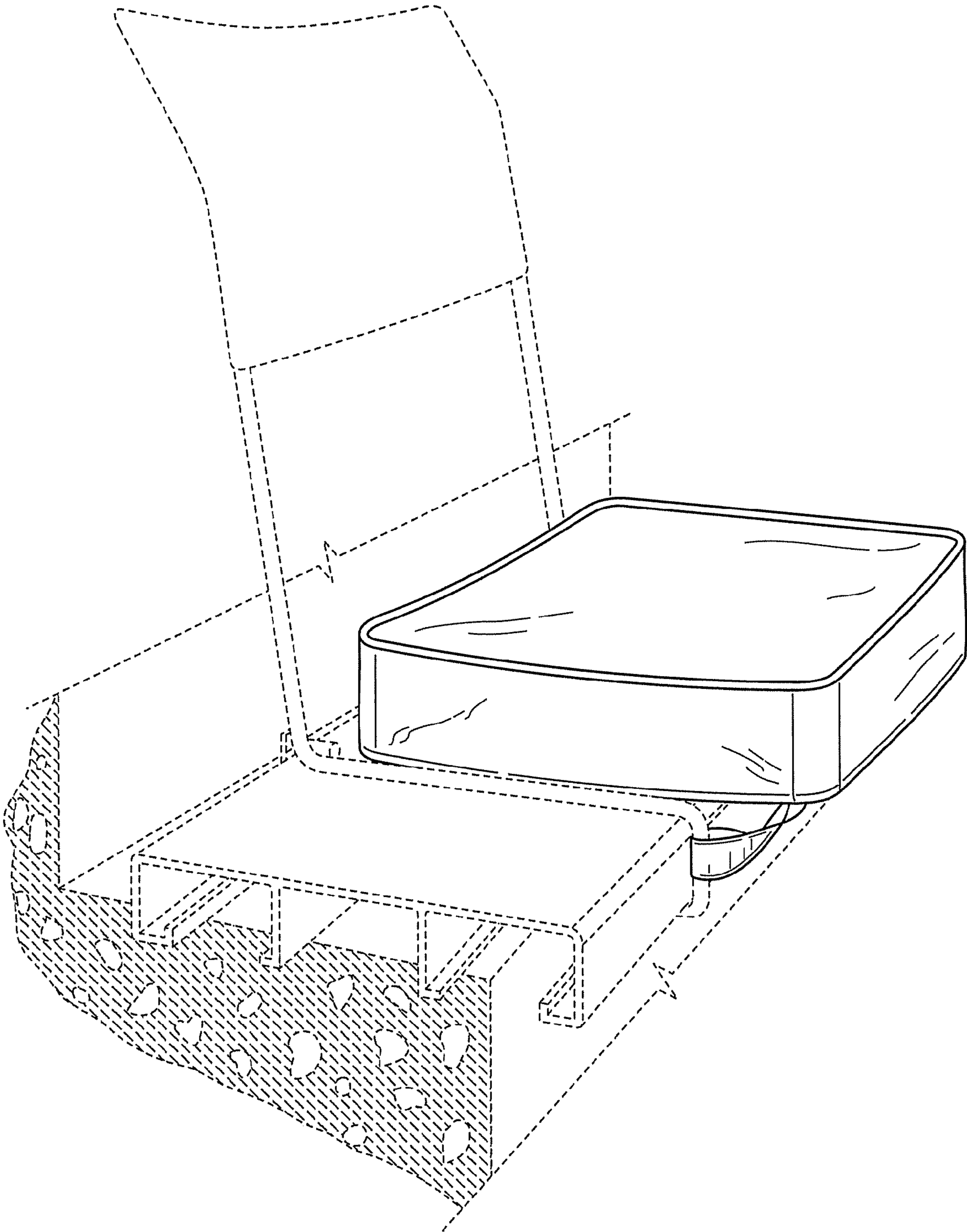


FIG. 1



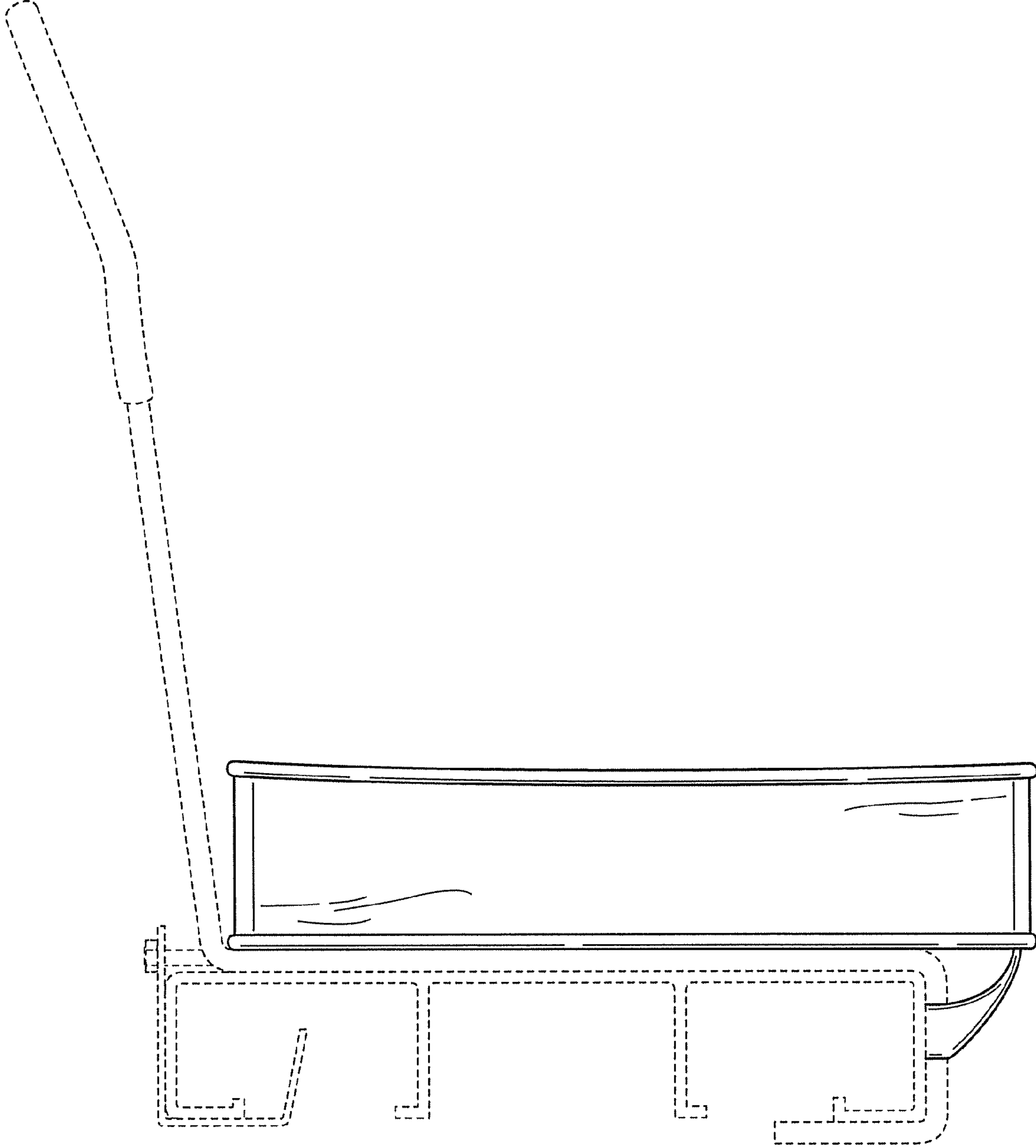


FIG. 2