



US00D634950S

(12) **United States Design Patent**  
**Wahl et al.**

(10) **Patent No.:** **US D634,950 S**  
(45) **Date of Patent:** **\*\* Mar. 29, 2011**

- (54) **FURNITURE BASE DESIGN**
- (75) Inventors: **Paul J. Wahl**, Ferdinand, IN (US);  
**Sherry A. Foster**, Jasper, IN (US);  
**Cynthia A. Wehr**, Jasper, IN (US);  
**Deaderia W. Morris**, Frederick, MD  
(US)
- (73) Assignee: **Kimball International, Inc.**, Jasper, IN  
(US)
- (\*\*) Term: **14 Years**
- (21) Appl. No.: **29/377,651**
- (22) Filed: **Oct. 25, 2010**

**Related U.S. Application Data**

- (62) Division of application No. 29/356,333, filed on Feb. 24, 2010, now Pat. No. Des. 627,994.
- (51) **LOC (9) Cl.** ..... **06-04**
- (52) **U.S. Cl.** ..... **D6/495**
- (58) **Field of Classification Search** ..... D6/432,  
D6/448, 492, 495, 509; 312/114, 194, 204,  
312/224, 278-279, 348.4  
See application file for complete search history.

(56) **References Cited**

**U.S. PATENT DOCUMENTS**

D96,148 S	7/1935	Walker	
D144,872 S	5/1946	Rhodes	
D175,195 S	7/1955	Streng	
D214,741 S	7/1969	Dean	
D233,873 S	12/1974	Mills	
D241,395 S	9/1976	Perl et al.	
D258,032 S *	1/1981	Tebbe et al. ....	D6/445
D270,127 S	8/1983	Aulbert et al.	
D272,495 S	2/1984	Kemp et al.	
D285,505 S	9/1986	Billiet	
D318,768 S	8/1991	Westland et al.	
D334,305 S	3/1993	Wheless et al.	
D334,478 S	4/1993	Rogers	

D341,732 S	11/1993	Ferguson	
D343,073 S	1/1994	Black	
D368,392 S *	4/1996	Brunner et al. ....	D6/436
D370,365 S	6/1996	Brunner et al.	
D371,017 S	6/1996	Walters, III et al.	
D401,443 S	11/1998	Zaidman	
D407,245 S	3/1999	Lewis	
D420,230 S	2/2000	Wanek et al.	
D440,071 S	4/2001	Hutton	
D440,074 S *	4/2001	Hutton .....	D6/446
D441,982 S *	5/2001	Hutton .....	D6/436
D444,002 S *	6/2001	Hutton .....	D6/436
D451,700 S	12/2001	Vaaler	
D463,162 S	9/2002	Kelley et al.	
D465,351 S	11/2002	Tobin, Jr.	
D471,387 S	3/2003	Lenger	
D473,070 S	4/2003	Kelley et al.	
D485,451 S	1/2004	De Blois	
D488,640 S	4/2004	Domack	
D491,392 S	6/2004	Risdon et al.	
D492,518 S	7/2004	Lenger	
D498,370 S	11/2004	Paus	

(Continued)

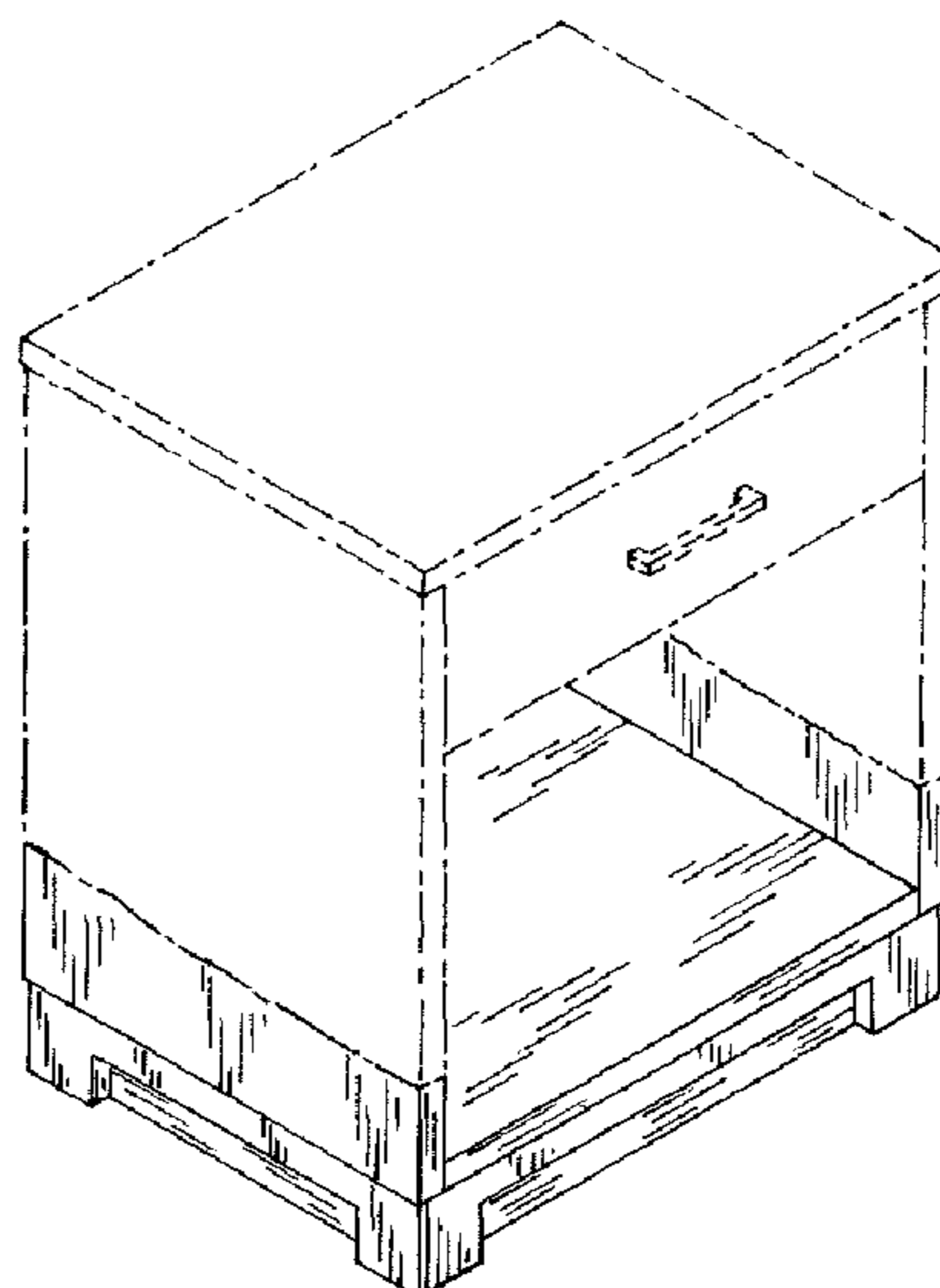
*Primary Examiner* — Elizabeth A Albert  
*Assistant Examiner* — Kelley A Donnelly  
(74) *Attorney, Agent, or Firm* — Baker & Daniels LLP

(57) **CLAIM**  
The ornamental design for a furniture base design, as shown and described.

**DESCRIPTION**

FIG. 1 is a front perspective view of a furniture base design; FIG. 2 is a front view thereof; FIG. 3 is a left side view thereof; and, FIG. 4 is a right side view thereof. The broken lines are for the purpose of illustrating the environment of the article only and form no part of the claimed design. In each of the first, second, and third embodiments, the rear and bottom of the furniture base are plain and unornamented.

**1 Claim, 2 Drawing Sheets**



# US D634,950 S

Page 2

## U.S. PATENT DOCUMENTS

D499,901 S	12/2004	O'Hare	
D503,297 S	3/2005	Mohundro	
D503,565 S *	4/2005	Mohundro .....	D6/446
D504,251 S *	4/2005	Kreiss .....	D6/446
D505,570 S	5/2005	Mohundro	
D525,049 S	7/2006	Mohundro	
D526,143 S *	8/2006	Bruce .....	D6/446
D529,309 S	10/2006	Juneau et al.	
D533,373 S	12/2006	Juneau	
D534,371 S	1/2007	Domack et al.	
D534,379 S	1/2007	Juneau	
D540,570 S	4/2007	Bibi	
D543,724 S *	6/2007	Baade .....	D6/446
D546,589 S	7/2007	Kreiss	
D554,897 S	11/2007	Mayer et al.	
D555,394 S	11/2007	Sexton	
D559,586 S	1/2008	Domack et al.	
D564,804 S	3/2008	Thompson	
D567,538 S	4/2008	Everson et al.	
D569,127 S *	5/2008	Kanthasamy .....	D6/436
D572,039 S *	7/2008	Kreiss .....	D6/436
D575,964 S	9/2008	Liu	
D579,233 S *	10/2008	LeTourneau .....	D6/446
D587,931 S *	3/2009	Domack et al. ....	D6/445
D595,975 S *	7/2009	Thompson .....	D6/446
D599,578 S	9/2009	Domack et al.	
D609,028 S *	2/2010	LeTourneau .....	D6/432
D609,966 S	2/2010	Bengston et al.	
D620,727 S *	8/2010	LeTourneau .....	D6/432

\* cited by examiner

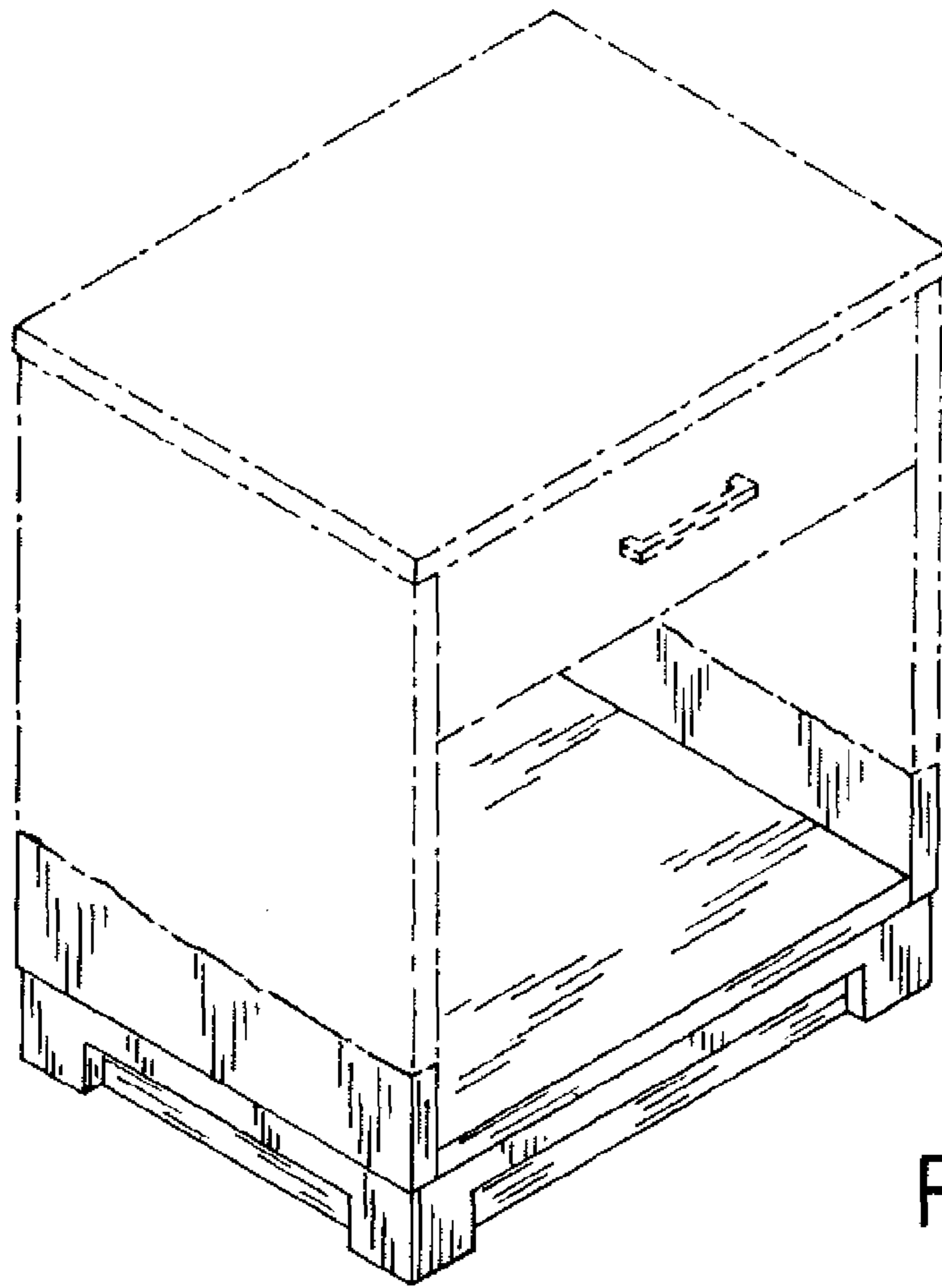


FIG. 1

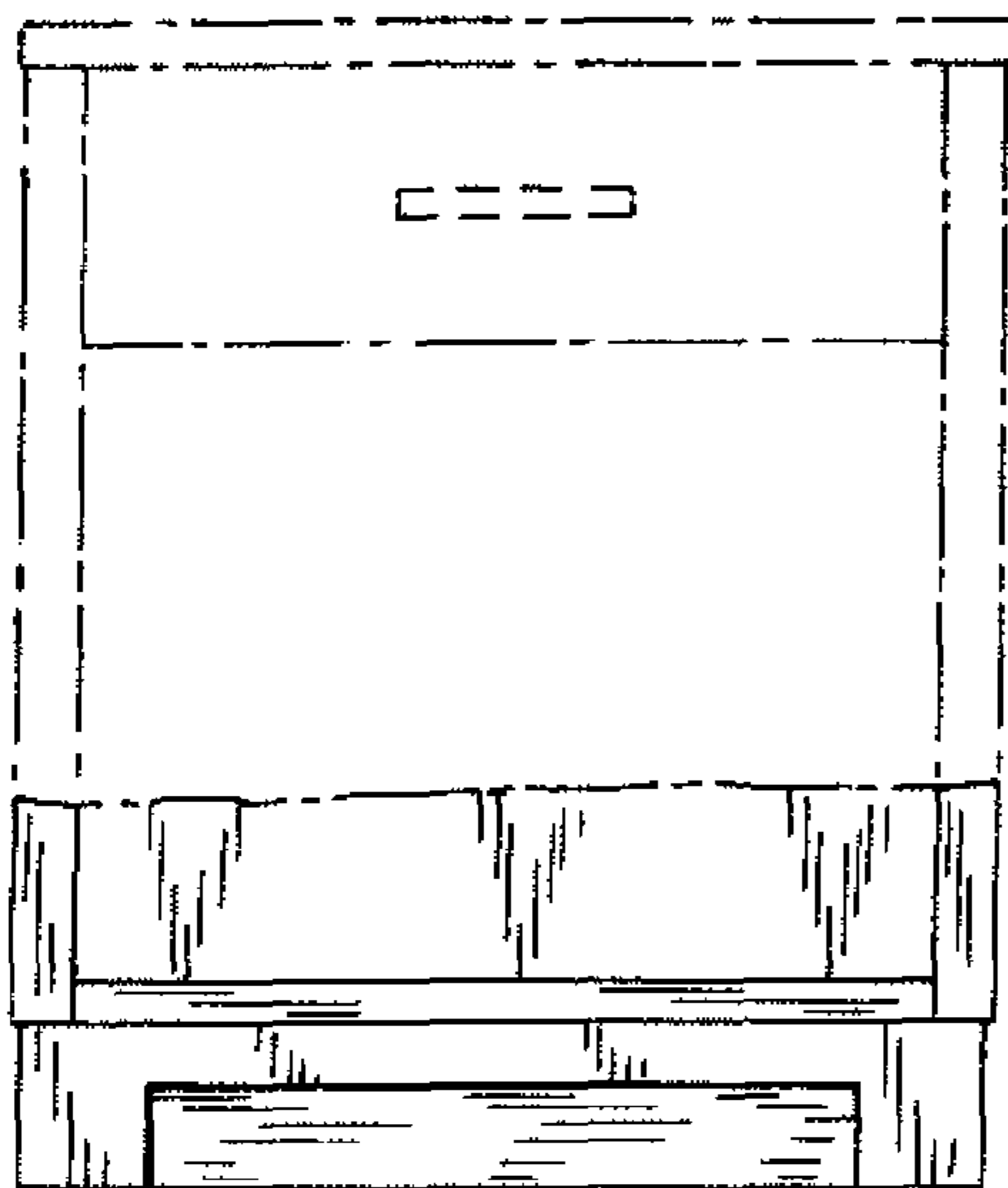


FIG. 2

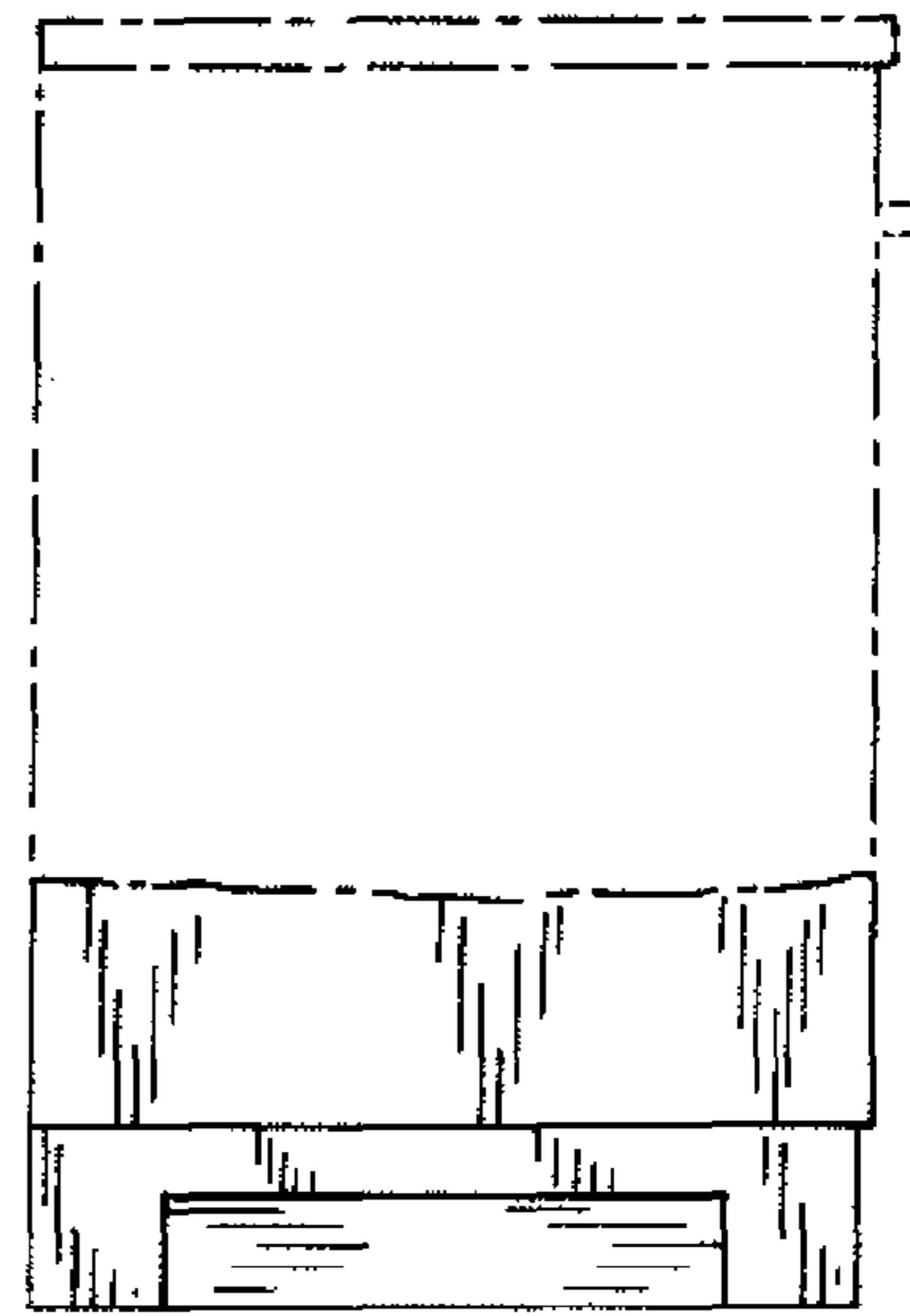


FIG. 3

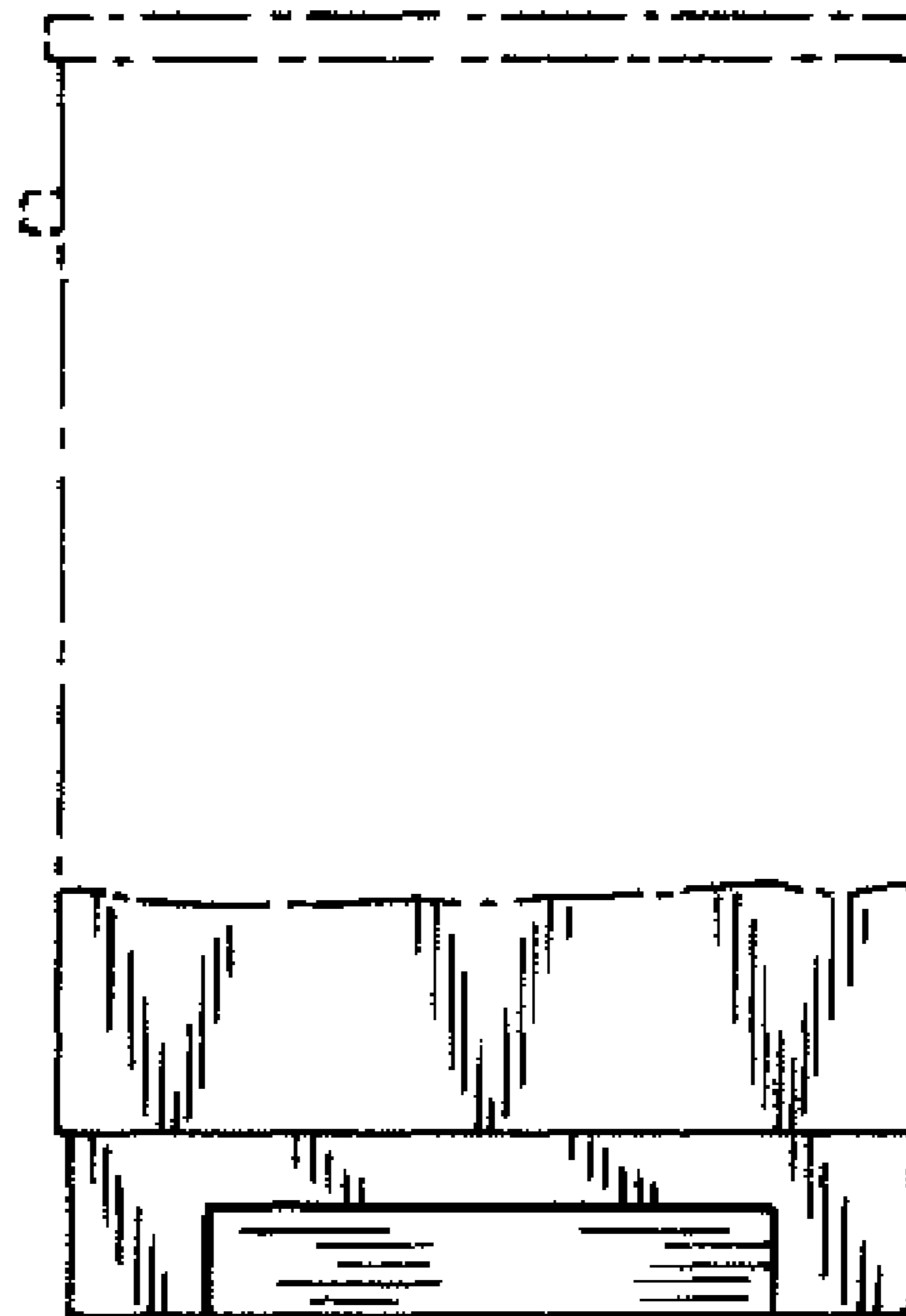


FIG. 4