



US00D634949S

(12) **United States Design Patent**
Babick

(10) **Patent No.:** **US D634,949 S**

(45) **Date of Patent:** **** Mar. 29, 2011**

(54) **SUPPORT LEG**

(75) Inventor: **Tod Babick**, Grand Rapids, MI (US)

(73) Assignee: **DSA International, Inc.**, Zeeland, MI (US)

(**) Term: **14 Years**

(21) Appl. No.: **29/366,256**

(22) Filed: **Jul. 22, 2010**

Related U.S. Application Data

(62) Division of application No. 29/338,488, filed on Jun. 12, 2009, now Pat. No. Des. 622,984.

(51) **LOC (9) Cl.** **06-06**

(52) **U.S. Cl.** **D6/495**

(58) **Field of Classification Search** D6/480-489,
D6/429-431, 495-499; 108/150, 152, 153.1,
108/157.1, 161; 248/188, 188.1, 188.7, 188.8
See application file for complete search history.

(56) **References Cited**

U.S. PATENT DOCUMENTS

D90,848 S	1/1932	Karl	
D184,407 S	2/1959	McKinley	D15/8
D193,094 S	6/1962	Sullivan	D15/1
D194,458 S *	1/1963	Pearson	D6/366
3,078,063 A	2/1963	Frankl	248/188.7
D206,000 S	10/1966	Moore	D15/1
D233,812 S	12/1974	Platner	D6/196
D276,396 S	11/1984	Locher	D6/498
D278,012 S	3/1985	Doerner	D6/495
D304,399 S	11/1989	Caruso	D6/498
D312,011 S	11/1990	Caruso	D6/498
5,048,780 A	9/1991	Borsani	248/188.7
D327,782 S *	7/1992	Citterio	D6/366
D332,020 S *	12/1992	Hollington	D6/495
D333,933 S	3/1993	Feinbloom	D6/486
D363,843 S	11/1995	Larkin	D6/498
D367,573 S	3/1996	Larkin	D6/498
D369,928 S	5/1996	Larkin	D6/498
D393,764 S	4/1998	Hundertmark	D6/498
D399,683 S *	10/1998	Nicklas	D6/484

D407,583 S	4/1999	Perl	D6/498
D412,416 S	8/1999	Ritch	D6/498
D432,822 S	10/2000	Chen	D6/498
D444,325 S *	7/2001	DeJule	D6/495
D462,846 S *	9/2002	Gasca Burges	D6/366
D494,787 S	8/2004	Fu	D6/498

(Continued)

Primary Examiner — Janice E Seeger

(74) *Attorney, Agent, or Firm* — Dowell Baker, P.C.

(57) **CLAIM**

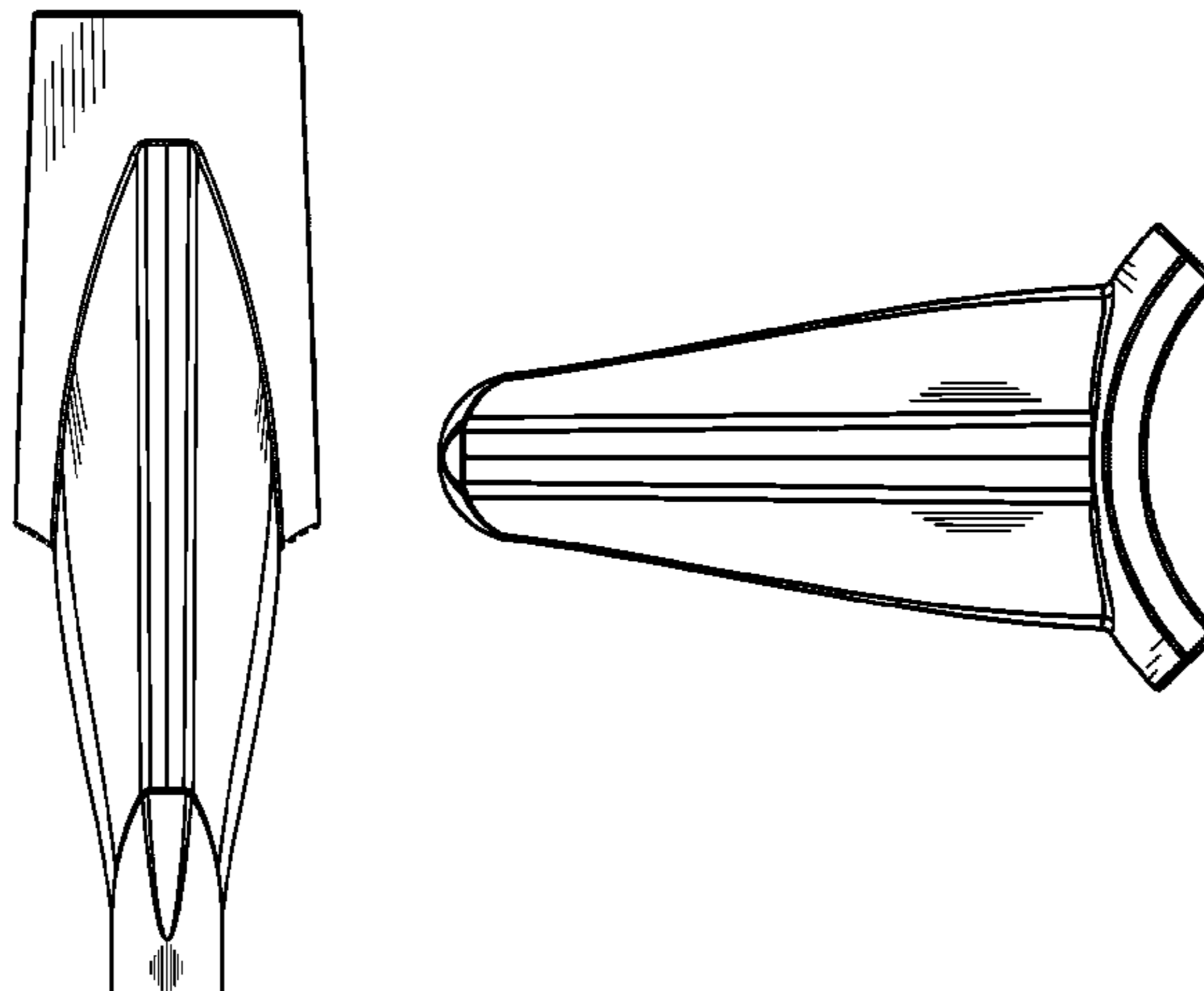
The ornamental design for a support leg, as shown and described.

DESCRIPTION

FIG. 1 is a front elevational view of a support leg, showing my new design;
 FIG. 2 is a top plan view thereof;
 FIG. 3 is a side elevational view thereof;
 FIG. 4 is a front elevational view of a support leg, showing a second embodiment of my new design;
 FIG. 5 is a top plan view thereof;
 FIG. 6 is a side elevational view thereof;
 FIG. 7 is a top plan view of a support leg, showing a third embodiment of my new design;
 FIG. 8 is a side elevational view thereof;
 FIG. 9 is a front elevational view thereof;
 FIG. 10 is a top plan view of a support leg, showing a fourth embodiment of my new design;
 FIG. 11 is a side elevational view thereof;
 FIG. 12 is a front elevational view thereof;
 FIG. 13 is a top plan view of a support leg, showing a fifth embodiment of my new design;
 FIG. 14 is a side elevational view thereof;
 FIG. 15 is a front elevational view thereof;
 FIG. 16 is a top plan view of a support leg, showing a sixth embodiment of my new design;
 FIG. 17 is a front elevational view thereof; and,
 FIG. 18 is a side elevational view thereof.

The broken lines shown in the figures are for illustrative purposes only and form no part of the claimed design.

1 Claim, 6 Drawing Sheets



US D634,949 S

Page 2

U.S. PATENT DOCUMENTS

D507,436 S	7/2005	Chao	D6/498	D560,406 S	1/2008	Privatt	D6/498
D508,806 S	8/2005	Egger	D6/498	D569,136 S	5/2008	Pearsons	D6/498
D557,526 S	12/2007	Littorin	D6/495	D569,663 S	5/2008	Pearsons	D6/498

* cited by examiner

FIG. 1

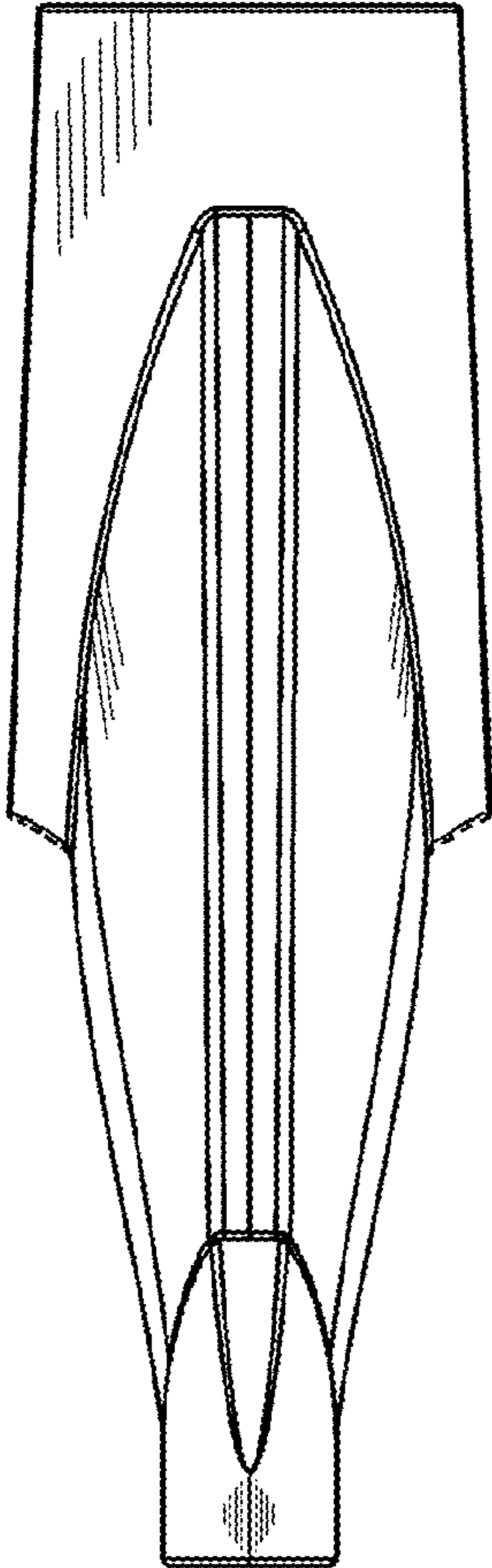


FIG. 3

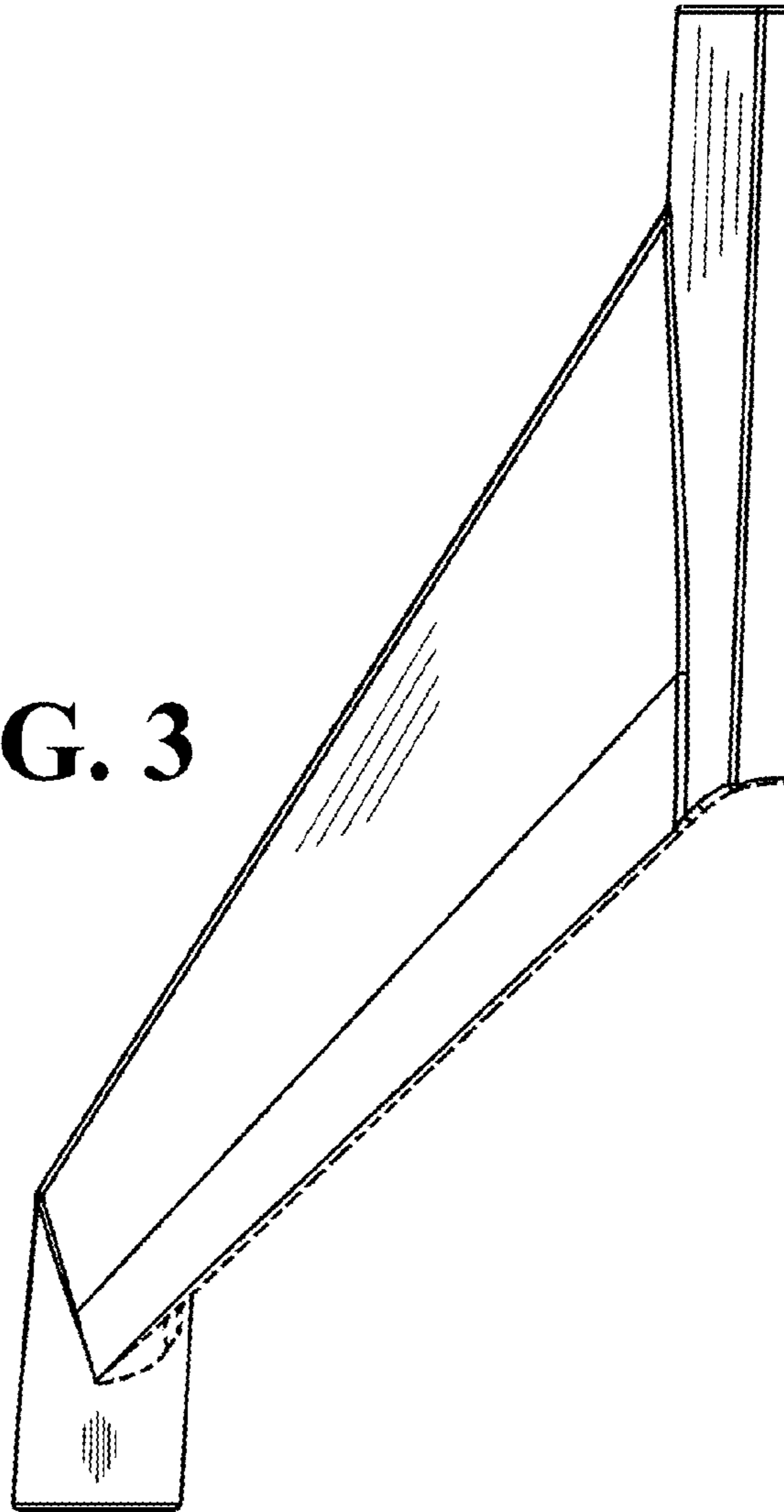


FIG. 2

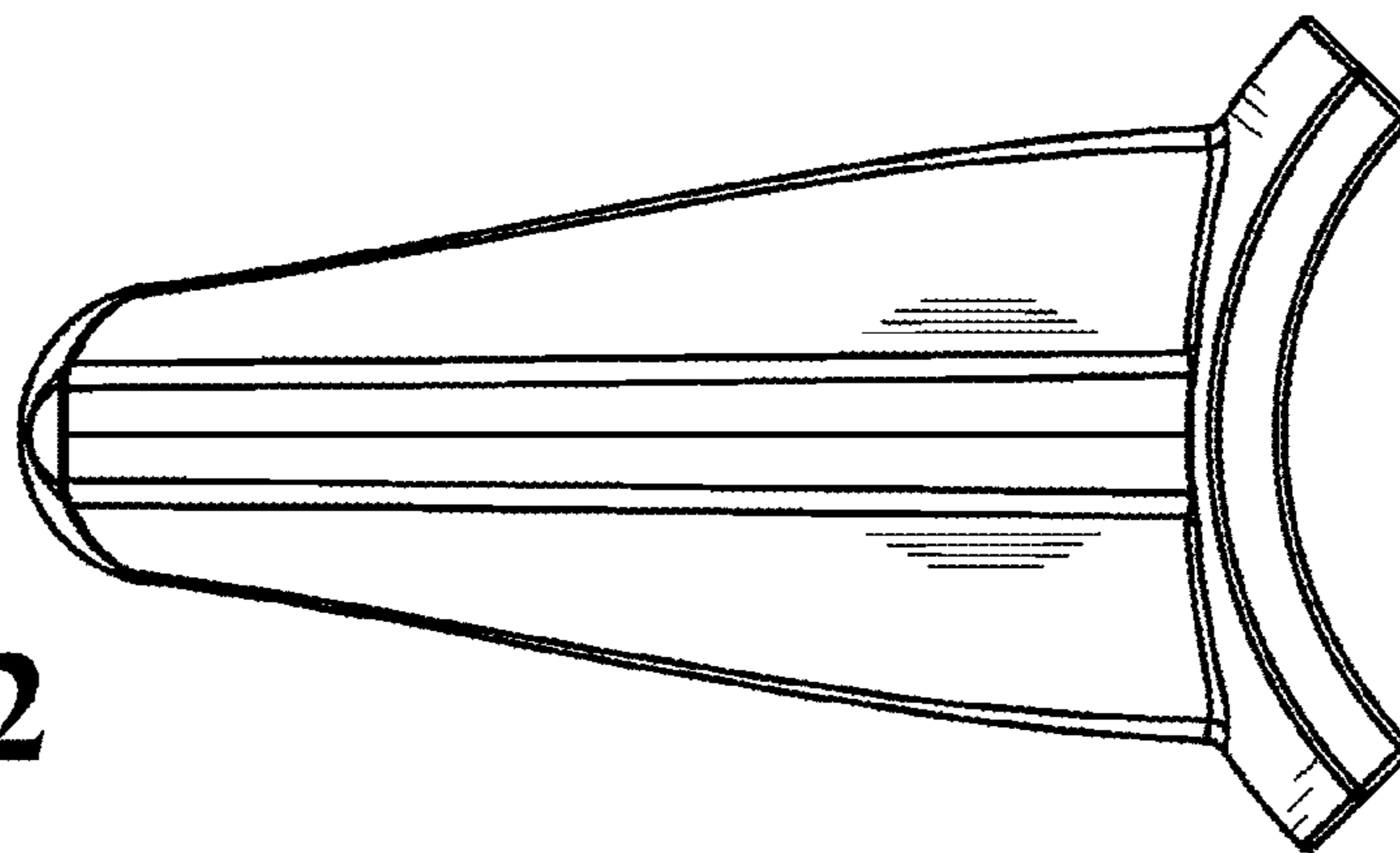


FIG. 5

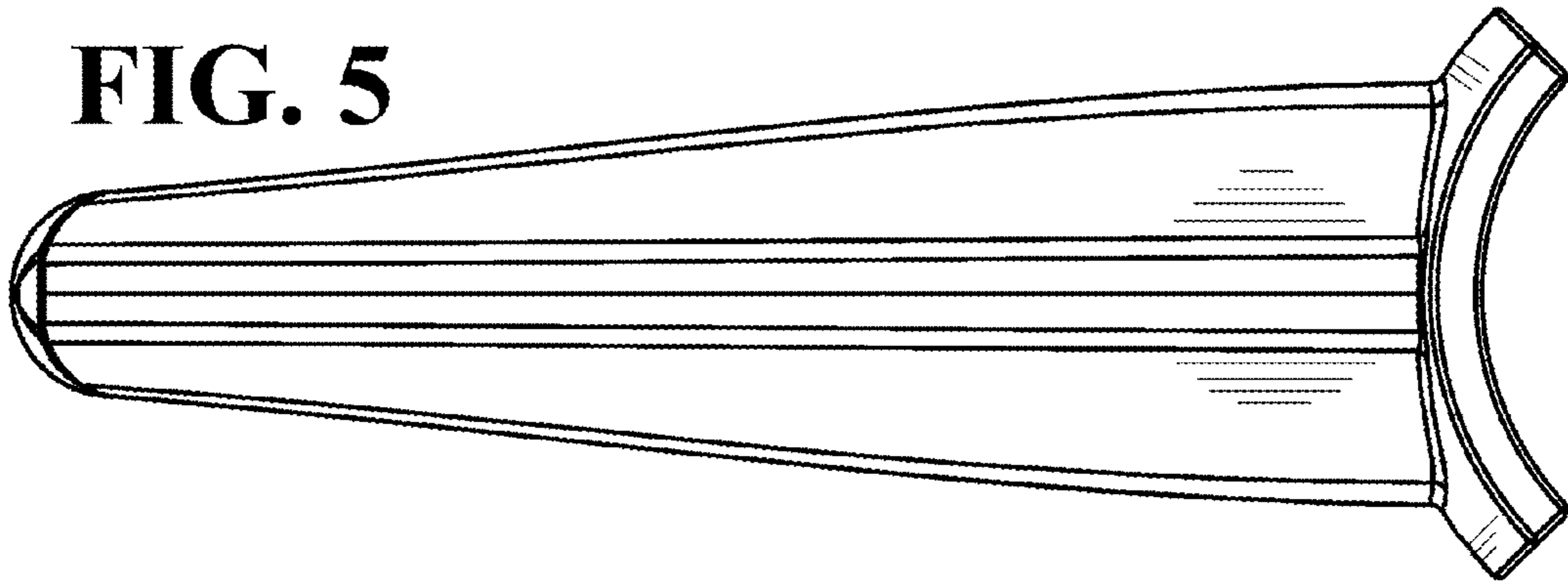


FIG. 4

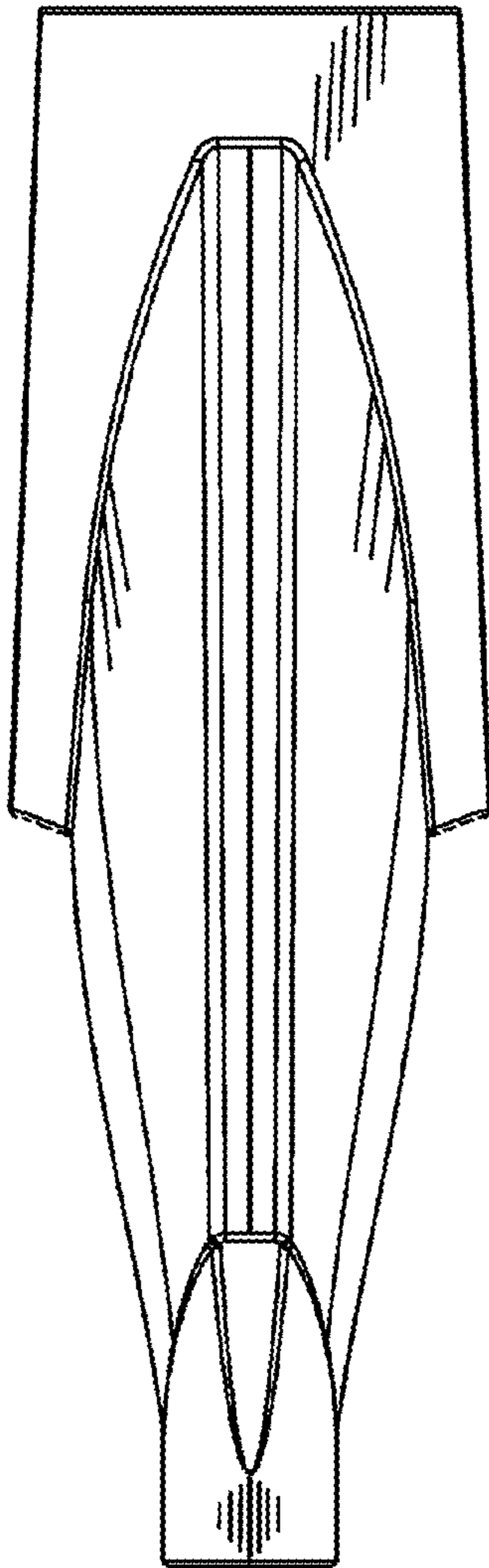
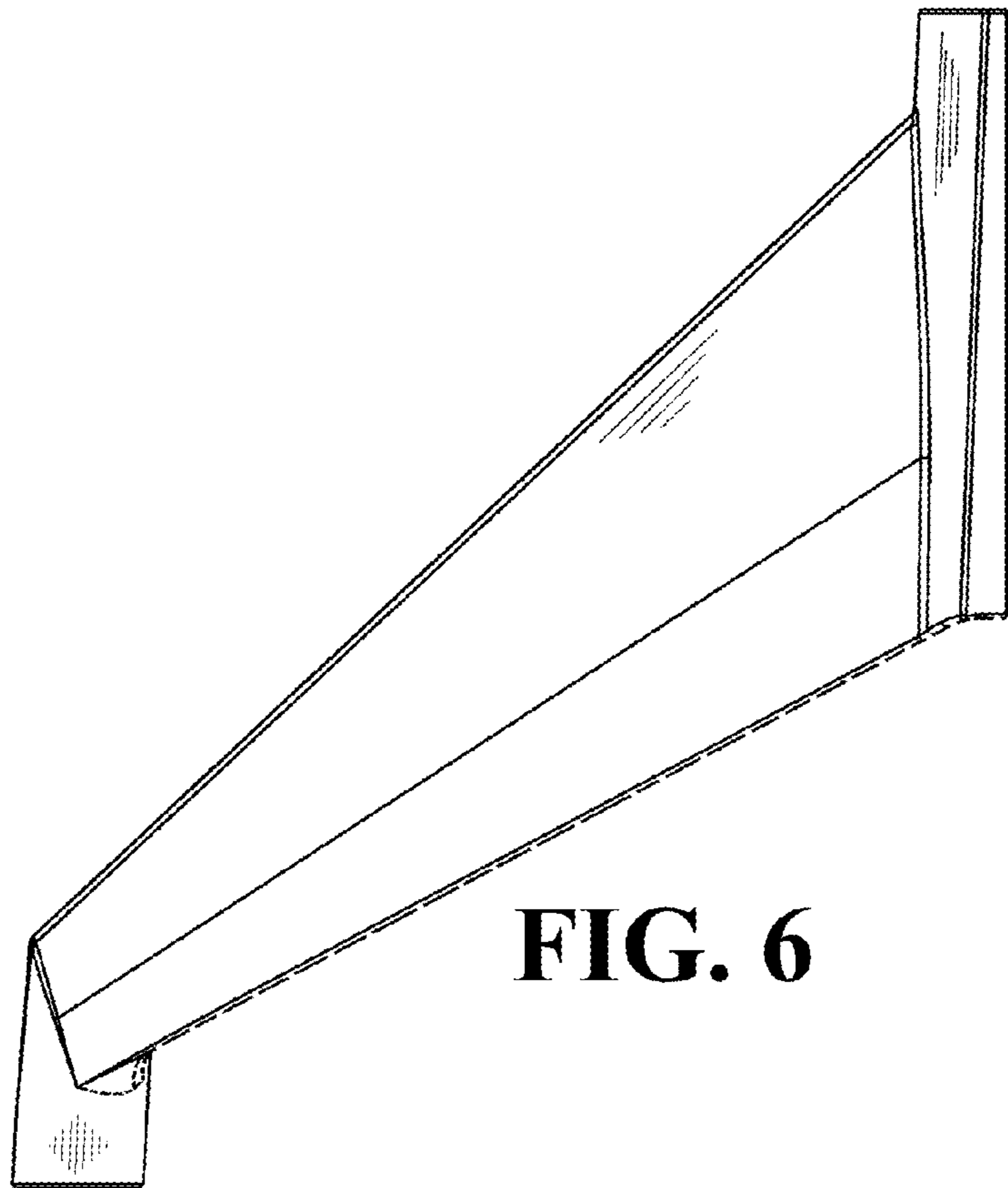


FIG. 6



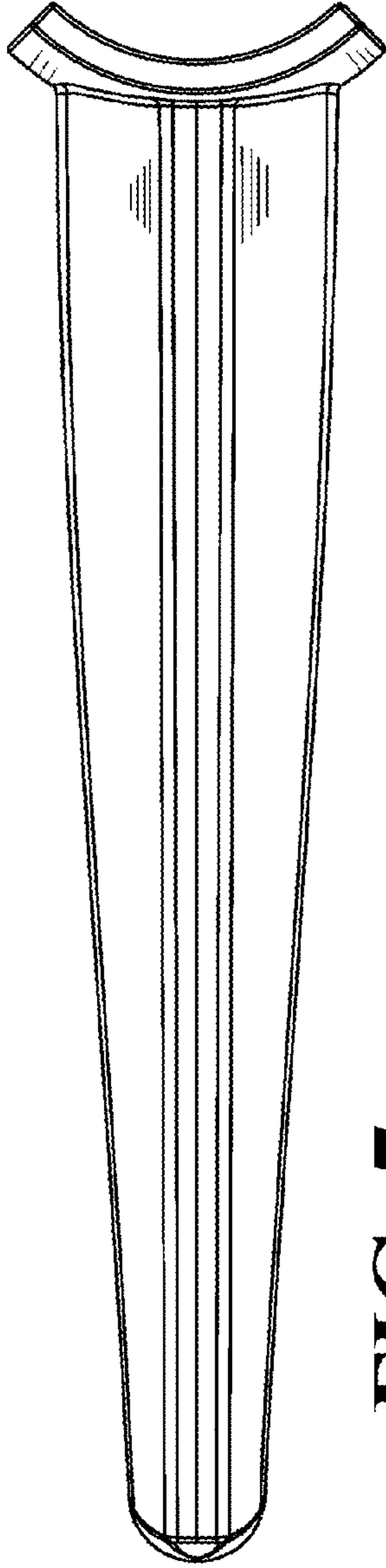


FIG. 7

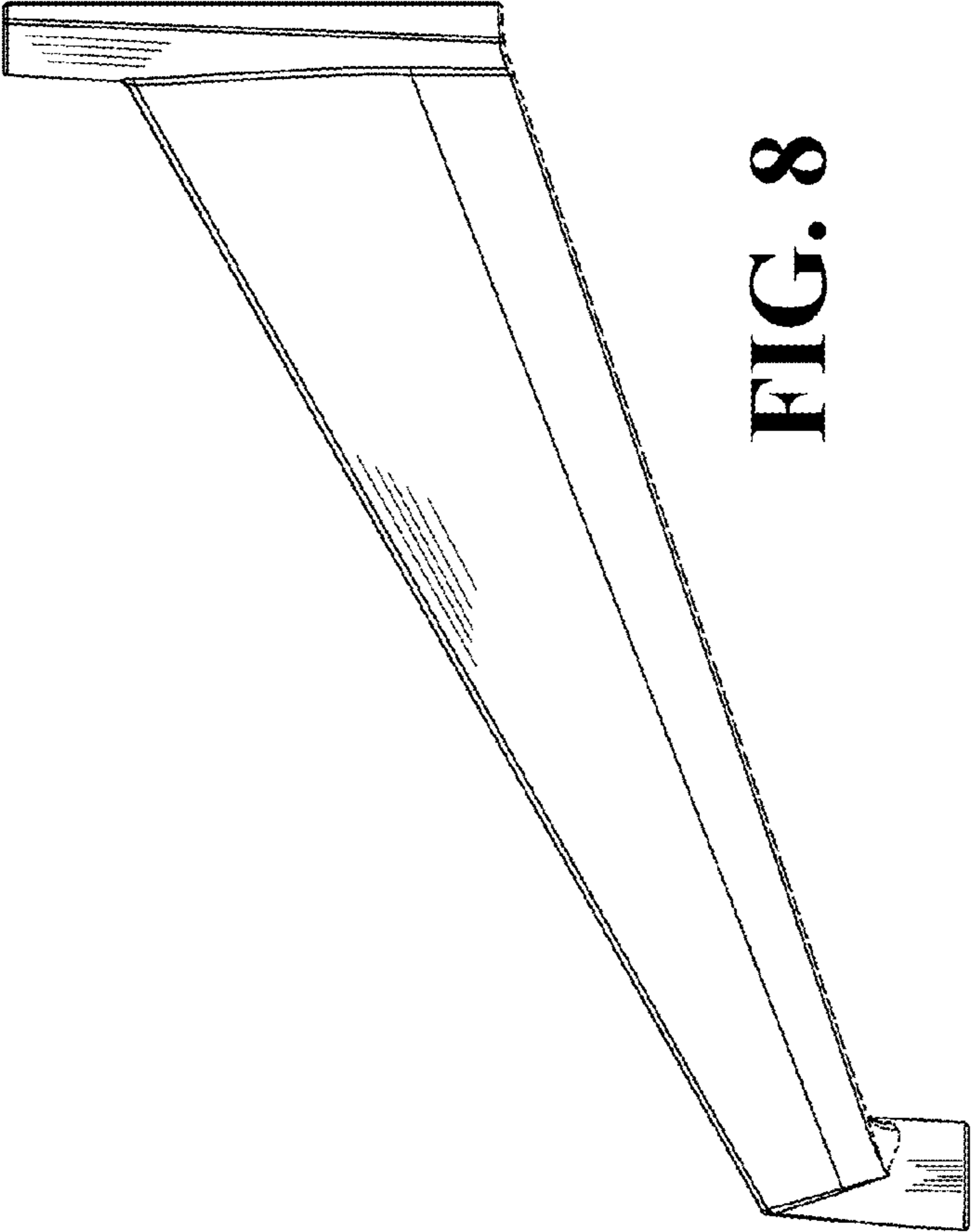


FIG. 8

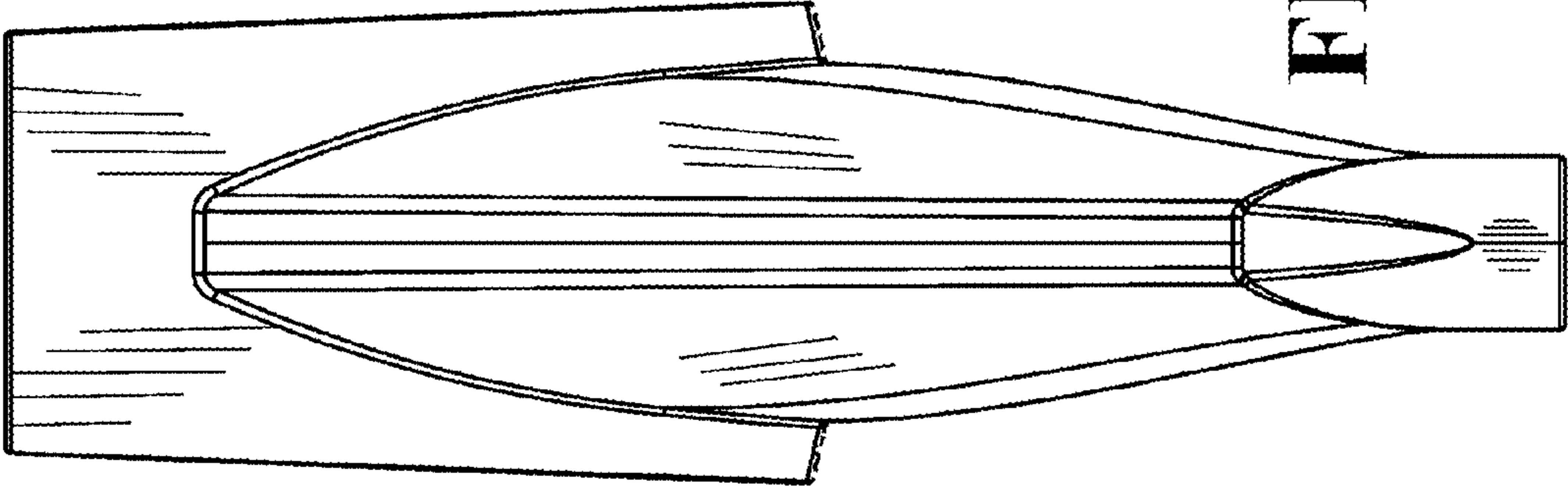


FIG. 9

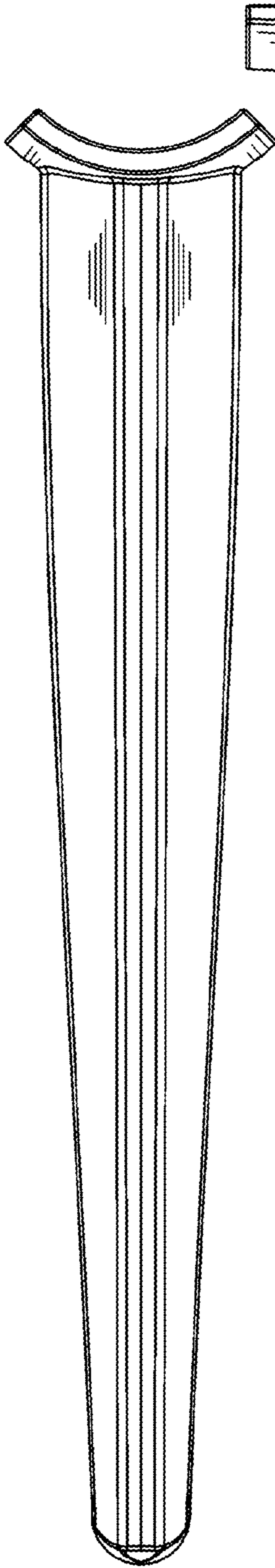


FIG. 10

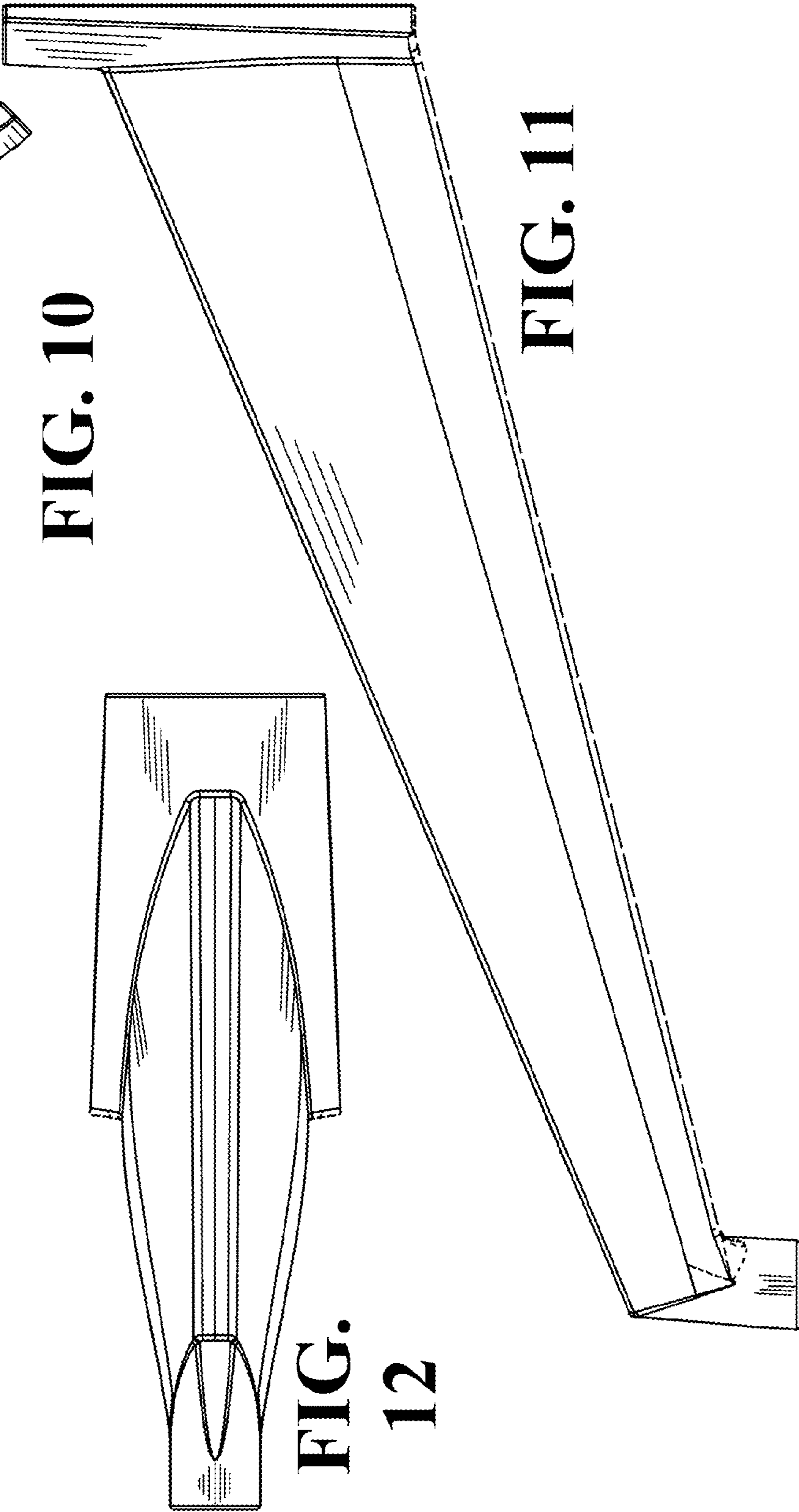


FIG. 11

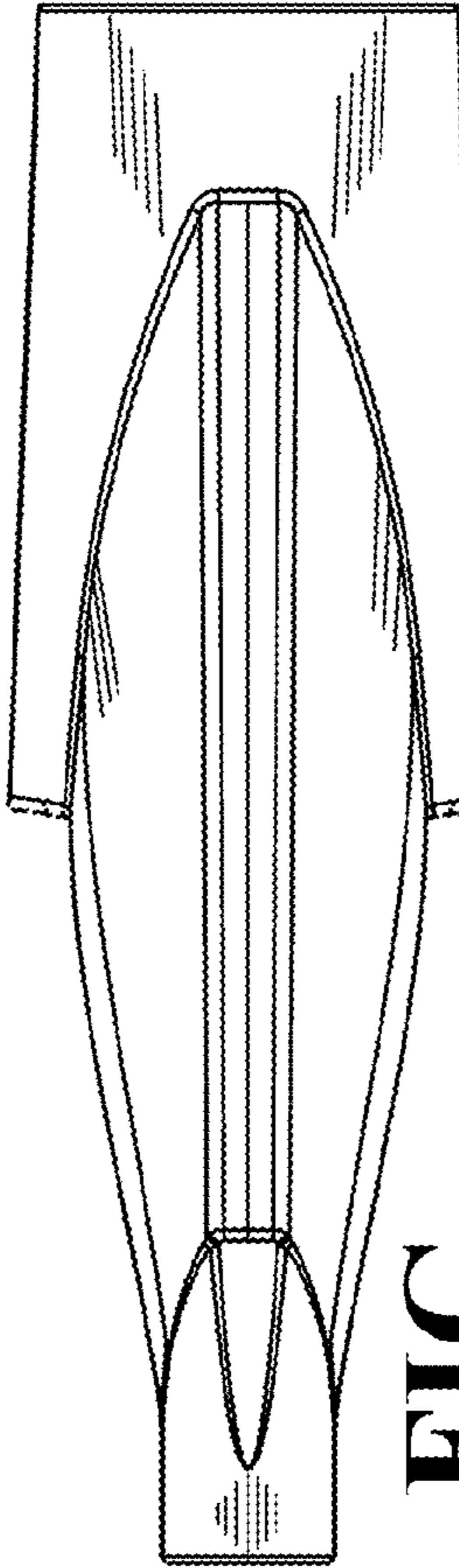


FIG.
12

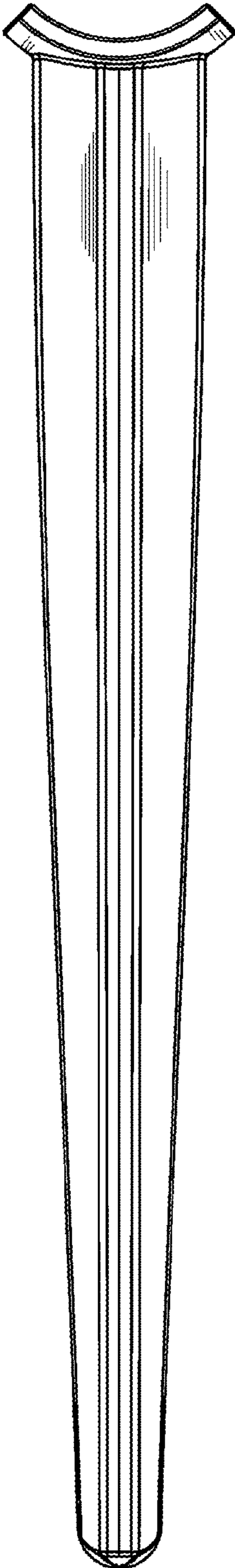


FIG. 13

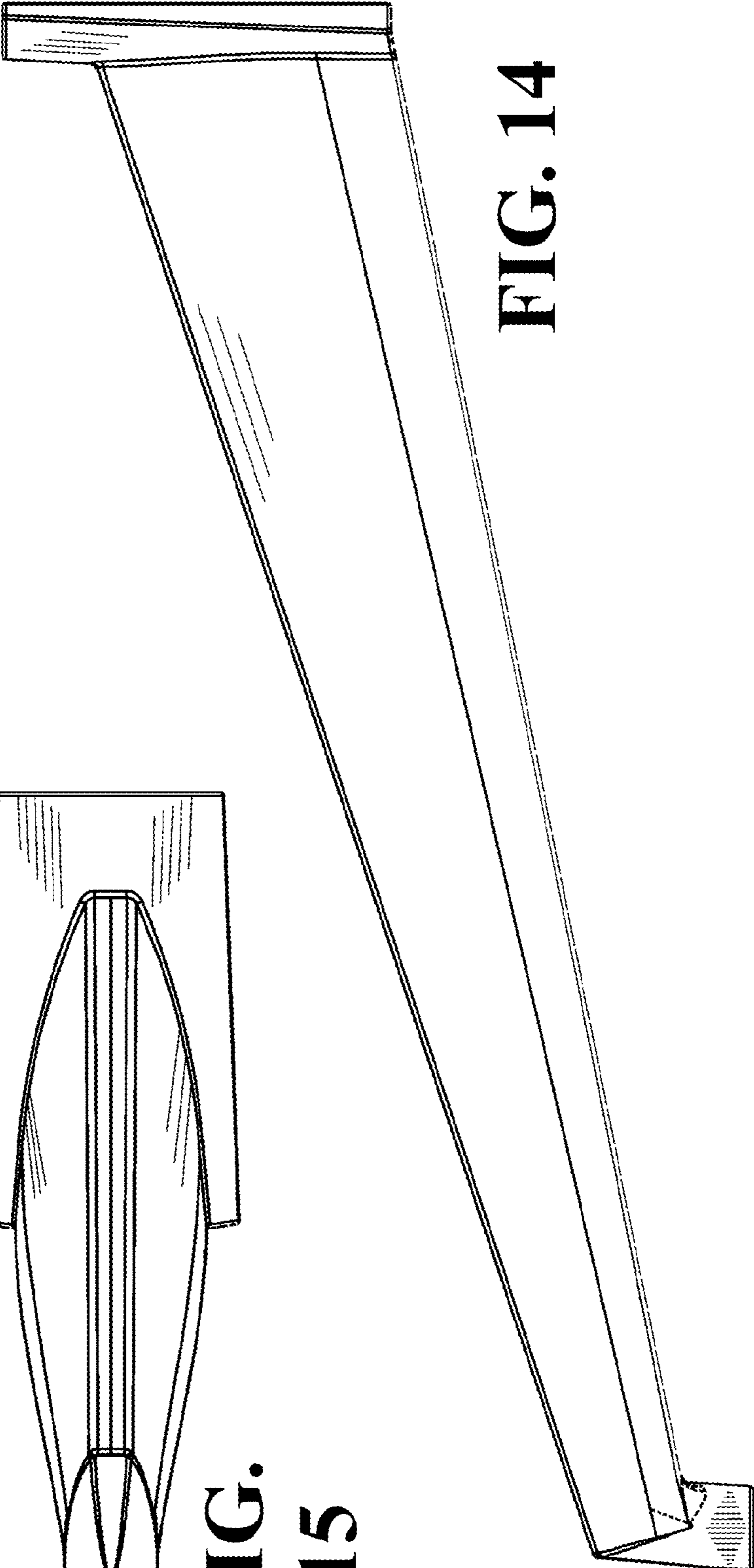


FIG. 14

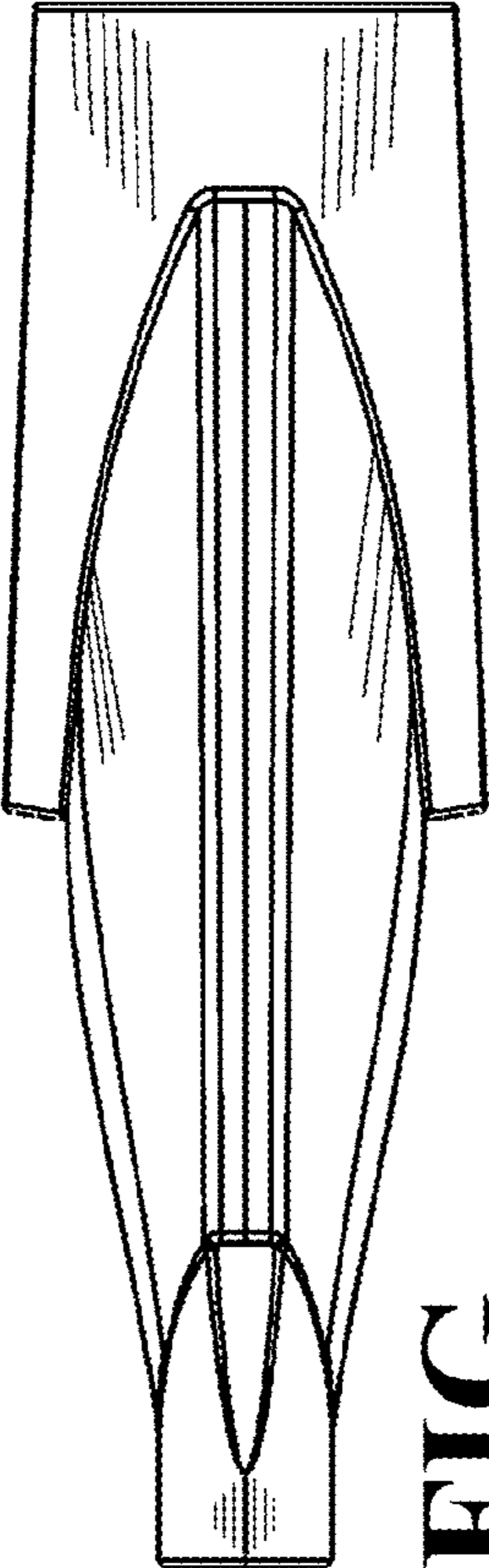


FIG.
15

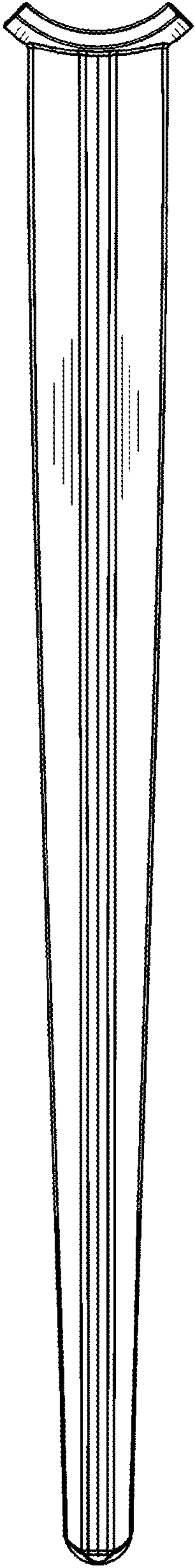


FIG. 16

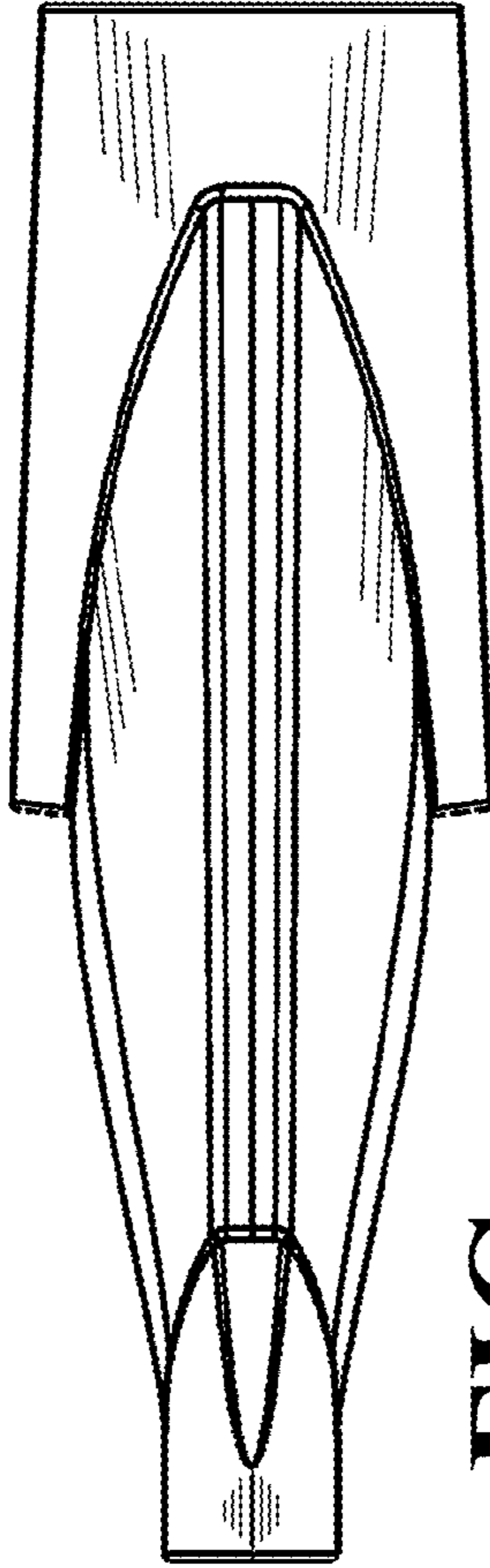


FIG.
17



FIG. 18