



US00D634947S

(12) **United States Design Patent**  
**Barabas et al.**

(10) **Patent No.:** **US D634,947 S**

(45) **Date of Patent:** **\*\* Mar. 29, 2011**

(54) **MOUNT FOR A DIGITAL MEDIA PLAYER**

(75) Inventors: **Alfred Barabas**, La Habra, CA (US);  
**Laszlo Barabas**, Rancho Palos Verdes,  
CA (US)

(73) Assignee: **Dice Electronics, LLC**, Signal Hill, CA  
(US)

(\*\*) Term: **14 Years**

(21) Appl. No.: **29/367,640**

(22) Filed: **Aug. 10, 2010**

**Related U.S. Application Data**

(60) Continuation-in-part of application No. 29/352,366,  
filed on Dec. 18, 2009, now Pat. No. Des. 621,180,  
which is a continuation-in-part of application No.  
29/335,310, filed on Apr. 13, 2009, now Pat. No. Des.  
609,030, which is a division of application No.  
29/256,552, filed on Mar. 22, 2006, now Pat. No. Des.  
590,184.

(51) **LOC (9) Cl.** ..... **06-04**

(52) **U.S. Cl.** ..... **D6/466**

(58) **Field of Classification Search** ..... D6/466,  
D6/436, 449, 473-479; 312/7.1, 7.2, 9.1,  
312/111; D14/126, 133, 239, 224, 224.1,  
D14/251; 211/85.7, 133.1

See application file for complete search history.

(56) **References Cited**

**U.S. PATENT DOCUMENTS**

D98,786 S *	3/1936	Sunderhauf	.....	D6/466
D323,085 S *	1/1992	Konkel	.....	D6/466
D361,450 S *	8/1995	Weatherby	.....	D6/466
D471,034 S *	3/2003	Bong et al.	.....	D6/479
D476,171 S *	6/2003	Hirano	.....	D6/466
D517,838 S *	3/2006	Luong	.....	D6/477
D529,316 S *	10/2006	Fujiki	.....	D6/478

D581,187 S *	11/2008	Vihauer	.....	D6/466
D590,184 S *	4/2009	Barabas et al.	.....	D6/466
D601,366 S *	10/2009	Barabas et al.	.....	D6/466
D609,030 S *	2/2010	Barabas et al.	.....	D6/466
D621,180 S *	8/2010	Barabas et al.	.....	D6/466

\* cited by examiner

*Primary Examiner* — Caron Veynar

*Assistant Examiner* — Abraham Bahta

(74) *Attorney, Agent, or Firm* — Knobbe, Martens, Olson &  
Bear LLP

(57) **CLAIM**

The ornamental designs for a mount for a digital media  
player, as shown and described.

**DESCRIPTION**

FIG. 1 is a perspective view of a mount for a digital media  
player, in an exploded condition.

FIG. 2 is a perspective view of a top, front and right side of the  
mount of FIG. 1.

FIG. 3 is a front view of the mount of FIG. 1.

FIG. 4 is a rear view of the mount of FIG. 1.

FIG. 5 is a top view of the mount of FIG. 1.

FIG. 6 is a bottom view of the mount of FIG. 1.

FIG. 7 is a right side view of the mount of FIG. 1. Although  
not separately shown, the left side view is a mirror image of  
the right side view.

FIG. 8 is a perspective view of a mount for a digital media  
player, in an exploded condition.

FIG. 9 is a perspective view of a top, front and right side of the  
mount of FIG. 8.

FIG. 10 is a front view of the mount of FIG. 8.

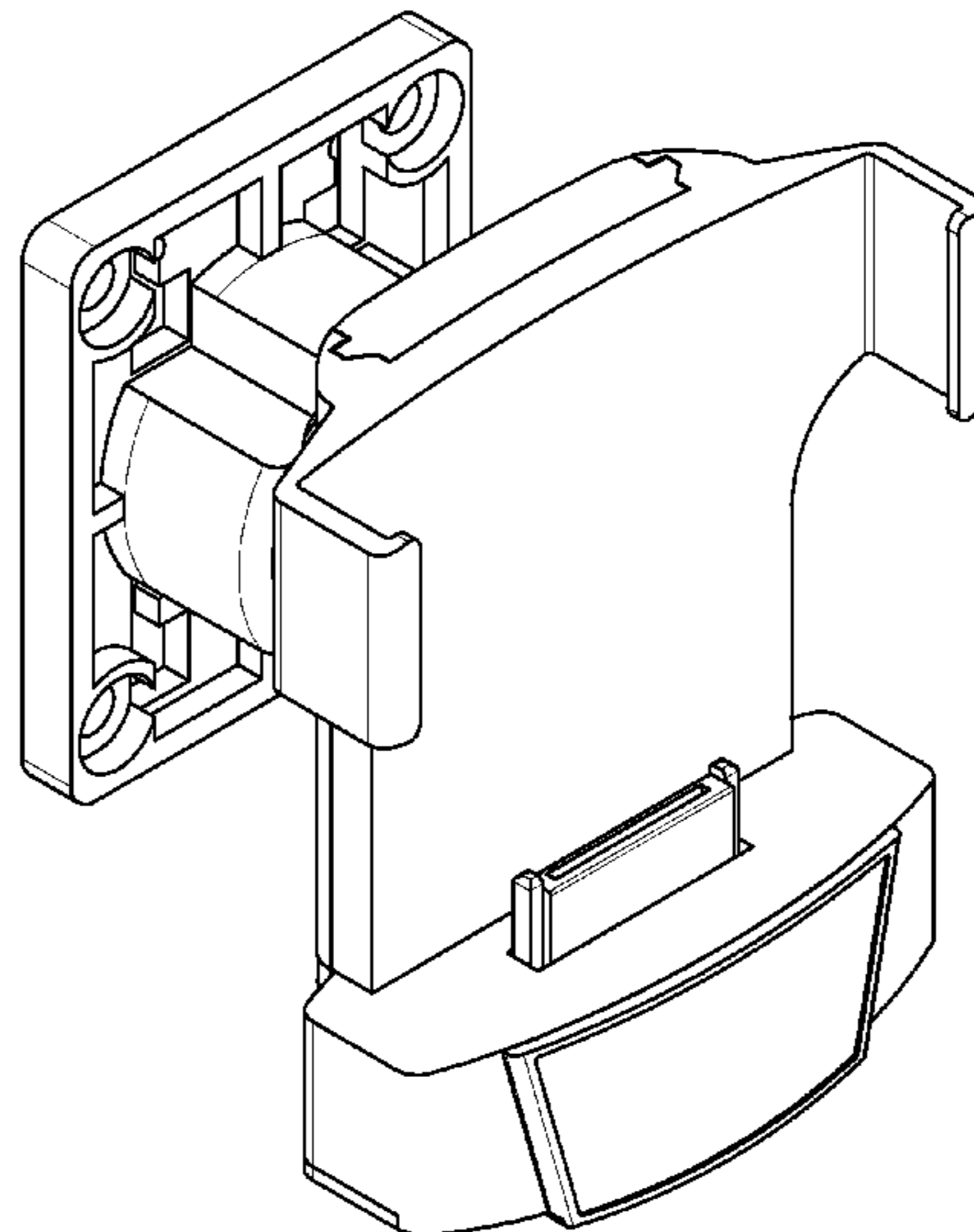
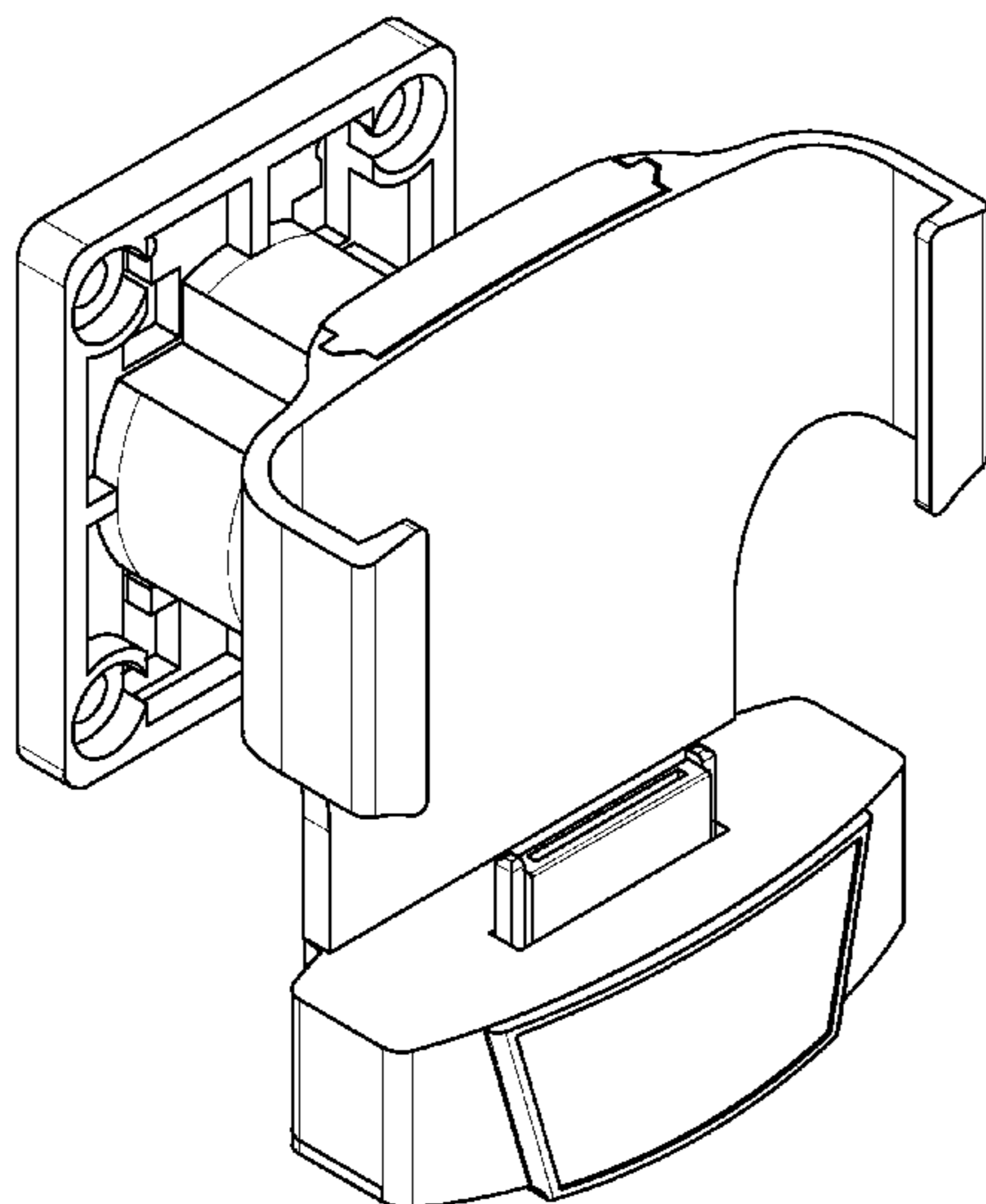
FIG. 11 is a rear view of the mount of FIG. 8.

FIG. 12 is a top view of the mount of FIG. 8.

FIG. 13 is a bottom view of the mount of FIG. 8; and,

FIG. 14 is a right side view of the mount of FIG. 8. Although  
not separately shown, the left side view is a mirror image of  
the right side view.

**1 Claim, 8 Drawing Sheets**



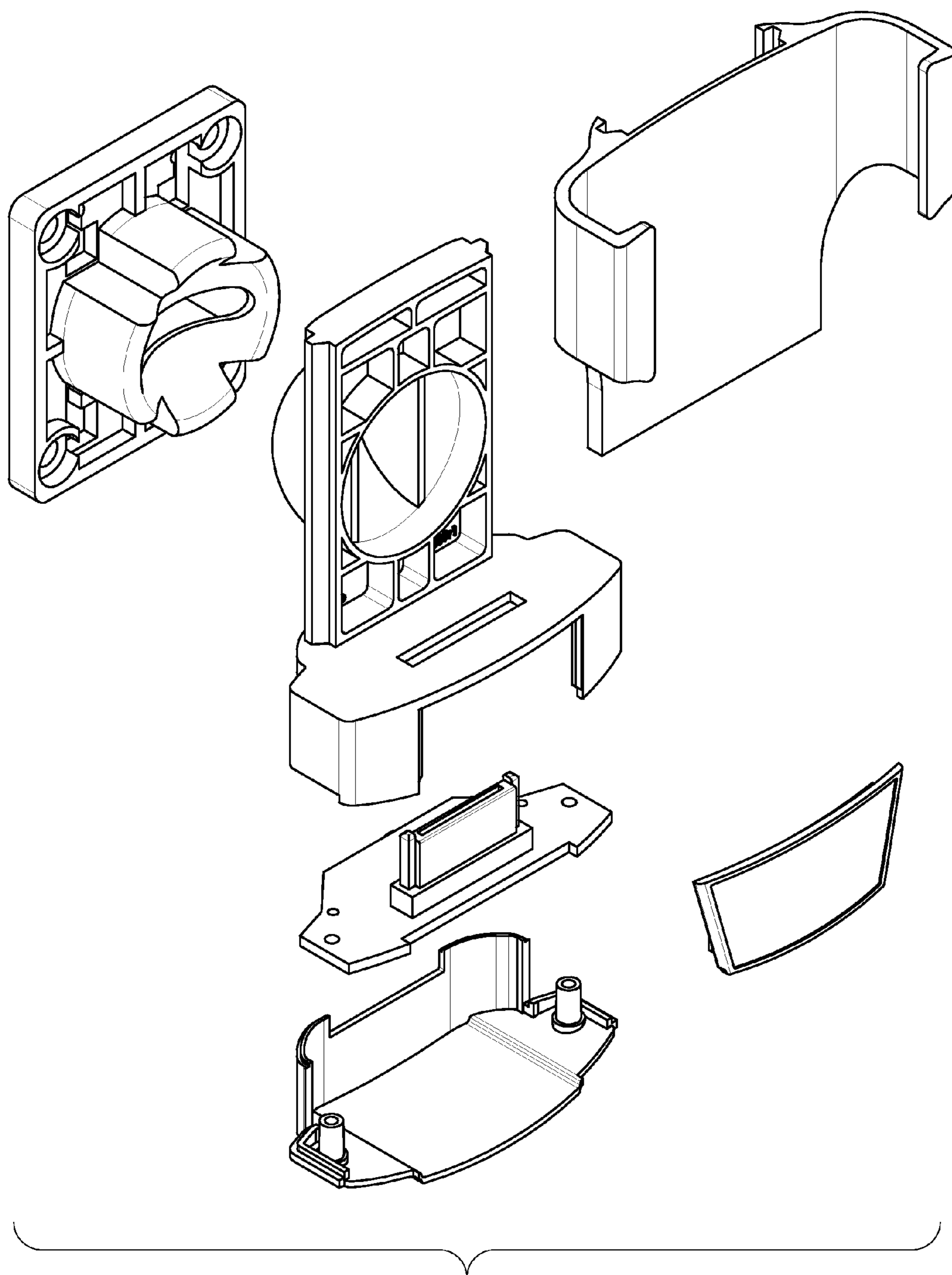


FIG. 1

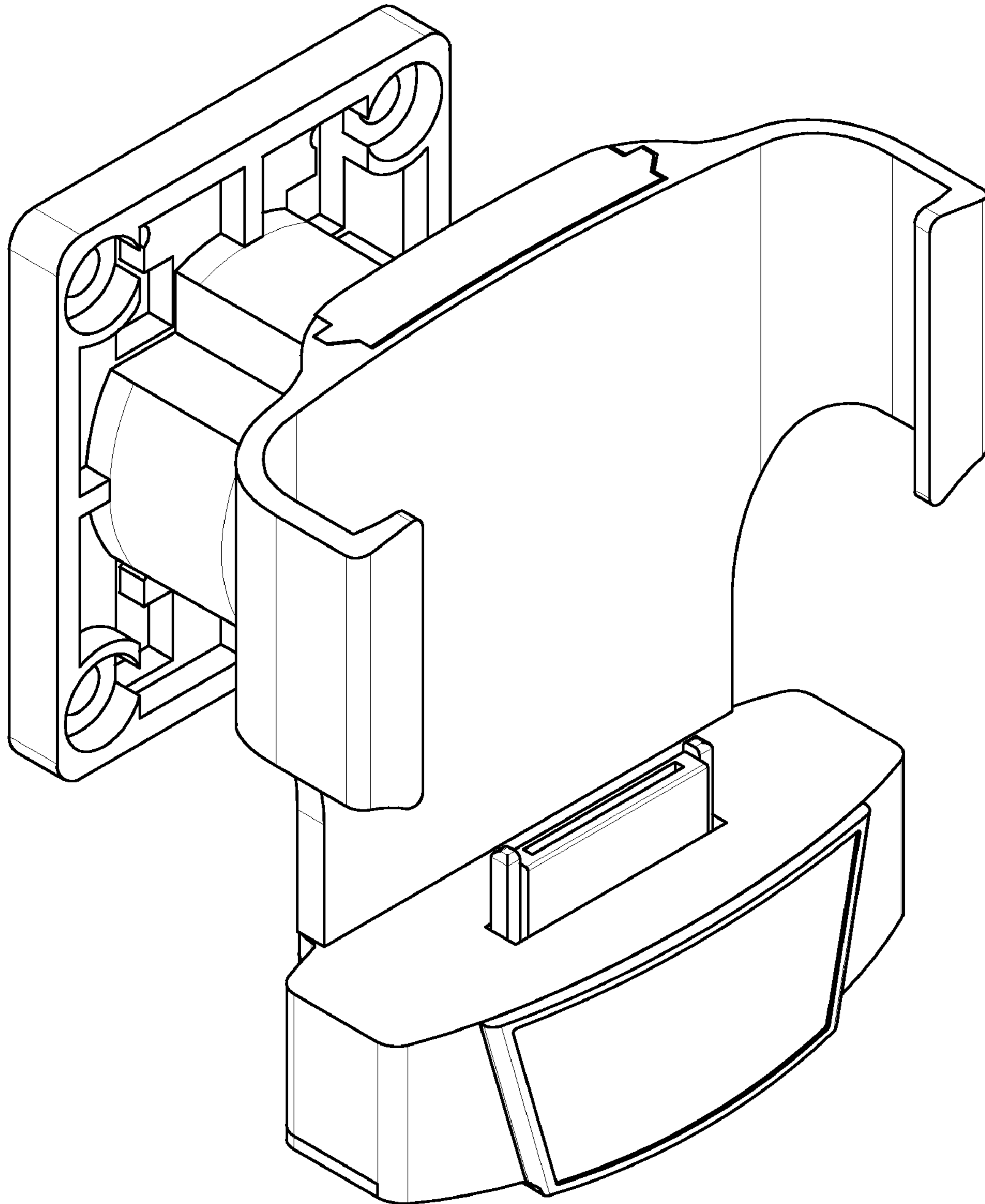


FIG. 2

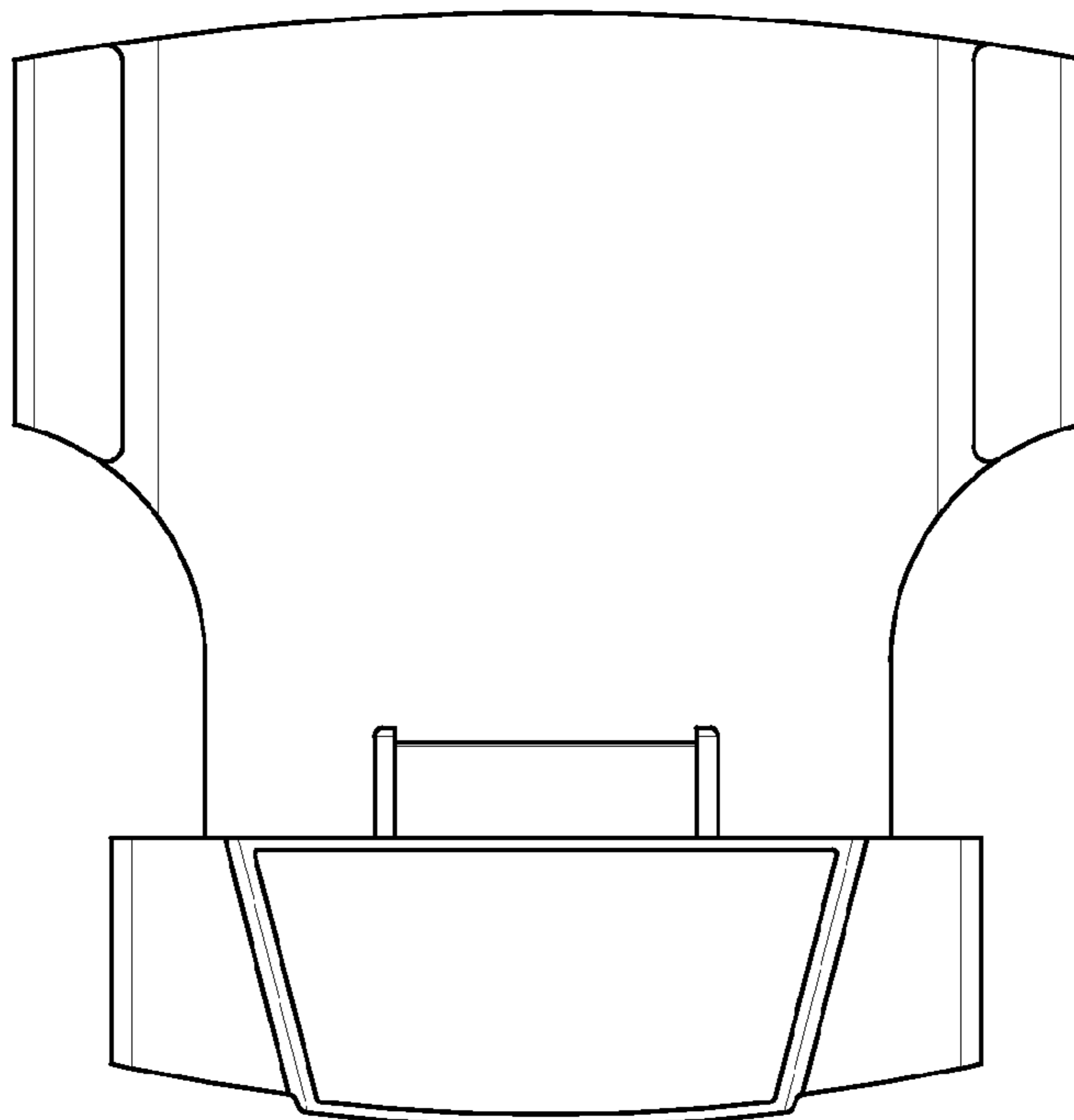


FIG. 3

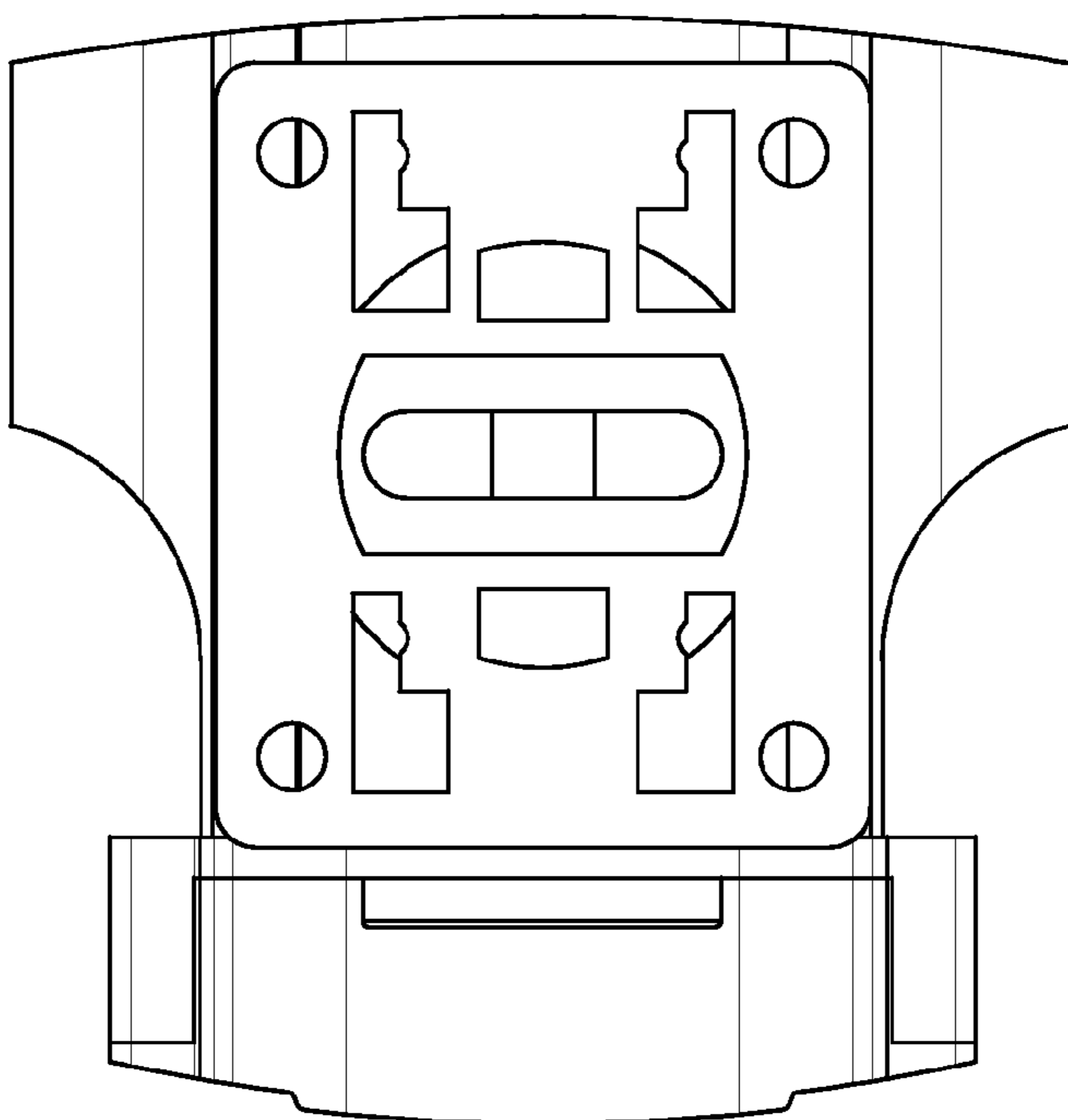


FIG. 4

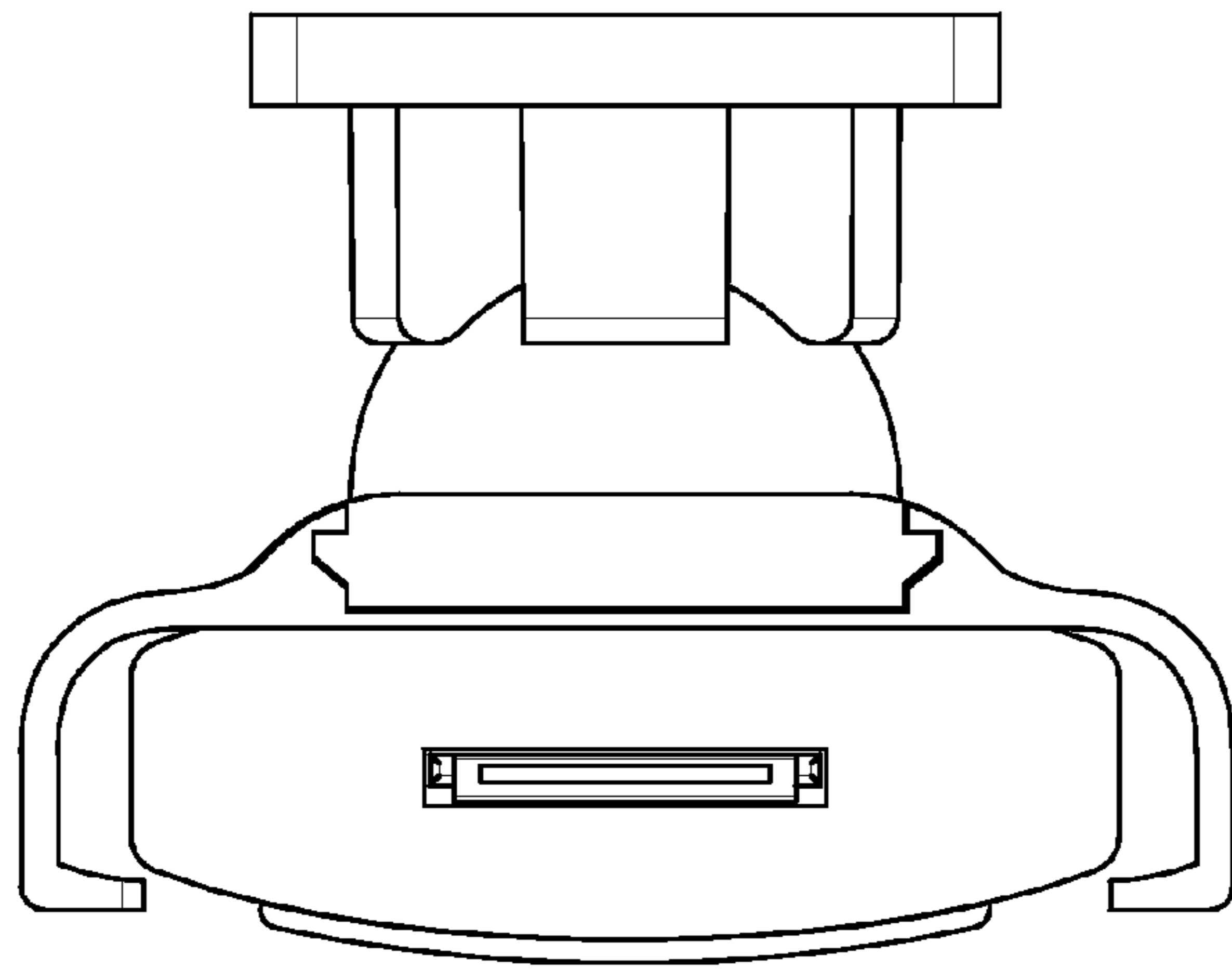


FIG. 5

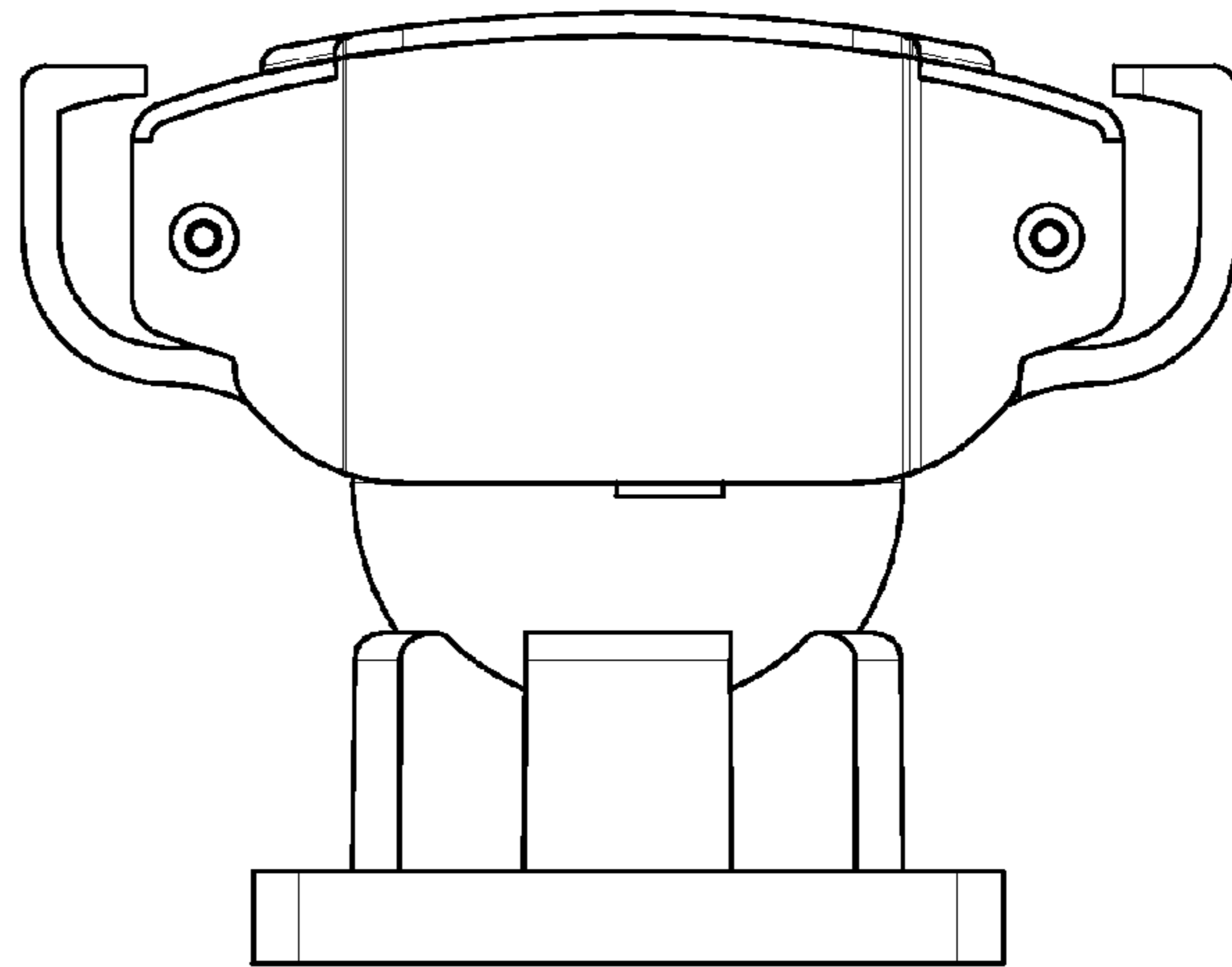


FIG. 6

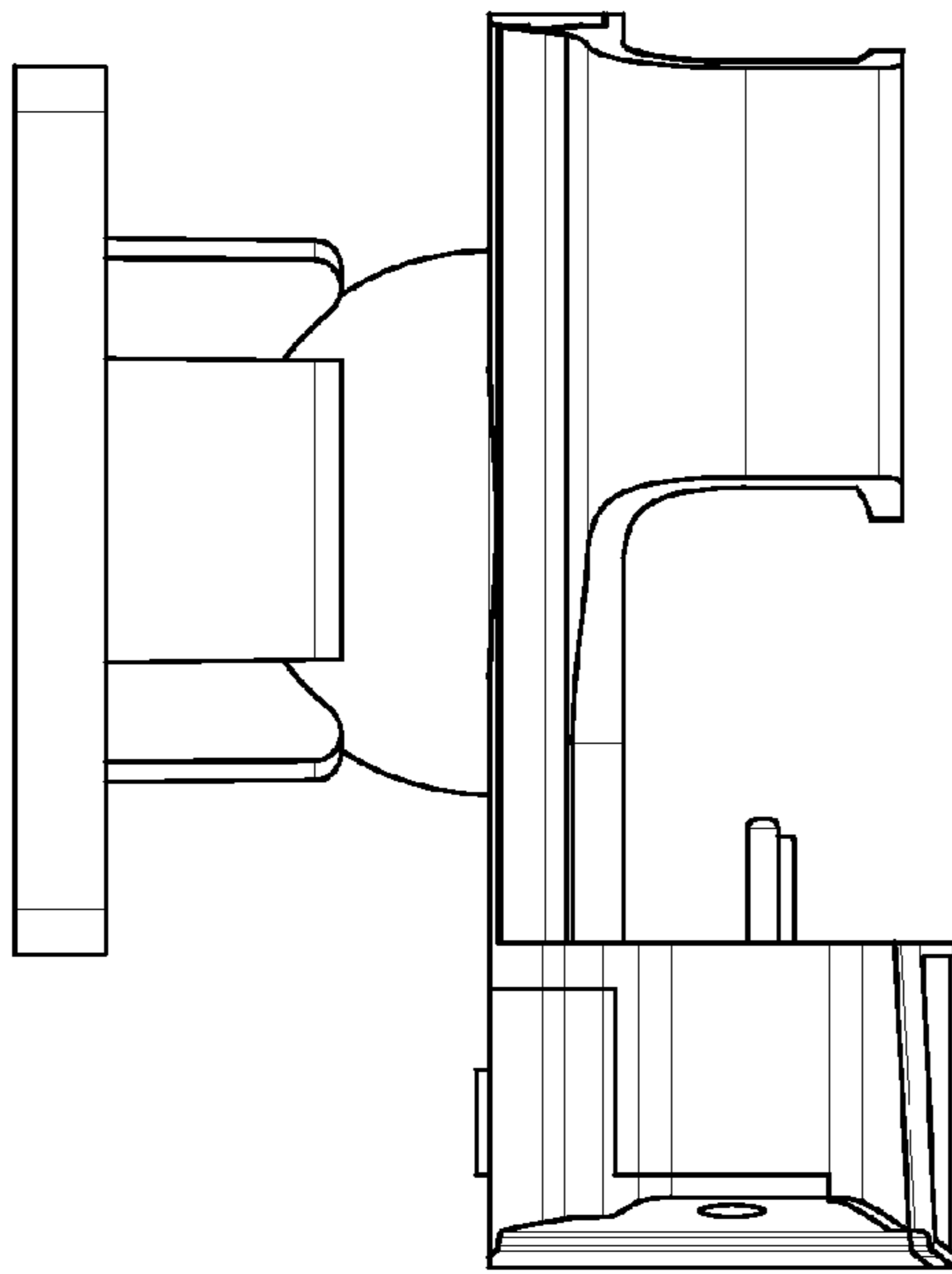


FIG. 7

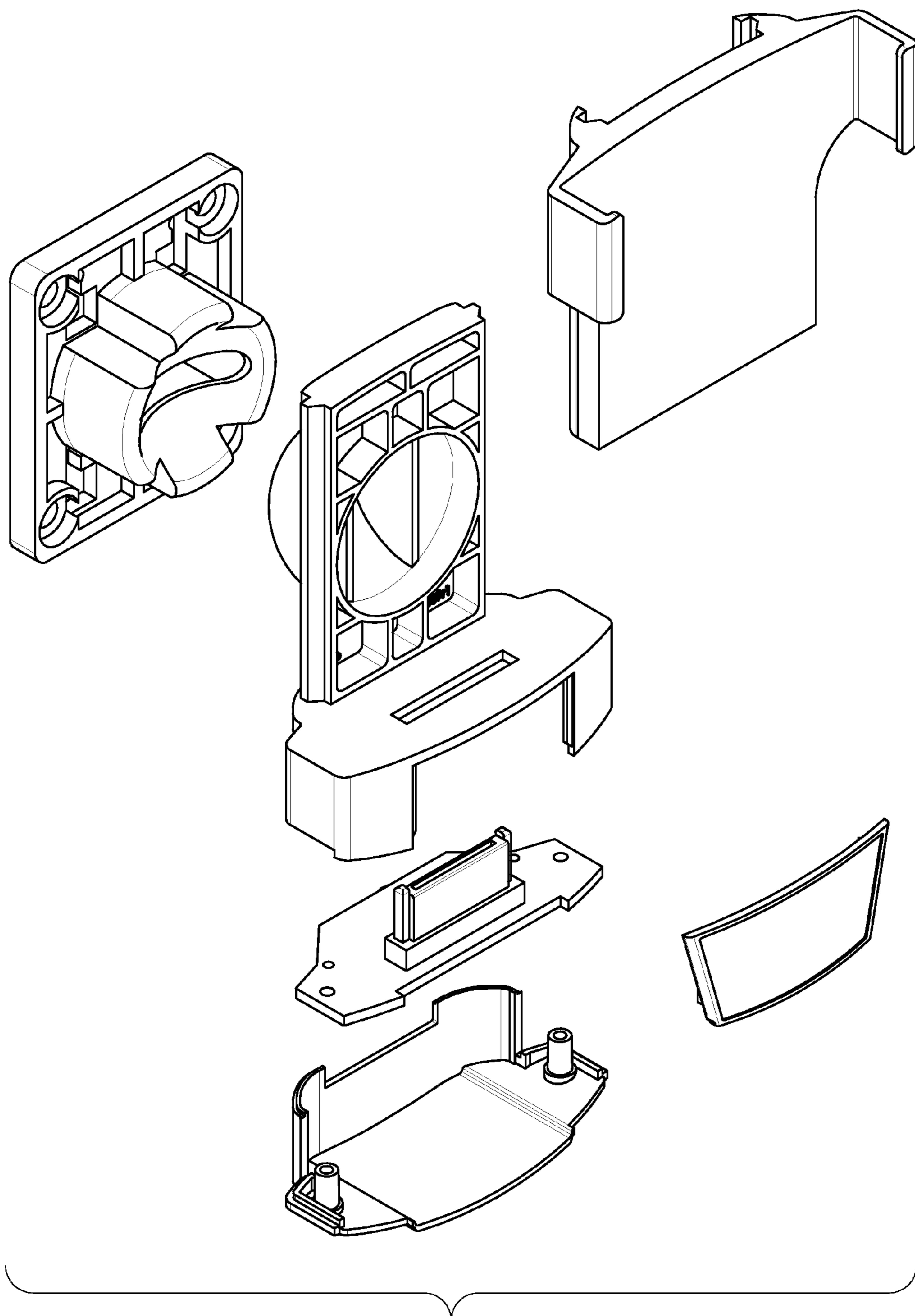


FIG. 8

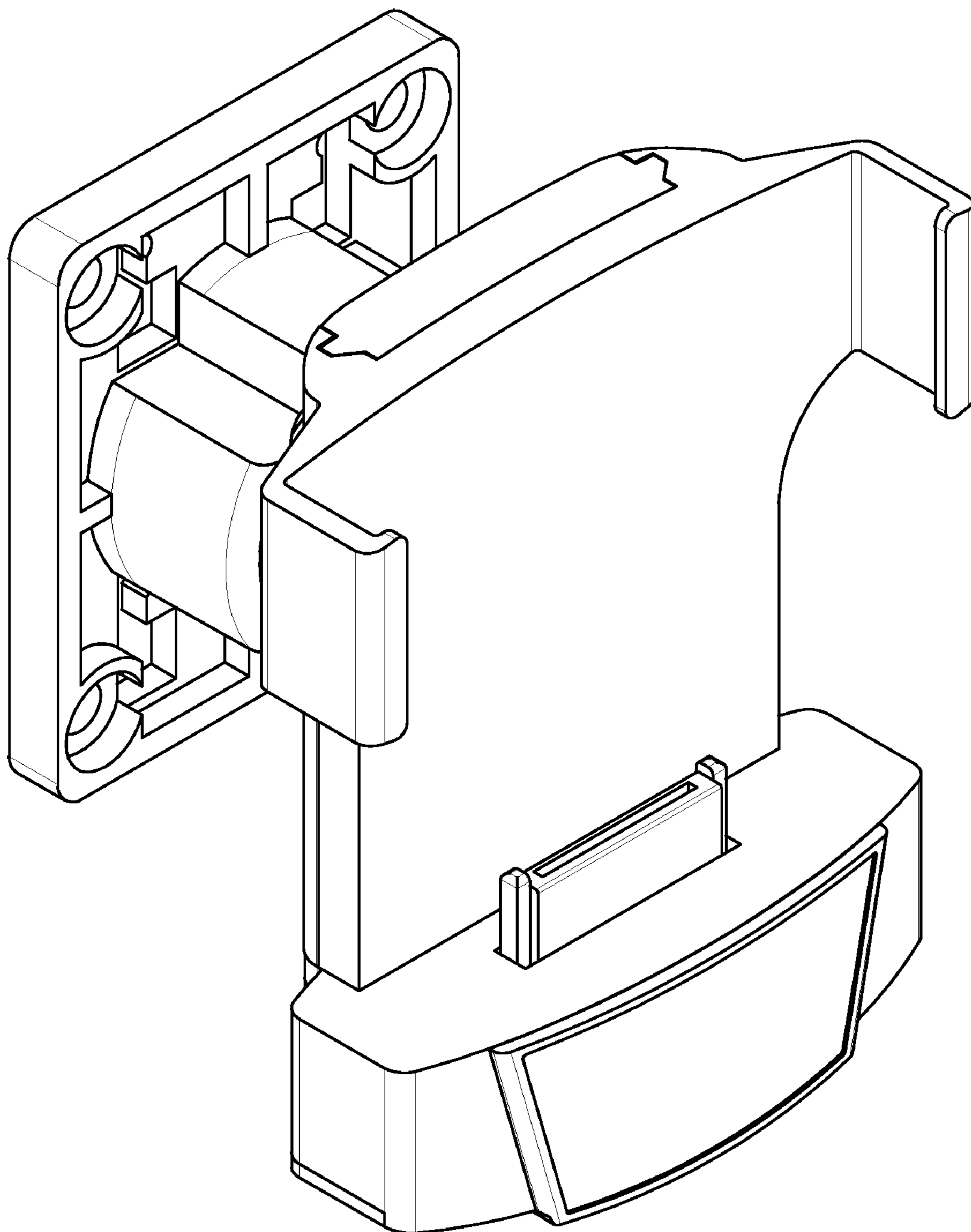
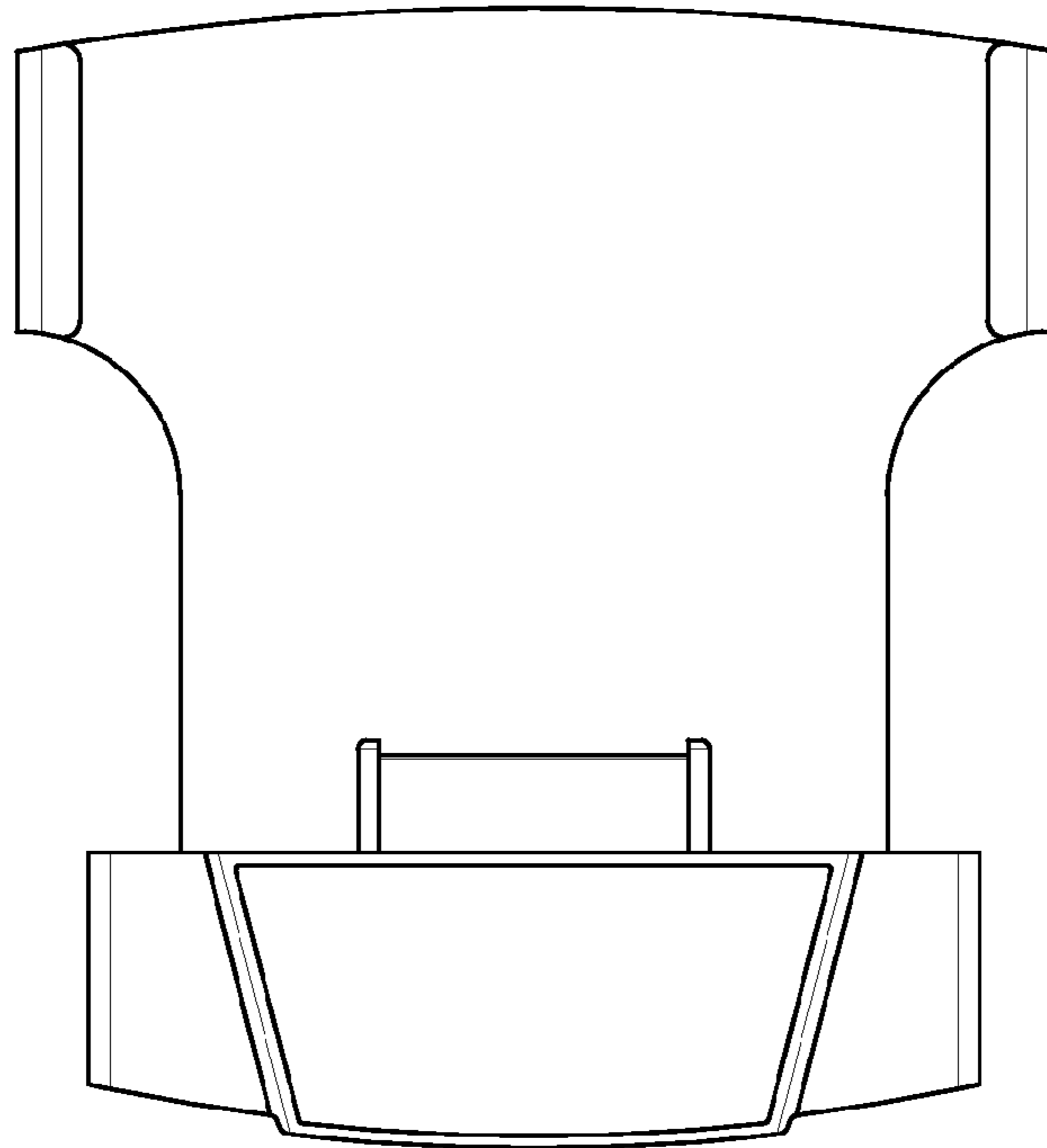
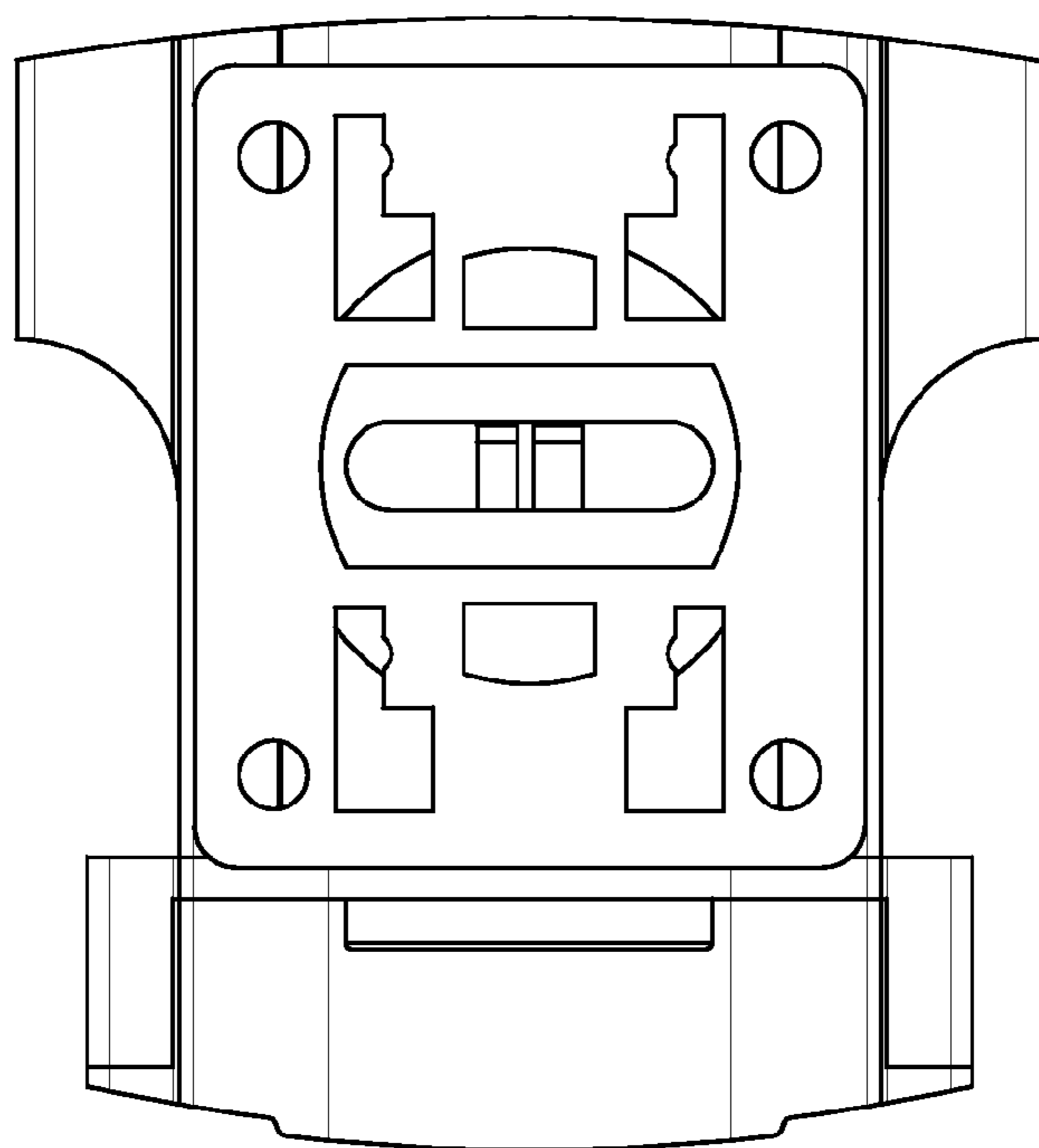


FIG. 9



*FIG. 10*



*FIG. 11*



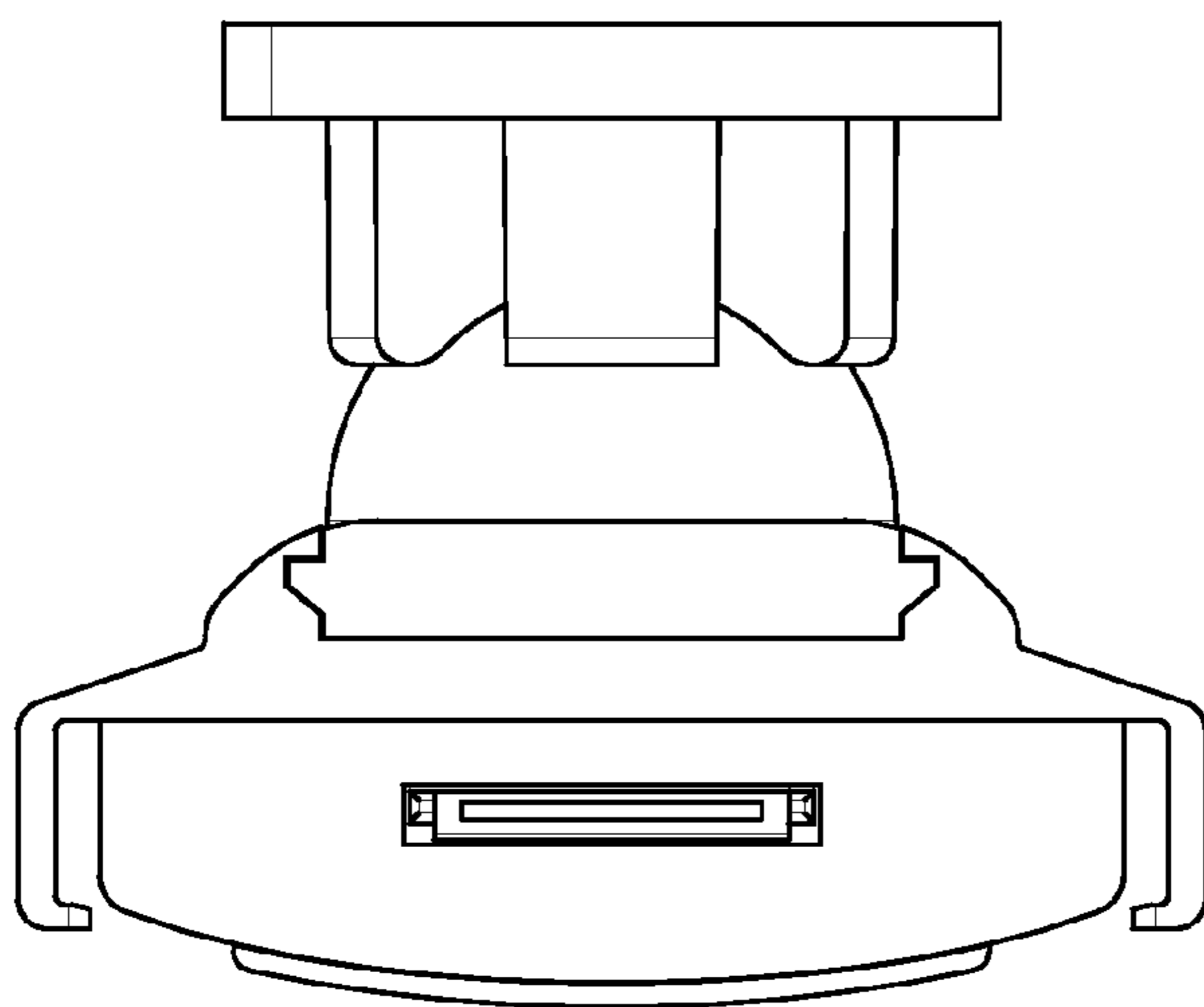


FIG. 12

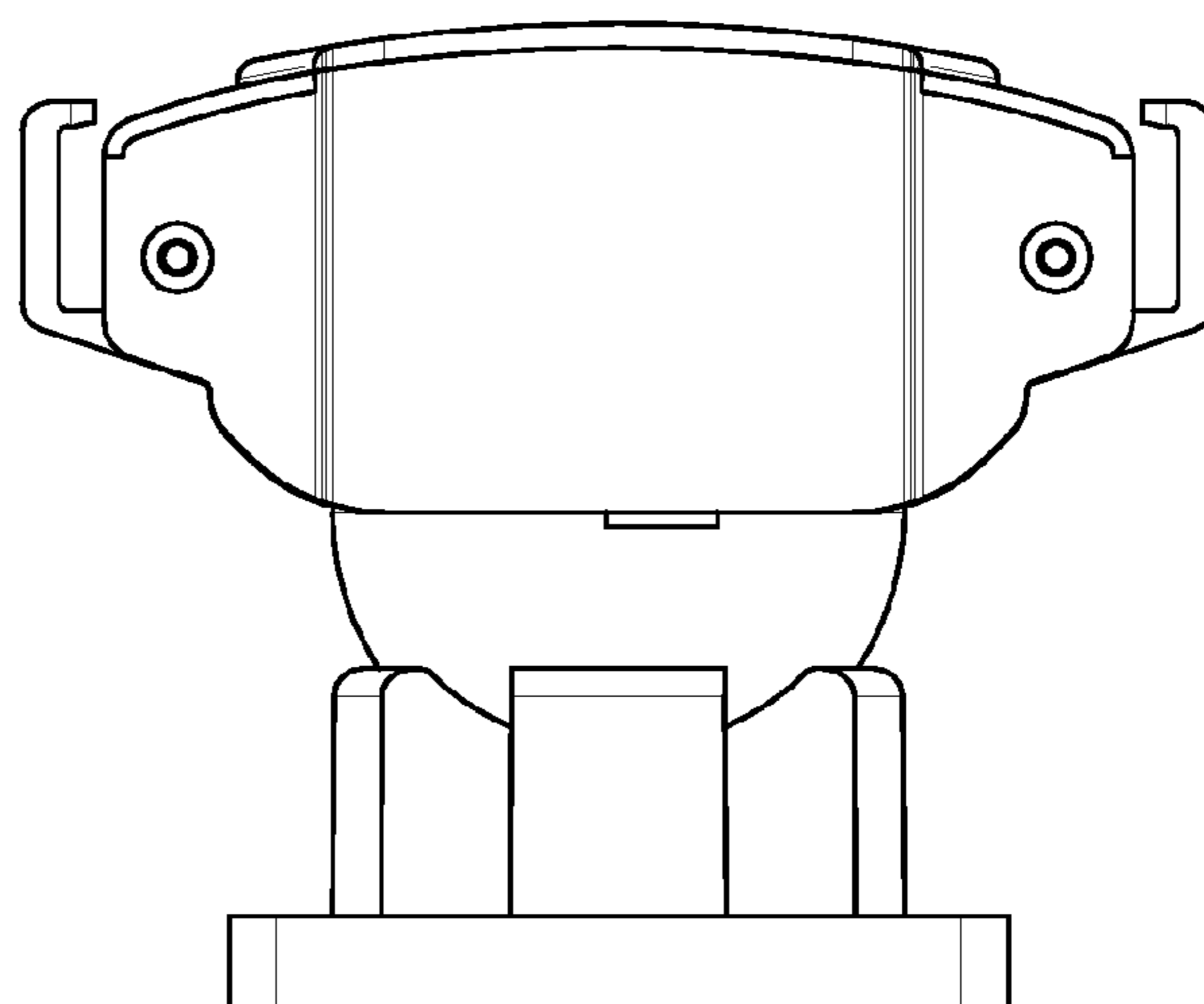


FIG. 13

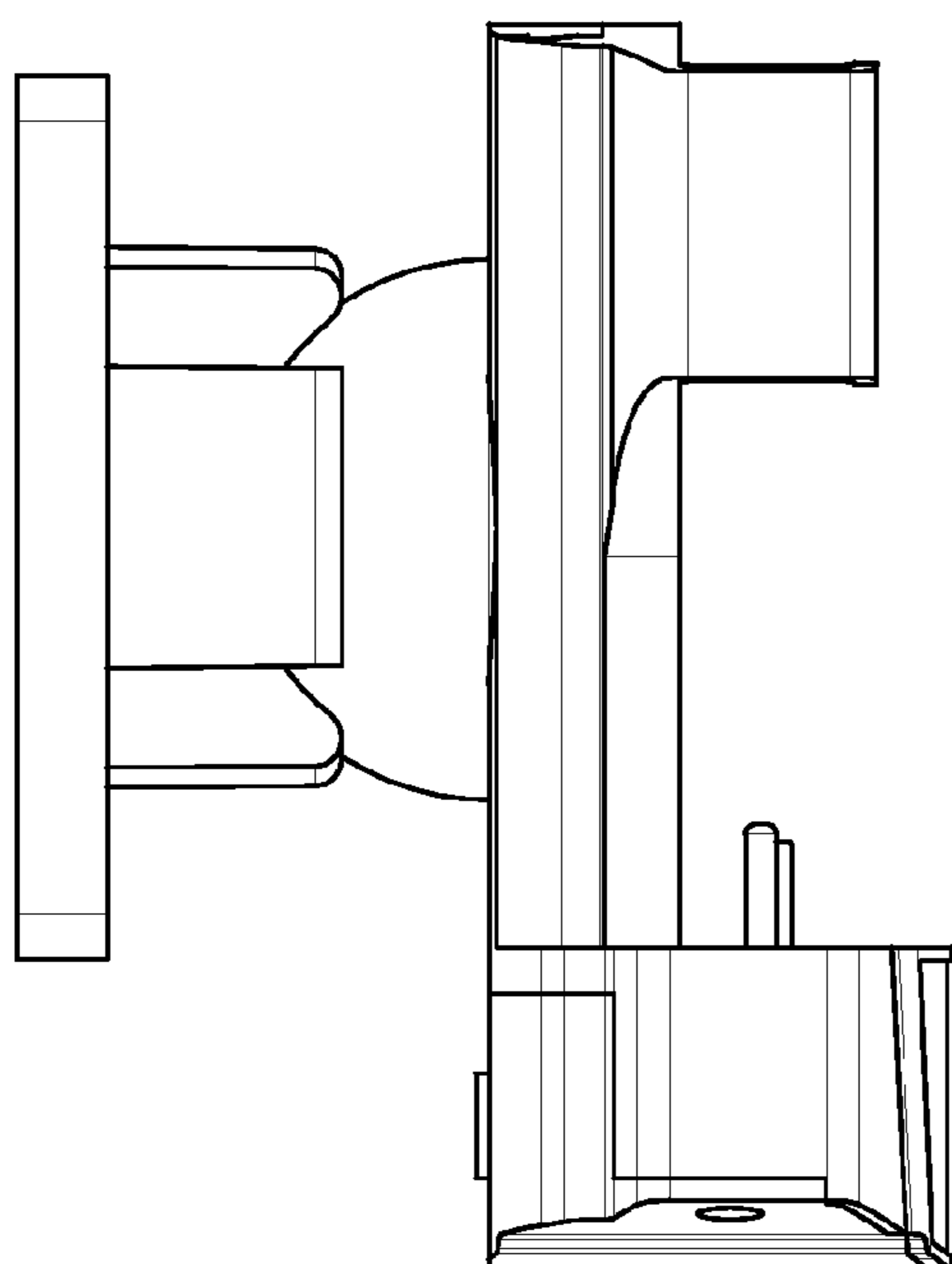


FIG. 14