



US00D634946S

(12) **United States Design Patent**
Gillespie

(10) **Patent No.:** **US D634,946 S**
(45) **Date of Patent:** **** Mar. 29, 2011**

(54) **DISPLAY UNIT**

(75) Inventor: **John Michael Gillespie**, Green Oaks, IL
(US)

(73) Assignee: **Peerless Industries, Inc.**, Aurora, IL
(US)

(**) Term: **14 Years**

(21) Appl. No.: **29/377,236**

(22) Filed: **Oct. 19, 2010**

D567,546 S	4/2008	Liu
D568,321 S	5/2008	Gillespie et al.
D568,322 S	5/2008	Gillespie et al.
D568,323 S	5/2008	Gillespie et al.
D570,620 S	6/2008	Öngör
D580,742 S	11/2008	Short
D581,915 S	12/2008	Sculler et al.
D581,916 S	12/2008	Sculler et al.
D591,089 S	4/2009	Sexton
D592,432 S	5/2009	Sexton
D593,104 S	5/2009	Gillespie
D598,219 S	8/2009	Sparks, Jr.
D605,429 S	12/2009	Öner
D607,671 S	1/2010	Sexton
D618,015 S	6/2010	Sexton
2004/0164212 A1	8/2004	Gillespie et al.

Related U.S. Application Data

(62) Division of application No. 29/344,003, filed on Sep. 22, 2009, now Pat. No. Des. 627,579.

(51) **LOC (9) Cl.** **06-04**

(52) **U.S. Cl.** **D6/462**

(58) **Field of Classification Search** D6/315,
D6/317, 323-324, 396-397, 409-418, 458,
D6/474-476, 487-488, 499, 512, 537, 552,
D6/460, 461, 477, 468; 211/96-97, 101,
211/196, 205, 106, 41.4, 85.31, 85.26, 123-125,
211/181.1, 182, 189, 195, 42, 87.01, 88.02,
211/89.01, 90.02, 90.03, 94.02, 103, 190;
52/653.1, 653.2, 650.1; 312/7.2, 9.1, 114,
312/117-118, 237; D14/239, 129, 126; 108/59,
108/91-92, 96

See application file for complete search history.

(56) **References Cited**

U.S. PATENT DOCUMENTS

D392,976 S	3/1998	Fenner et al.
D472,556 S	4/2003	Scharer et al.
6,905,101 B1	6/2005	Dittmer
D558,562 S	1/2008	Ciungan et al.
D562,113 S	2/2008	Ciungan et al.
D563,700 S	3/2008	Walters et al.

OTHER PUBLICATIONS

“Installation and Assembly-Display TV STB Enclosure,” Peerless Industries, Inc., May 24, 2007; 4 pages.

“Installation and Assembly Mount, Endcap TV 15”, Peerless Industries, Inc. Aug. 14, 2009, 4 pages.

Primary Examiner — Caron Veynar

Assistant Examiner — Abraham Bahta

(74) *Attorney, Agent, or Firm* — Foley & Lardner LLP

(57) **CLAIM**

I claim the ornamental design for a display unit, as shown and described.

DESCRIPTION

FIG. 1 is a perspective view of a display unit showing my new design;

FIG. 2 is a front elevational view thereof;

FIG. 3 is a right side elevational view thereof;

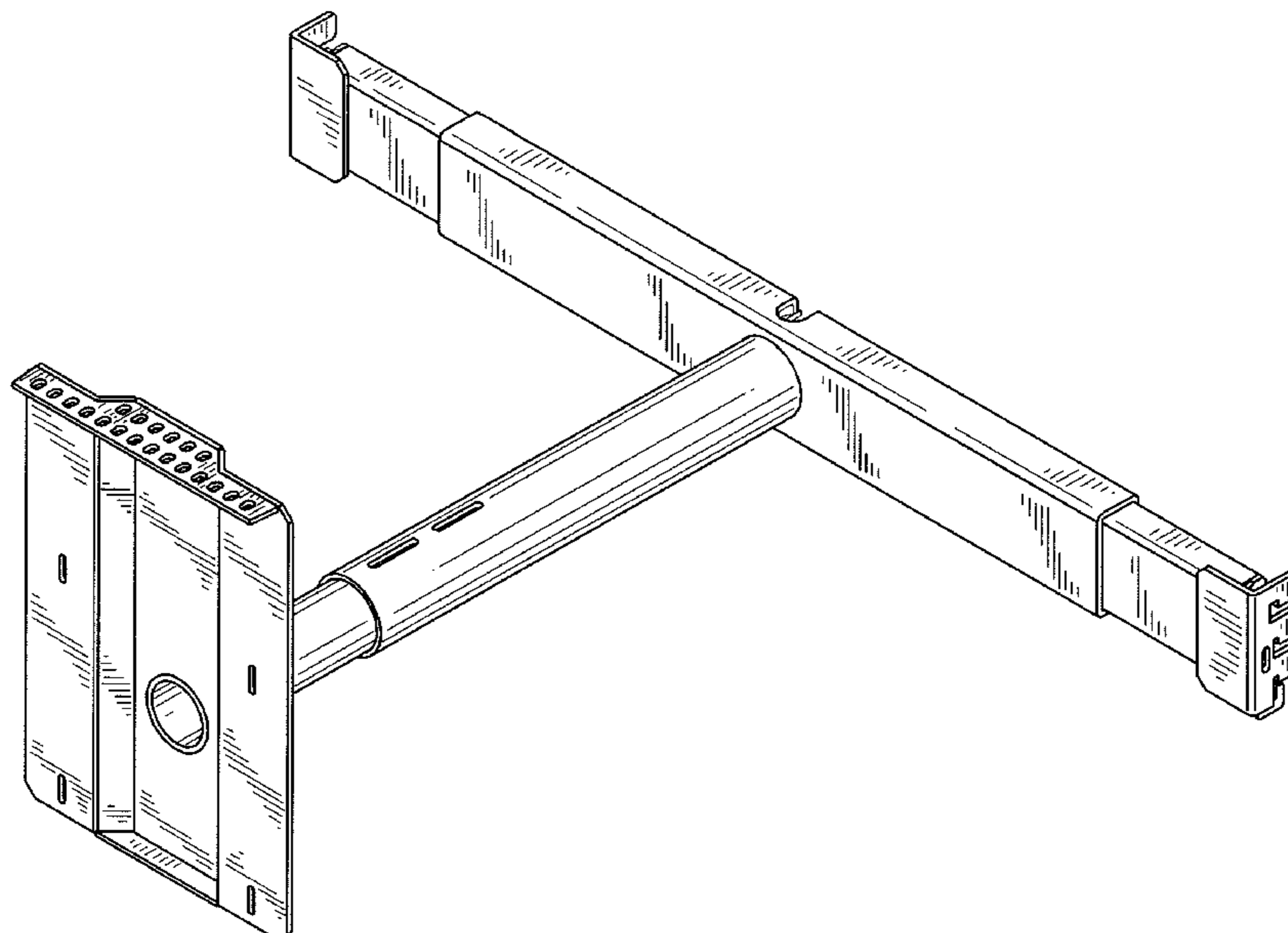
FIG. 4 is a left side elevational view thereof;

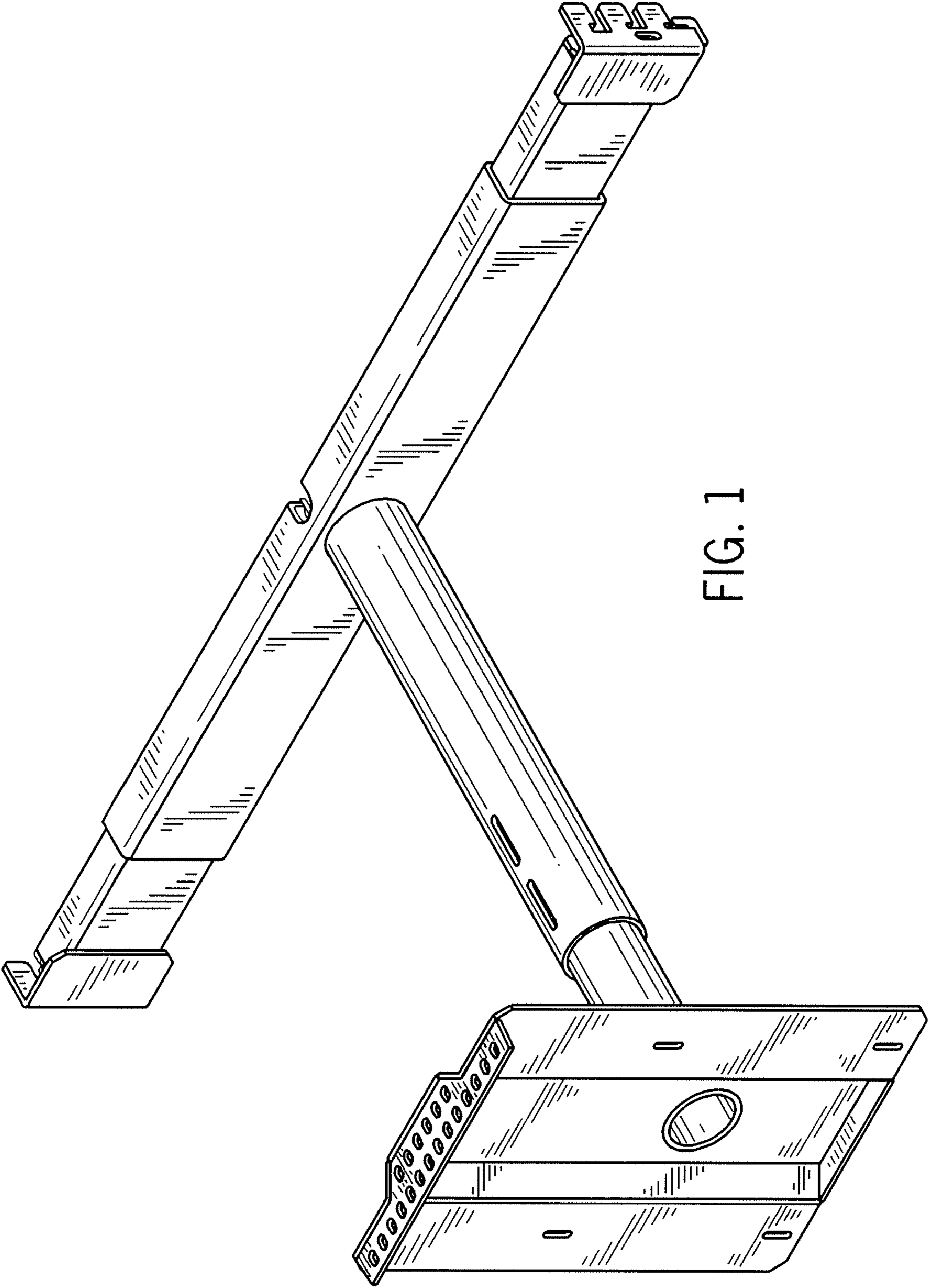
FIG. 5 is a top plan view thereof;

FIG. 6 is a bottom plan view thereof; and,

FIG. 7 is a rear elevational view thereof.

1 Claim, 7 Drawing Sheets





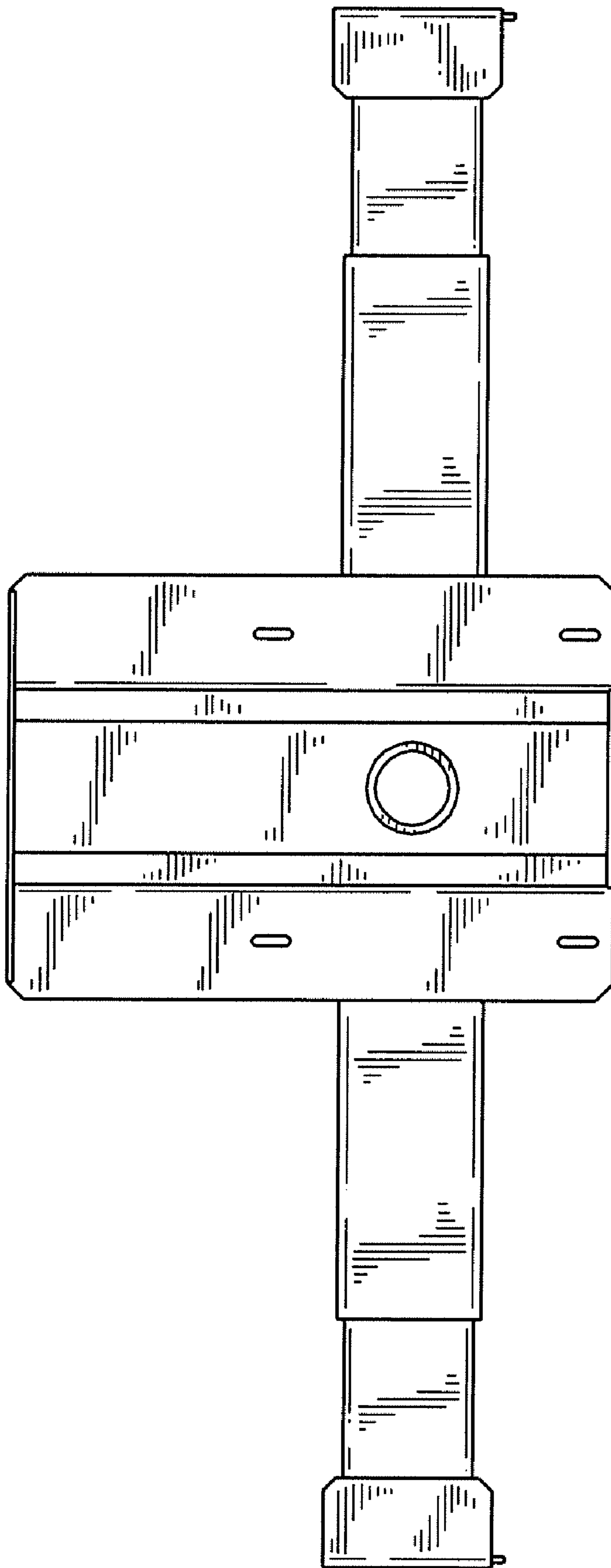


FIG. 2

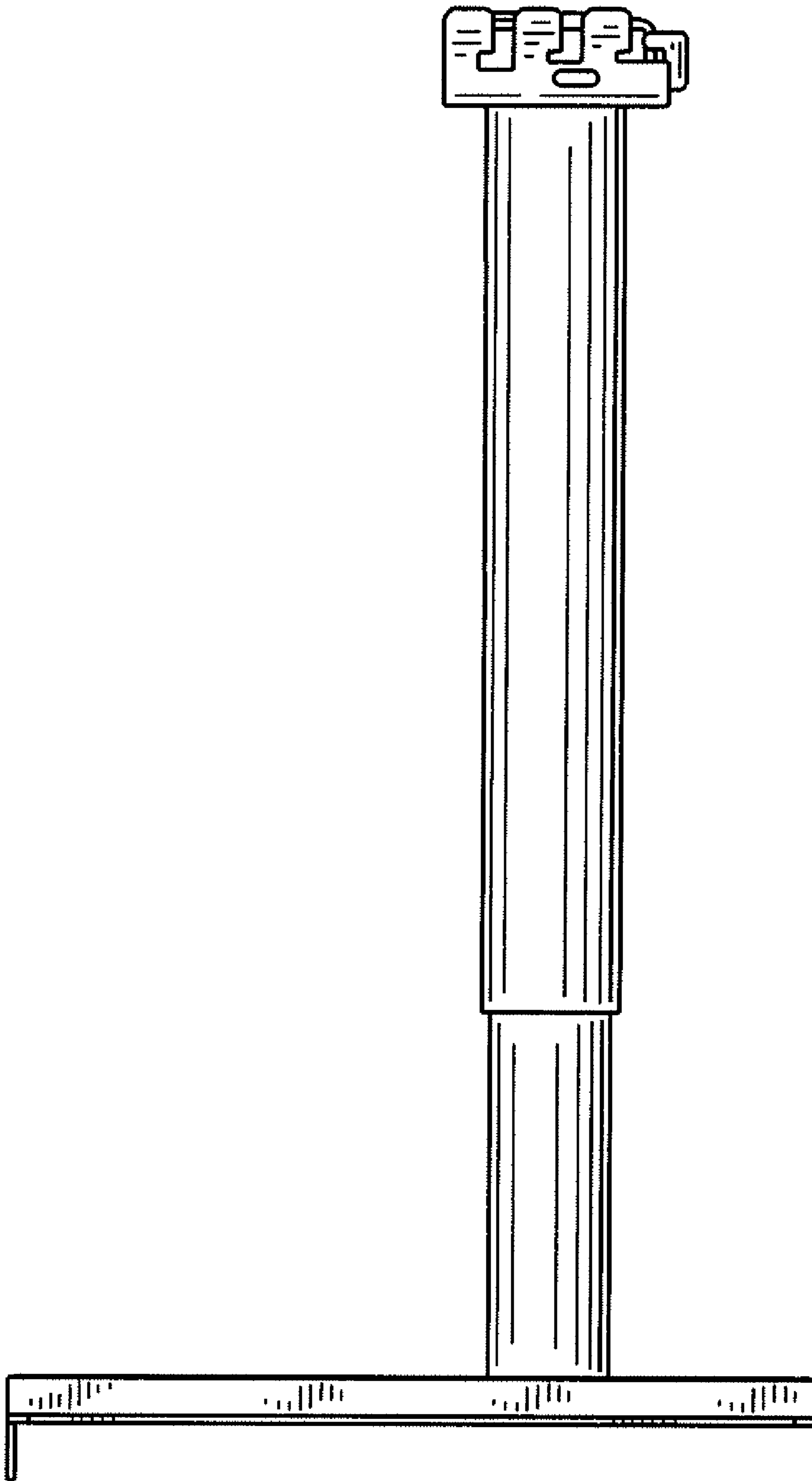


FIG. 3

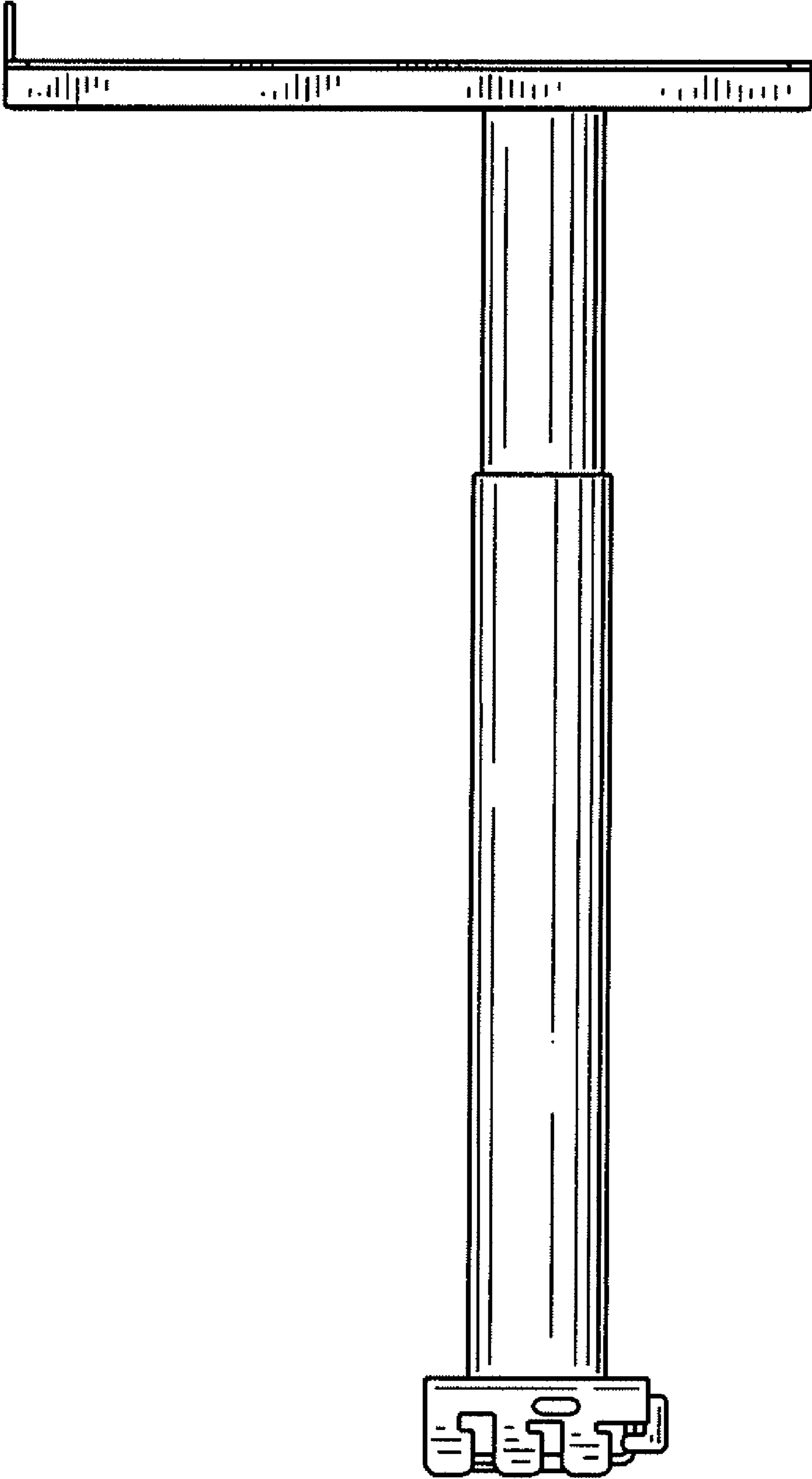


FIG. 4

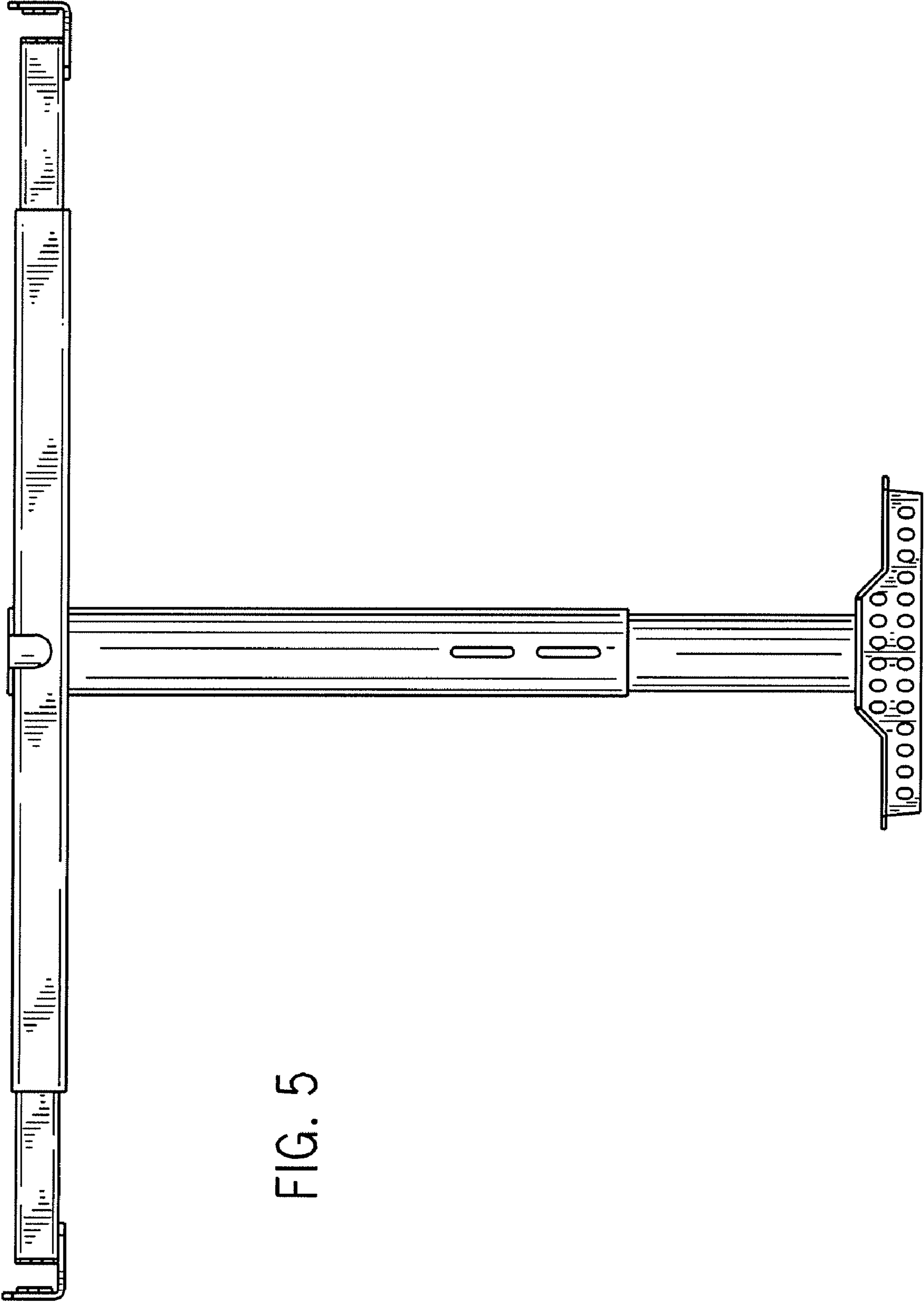


FIG. 5

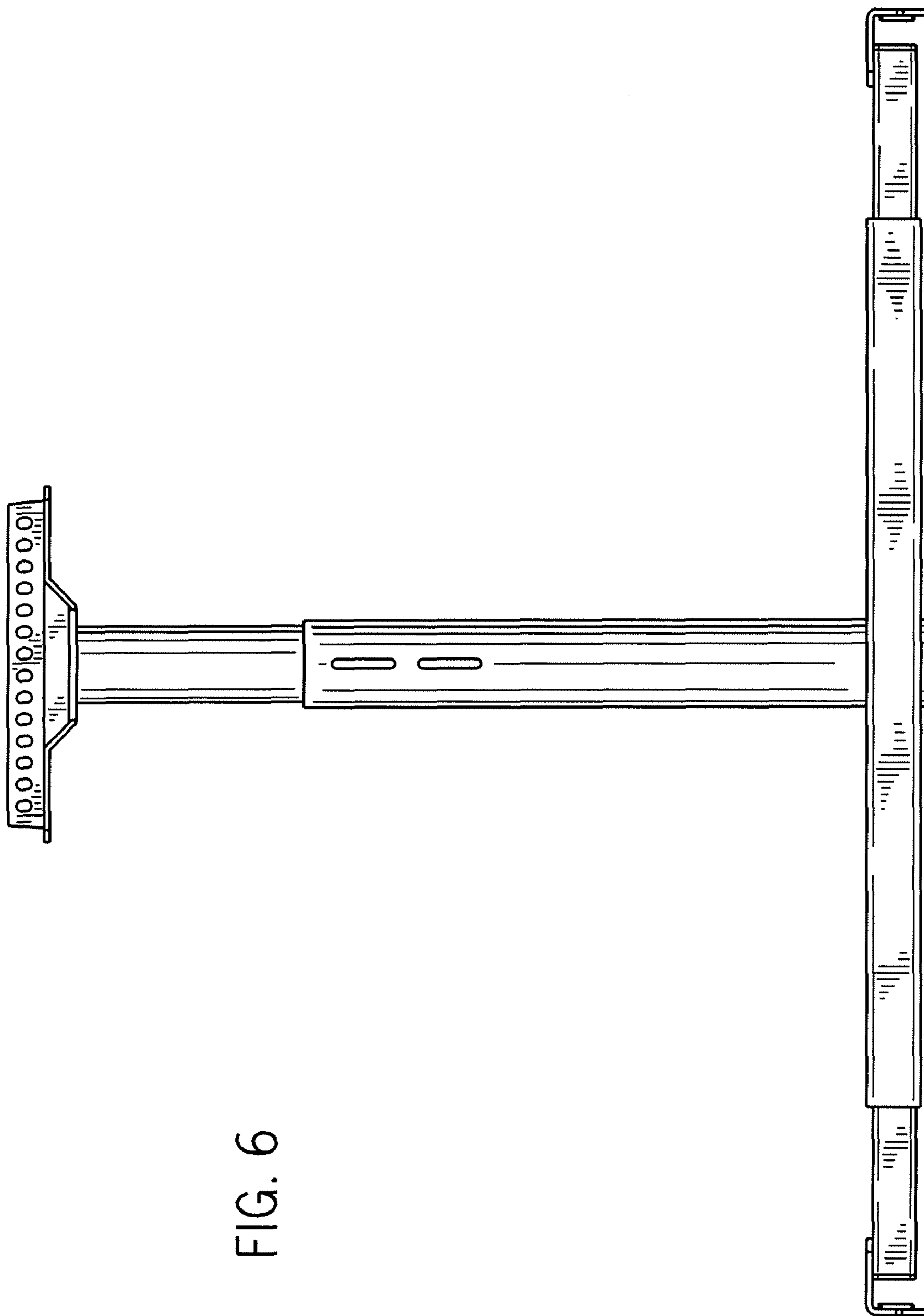


FIG. 6

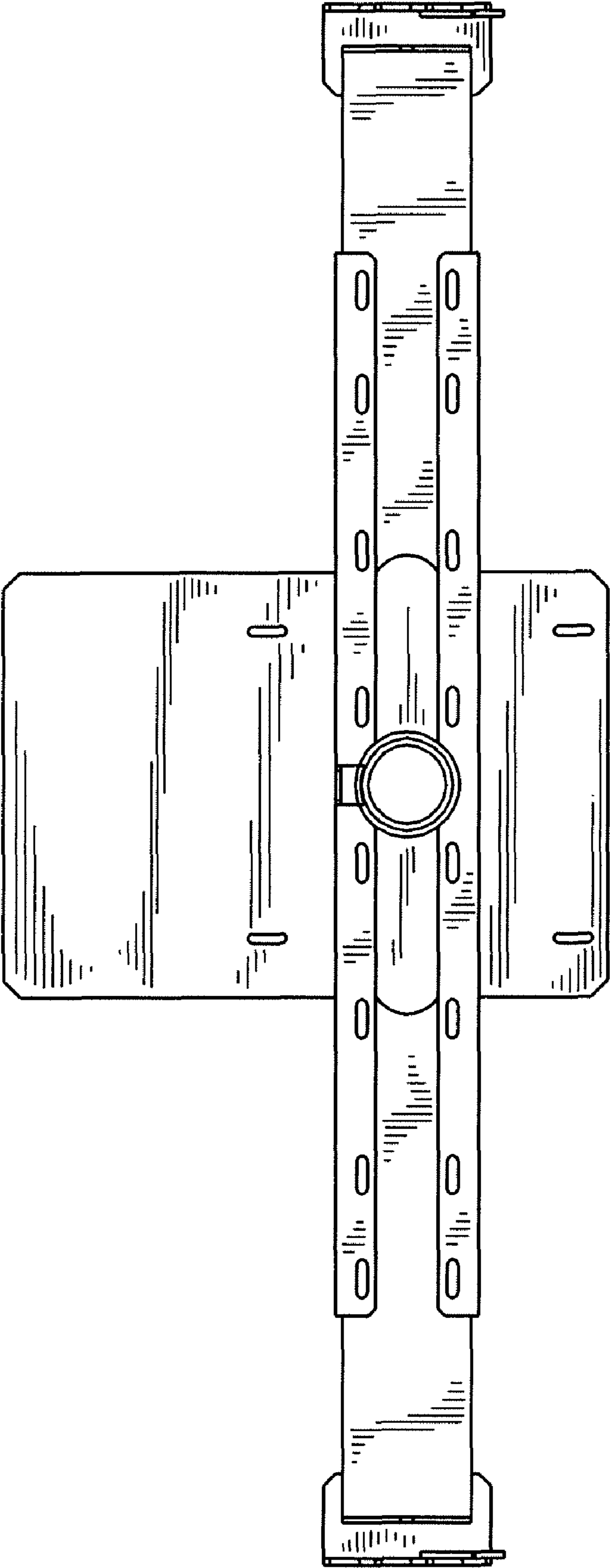


FIG. 7