



US00D634944S

(12) **United States Design Patent**
Walks

(10) **Patent No.:** **US D634,944 S**

(45) **Date of Patent:** **** Mar. 29, 2011**

(54) **JEWELRY BOX**

(76) **Inventor:** **Wanda Walks**, West Palm Beach, FL
(US)

(**) **Term:** **14 Years**

(21) **Appl. No.:** **29/341,523**

(22) **Filed:** **Aug. 6, 2009**

(51) **LOC (9) Cl.** **06-01**

(52) **U.S. Cl.** **D6/440; D6/470**

(58) **Field of Classification Search** D6/432,
D6/436, 437, 438, 439, 440, 445, 446, 447,
D6/448, 470; 312/114, 117, 201, 204, 227,
312/237, 257.1, 283; D3/294, 295, 296,
D3/297, 903

See application file for complete search history.

(56) **References Cited**

U.S. PATENT DOCUMENTS

1,242,916	A *	10/1917	Brooks	312/201
4,776,650	A	10/1988	Ferenzi		
D301,416	S *	6/1989	Powell	D6/440
D313,131	S *	12/1990	Ungaro	D6/446
4,984,854	A	1/1991	DeLavallade		
D314,291	S *	2/1991	Powell	D6/440

D319,153	S *	8/1991	Powell	D6/440
D319,155	S *	8/1991	Powell	D6/448
D320,317	S *	10/1991	Powell	D6/440
D322,525	S *	12/1991	Powell	D6/440
D368,583	S *	4/1996	Sharer et al.	D3/294
5,511,873	A	4/1996	Mech		
D385,434	S *	10/1997	Shih et al.	D6/440
6,857,519	B2	2/2005	Daetweiler et al.		
D528,840	S	9/2006	Greiner		
2005/0093405	A1	5/2005	Greiner		

* cited by examiner

Primary Examiner — Mimoso De

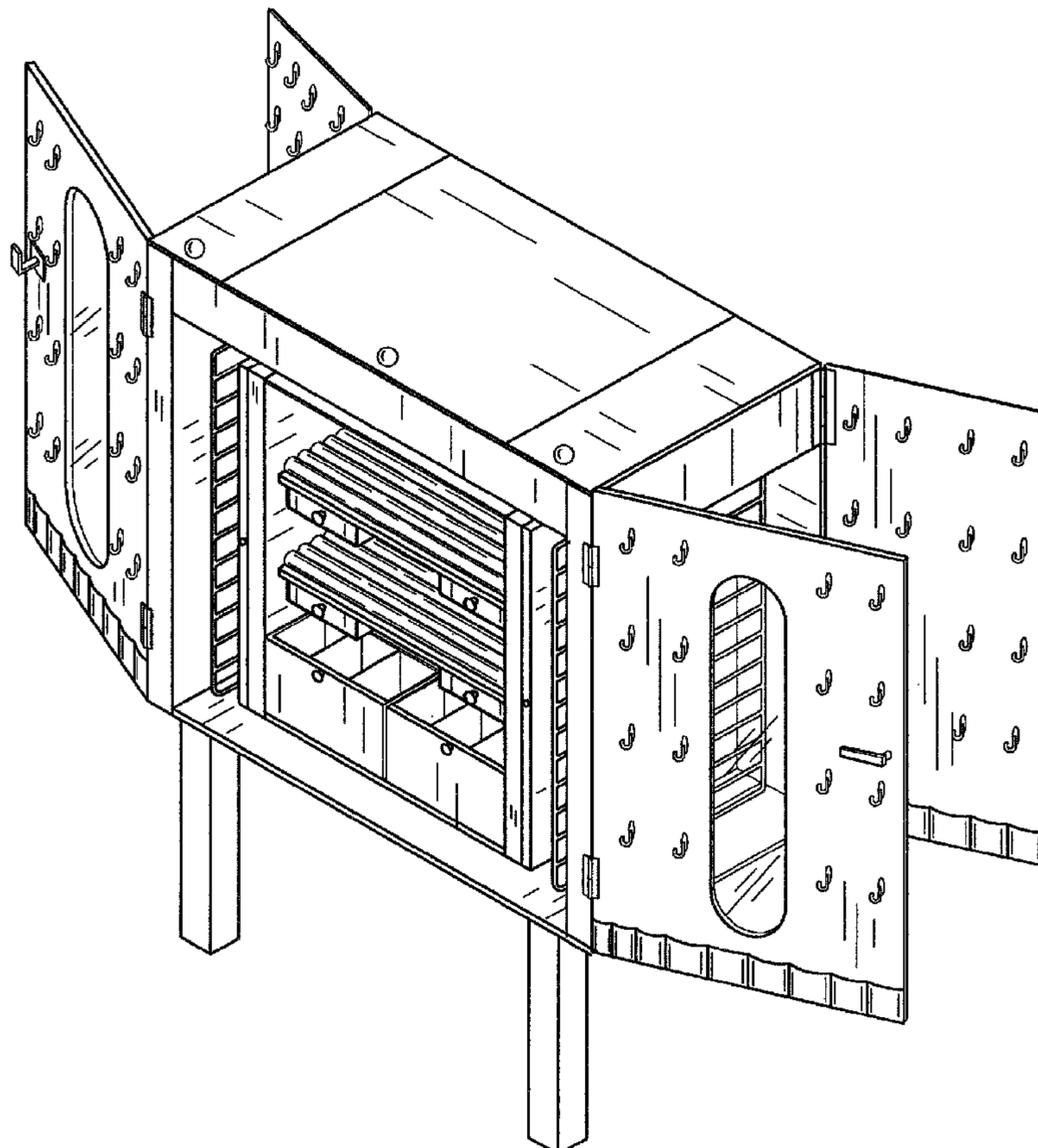
(57) **CLAIM**

The ornamental design for a jewelry box, as shown and described.

DESCRIPTION

FIG. 1 is a perspective view of a jewelry box showing my new design;
FIG. 2 is a front view thereof;
FIG. 3 is a back view thereof;
FIG. 4 is a side view thereof;
FIG. 5 is an opposite side view;
FIG. 6 is a top view thereof; and,
FIG. 7 is a bottom view thereof.

1 Claim, 7 Drawing Sheets



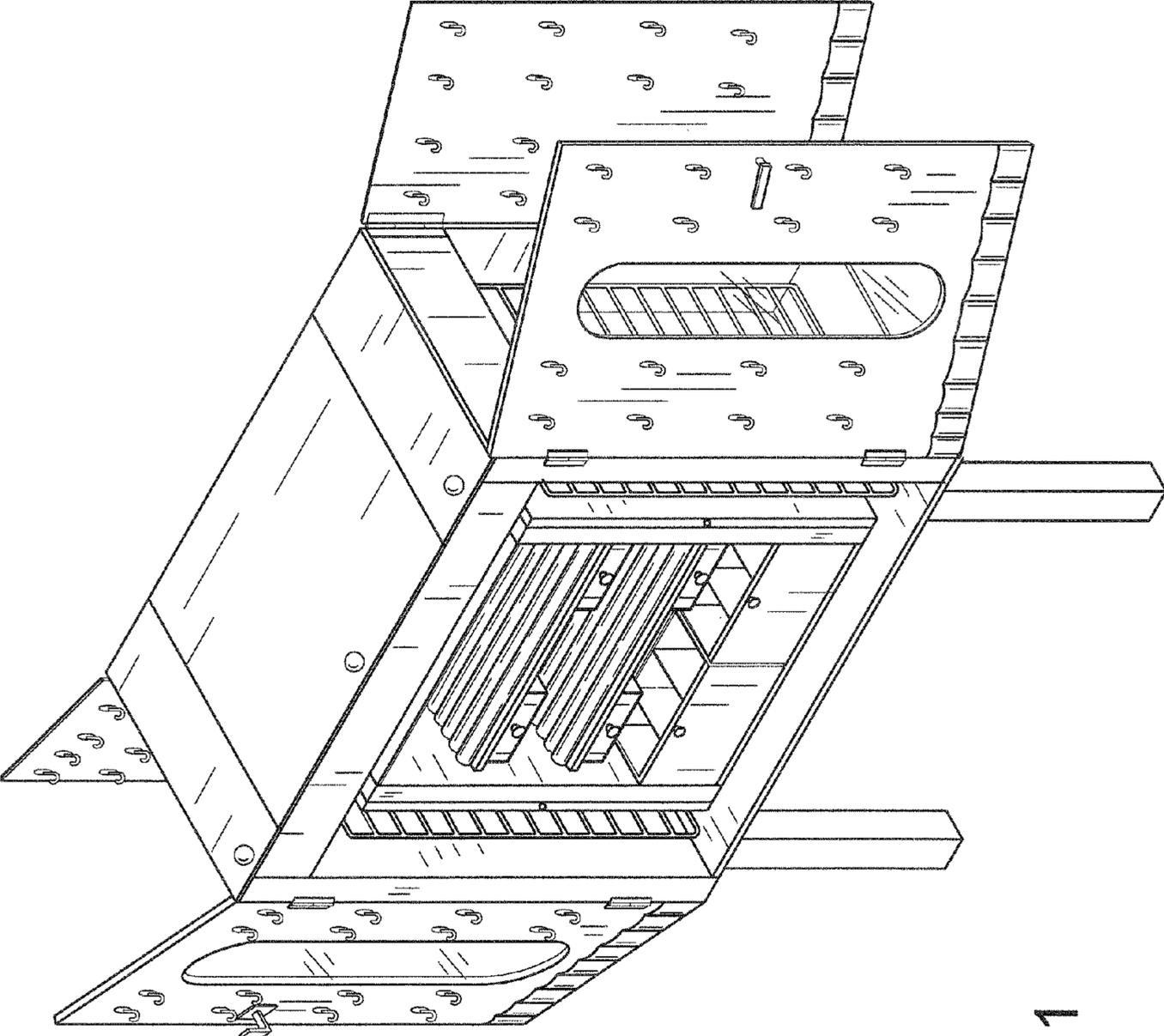


FIG. 1

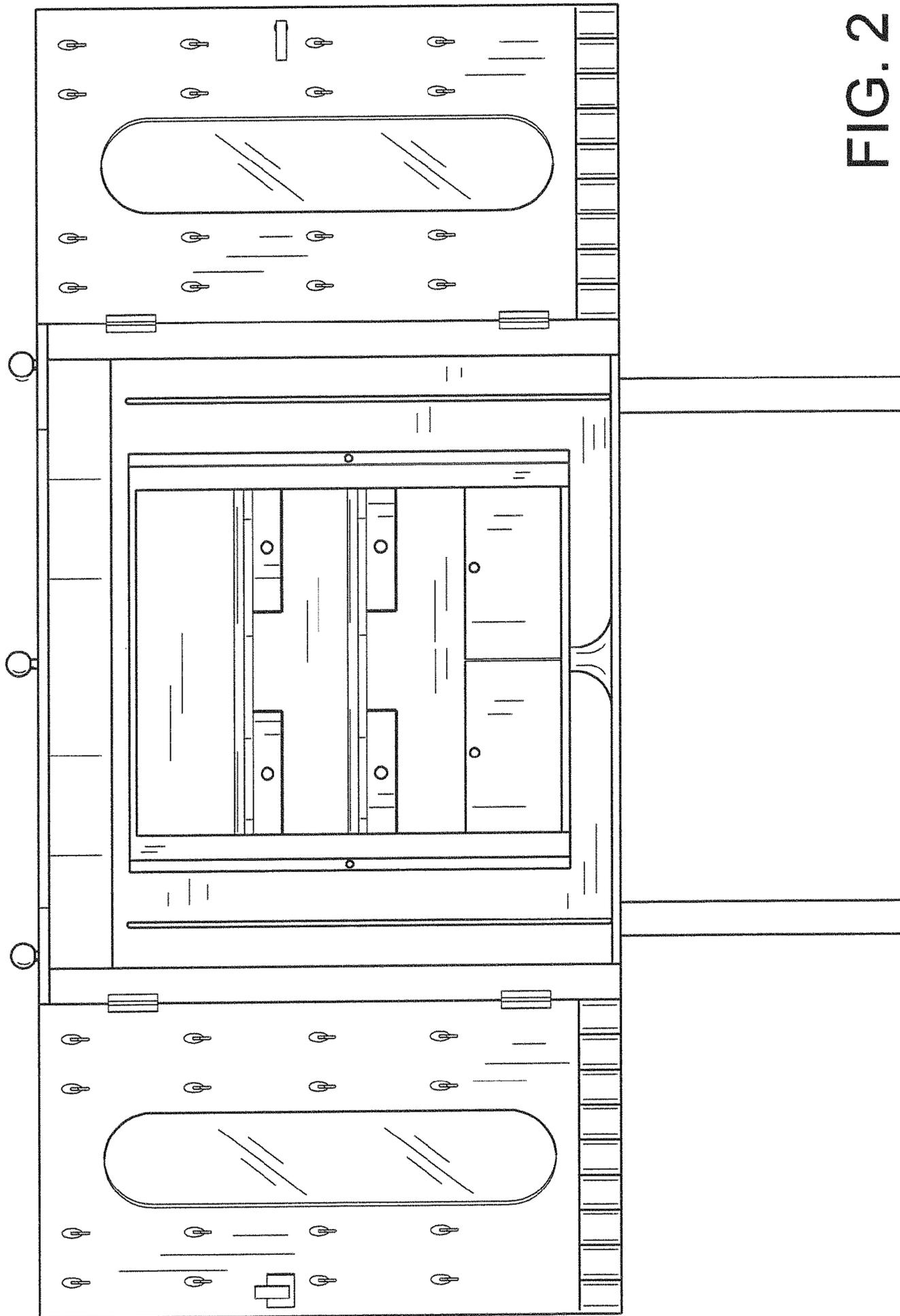


FIG. 2

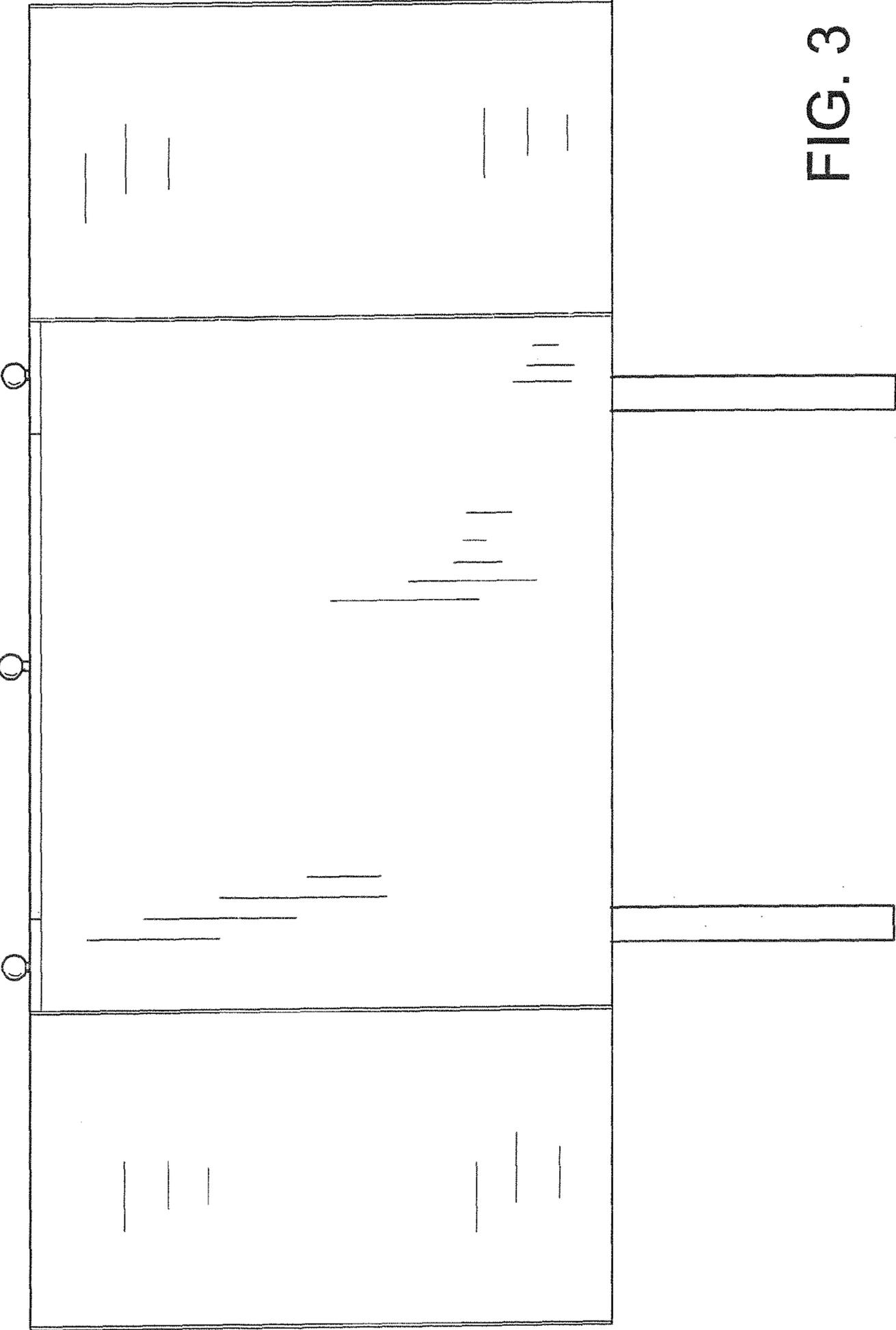


FIG. 3

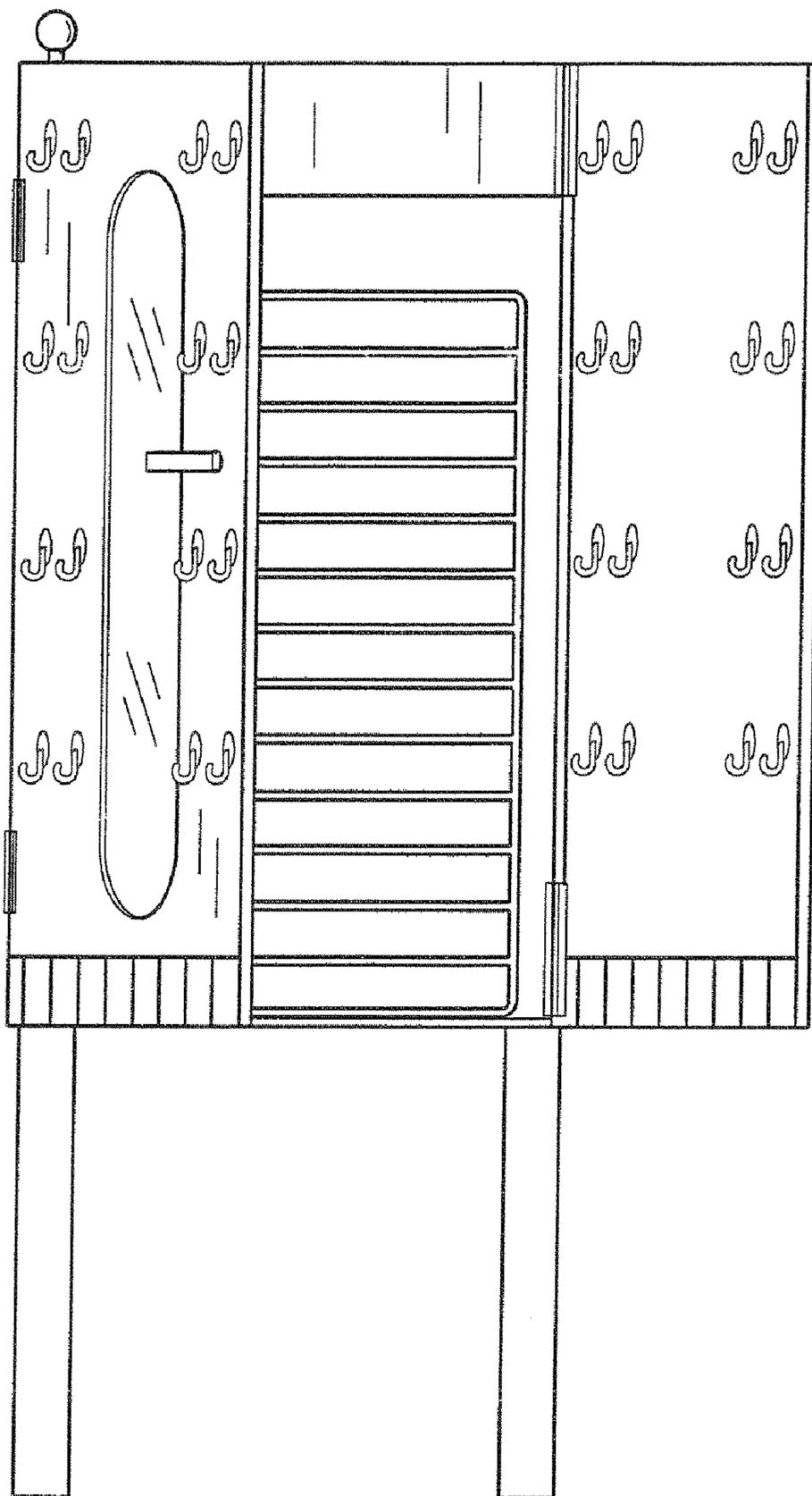


FIG. 4

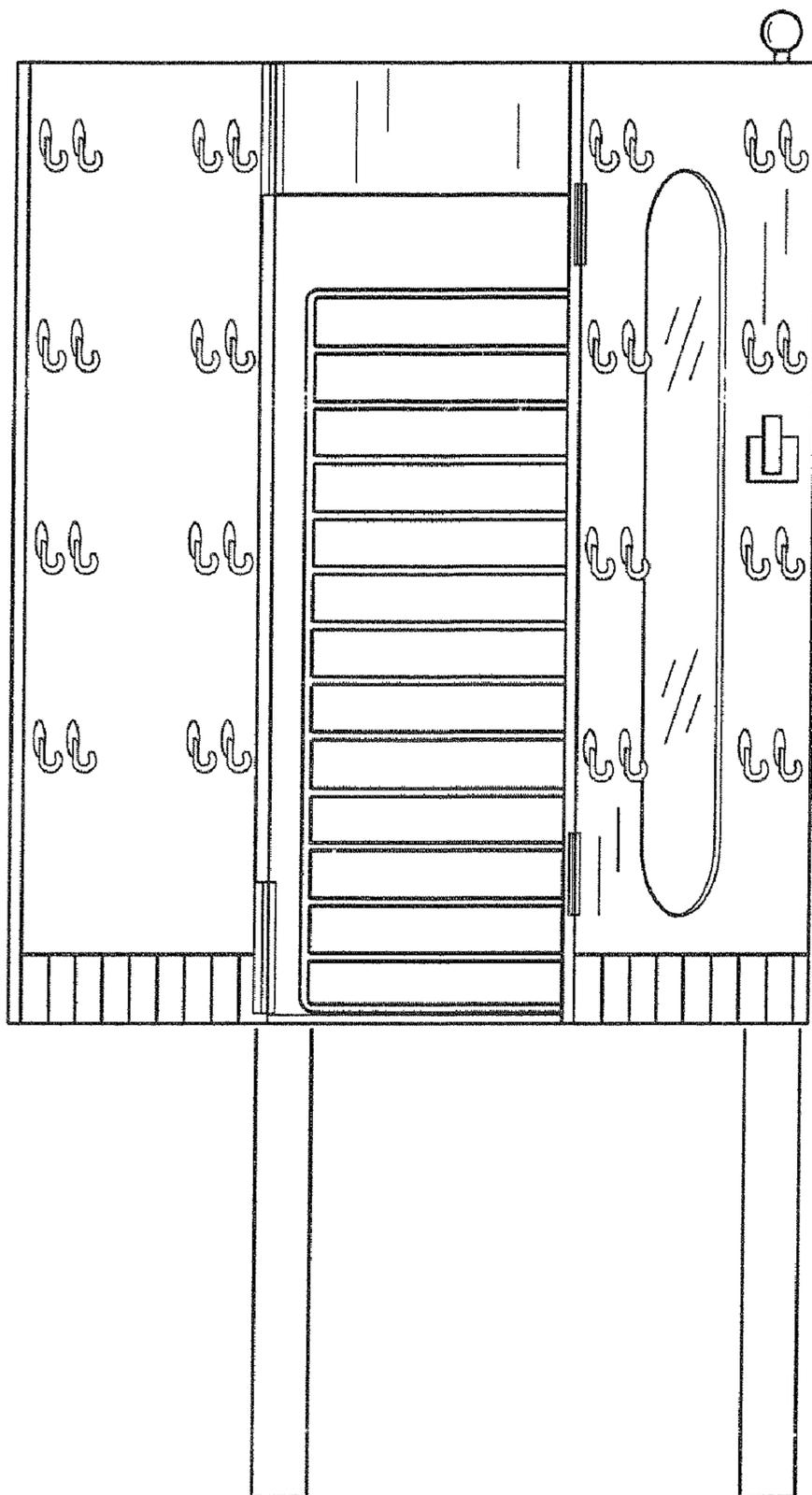


FIG. 5

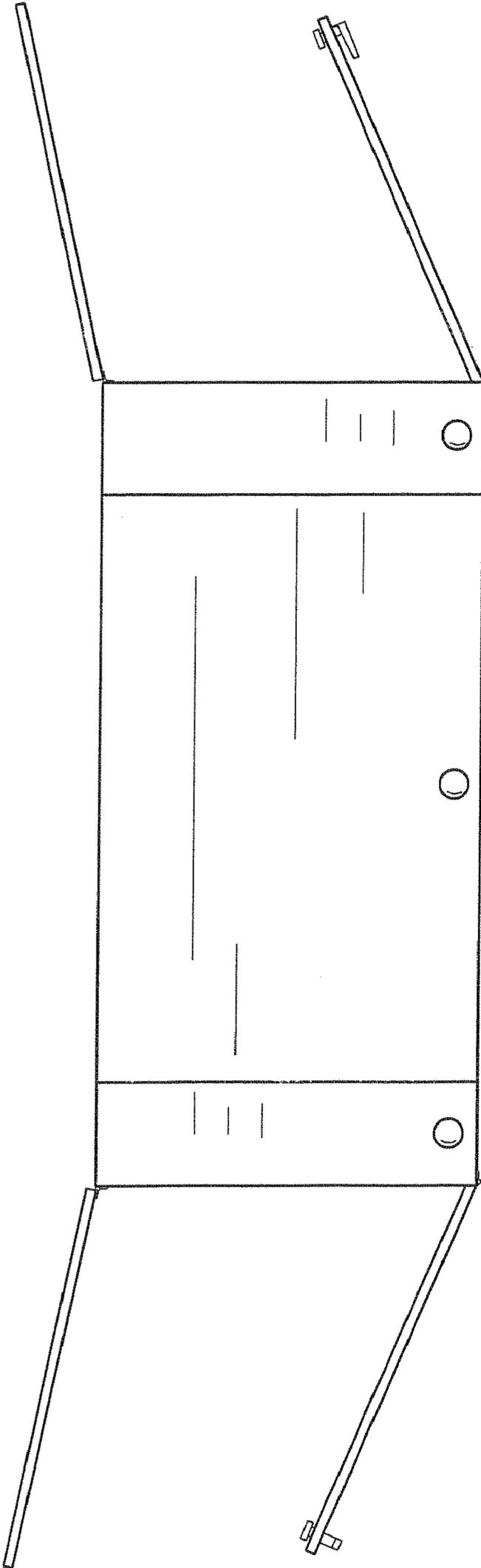


FIG. 6

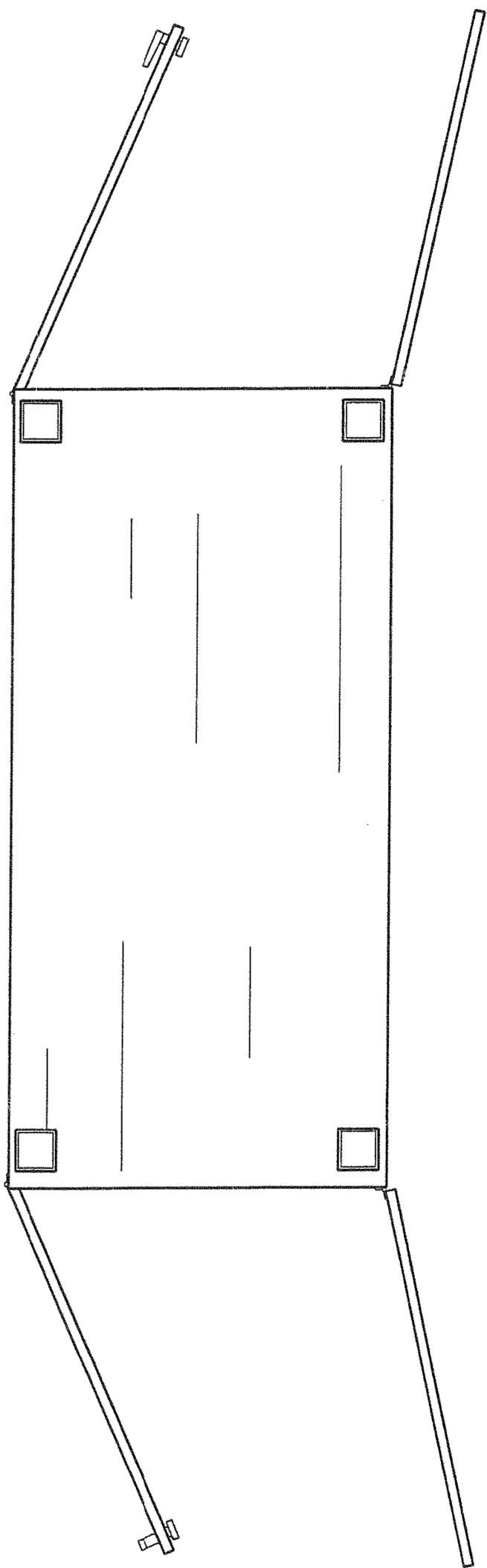


FIG. 7