



US00D634943S

(12) **United States Design Patent**
Nielsen

(10) **Patent No.:** **US D634,943 S**
(45) **Date of Patent:** **** Mar. 29, 2011**

(54) **STORAGE TRAY FOR MULTIMEDIA ITEMS**

(75) Inventor: **Britta Claire Nielsen**, Seattle, WA (US)

(73) Assignee: **Slam Brands, Inc.**, Redmond, WA (US)

(**) Term: **14 Years**

(21) Appl. No.: **29/362,850**

(22) Filed: **Jun. 1, 2010**

(51) **LOC (9) Cl.** **06-04**

(52) **U.S. Cl.** **D6/407; D6/510**

(58) **Field of Classification Search** D6/407,
D6/510, 626-635, 406.3; D19/26, 27, 65,
D19/75, 77, 78, 81, 83, 86, 981, 92, 95, 99,
D19/100; 206/307, 307.1, 308.1, 309, 311,
206/312, 313, 310, 751, 373, 562, 563, 214,
206/371; 211/69.1, 69.9, 10, 11, 13.1, 45,
211/50; D3/273, 294, 295, 299-301, 303,
D3/304

See application file for complete search history.

(56) **References Cited**

U.S. PATENT DOCUMENTS

D308,699 S *	6/1990	Ancona et al.	D19/75
D323,532 S *	1/1992	Evenson	D19/75
D330,219 S *	10/1992	Carlson et al.	D19/77
D333,842 S *	3/1993	Kirchner	D19/78
D421,554 S *	3/2000	Govrik et al.	D7/637
6,467,622 B1 *	10/2002	Hull	206/553

D478,810 S *	8/2003	Wilson	D9/732
D579,698 S *	11/2008	Nielsen	D6/510
D581,186 S *	11/2008	Nielsen	D6/457
D583,599 S *	12/2008	Nielsen	D6/510
D584,083 S *	1/2009	Nielsen	D6/510
D585,683 S *	2/2009	Nielsen	D6/510
D586,596 S *	2/2009	Nielsen	D6/510
D604,072 S *	11/2009	Nielsen	D6/510
2009/0065375 A1 *	3/2009	Winters et al.	206/38

* cited by examiner

Primary Examiner — T. Chase Nelson

(74) *Attorney, Agent, or Firm* — Turocy & Watson, LLP

(57) **CLAIM**

The ornamental design for the storage tray for multimedia items, as shown and described.

DESCRIPTION

FIG. 1 is a first perspective view of a design for the storage tray for multimedia items;

FIG. 2 is a second perspective view of the design therefor;

FIG. 3 is a top plan view of the design therefor;

FIG. 4 is a bottom plan view of the design therefor;

FIG. 5 is a first side view of the design therefor;

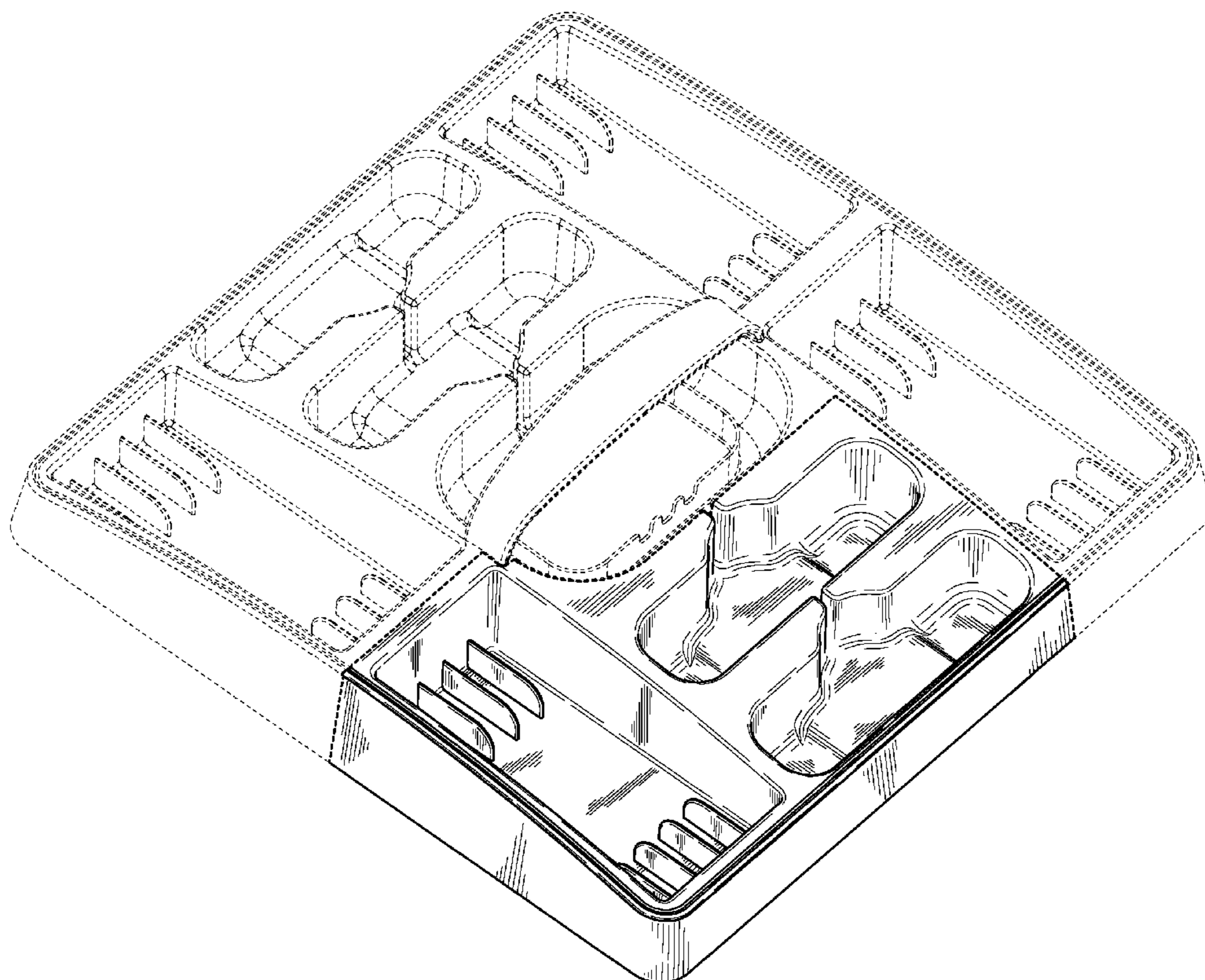
FIG. 6 is a second side view of the design therefor, opposite the first side view;

FIG. 7 is a third side view of the design therefor; and,

FIG. 8 is a fourth side view of the design therefor, opposite the third side view.

The dashed lines in the drawings are shown for environmental purposes and form no part of the claimed design.

1 Claim, 5 Drawing Sheets



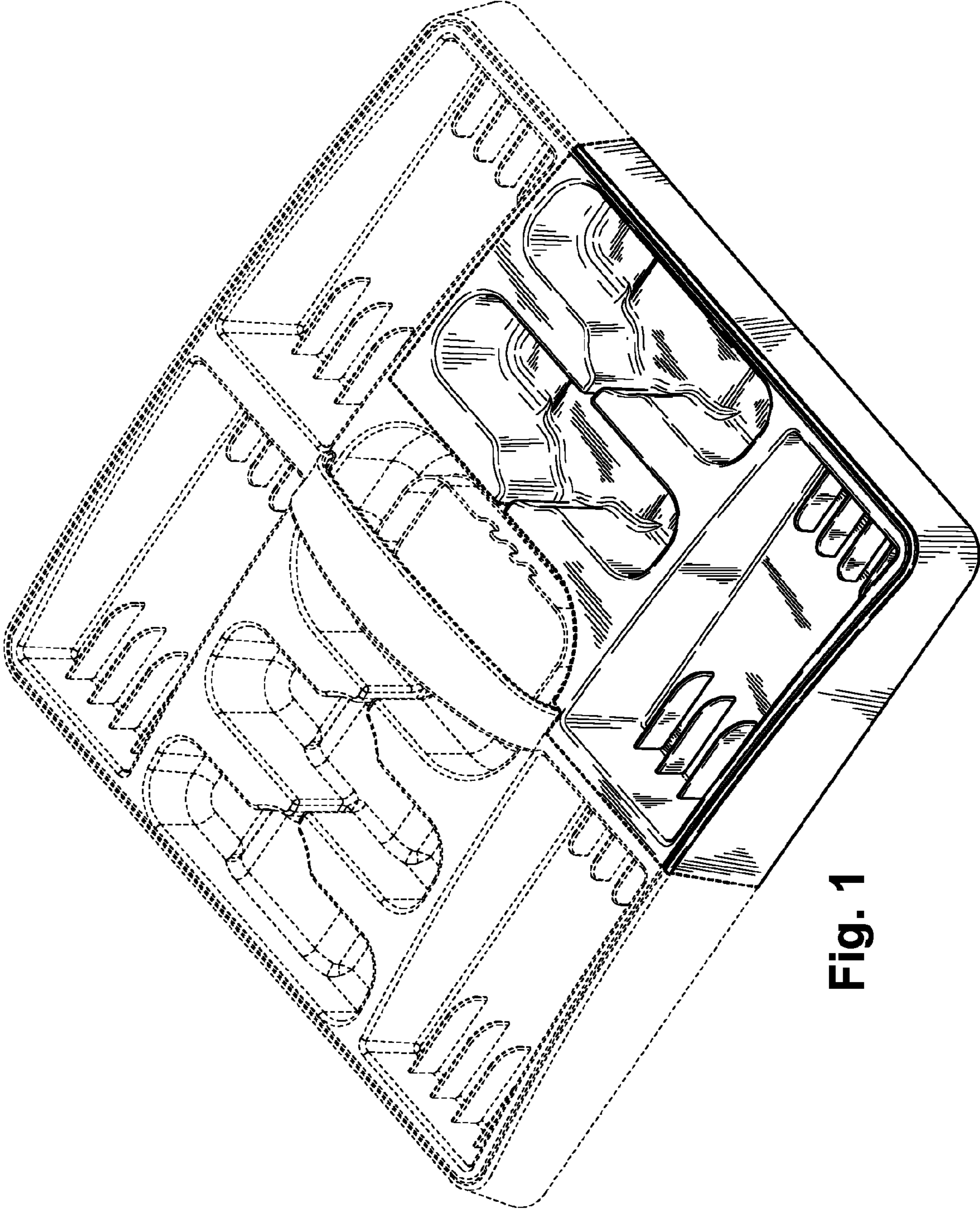


Fig. 1

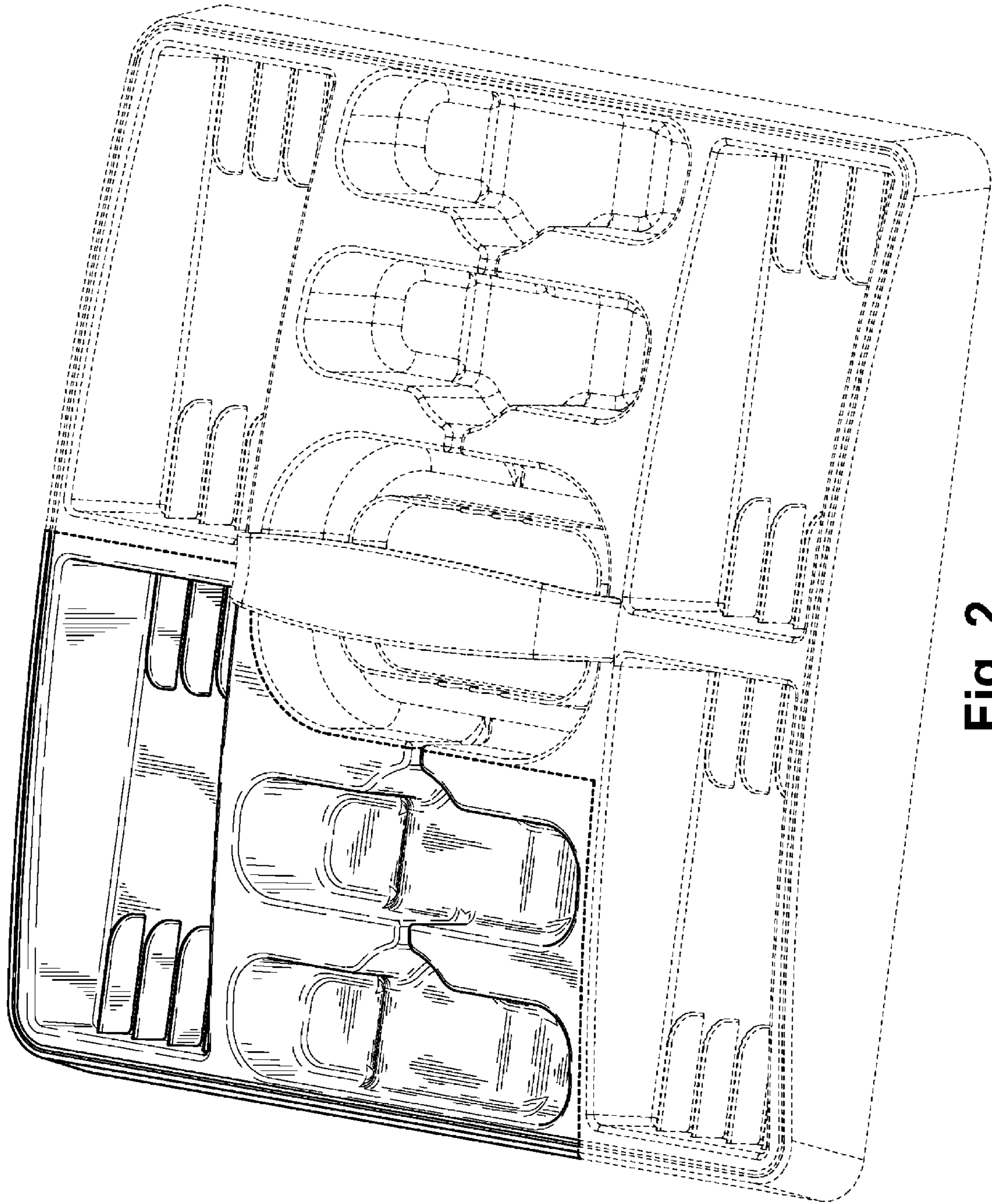


Fig. 2

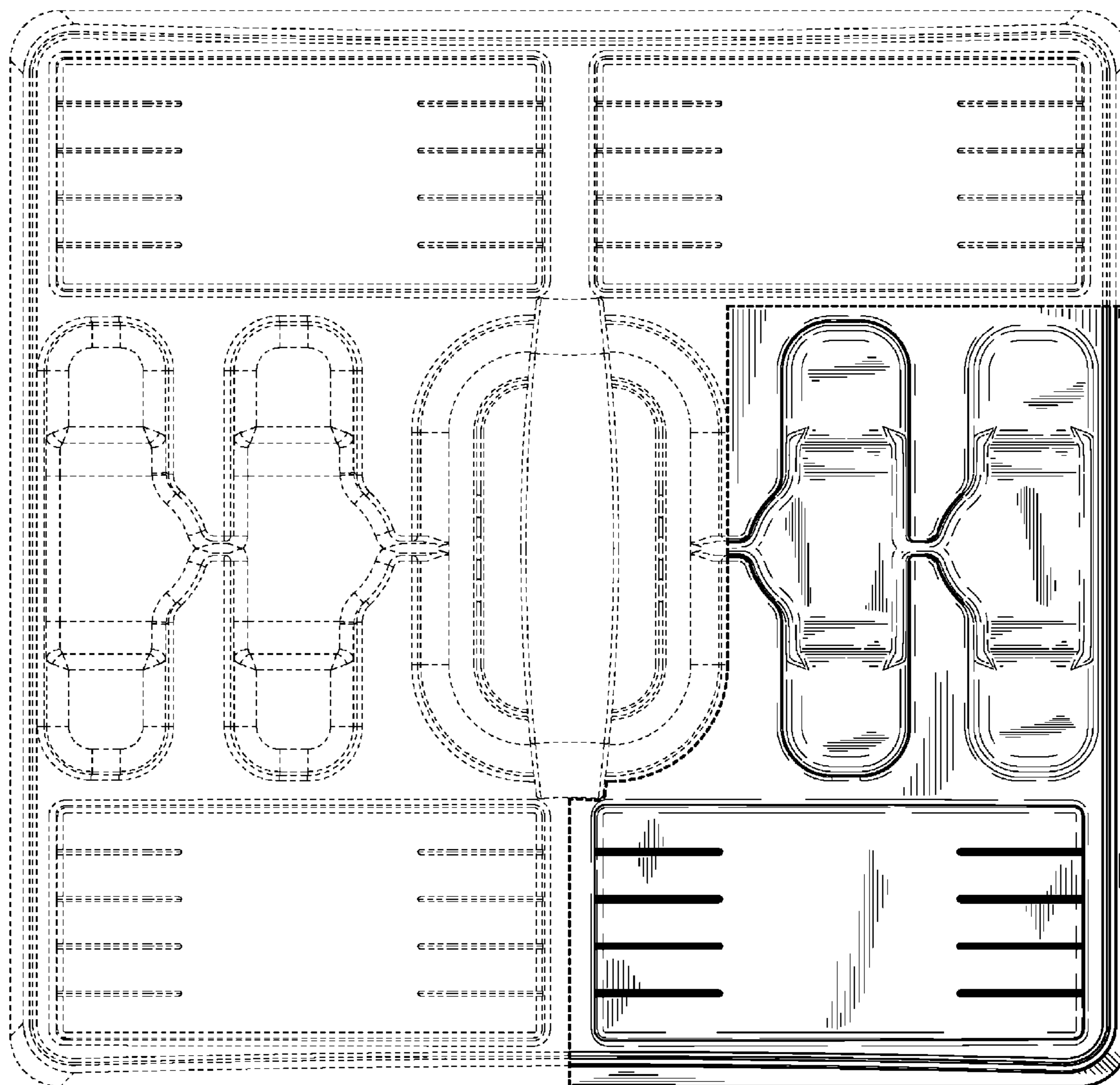


Fig. 3

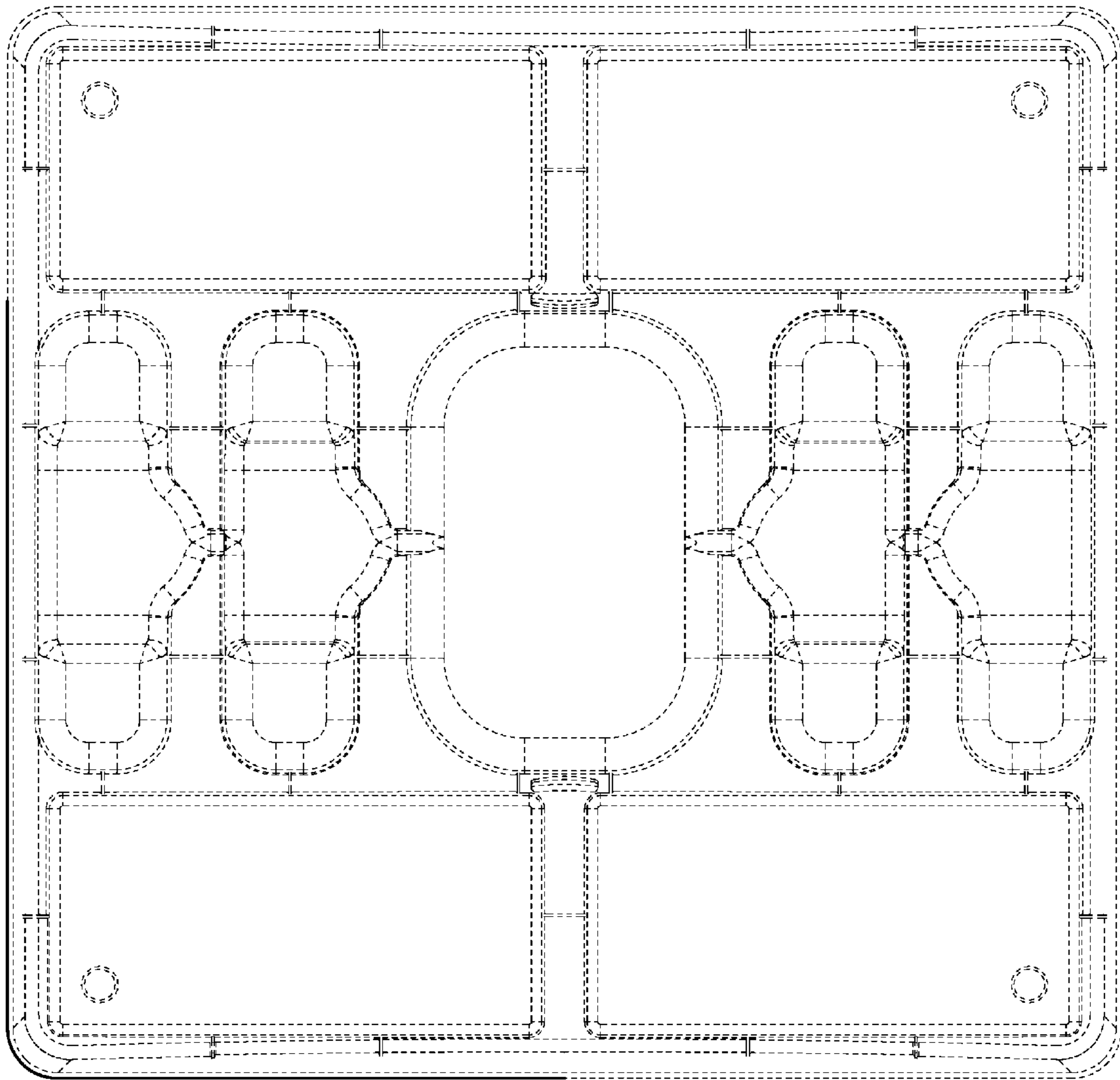


Fig. 4

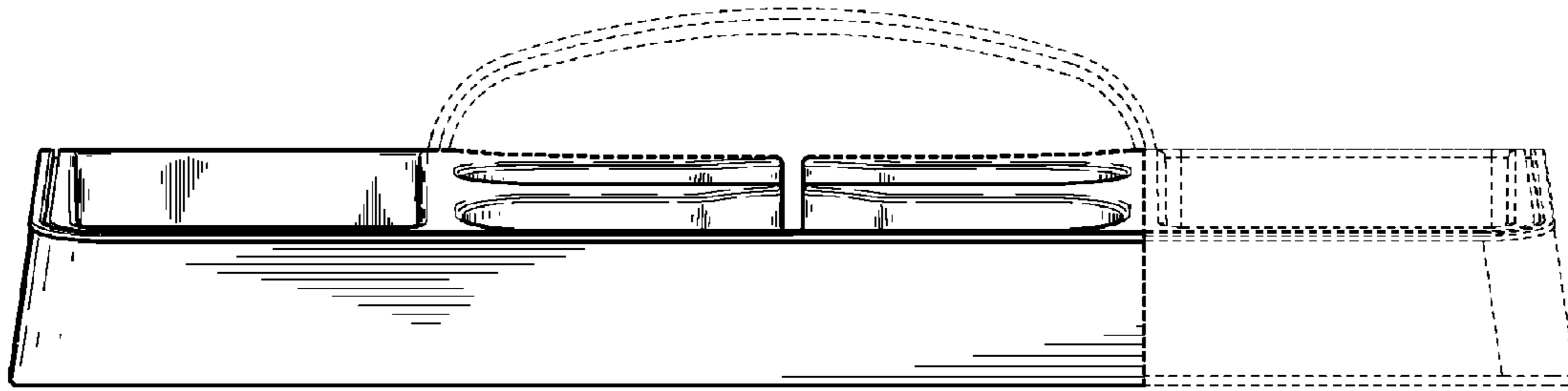


Fig. 5

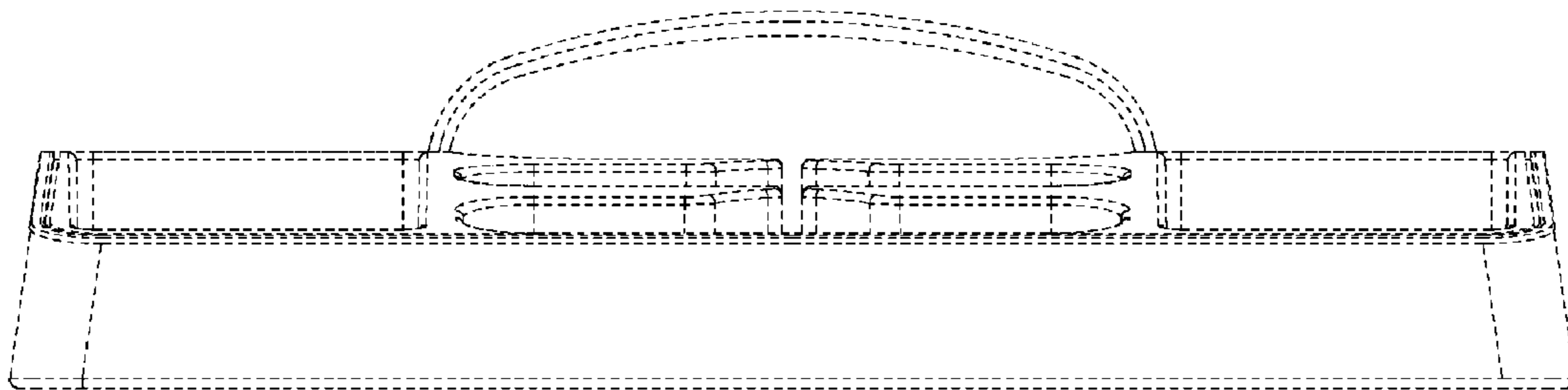


Fig. 6

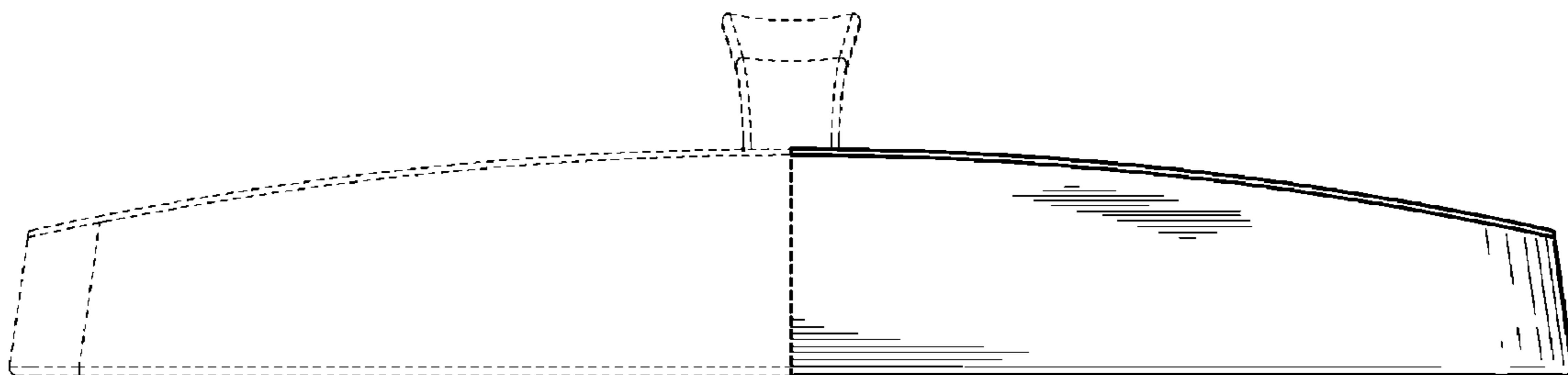


Fig. 7

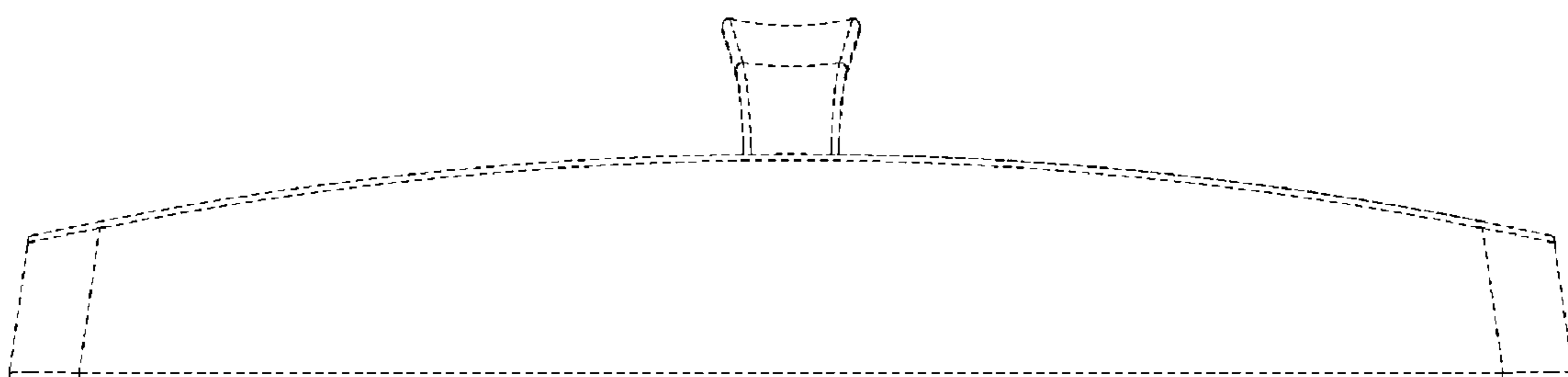


Fig. 8