

US00D634938S

(12) **United States Design Patent**
Guindi

(10) **Patent No.:** **US D634,938 S**

(45) **Date of Patent:** **** Mar. 29, 2011**

(54) **OVER DOOR RACK**

(75) Inventor: **Henry V. Guindi**, Brooklyn, NY (US)

(73) Assignee: **HDS Trading Corp**, North Brunswick, NJ (US)

(**) Term: **14 Years**

(21) Appl. No.: **29/344,408**

(22) Filed: **Sep. 29, 2009**

(51) **LOC (9) Cl.** **06-08**

(52) **U.S. Cl.** **D6/323**

(58) **Field of Classification Search** D6/315,
D6/320, 323, 513, 566, 572; 223/85-98;
248/302, 303, 309, 339; 211/1, 13.1, 85.3,
211/86.01, 113, 118, 183; D8/349, 367,
D8/370, 372

See application file for complete search history.

(56) **References Cited**

U.S. PATENT DOCUMENTS

D295,344 S *	4/1988	Pryor et al.	D6/323
D324,783 S *	3/1992	Greenhut et al.	D6/323
D355,841 S *	2/1995	Goodman et al.	D8/372
D461,650 S *	8/2002	Goodman et al.	D6/513

D461,706 S *	8/2002	Goodman et al.	D8/372
D465,406 S *	11/2002	Goodman et al.	D8/372
D465,998 S *	11/2002	Goodman et al.	D8/372
D479,796 S *	9/2003	Snell	D8/372
D484,345 S *	12/2003	Clucas	D6/572
D555,366 S *	11/2007	Goodman et al.	D6/323
D610,815 S *	3/2010	Goodman et al.	D6/320

* cited by examiner

Primary Examiner — Shanda C Hill

(74) *Attorney, Agent, or Firm* — Rankin, Hill & Clark LLP

(57) **CLAIM**

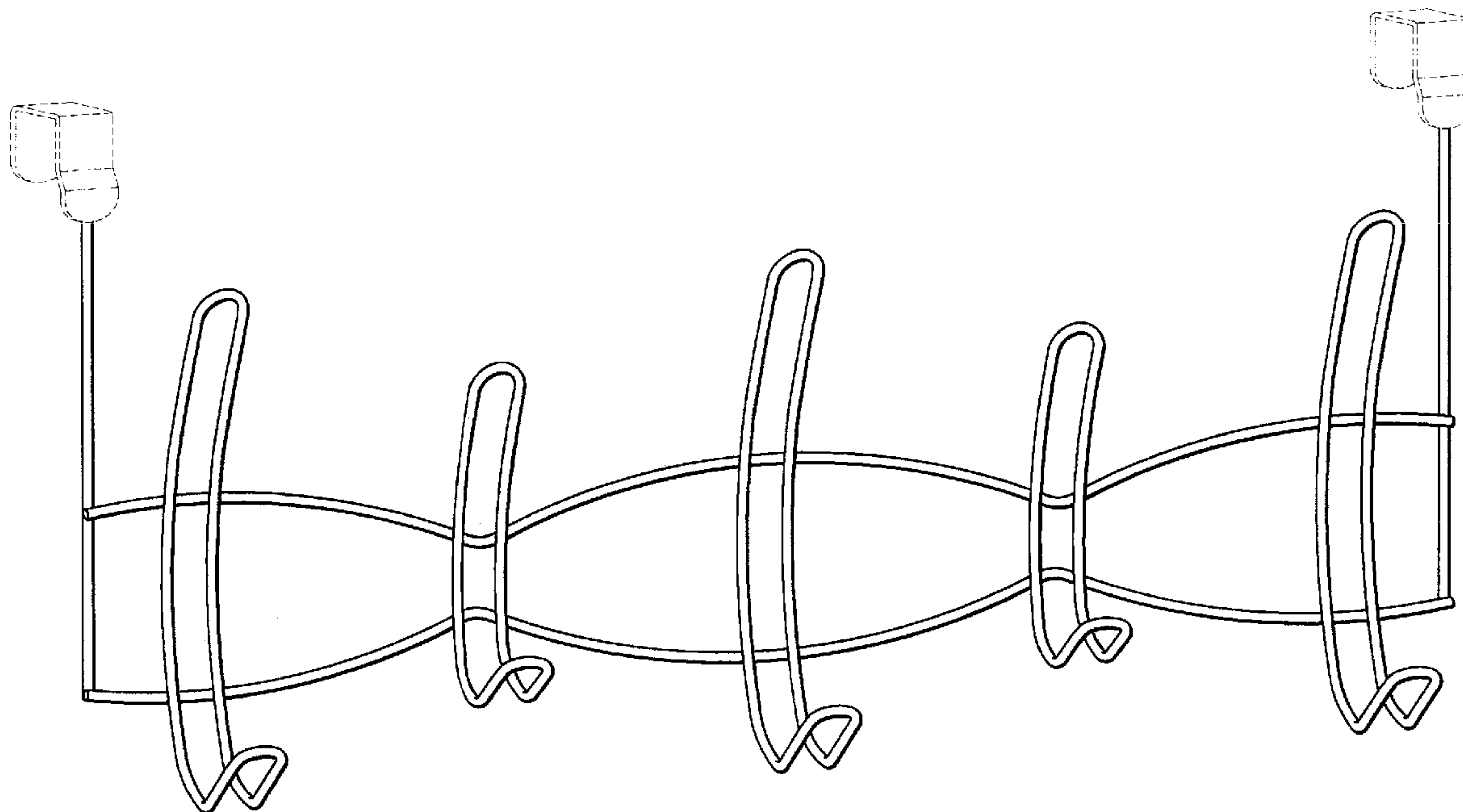
The ornamental design for an over door rack, as shown and described.

DESCRIPTION

FIG. 1 is a front, left perspective view of an over door rack; FIG. 2 is a front elevational view of FIG. 1; FIG. 3 is a left side elevational view of FIG. 1; FIG. 4 is a rear elevational view of FIG. 1; FIG. 5 is a top plan view of FIG. 1; and, FIG. 6 is a bottom plan view of FIG. 1.

The broken lines shown in the drawing disclosure are for illustrative purposes only and form no part of the claimed design.

1 Claim, 5 Drawing Sheets



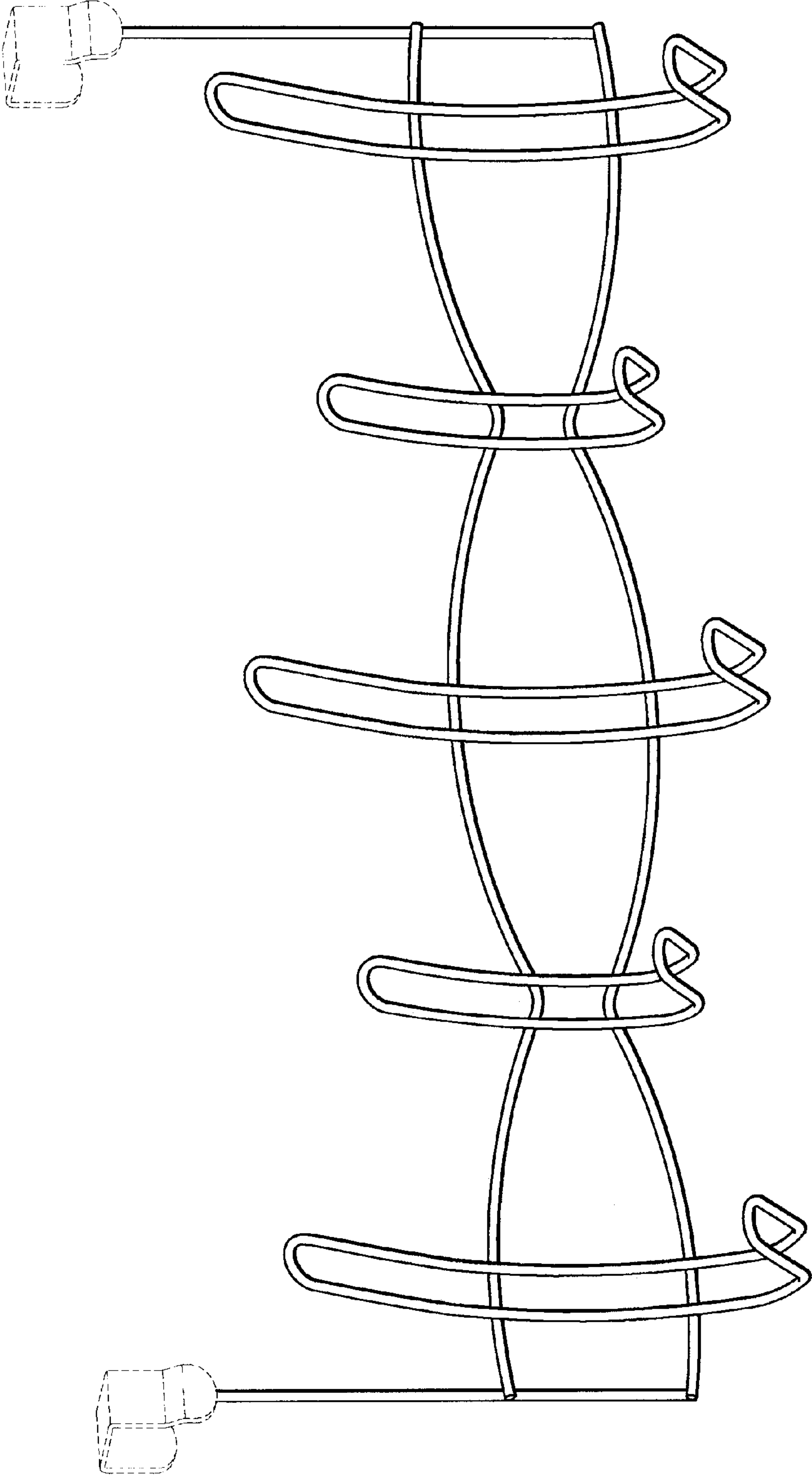


FIG. 1

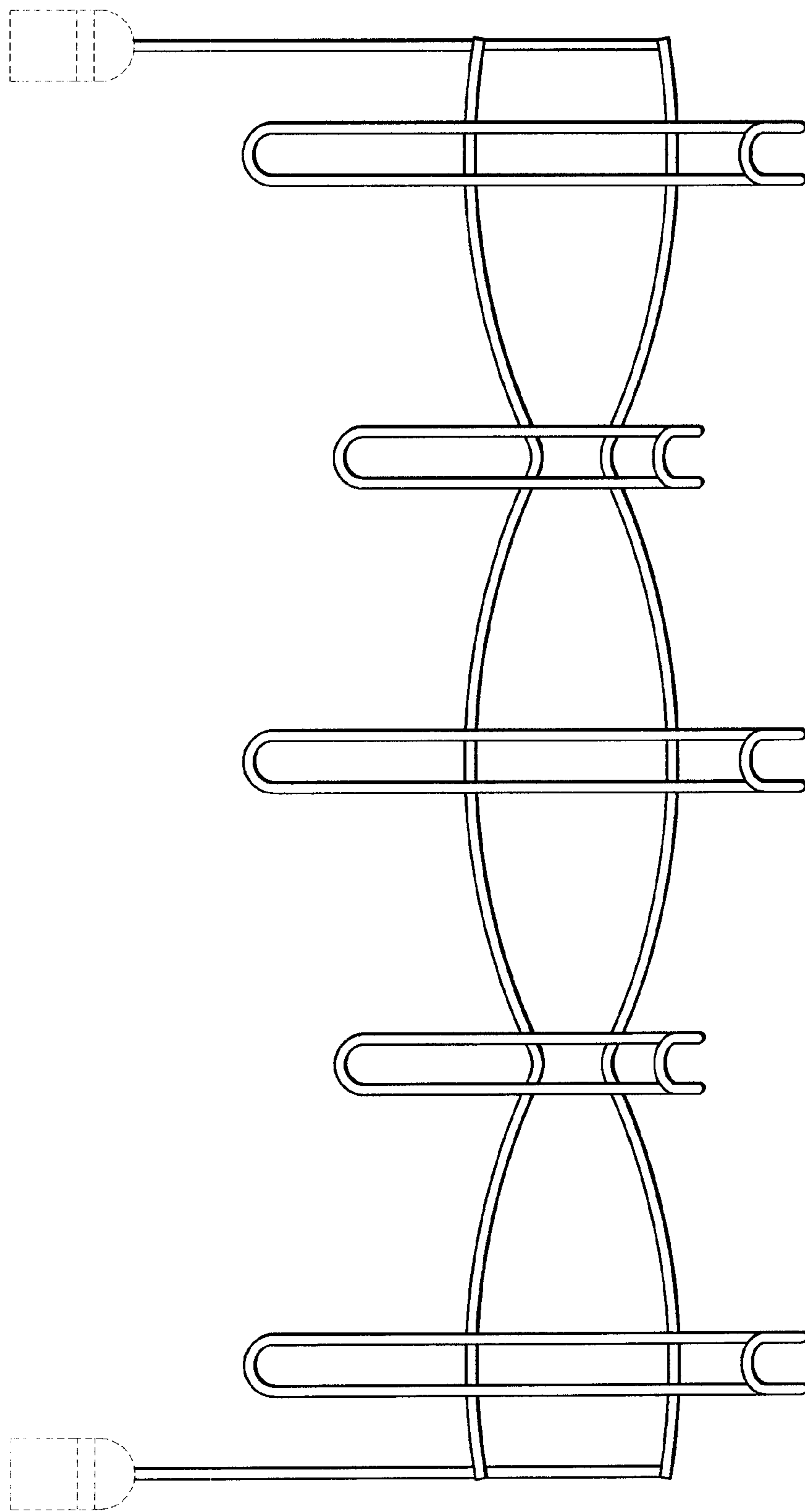
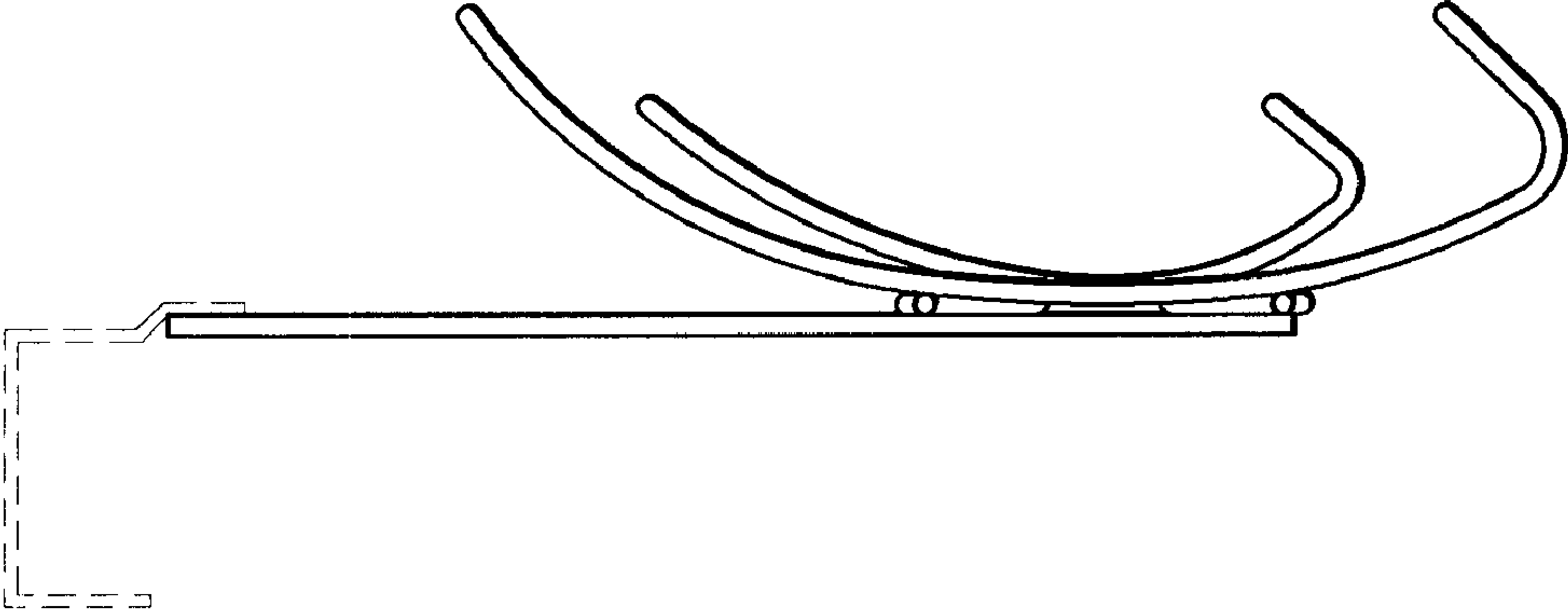


FIG. 2

FIG. 3



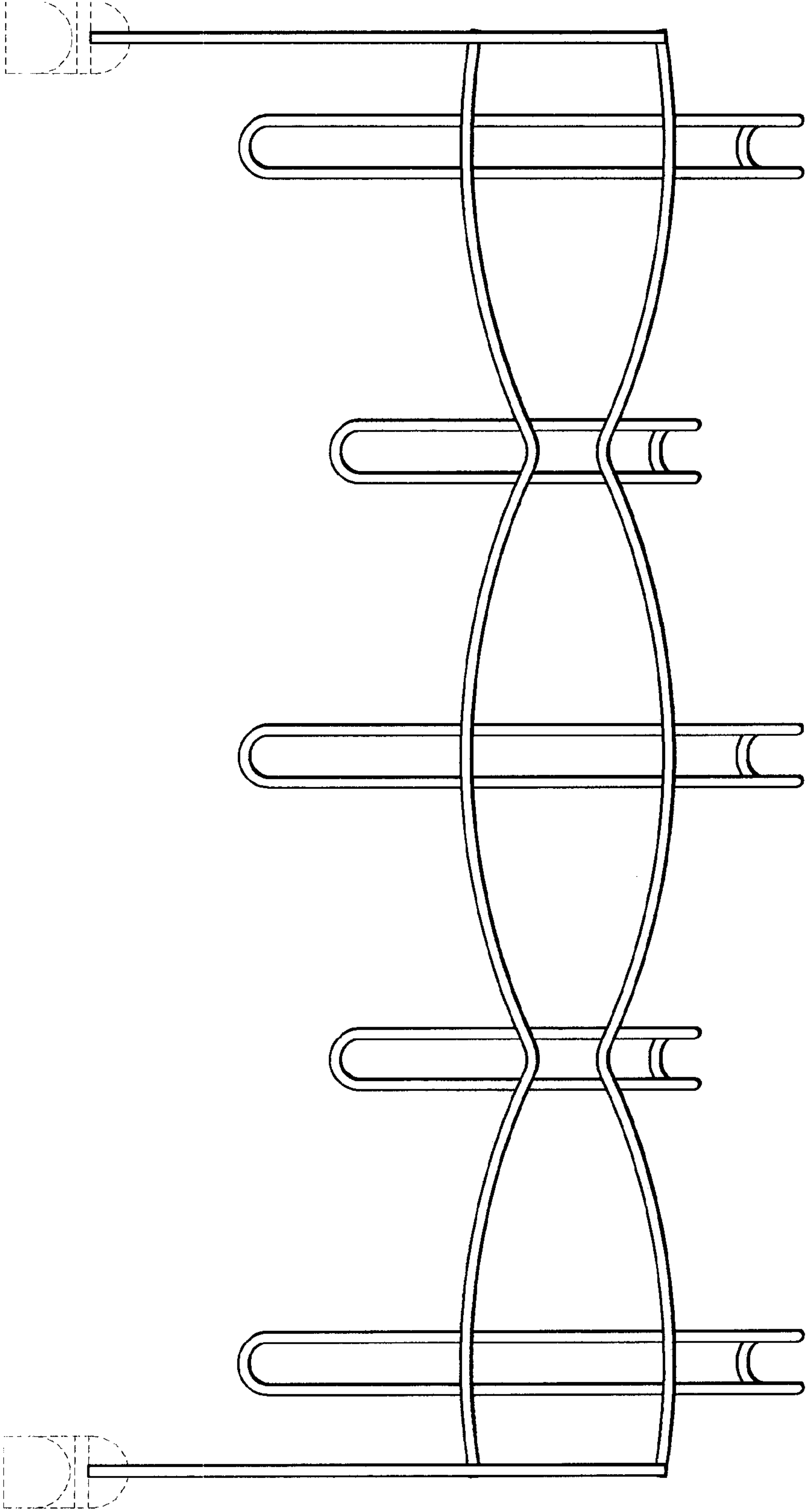


FIG. 4

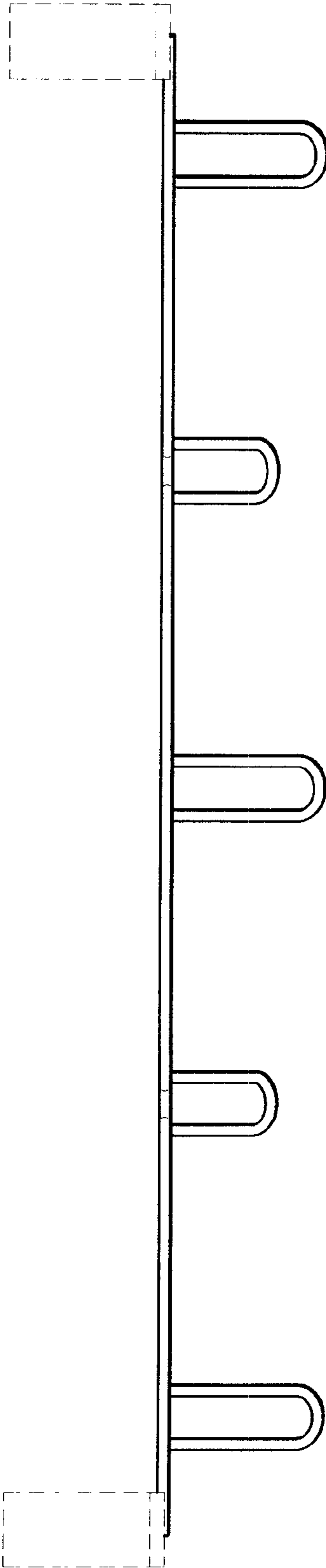


FIG. 5

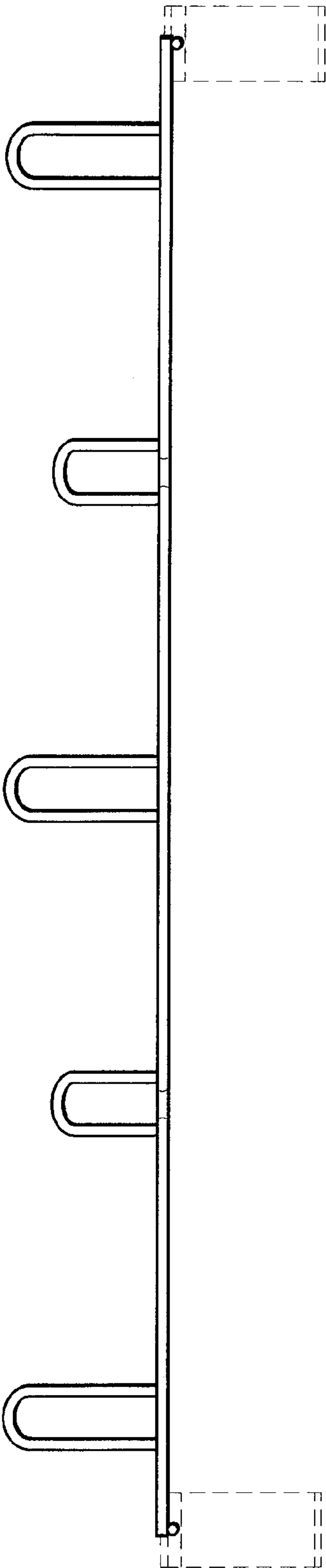


FIG. 6