



US00D634935S

(12) **United States Design Patent**
Kobke

(10) **Patent No.:** **US D634,935 S**
(45) **Date of Patent:** **** Mar. 29, 2011**

(54) **HAIR DYE BRUSH**

(76) Inventor: **Sven Kobke**, Ratzburg (DE)

(**) Term: **14 Years**

(21) Appl. No.: **29/367,115**

(22) Filed: **Aug. 3, 2010**

(30) **Foreign Application Priority Data**

Feb. 3, 2010 (EM) 001665191

(51) **LOC (9) Cl.** **04-02**

(52) **U.S. Cl.** **D4/116; D4/135**

(58) **Field of Classification Search** D4/132,
D4/135, 138; D28/7, 20, 28, 31; 15/143.1,
15/159.1, 160, 166, 191.1, 193; 132/120,
132/150, 208, 212, 270, 313

See application file for complete search history.

(56) **References Cited**

U.S. PATENT DOCUMENTS

D255,845 S *	7/1980	Wood	D4/132
D268,225 S	3/1983	Ellenson		
D338,341 S *	8/1993	Colon et al.	D4/117
5,499,637 A	3/1996	Foti		
5,507,063 A	4/1996	Hirsch		
D405,614 S	2/1999	Geardino et al.		
6,062,230 A	5/2000	Kajgana		
6,062,231 A	5/2000	De Laforcade		
6,092,535 A	7/2000	Moore		
6,240,928 B1	6/2001	DaSilva		
D466,306 S	12/2002	Skwarek et al.		
D481,168 S *	10/2003	Shannon	D28/25
D490,185 S	5/2004	Hegner et al.		
D505,269 S *	5/2005	Cheung	D4/135

D539,954 S	4/2007	Kipry et al.
2002/0124858 A1	9/2002	Nelson
2003/0034043 A1	2/2003	Anselmo
2004/0000318 A1	1/2004	McNamara
2006/0096608 A1	5/2006	Fridolph

FOREIGN PATENT DOCUMENTS

EM	000018270-0001	7/2003
EM	000261334-0001	2/2005
EM	000431986-0001	12/2005
EM	000876933-0001	2/2008
EM	001009260-0001	10/2008
EM	001009260-0002	10/2008
FR	1566990 A	5/1969
WO	DM/053524	12/2000
WO	DM/066589	11/2005
WO	DM/067720	10/2006

* cited by examiner

Primary Examiner — Melanie H Tung
Assistant Examiner — Lavone D Tabor

(74) *Attorney, Agent, or Firm* — Vidas, Arrett * Steinkraus

(57) **CLAIM**

The ornamental design for a hair dye brush, as shown and described.

DESCRIPTION

FIG. 1 is a perspective view of the hair dye brush
FIG. 2 is a front view of the hair dye brush
FIG. 3 is a back view of the hair dye brush
FIG. 4 is a left side view of the hair dye brush
FIG. 5 is a right side view of the hair dye brush
FIG. 6 is a top view of the hair dye brush; and,
FIG. 7 is a bottom view of the hair dye brush.

1 Claim, 7 Drawing Sheets

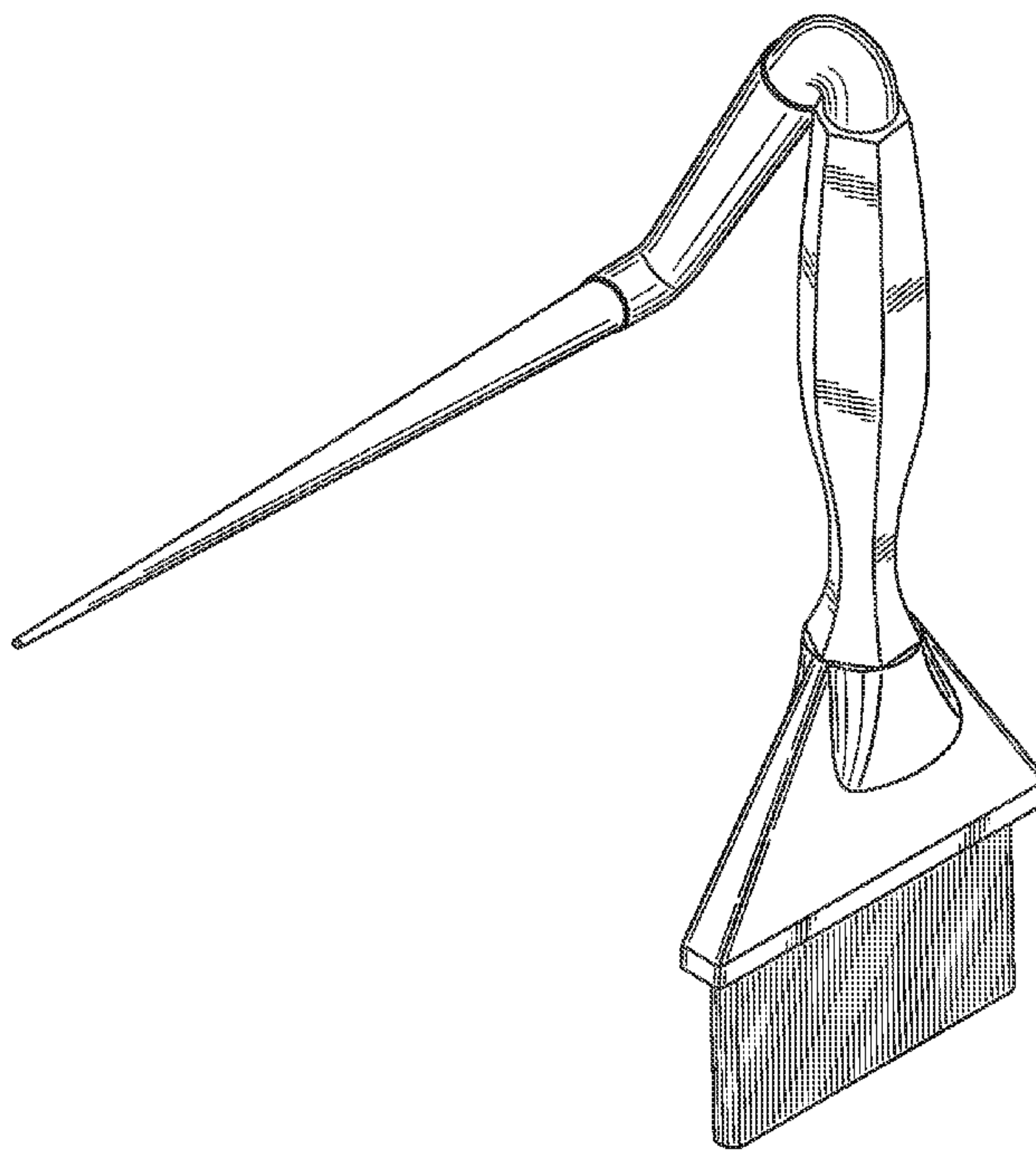


FIG. 1

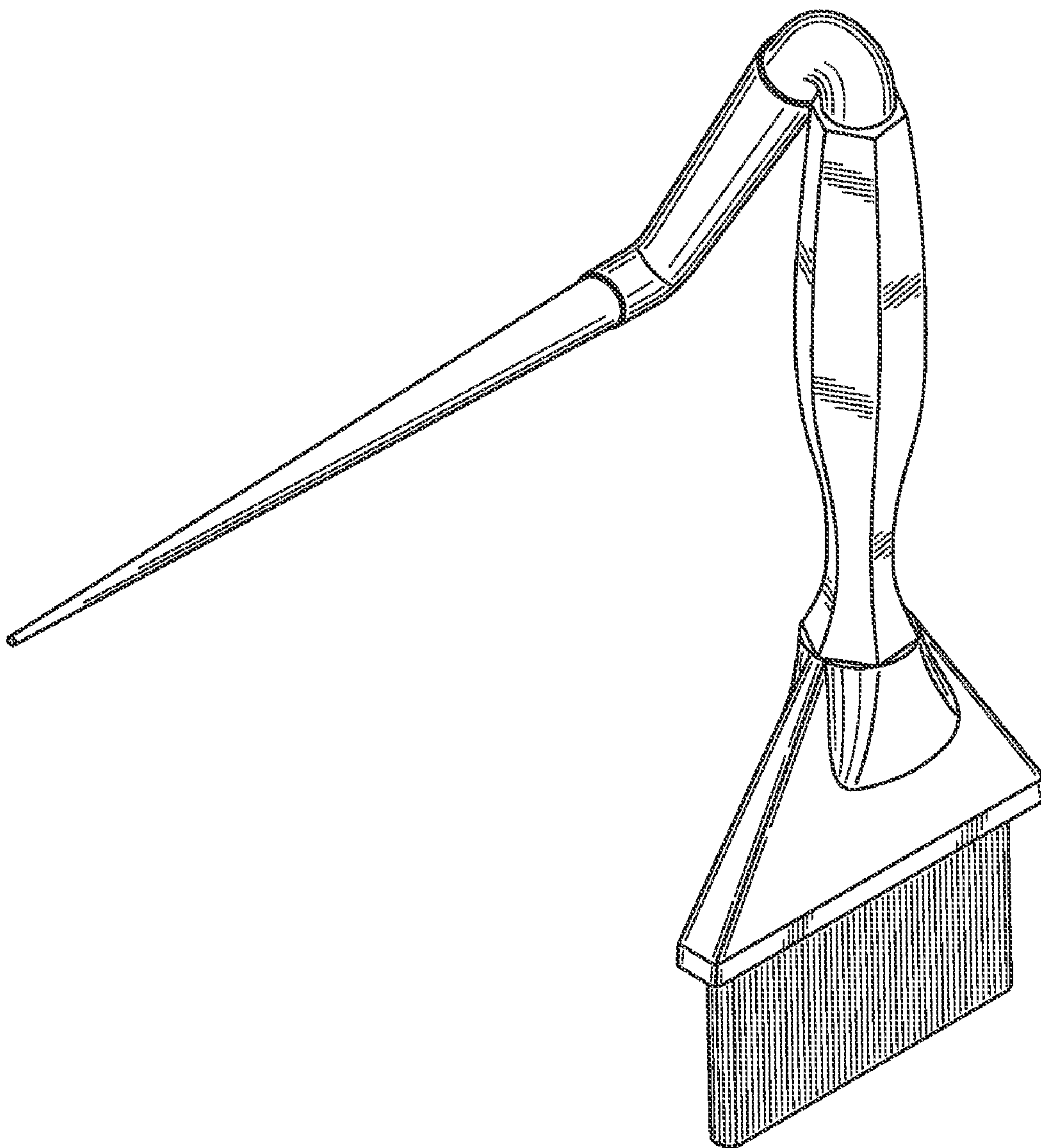


Fig. 2

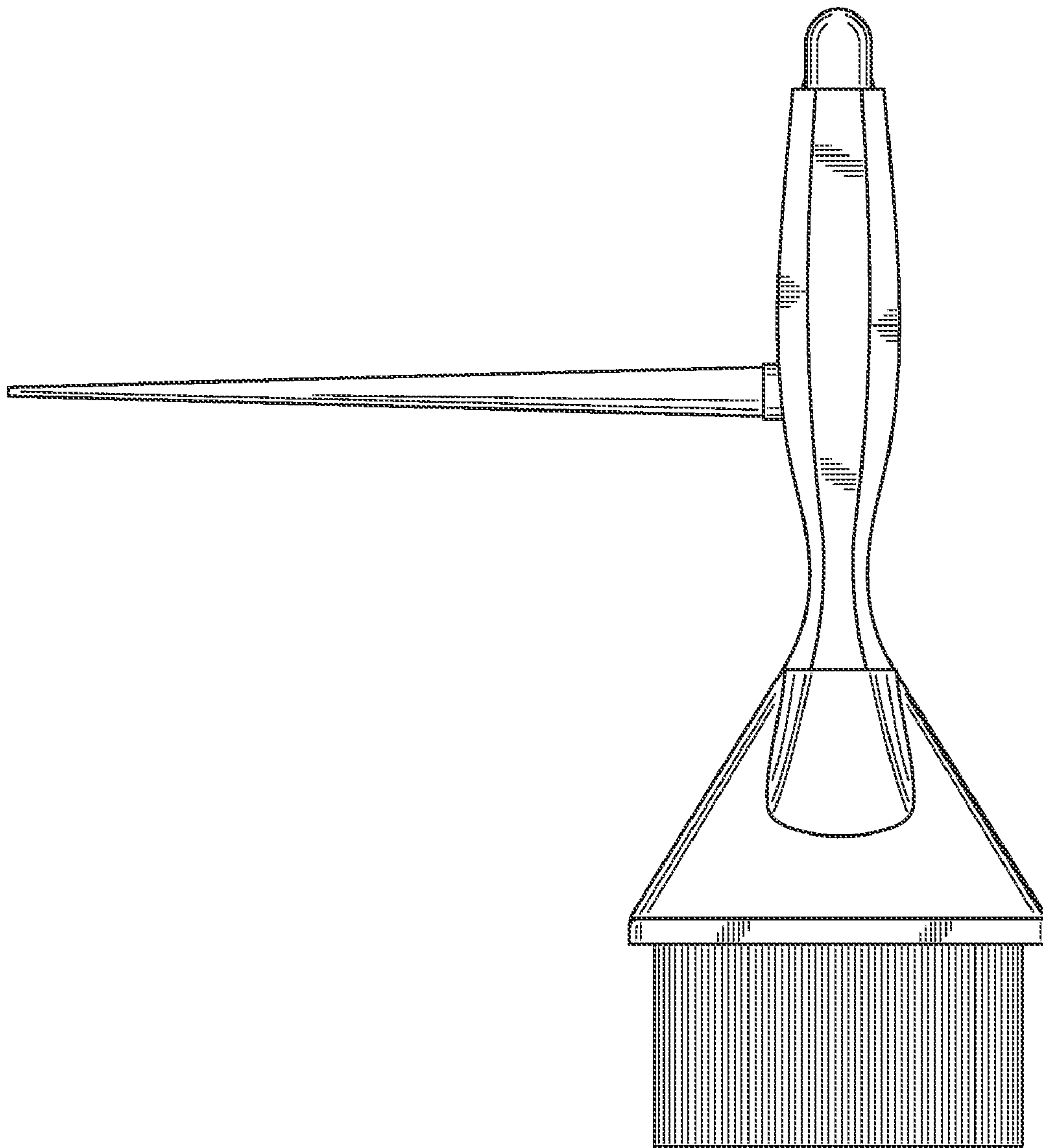


FIG. 3

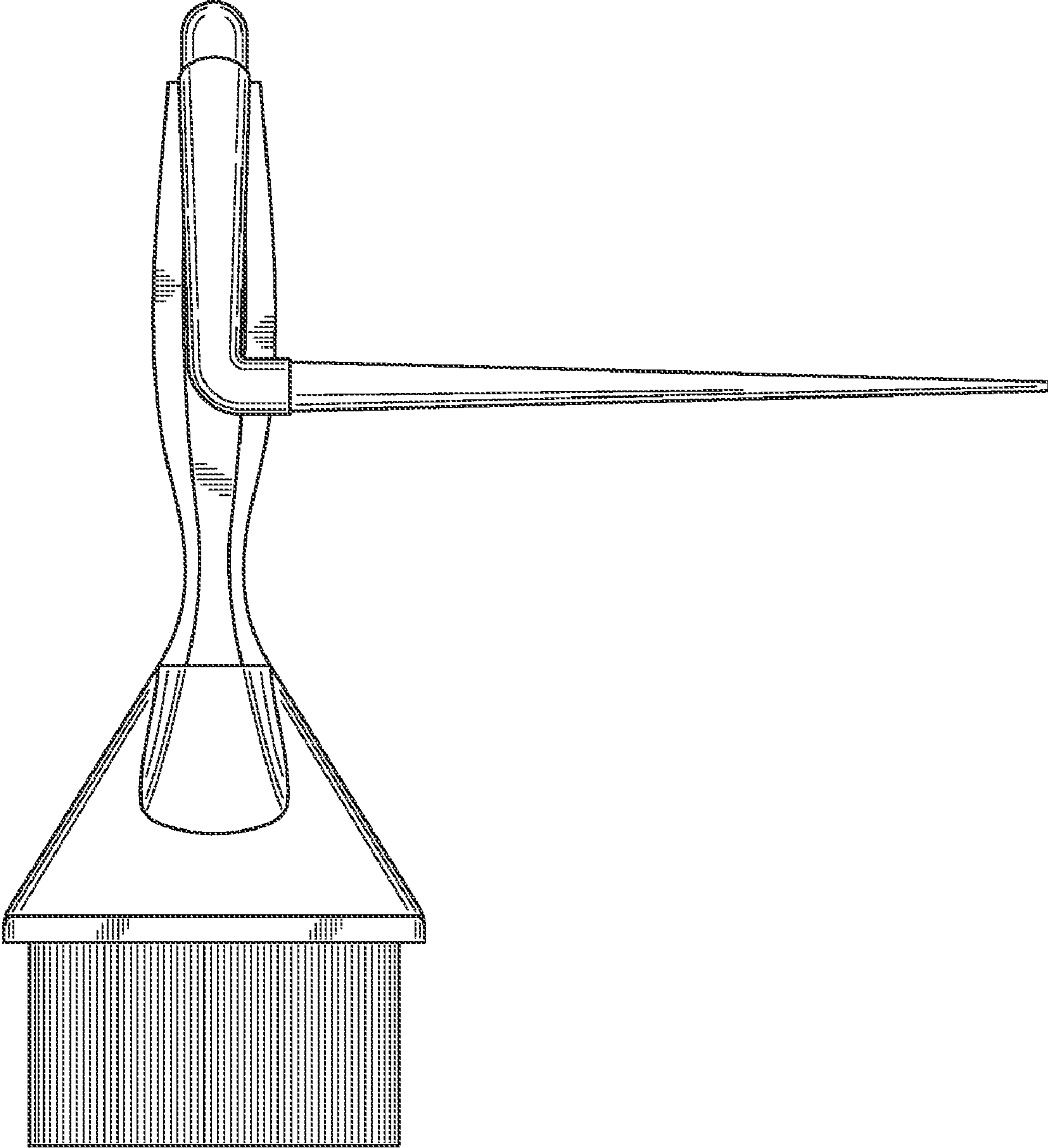


FIG. 4

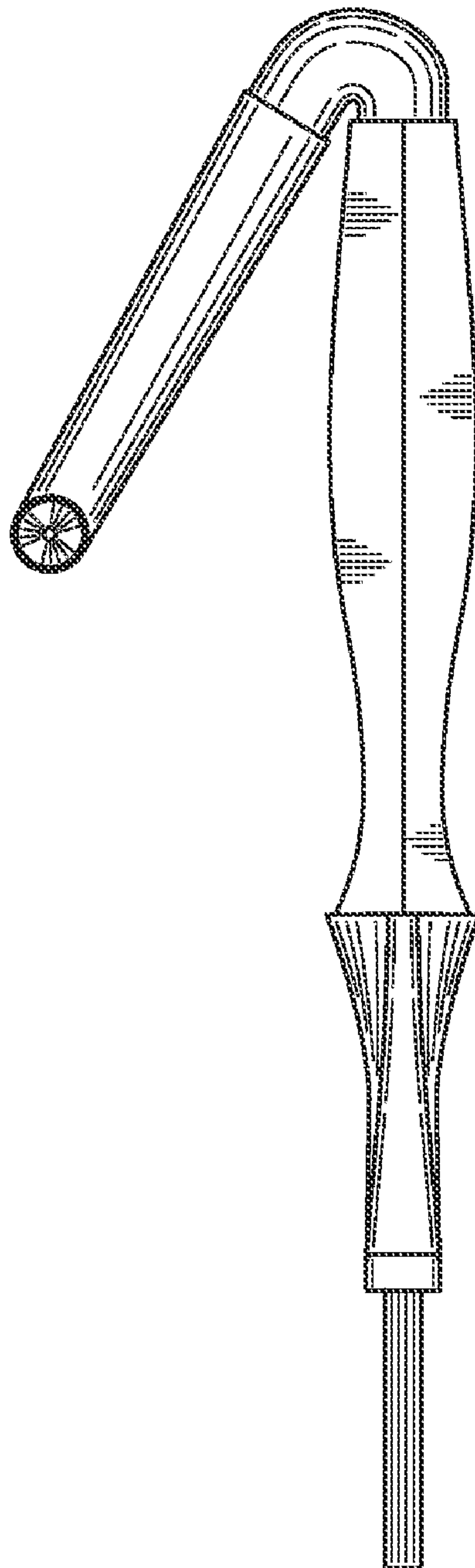


FIG. 5

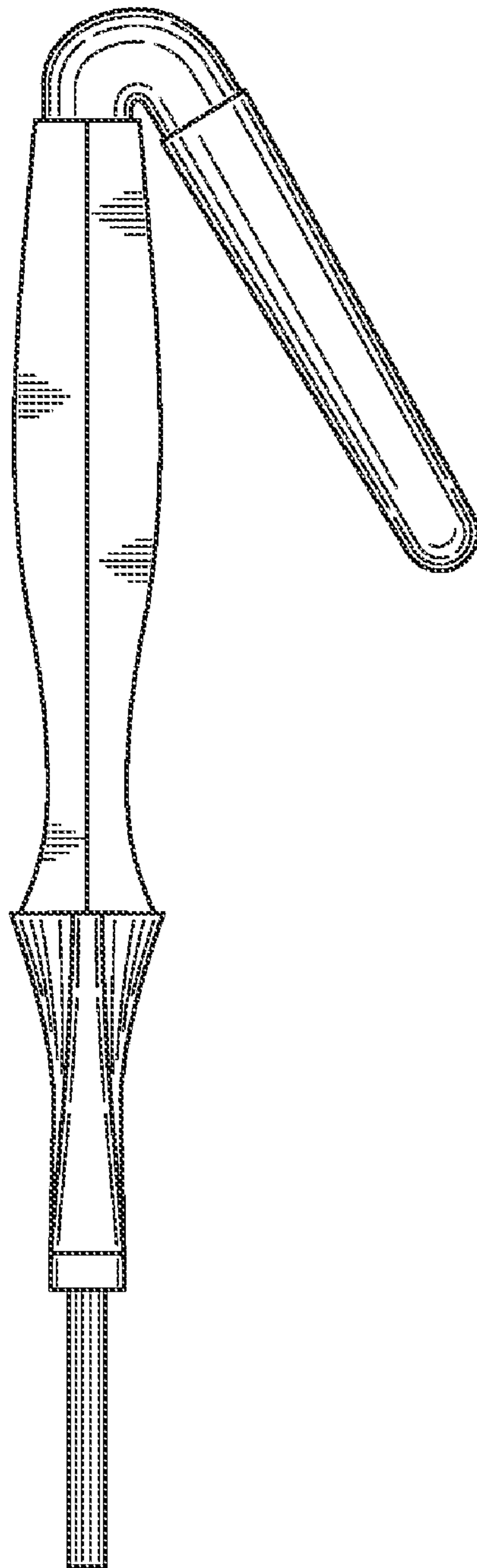


FIG. 6

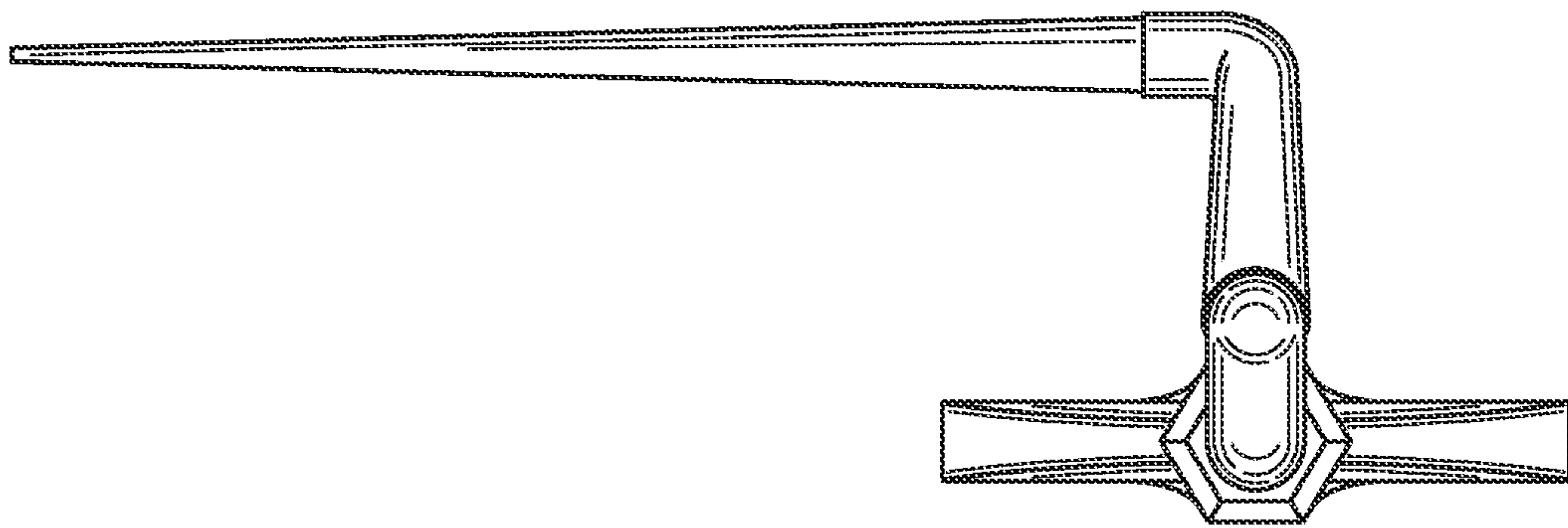


FIG. 7

