



US00D634933S

(12) **United States Design Patent**
Hertaus

(10) **Patent No.:** **US D634,933 S**
(45) **Date of Patent:** **** Mar. 29, 2011**

(54) **MULTIPLE BASKET CONTAINER**

(75) Inventor: **Alan R. Hertaus**, LeSueur, MN (US)

(73) Assignee: **Vision Home Products, Inc**, Le Sueur, MN (US)

(**) Term: **14 Years**

(21) Appl. No.: **29/365,657**

(22) Filed: **Jul. 13, 2010**

(51) **LOC (9) Cl.** **03-01**

(52) **U.S. Cl.** **D3/306**

(58) **Field of Classification Search** D3/304;
D19/75; D6/566-567, 569, 512; 211/10,
211/13.1, 52, 55, 126.9, 41.4, 126.1, 181.1;
220/485-486; 206/202, 513

See application file for complete search history.

D567,030 S *	4/2008	Goodman et al.	D7/601
D569,691 S *	5/2008	Goodman et al.	D7/601
D578,762 S *	10/2008	Smith et al.	D3/306
D608,598 S *	1/2010	Goodman et al.	D7/601
D616,252 S *	5/2010	Goodman et al.	D7/601
D619,362 S *	7/2010	Hertaus	D3/306
D619,363 S *	7/2010	Hertaus	D3/306
D620,709 S *	8/2010	Hertaus	D3/306
D620,710 S *	8/2010	Hertaus	D3/306
D620,711 S *	8/2010	Hertaus	D3/306
D622,107 S *	8/2010	Goodman et al.	D7/601
D622,961 S *	9/2010	Hertaus	D3/306

* cited by examiner

Primary Examiner — Elizabeth A Albert

Assistant Examiner — Kelley A Donnelly

(74) *Attorney, Agent, or Firm* — Haugen Law Firm PLLP

(57) **CLAIM**

The ornamental design for a multiple basket container, as shown and described.

(56) **References Cited**

U.S. PATENT DOCUMENTS

RE6,125 E *	11/1874	Sherwood	211/74
684,003 A *	10/1901	Steppe	211/85.12
2,732,096 A *	1/1956	Siciliano	220/769
3,979,856 A *	9/1976	Belcher	47/76
4,062,148 A *	12/1977	Edmonds et al.	47/76
4,250,664 A *	2/1981	Remke	47/76
4,287,840 A *	9/1981	Weidner	111/101
D563,708 S *	3/2008	Snell	D6/566
D563,709 S *	3/2008	Snell	D6/566

DESCRIPTION

FIG. 1 is a perspective view of the design;

FIG. 2 is a side elevational view of the design;

FIG. 3 is a top plan of the design; and,

FIG. 4 is a bottom plan of the design.

The broken lines are for the purpose of illustrating the environment of the article only and form no part of the claimed design.

1 Claim, 3 Drawing Sheets

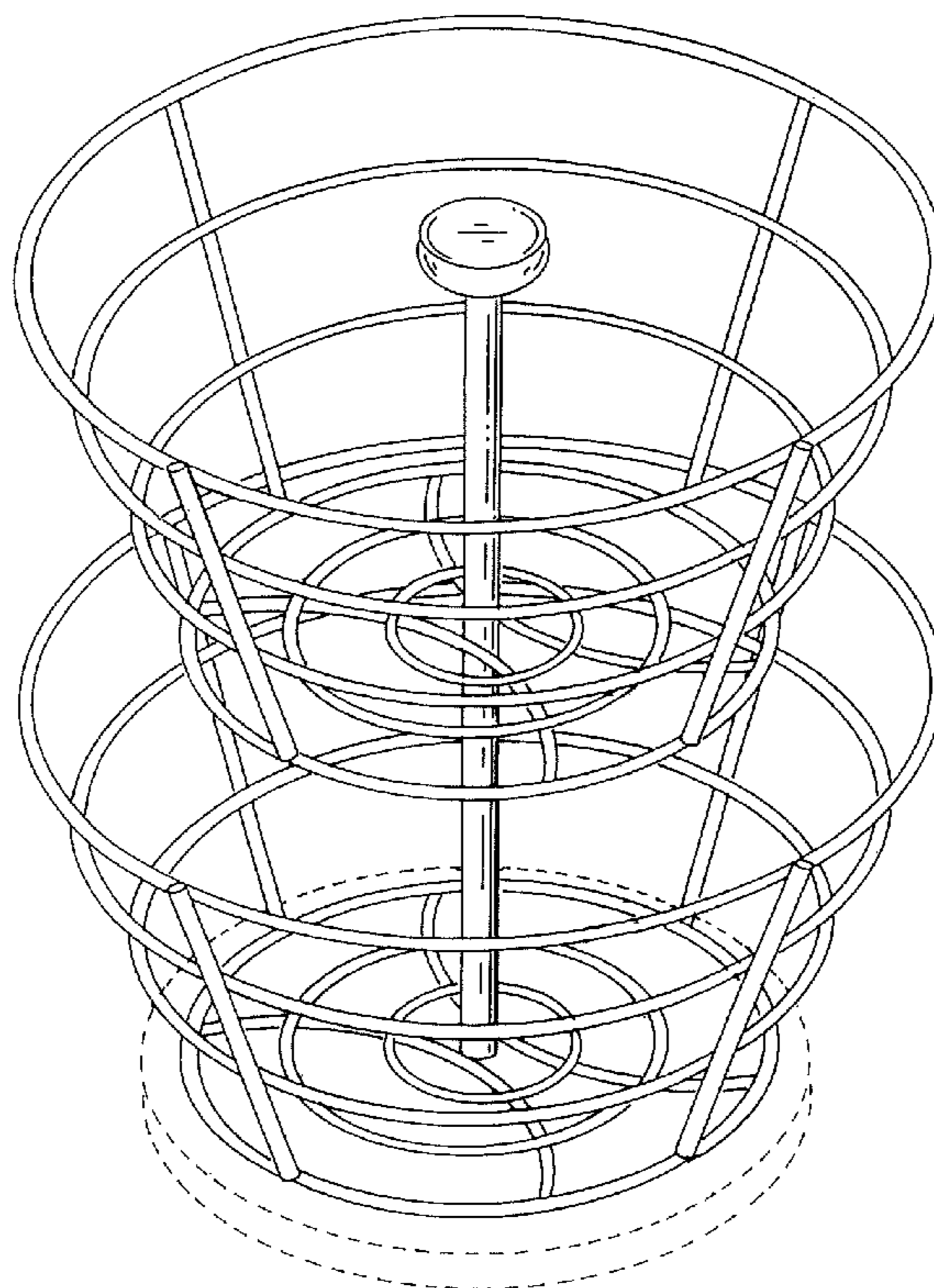


Fig.-1

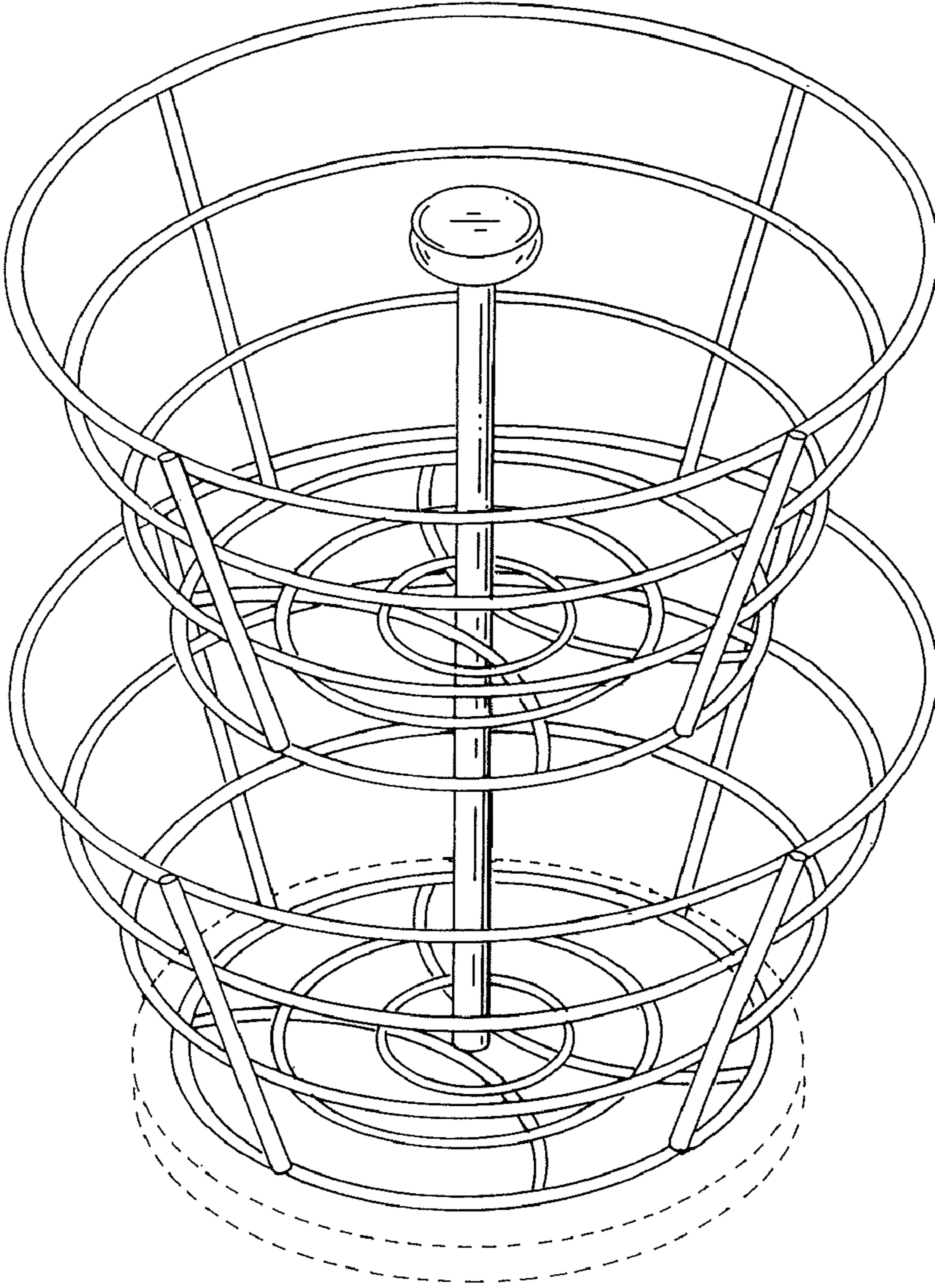
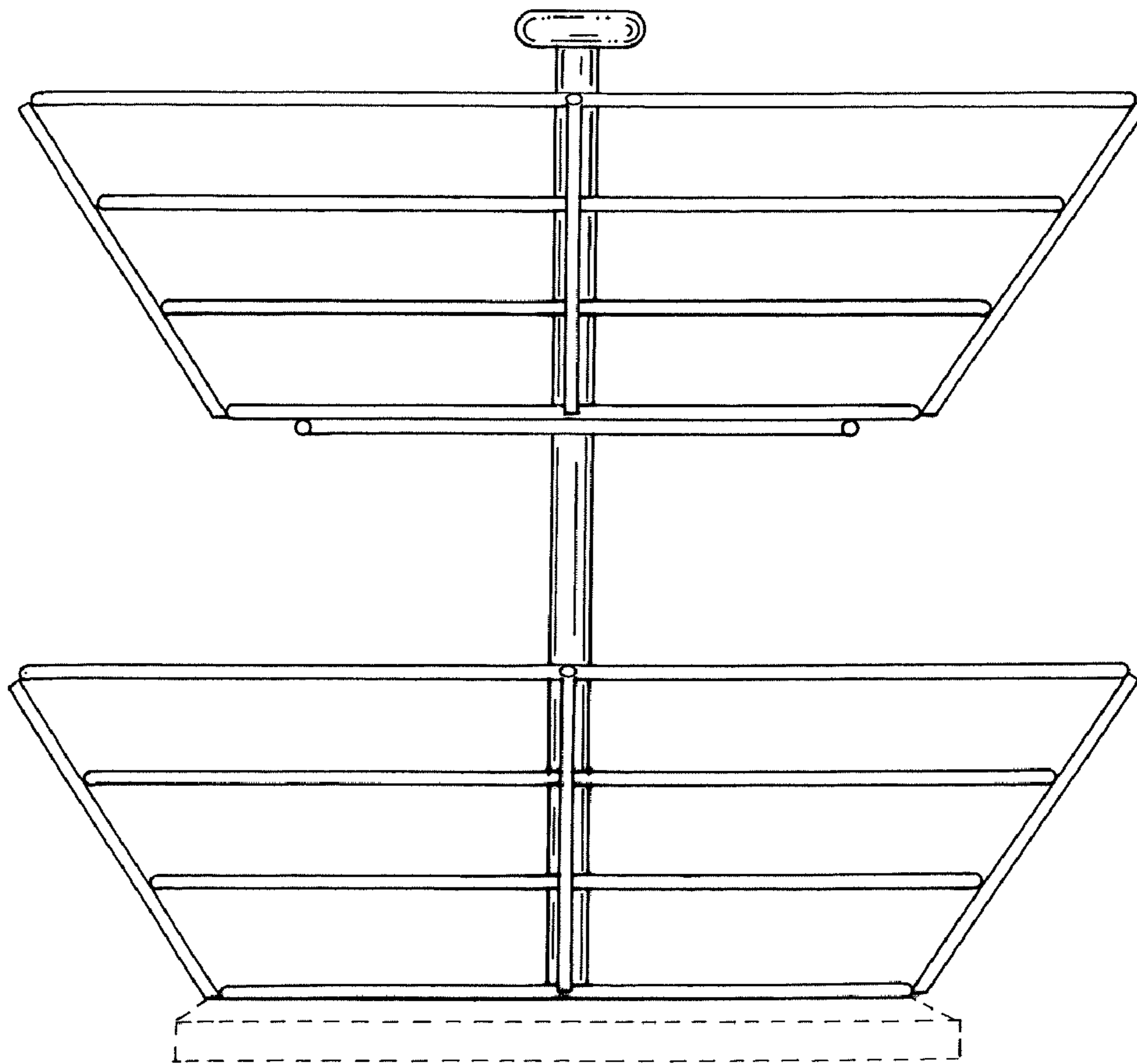


Fig.-2



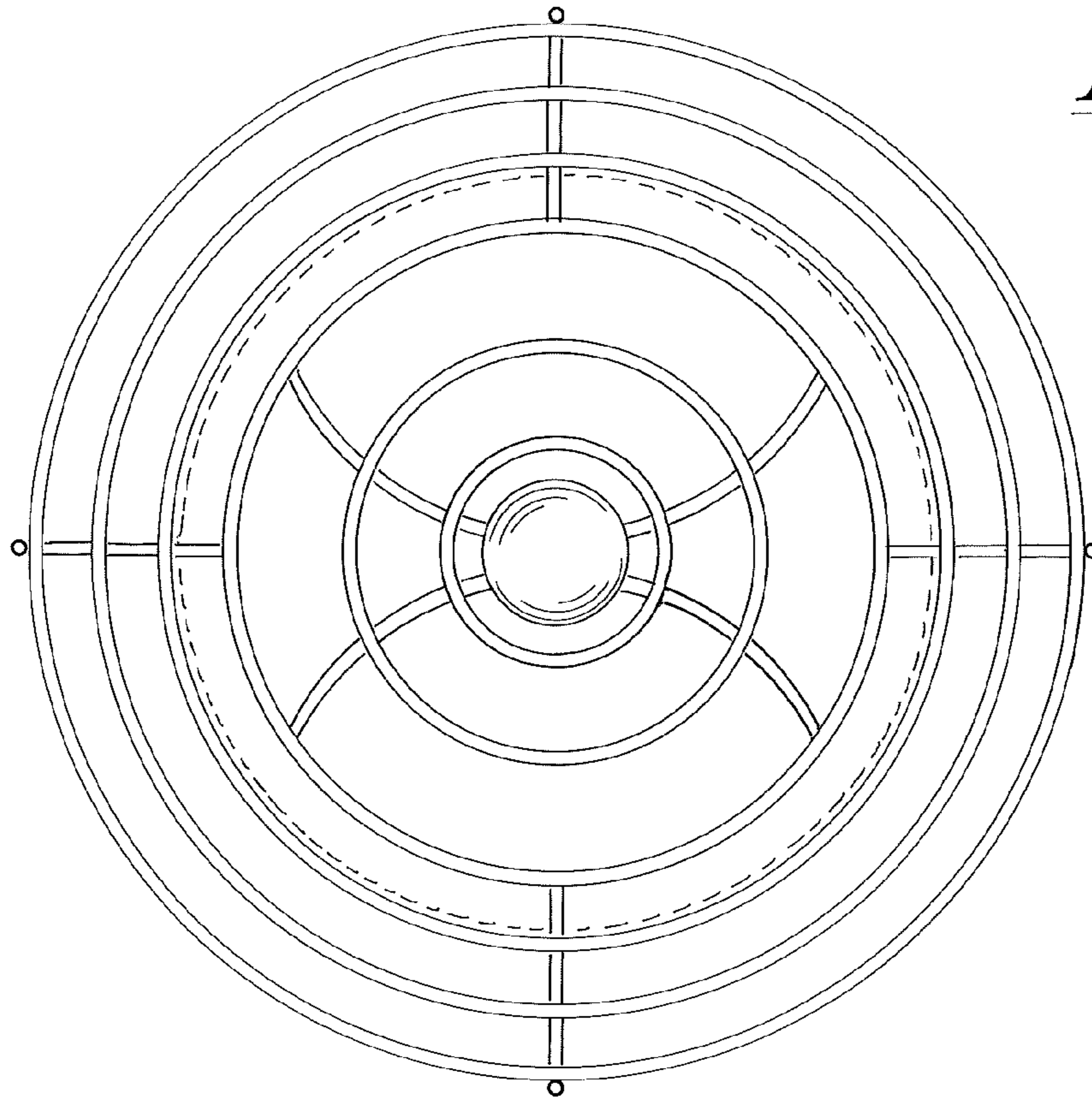


Fig. -3

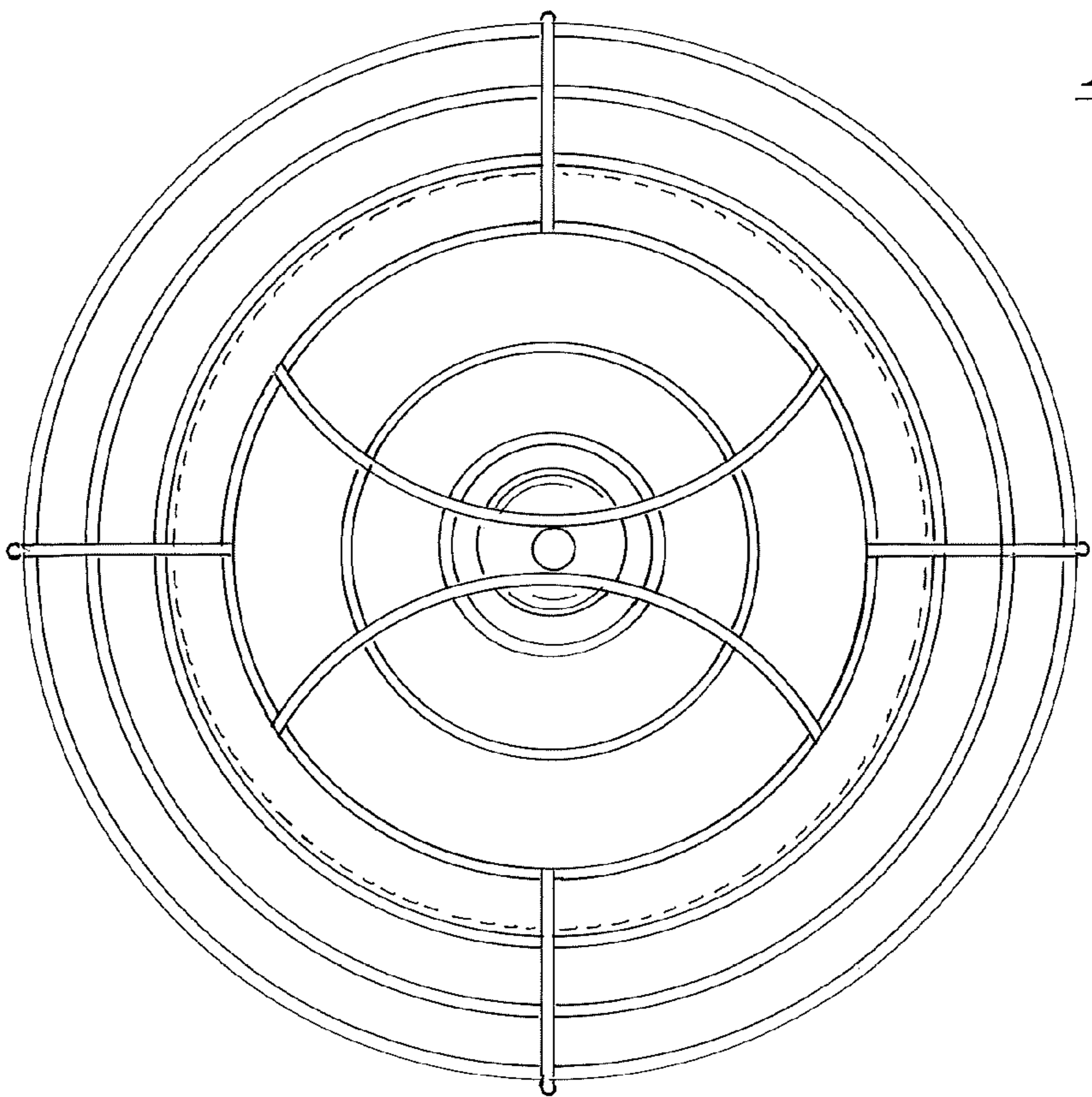


Fig. -4