



US00D634930S

(12) **United States Design Patent**
Lalo

(10) **Patent No.:** **US D634,930 S**

(45) **Date of Patent:** **** Mar. 29, 2011**

(54) **CASE**

(76) **Inventor:** **Abraham Lalo**, Hollywood, FL (US)

(**) **Term:** **14 Years**

(21) **Appl. No.:** **29/368,861**

(22) **Filed:** **Aug. 31, 2010**

(51) **LOC (9) Cl.** **03-01**

(52) **U.S. Cl.** **D3/276; D3/294**

(58) **Field of Classification Search** D3/273,
D3/274, 276, 280–284, 286, 288, 291, 292,
D3/294–295, 905; 206/349, 372–379, 803;
220/523, 527; 190/115, 900

See application file for complete search history.

(56) **References Cited**

U.S. PATENT DOCUMENTS

D318,373 S *	7/1991	Uke et al.	D3/292
D419,297 S *	1/2000	Richardson et al.	D3/273
D419,768 S *	2/2000	Richardson et al.	D3/273
D462,519 S *	9/2002	Gaydos et al.	D3/276
D472,384 S *	4/2003	Richardson	D3/273
D516,807 S *	3/2006	Richardson et al.	D3/273
D520,237 S *	5/2006	Cheng	D3/276
D523,242 S *	6/2006	Hardigg et al.	D3/276

D578,759 S *	10/2008	Grenier et al.	D3/294
D579,202 S	10/2008	Grenier et al.	
D605,853 S *	12/2009	Horiyama et al.	D3/281
2008/0307835 A1	12/2008	Grenier et al.	

* cited by examiner

Primary Examiner — Jennifer Rivard

(74) *Attorney, Agent, or Firm* — Howard Natter; Natter & Natter

(57) **CLAIM**

The ornamental design for a case, as shown and described.

DESCRIPTION

FIG. 1 is a plan view of a case showing the new design.

FIG. 2 is a front elevation view of the case of FIG. 1.

FIG. 3 is a left side view of the case of FIG. 1.

FIG. 4 is a right side view of the case of FIG. 1.

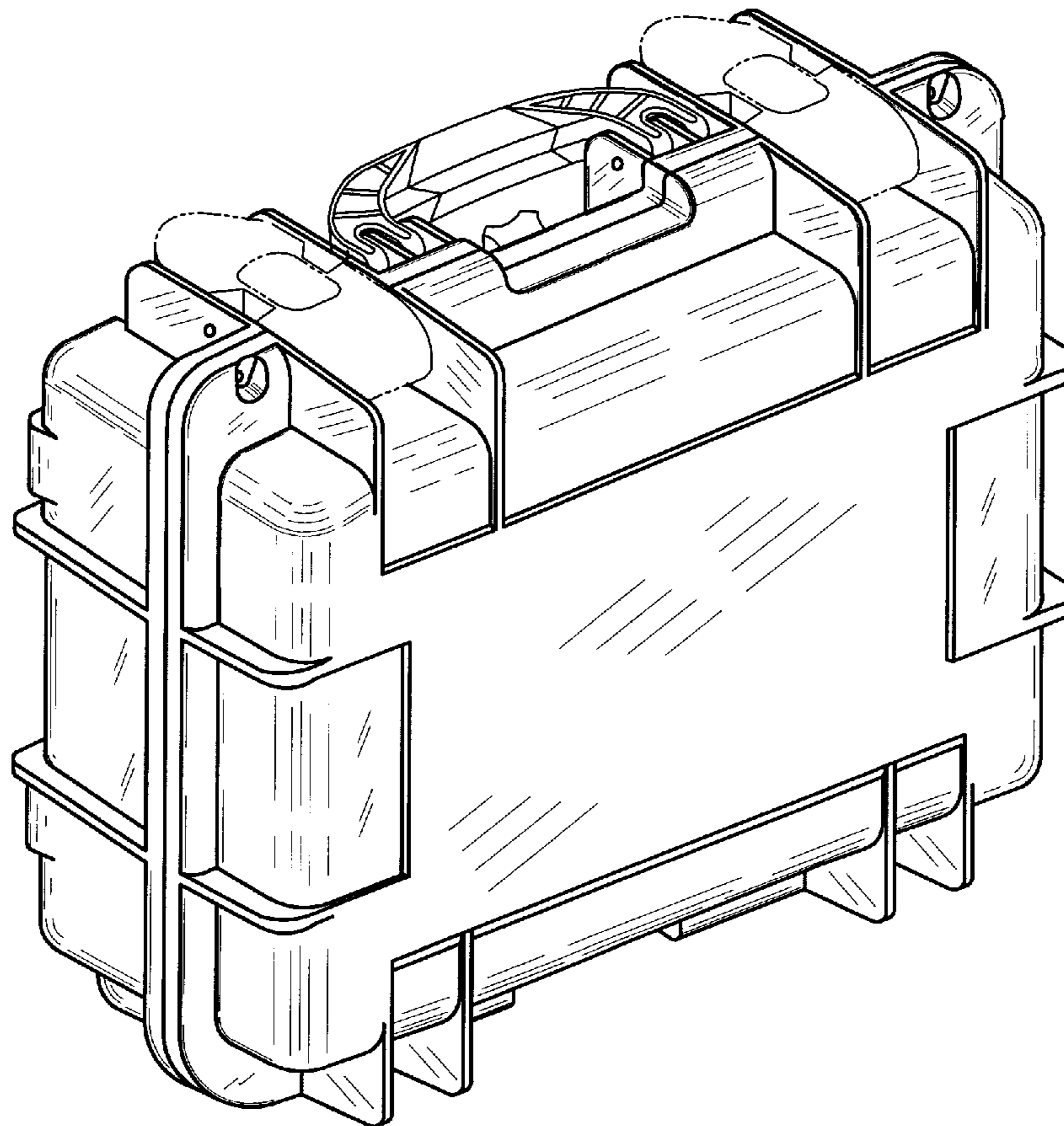
FIG. 5 is a rear elevation view of the case of FIG. 1.

FIG. 6 is a bottom plan view of the case of FIG. 1; and,

FIG. 7 is a top left perspective view of the case of FIG. 1.

The broken lines shown in the drawings illustrate portions of the article and form no part of the claimed design.

1 Claim, 7 Drawing Sheets



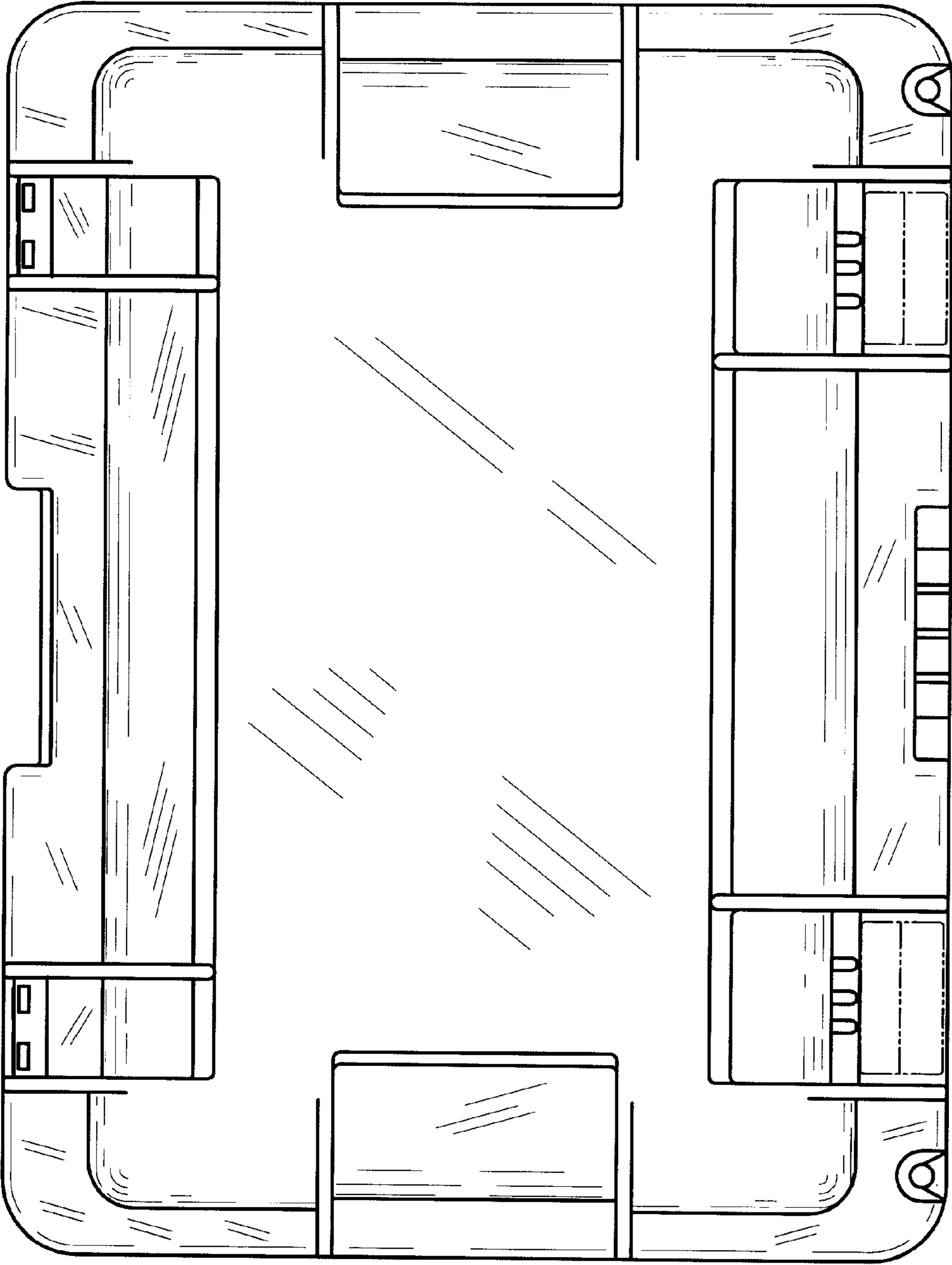


FIG.1

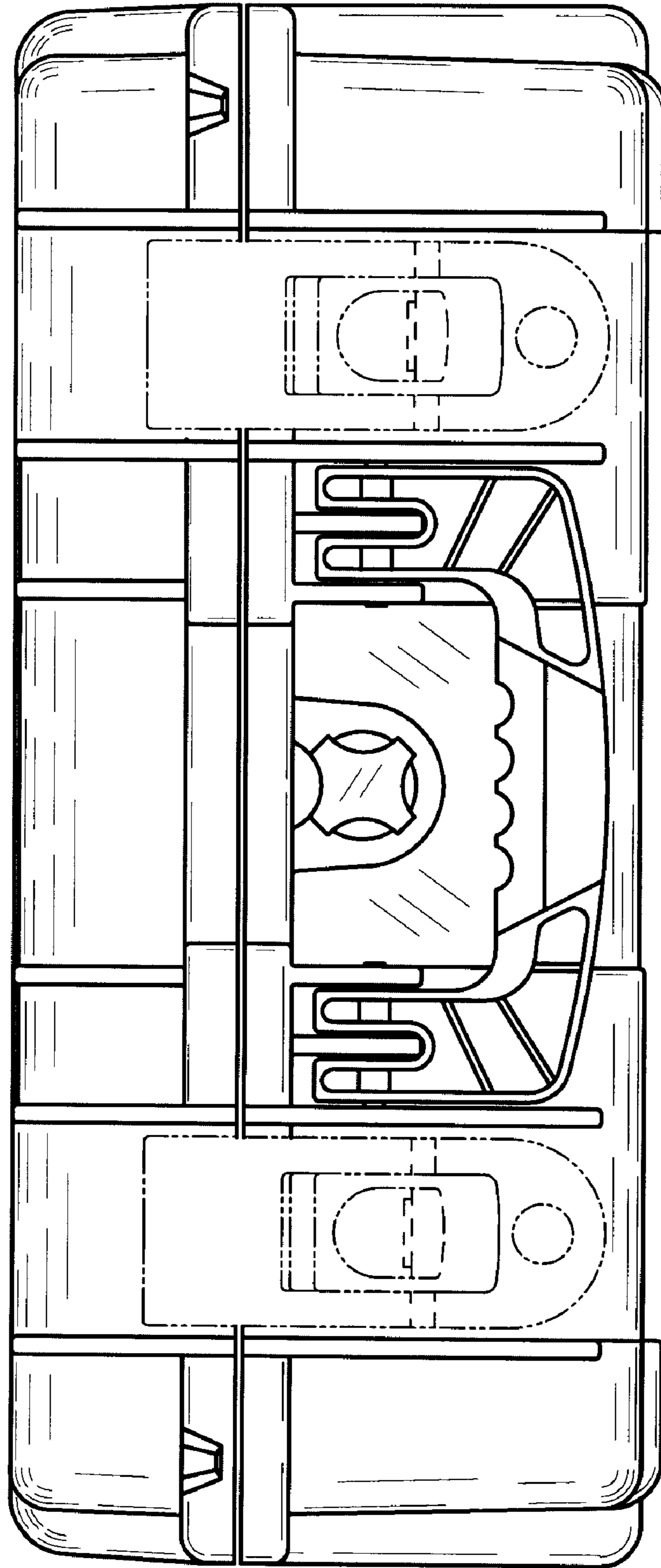


FIG.2

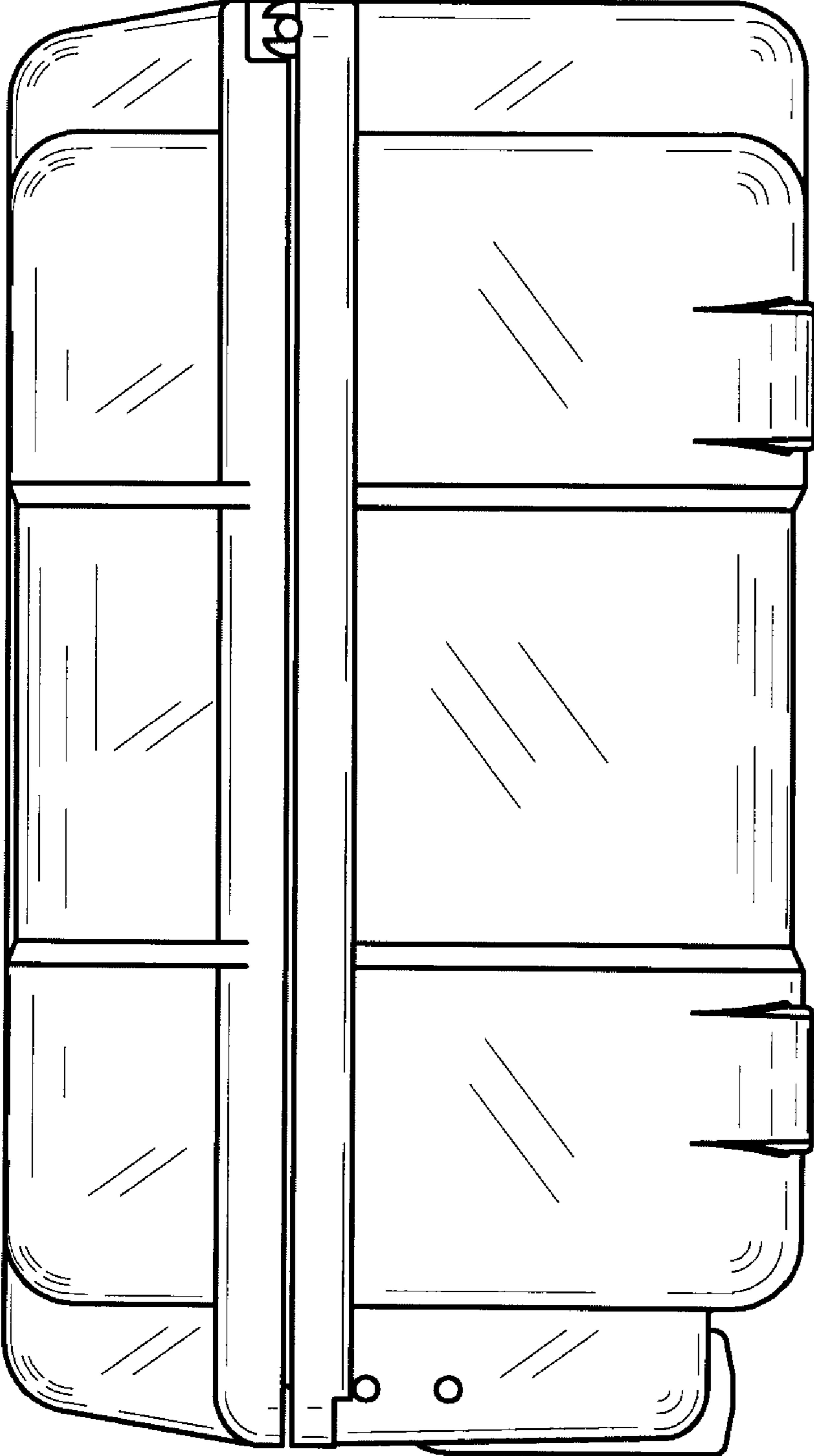


FIG. 3

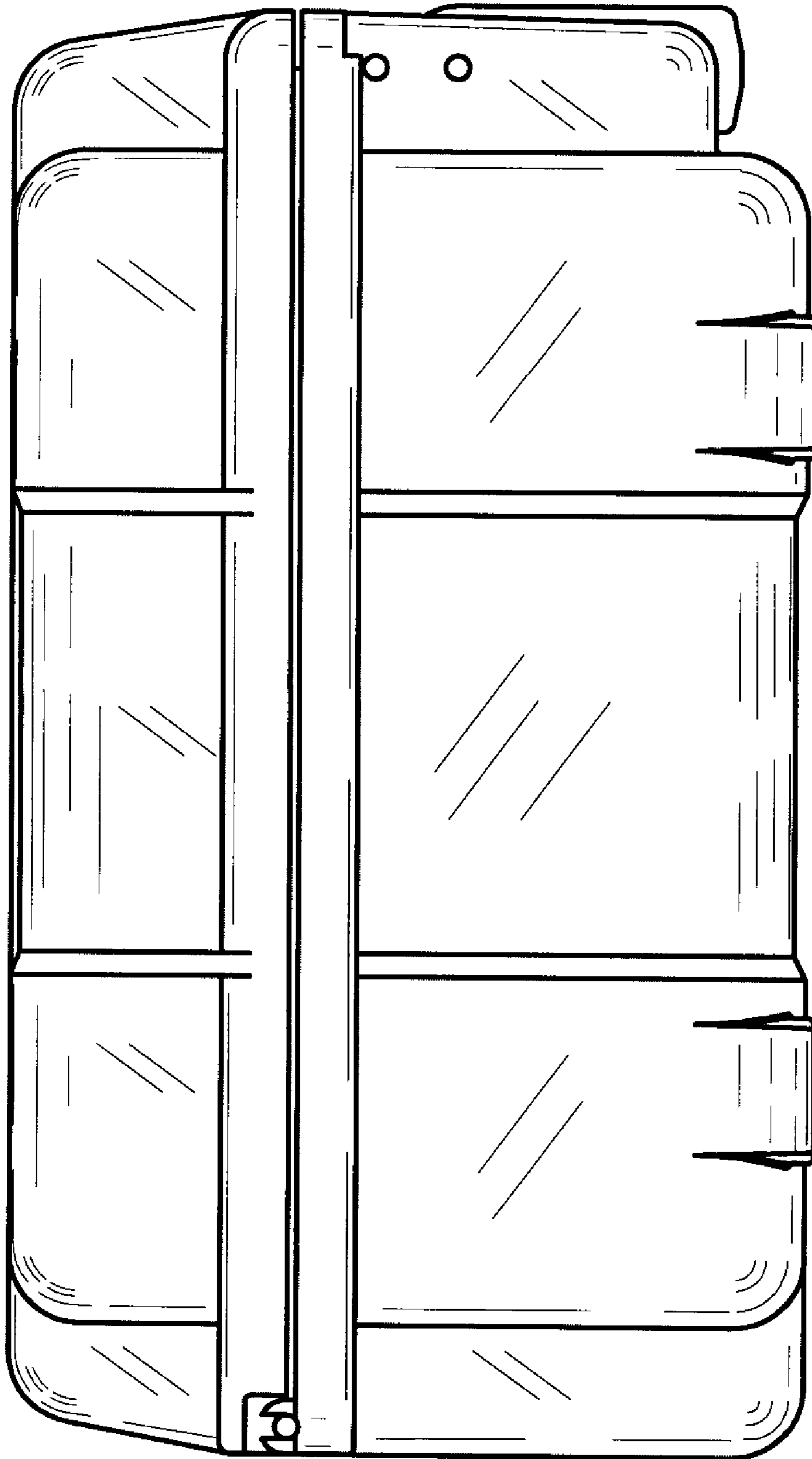


FIG.4

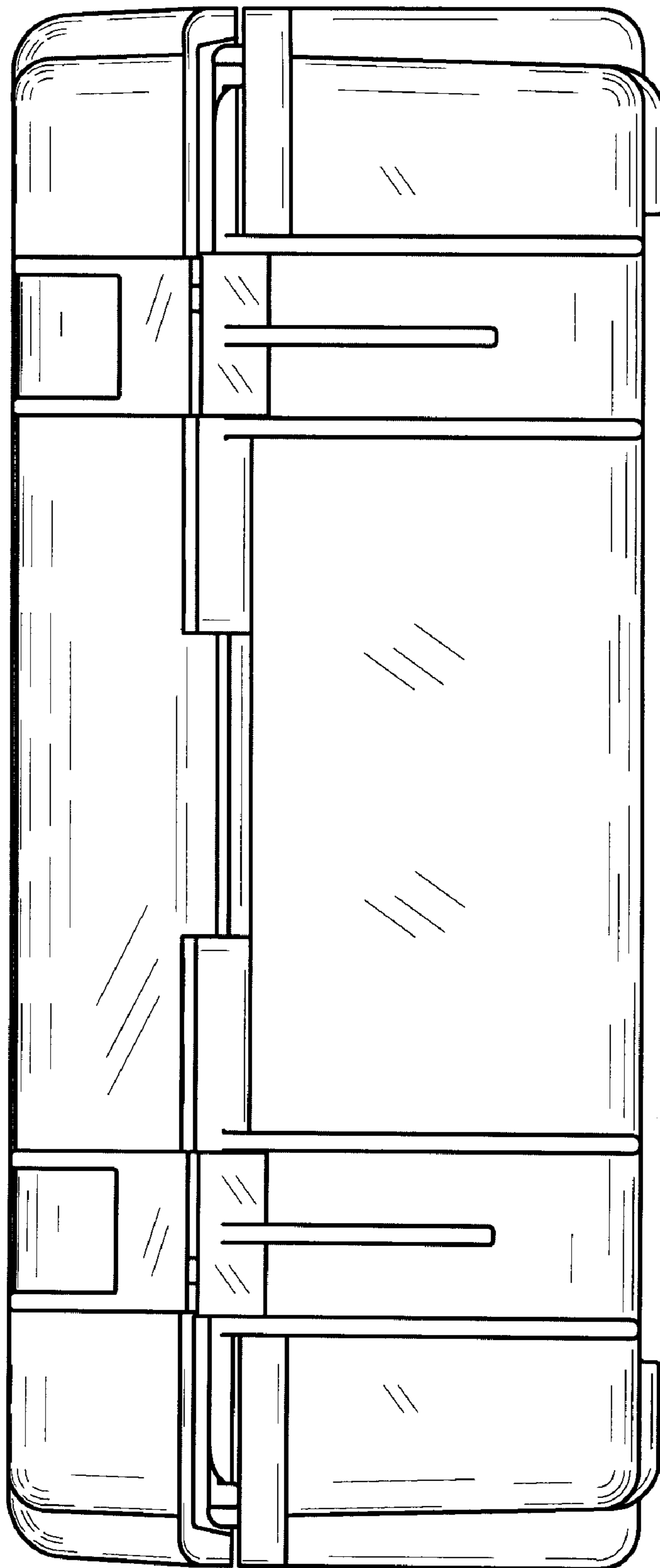


FIG. 5

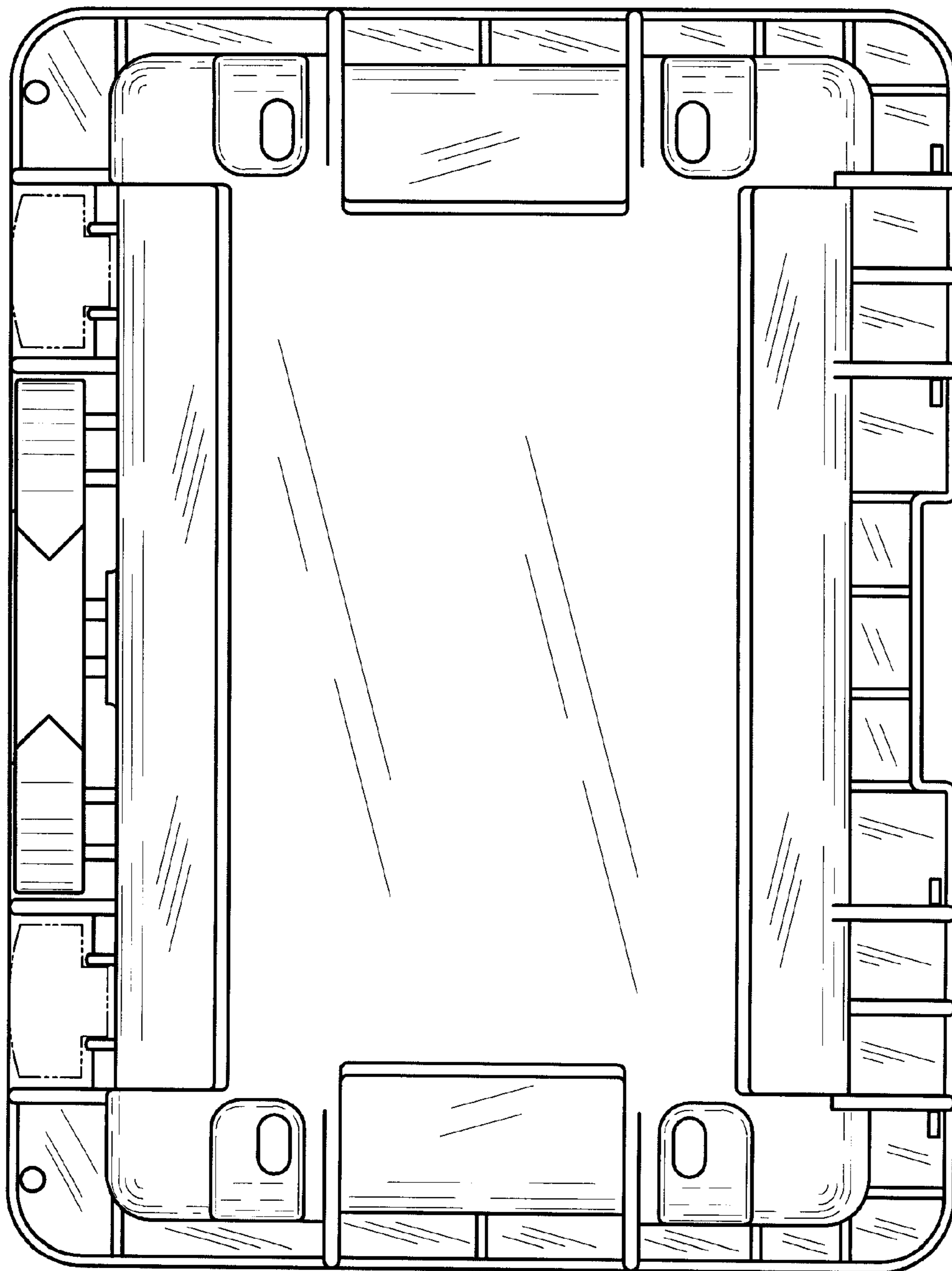


FIG.6

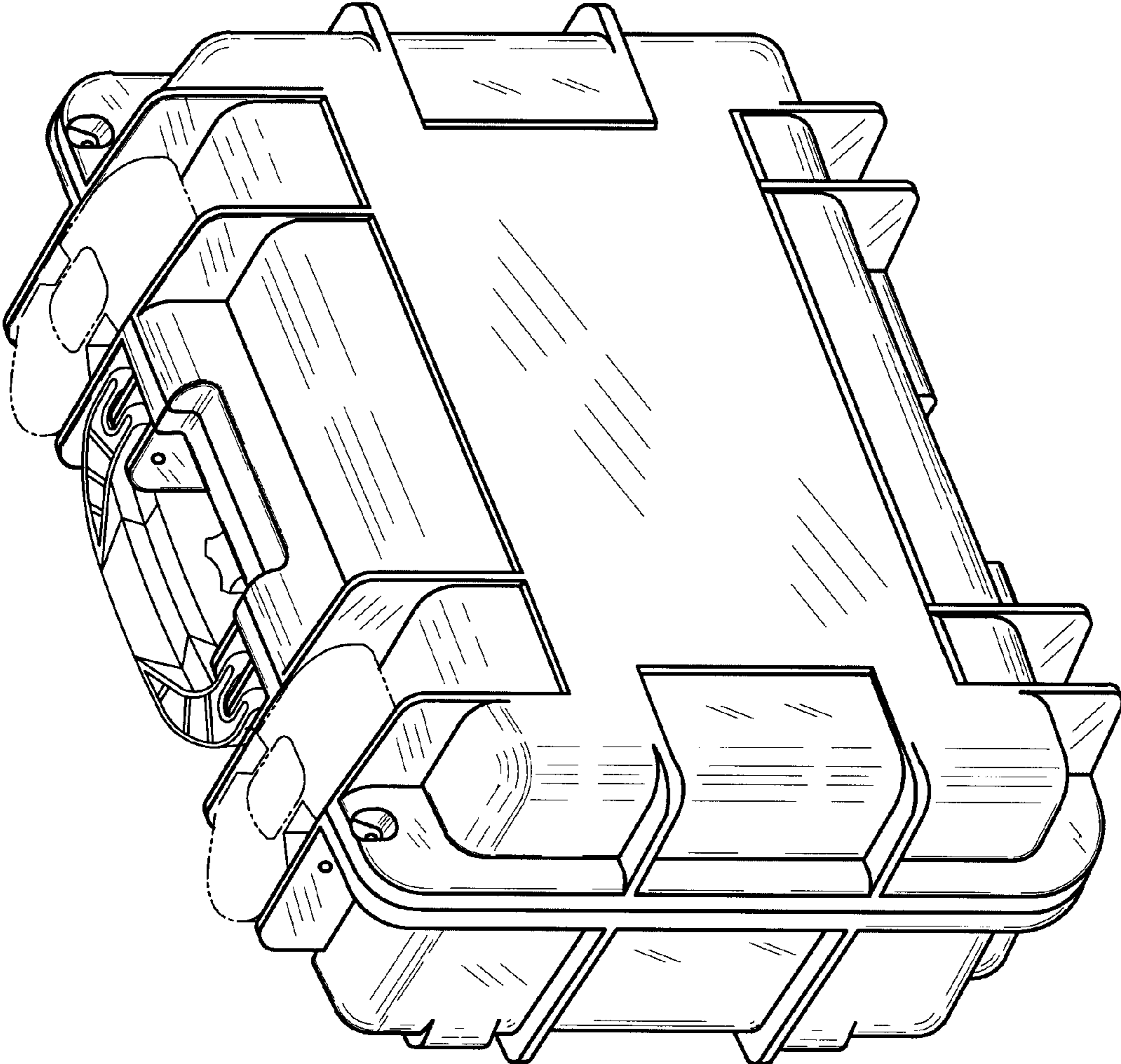


FIG. 7