



US00D634929S

(12) **United States Design Patent**
Bizzell

(10) **Patent No.:** **US D634,929 S**

(45) **Date of Patent:** **** Mar. 29, 2011**

(54) **CASE**

(75) **Inventor:** **Daniel Lee Bizzell**, Davidson, NC (US)

(73) **Assignee:** **Westpoint Home, Inc.**, New York, NY (US)

(**) **Term:** **14 Years**

(21) **Appl. No.:** **29/343,570**

(22) **Filed:** **Sep. 15, 2009**

(51) **LOC (9) Cl.** **03-01**

(52) **U.S. Cl.** **D3/276**

(58) **Field of Classification Search** D3/273,
D3/276, 283, 286, 289, 301, 318, 321, 323,
D3/902, 904; 190/100, 102, 107, 111, 115,
190/119, 18 A, 903; 383/6

See application file for complete search history.

(56) **References Cited**

U.S. PATENT DOCUMENTS

2,425,035	A *	8/1947	Garnett et al.	190/107
2,453,663	A *	11/1948	Hinson	190/100
D163,552	S *	6/1951	Adams	D3/286
2,821,338	A	1/1958	Metzger	
D254,525	S *	3/1980	Davis	D3/289
D259,223	S *	5/1981	Stark	D3/289
4,301,849	A *	11/1981	Litwack et al.	150/103
D265,352	S *	7/1982	Stark	D3/289
4,378,866	A *	4/1983	Pelavin	190/111
D269,479	S *	6/1983	Pelavin	D3/283
D270,969	S *	10/1983	Stark	D3/289
D273,912	S *	5/1984	Davis	D3/289
D279,234	S *	6/1985	Heine	D3/289
4,532,652	A	7/1985	Herrington	
D281,122	S *	10/1985	Bomes et al.	D3/287
D288,033	S *	2/1987	Lodico et al.	D3/289
D288,863	S *	3/1987	Vuitton	D3/289
4,733,759	A *	3/1988	Shih-Chen	190/18 A
4,830,153	A *	5/1989	Saliba	190/102

D320,306	S *	10/1991	Schwartz	D3/289
5,203,458	A	4/1993	Cornwell	
D346,694	S *	5/1994	Cyr et al.	D3/287
D346,901	S *	5/1994	Dulka et al.	D3/289
D360,977	S *	8/1995	Katz	D3/276
D398,082	S *	9/1998	Martz	D30/109
6,116,781	A	9/2000	Skeens	
D458,749	S *	6/2002	Bruni et al.	D3/289
D480,209	S *	10/2003	Davis et al.	D3/289
6,846,107	B2	1/2005	Sweeney et al.	

(Continued)

OTHER PUBLICATIONS

Information Disclosure Statement (IDS) Letter Regarding Common Patent Application(s), dated Sep. 22, 2010.
U.S. Appl. No. 29/369,956 to Bizzell, filed Sep. 9, 2010.

(Continued)

Primary Examiner — Elizabeth A Albert

Assistant Examiner — Karen E Eldridge Powers

(74) *Attorney, Agent, or Firm* — Tillman Wright, PLLC; Chad D. Tillman; Jeremy C. Doerre

(57) **CLAIM**

The ornamental design for a case, as shown and described.

DESCRIPTION

FIG. 1 is a perspective view of a case in accordance with a preferred embodiment of the present invention.

FIG. 2 is a front view of the case of FIG. 1.

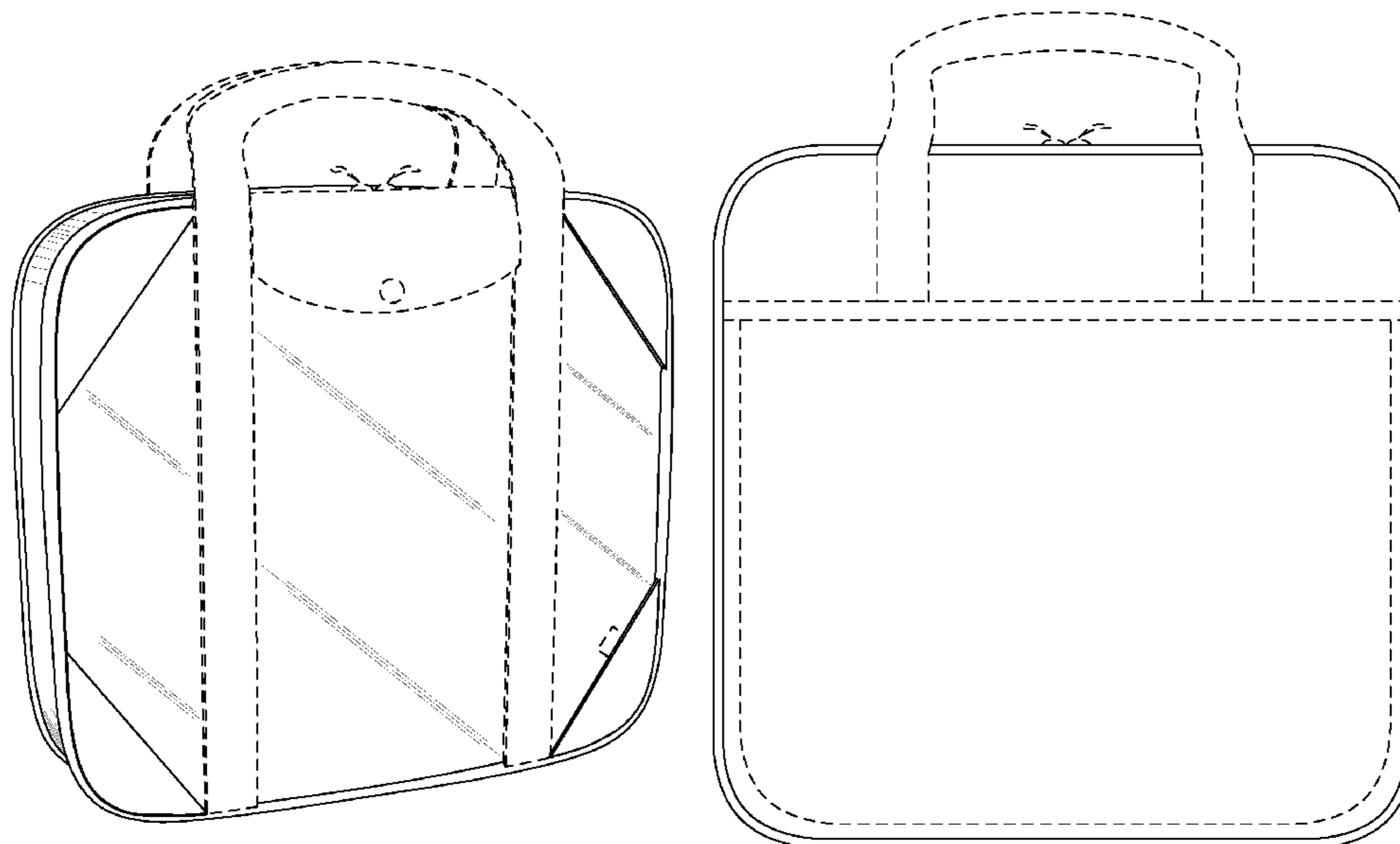
FIG. 3 is a rear view of the case of FIG. 1.

FIG. 4 is a top view of the case of FIG. 1; and,

FIG. 5 is a left side view of the case of FIG. 1, the right side view being a mirror image of the left side view.

Broken lines shown in the drawings are for the purpose of illustrating environmental structure and form no part of the claimed design.

1 Claim, 4 Drawing Sheets



US D634,929 S

Page 2

U.S. PATENT DOCUMENTS

D529,717 S * 10/2006 Brancky D3/285
D568,047 S * 5/2008 Brancky D3/284
D574,615 S * 8/2008 Picot et al. D3/289
2002/0125171 A1 9/2002 Kuske et al.
2005/0152801 A1 7/2005 Chen
2005/0155891 A1 7/2005 Chen
2009/0080809 A1 3/2009 Pham et al.

OTHER PUBLICATIONS

(Bed Bath & Beyond) Under Bed Space Bag Storage, [online],
[retrieved on Sep. 15, 2009] Retrieved from the Bed Bath & Beyond
product catalog using Internet <URL: [http://www.
bedbathandbeyond.com/product.asp?order_num=1&
SKU=13580227&RN=51.../](http://www.bedbathandbeyond.com/product.asp?order_num=1&SKU=13580227&RN=51.../)>, 1 page.

* cited by examiner

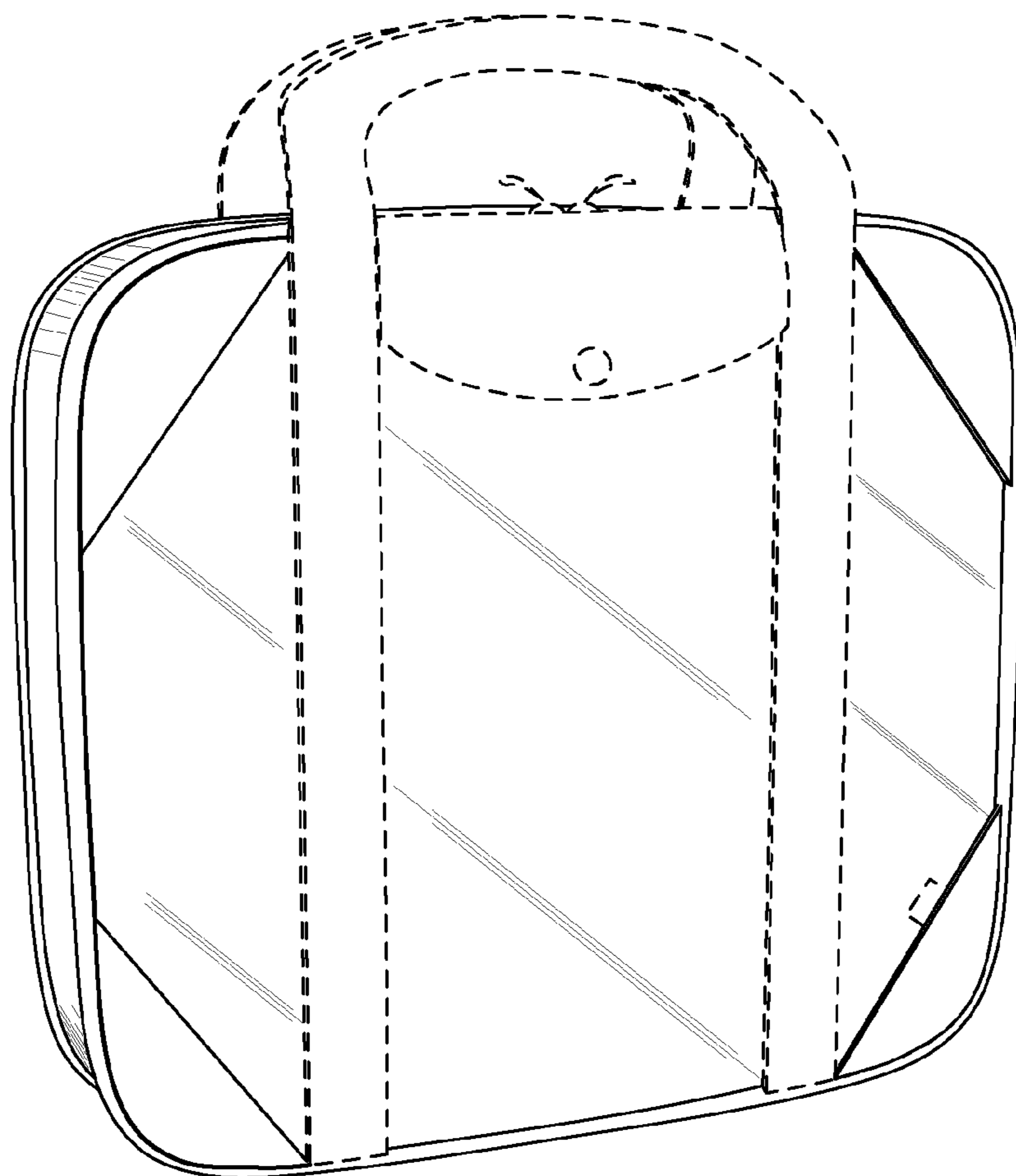


FIG. 1

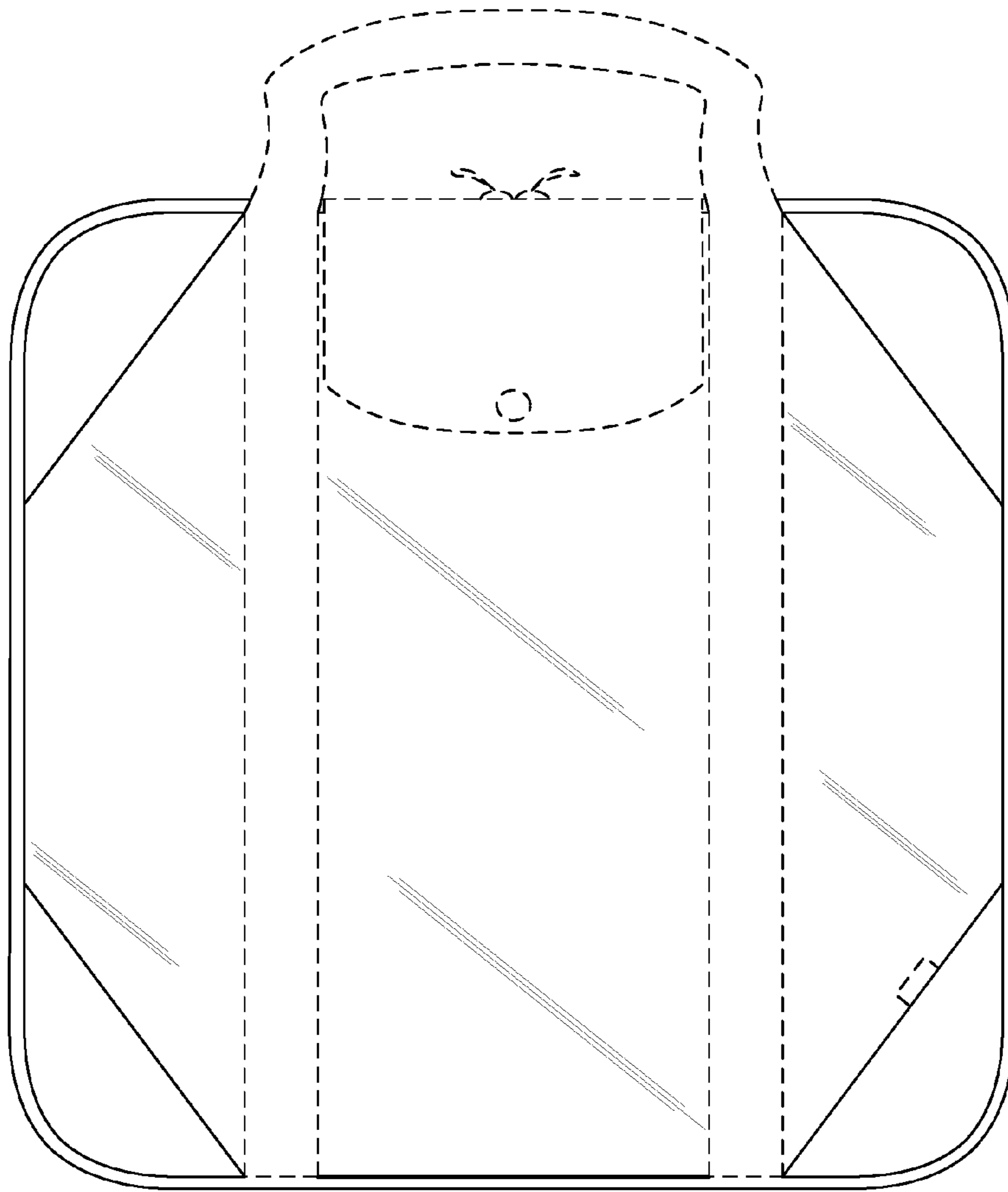


FIG. 2

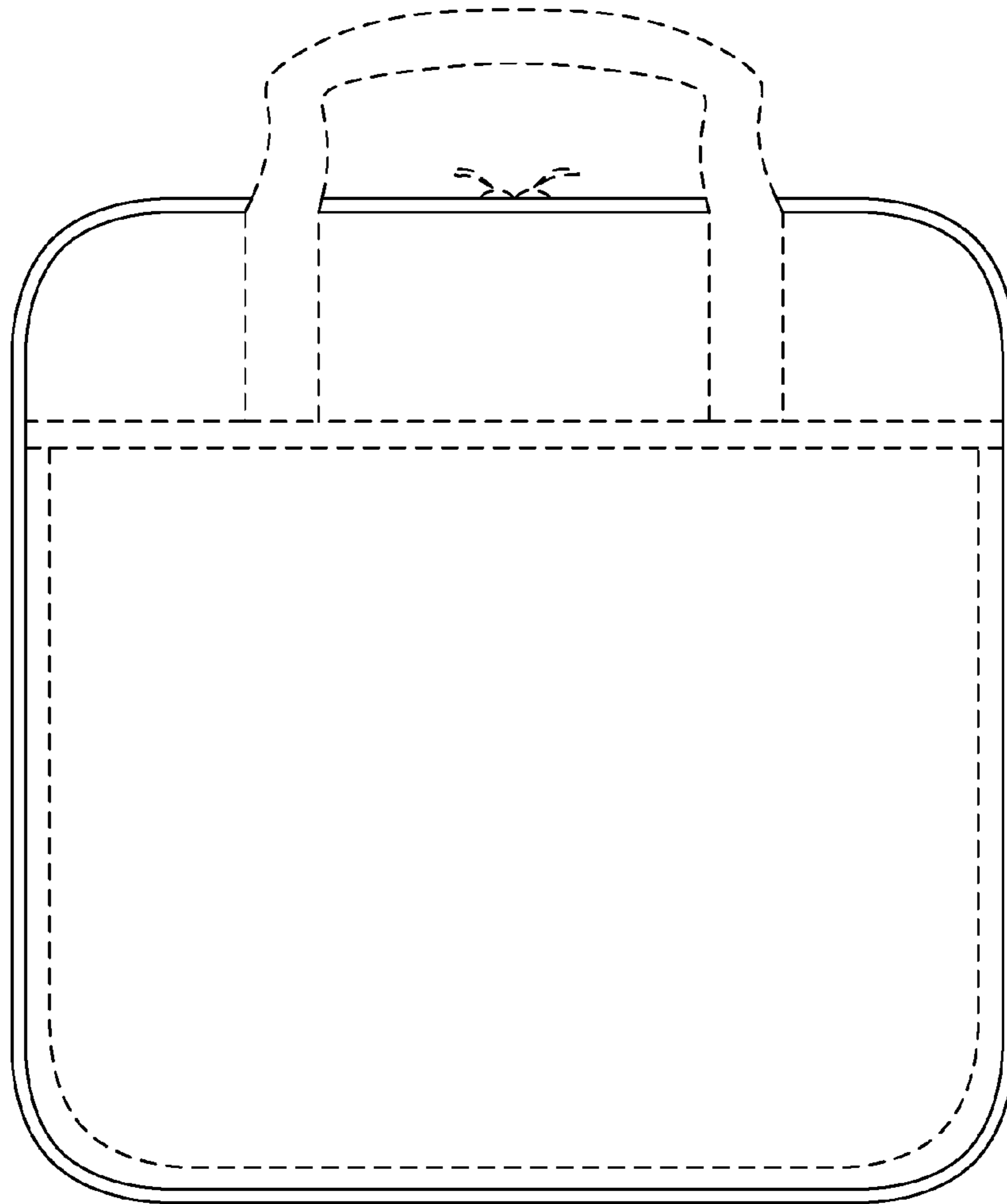


FIG. 3

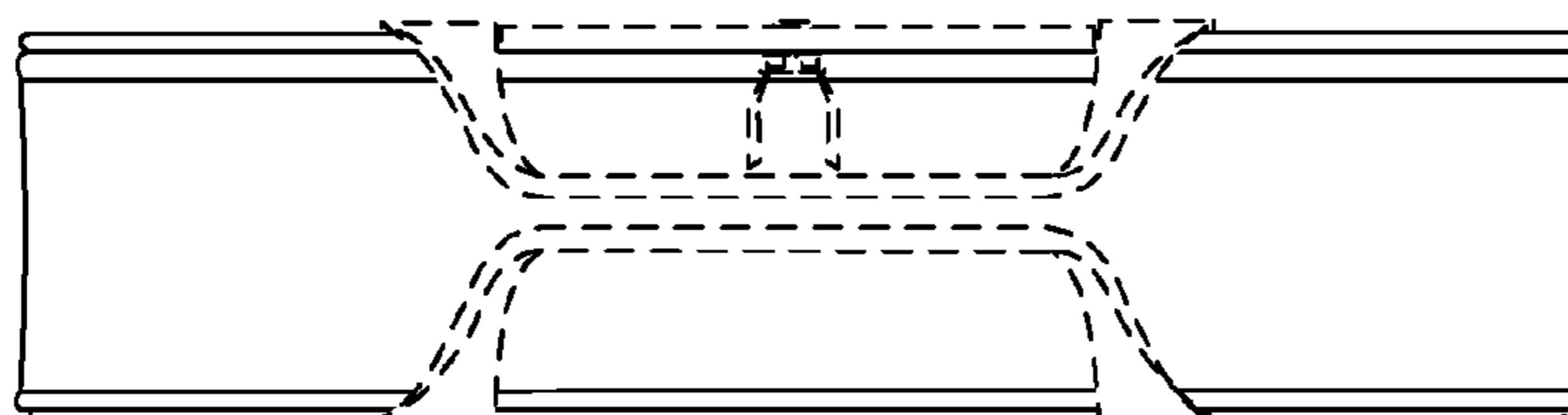


FIG. 4

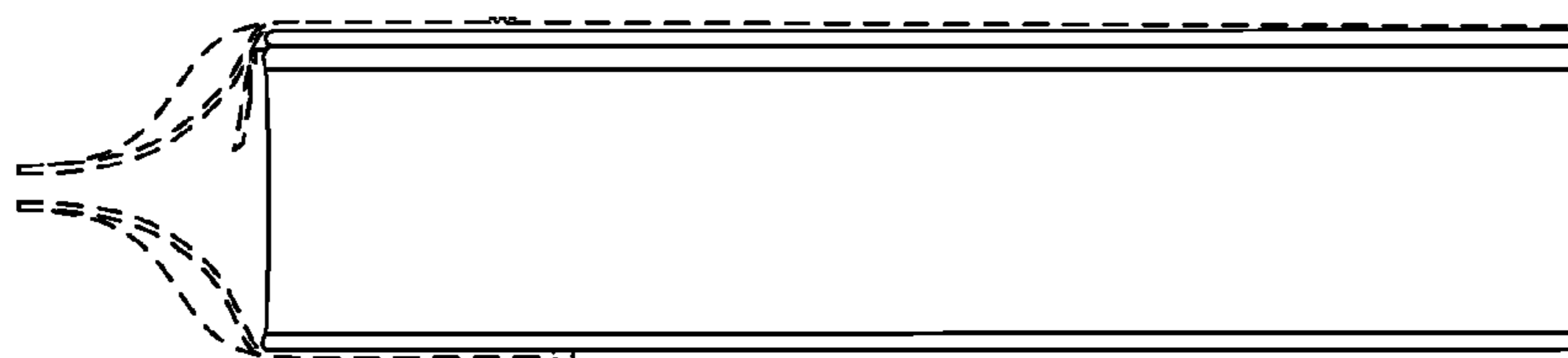


FIG. 5